

US00D497745S1

(12) **United States Design Patent**
Lenger

(10) **Patent No.:** **US D497,745 S**

(45) **Date of Patent:** **** Nov. 2, 2004**

(54) **CLOVERLEAF TABLE**

(75) **Inventor:** **Sidney A. Lenger**, Kernersville, NC
(US)

(73) **Assignee:** **American Signature, Inc.**, Columbus,
OH (US)

(**) **Term:** **14 Years**

(21) **Appl. No.:** **29/203,596**

(22) **Filed:** **Apr. 16, 2004**

Related U.S. Application Data

(62) Division of application No. 29/195,473, filed on Dec. 11, 2003, which is a division of application No. 29/183,741, filed on Jun. 17, 2003, now Pat. No. Des. 487,206, which is a division of application No. 29/174,278, filed on Jan. 15, 2003, now Pat. No. Des. 479,418, which is a division of application No. 29/161,873, filed on Jun. 5, 2002, now Pat. No. Des. 476,174.

(51) **LOC (7) Cl.** **06-03**

(52) **U.S. Cl.** **D6/486; D6/480**

(58) **Field of Search** D6/480-489, 495,
D6/511, 477, 479, 460, 461, 436, 441,
437; 108/153.1, 155, 156, 157, 161; 248/188,
188.1, 188.8

(56) **References Cited**

U.S. PATENT DOCUMENTS

D254,822 S 4/1980 Crespi D6/460

D268,715 S	4/1983	Curry	D6/486
D331,673 S	12/1992	Faber	D6/441
D461,656 S	8/2002	Stanton	D6/488
D469,991 S	2/2003	Stanton	D6/486
D476,174 S	6/2003	Lenger	D6/484
D479,418 S	9/2003	Lenger	D6/511
D487,206 S	3/2004	Lenger	D6/511
D487,649 S	* 3/2004	Stanton	D6/441

* cited by examiner

Primary Examiner—Janice E. Seeger

(74) *Attorney, Agent, or Firm*—Wood, Herron & Evans L.L.P.

(57) **CLAIM**

The ornamental design for a cloverleaf table, as shown and described.

DESCRIPTION

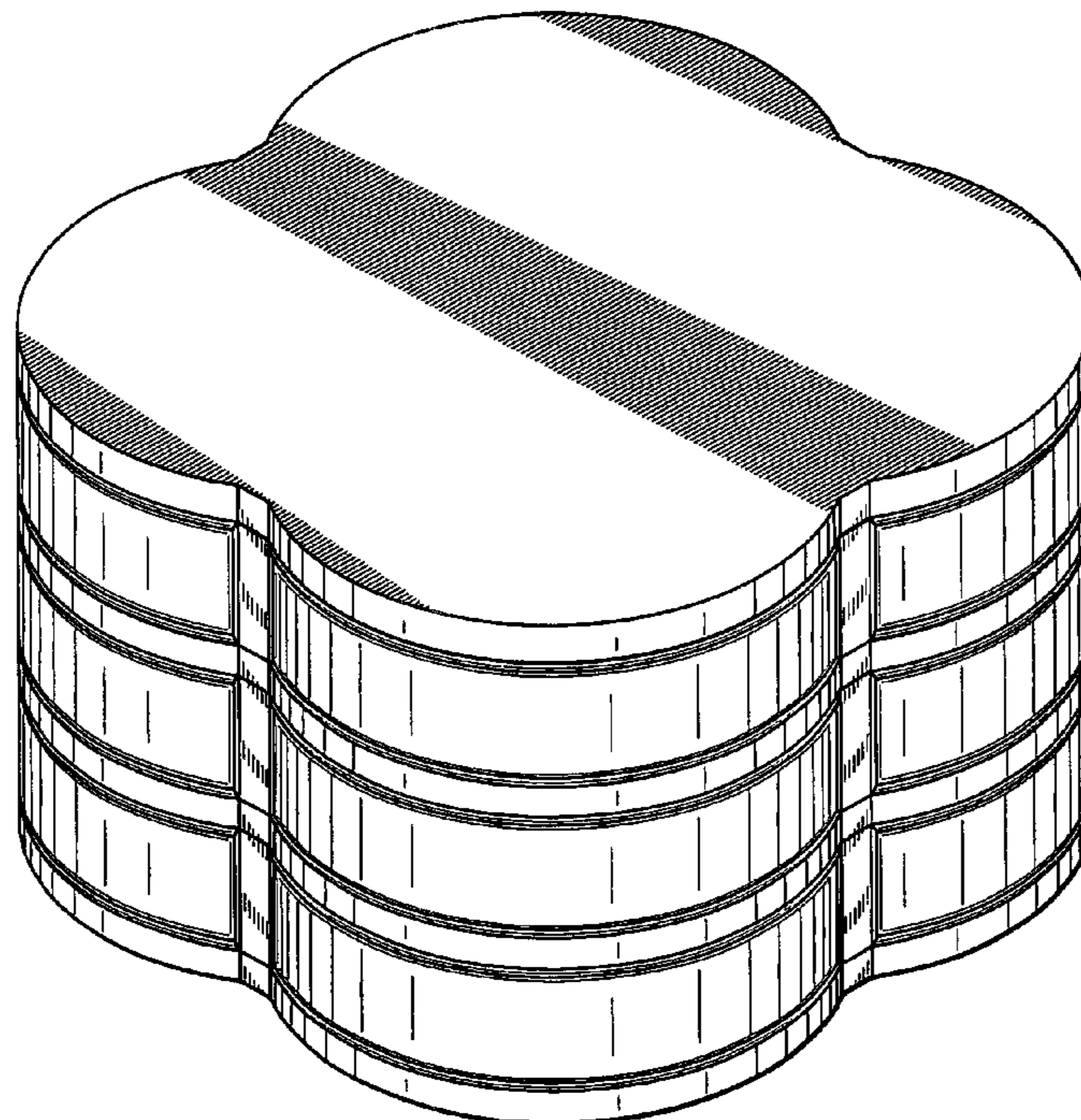
FIG. 1 is a perspective view of a cloverleaf table incorporating my new design;

FIG. 2 is a front elevational view thereof, the right-side, left-side and rear elevational views thereof being identical to FIG. 2.

FIG. 3 is a top plan view thereof; and,

FIG. 4 is a bottom plan view thereof.

1 Claim, 4 Drawing Sheets



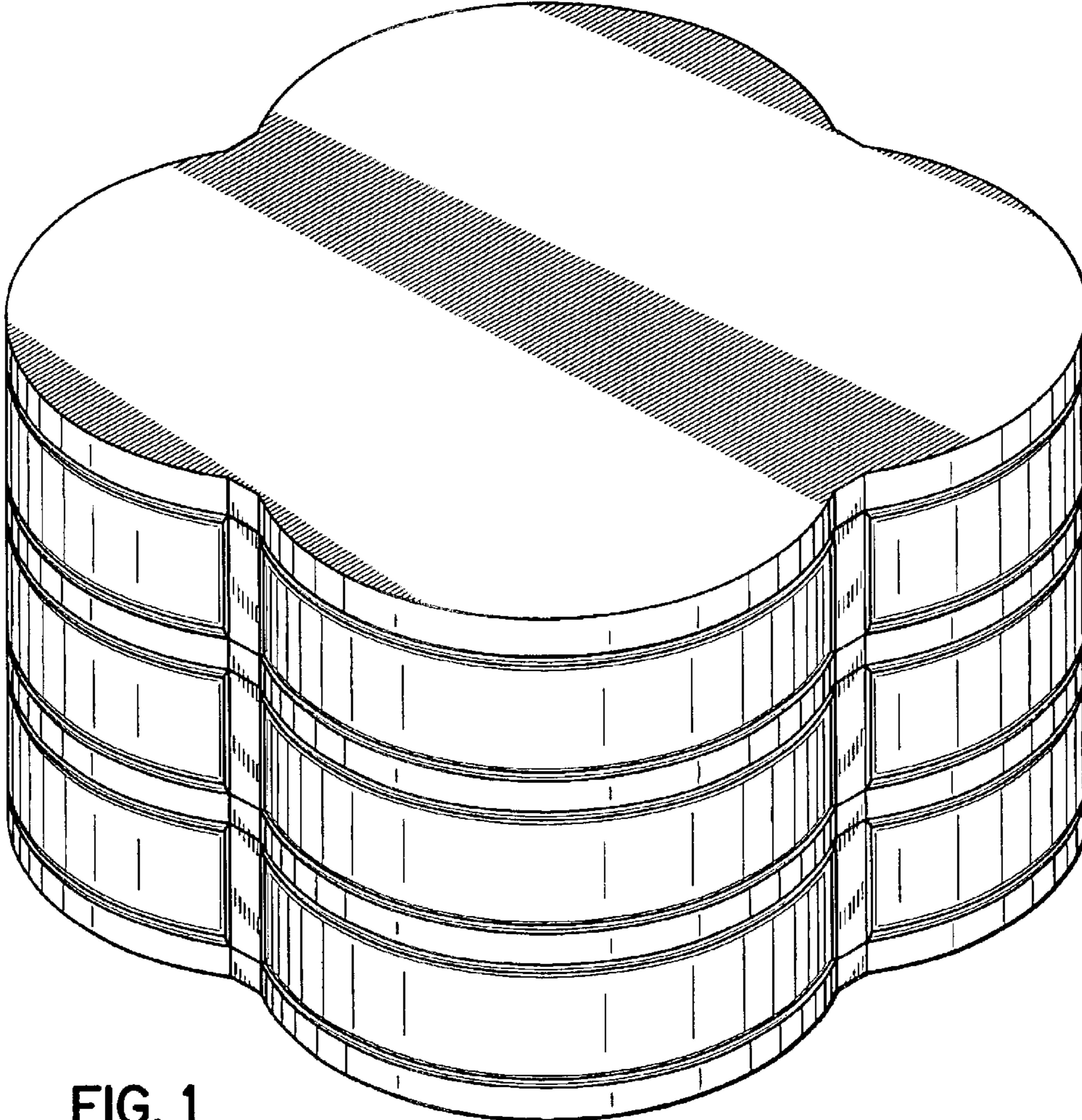


FIG. 1

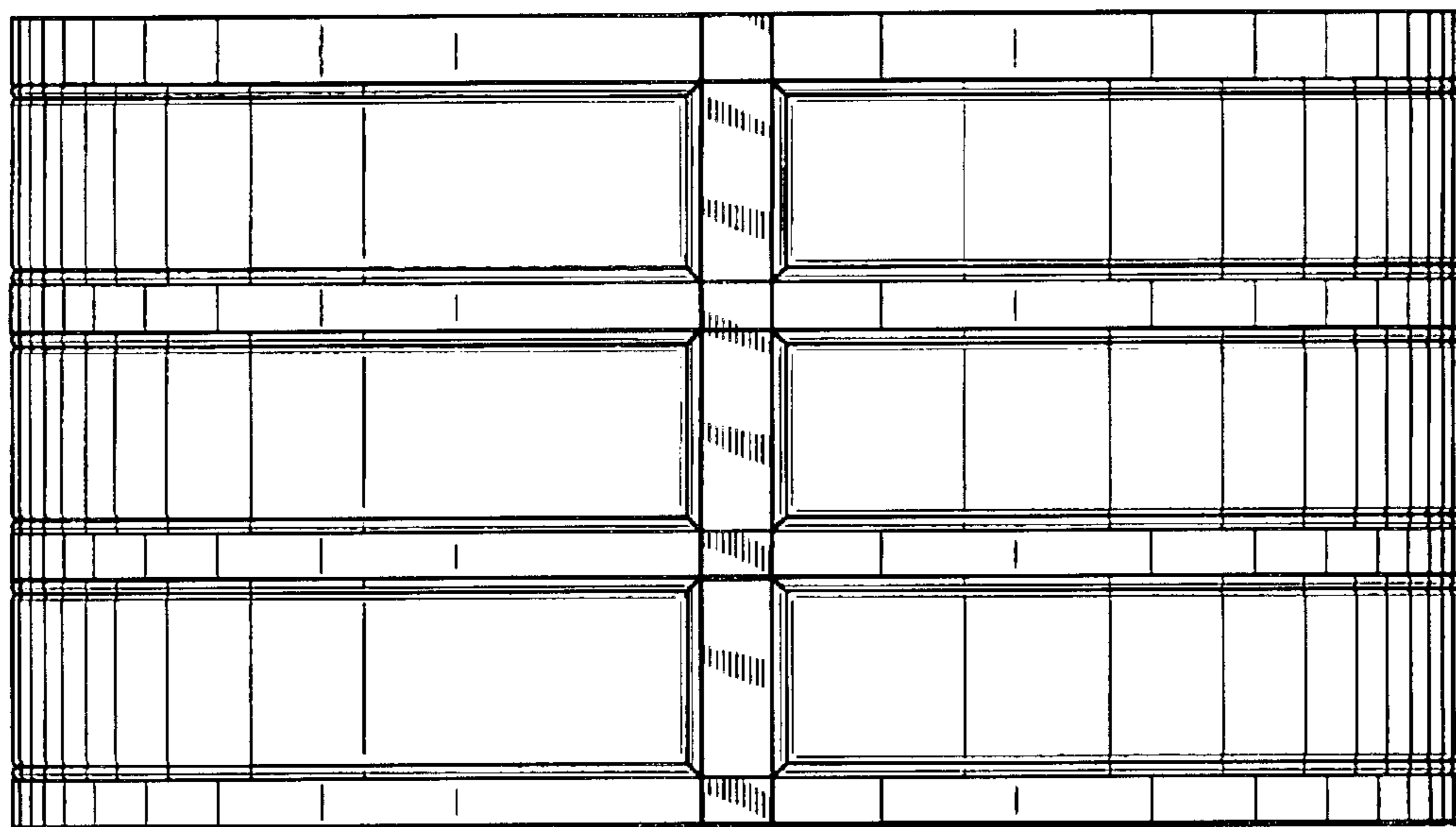


FIG. 2

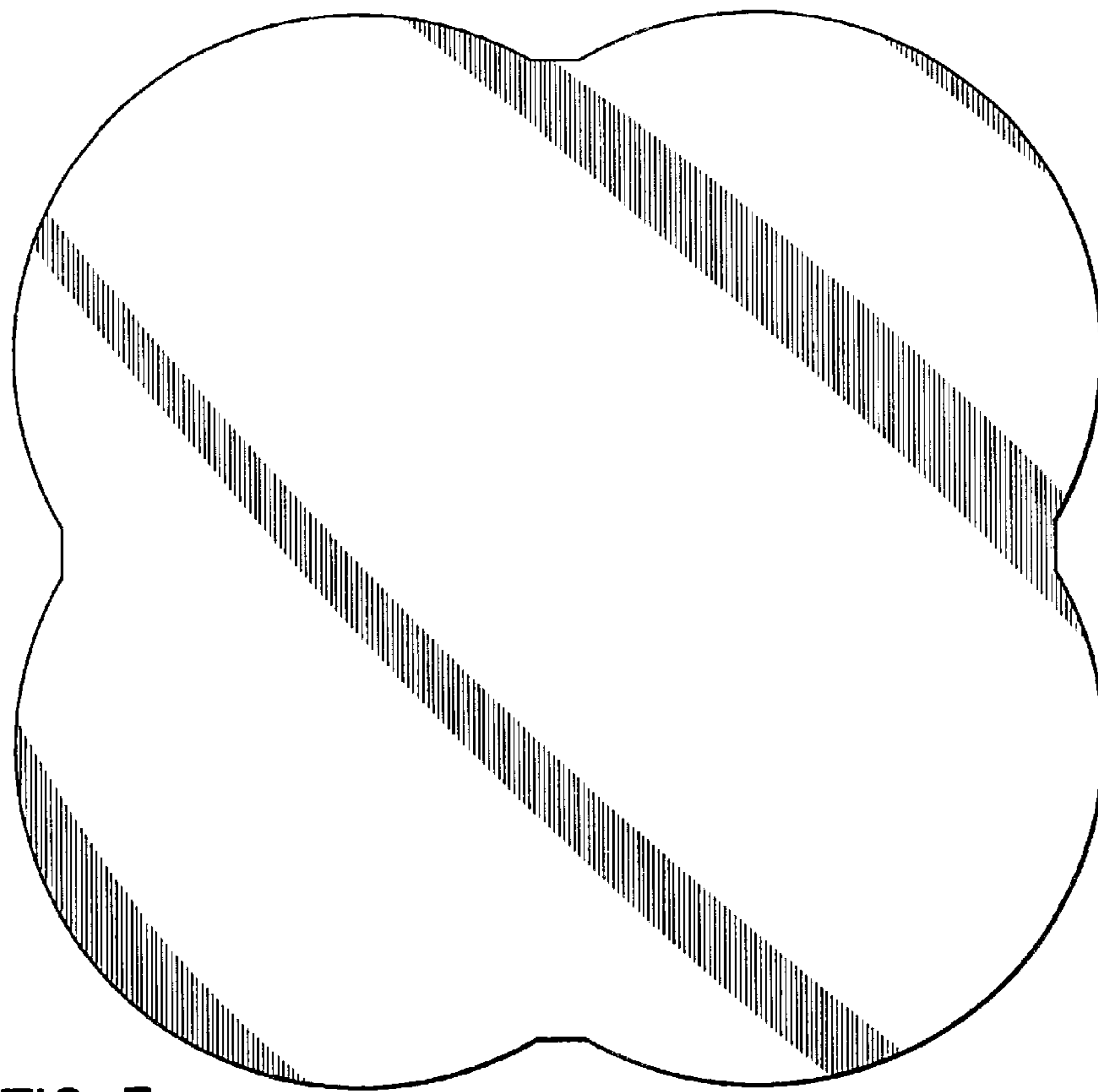


FIG. 3

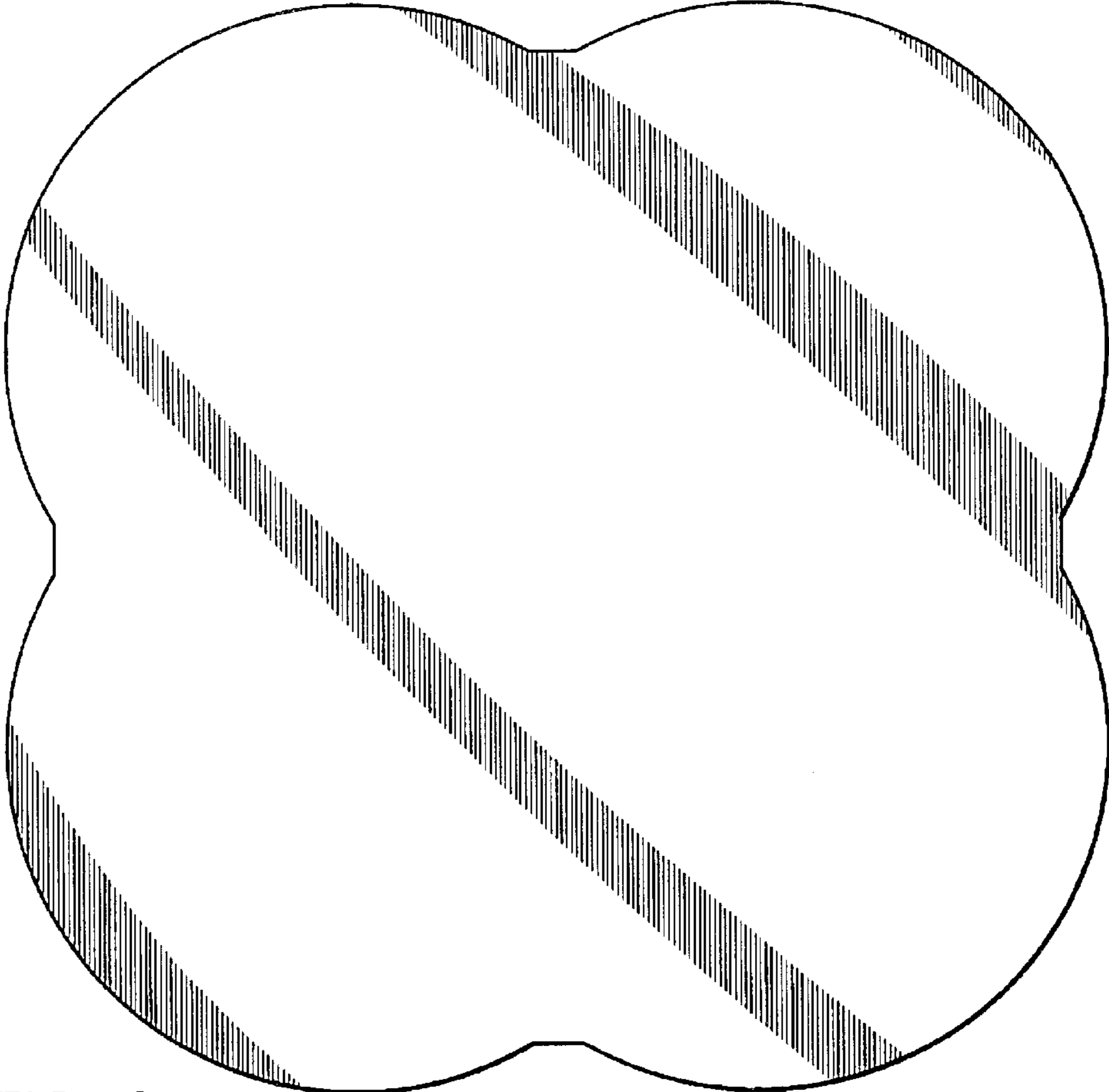


FIG. 4