

US00D497743S1

(12) **United States Design Patent**  
**Lenger**

(10) **Patent No.:** **US D497,743 S**

(45) **Date of Patent:** **\*\* Nov. 2, 2004**

(54) **CLOVERLEAF TABLE COMPONENT**

(75) **Inventor:** **Sidney A. Lenger**, Kernersville, NC  
(US)

(73) **Assignee:** **American Signature, Inc.**, Columbus,  
OH (US)

(\*\*) **Term:** **14 Years**

(21) **Appl. No.:** **29/203,598**

(22) **Filed:** **Apr. 16, 2004**

**Related U.S. Application Data**

(62) Division of application No. 29/195,473, filed on Dec. 11, 2003, which is a division of application No. 29/183,741, filed on Jun. 17, 2003, now Pat. No. Des. 487,206, which is a division of application No. 29/174,278, filed on Jan. 15, 2003, now Pat. No. Des. 479,418, which is a division of application No. 29/161,873, filed on Jun. 5, 2002, now Pat. No. Des. 476,174.

(51) **LOC (7) Cl.** ..... **06-03**

(52) **U.S. Cl.** ..... **D6/484; D6/436; D6/441**

(58) **Field of Search** ..... D6/480-489, 495,  
D6/511, 477, 479, 460, 461, 436, 441,  
437; 108/153.1, 155, 156, 157, 161; 248/188,  
188.1, 188.8

(56) **References Cited**

**U.S. PATENT DOCUMENTS**

D254,822 S 4/1980 Crespi ..... D6/460

D268,715 S	4/1983	Curry	.....	D6/486
D331,673 S	12/1992	Faber	.....	D6/441
D461,656 S	8/2002	Stanton	.....	D6/488
D469,991 S	2/2003	Stanton	.....	D6/486
D476,174 S	6/2003	Lenger	.....	D6/484
D479,418 S	9/2003	Lenger	.....	D6/511
D487,206 S	3/2004	Lenger	.....	D6/511
D487,649 S	* 3/2004	Stanton	.....	D6/441

\* cited by examiner

*Primary Examiner*—Janice E. Seeger

(74) *Attorney, Agent, or Firm*—Wood, Herron & Evans  
L.L.P.

(57) **CLAIM**

The ornamental design for a cloverleaf table component, as shown and described.

**DESCRIPTION**

FIG. 1 is a perspective view of a cloverleaf table component incorporating my new design;

FIG. 2 is a front elevational view thereof, the rear elevational view thereof being identical to FIG. 2;

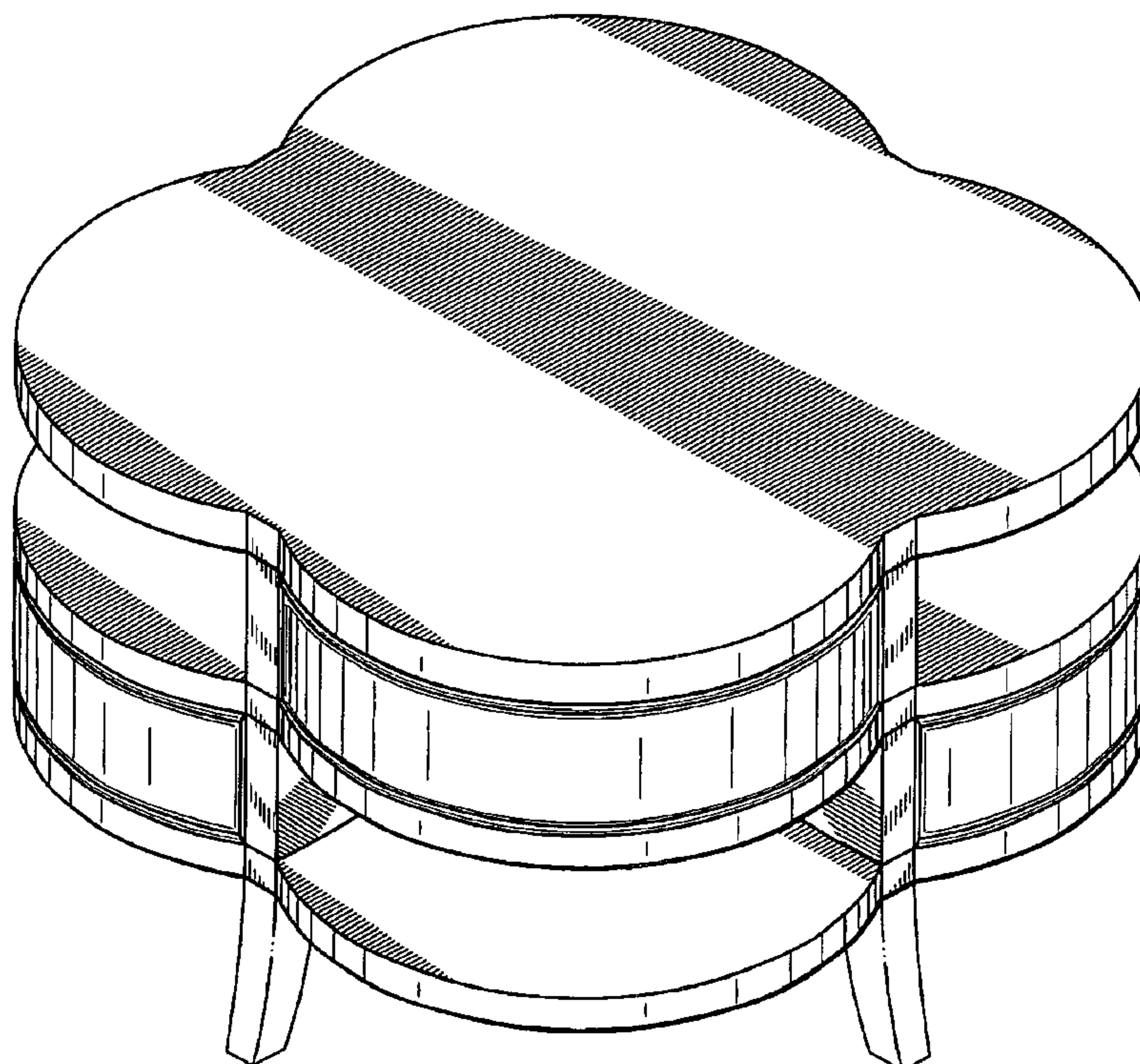
FIG. 3 is a right-side elevational view thereof, the left-side elevational view thereof being identical to FIG. 3;

FIG. 4 is a top plan view thereof; and,

FIG. 5 is a bottom plan view thereof.

The broken lines shown in the figures are for illustrative purposes only and form no part of the claimed cloverleaf table component design.

**1 Claim, 4 Drawing Sheets**



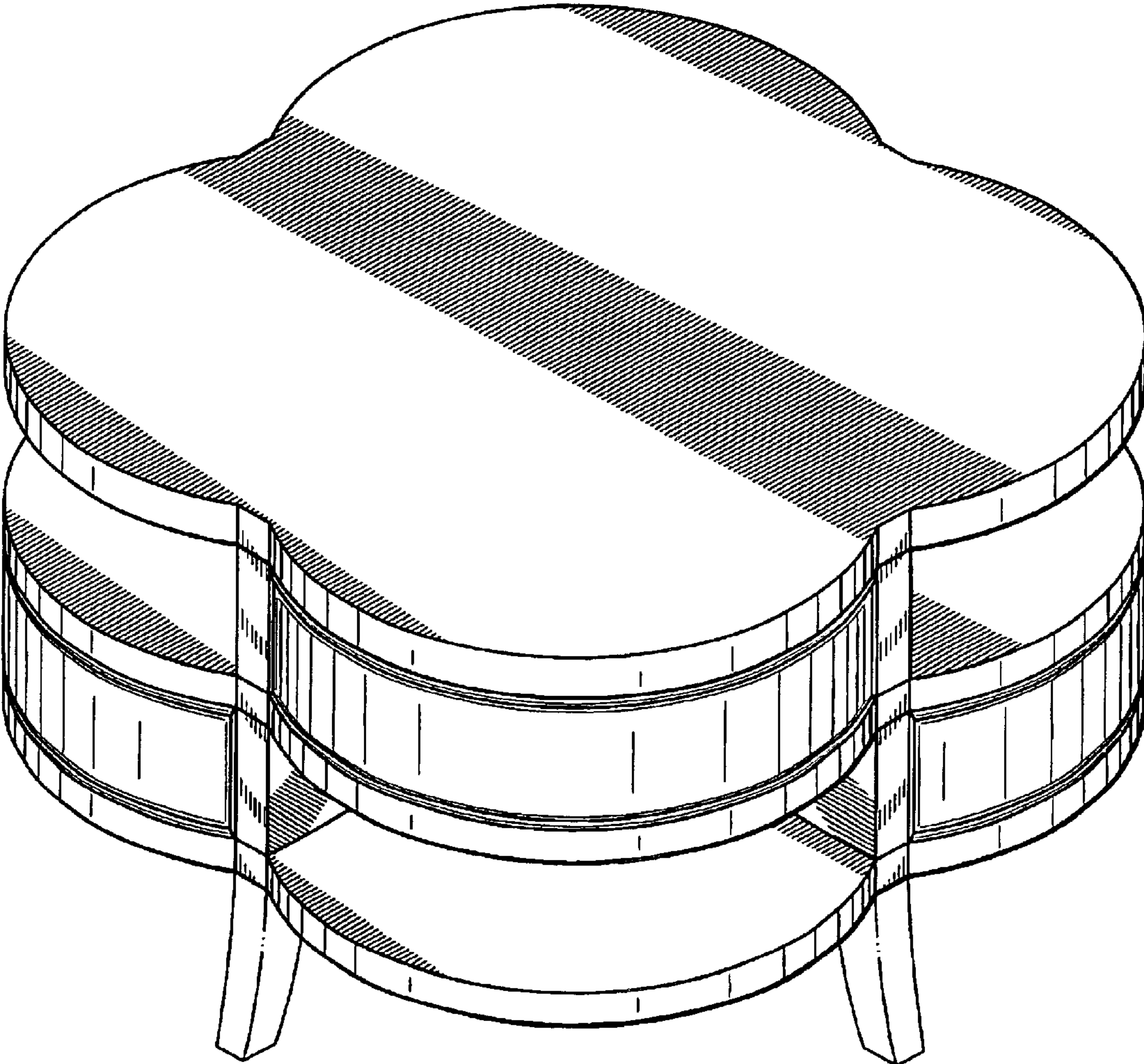


FIG. 1

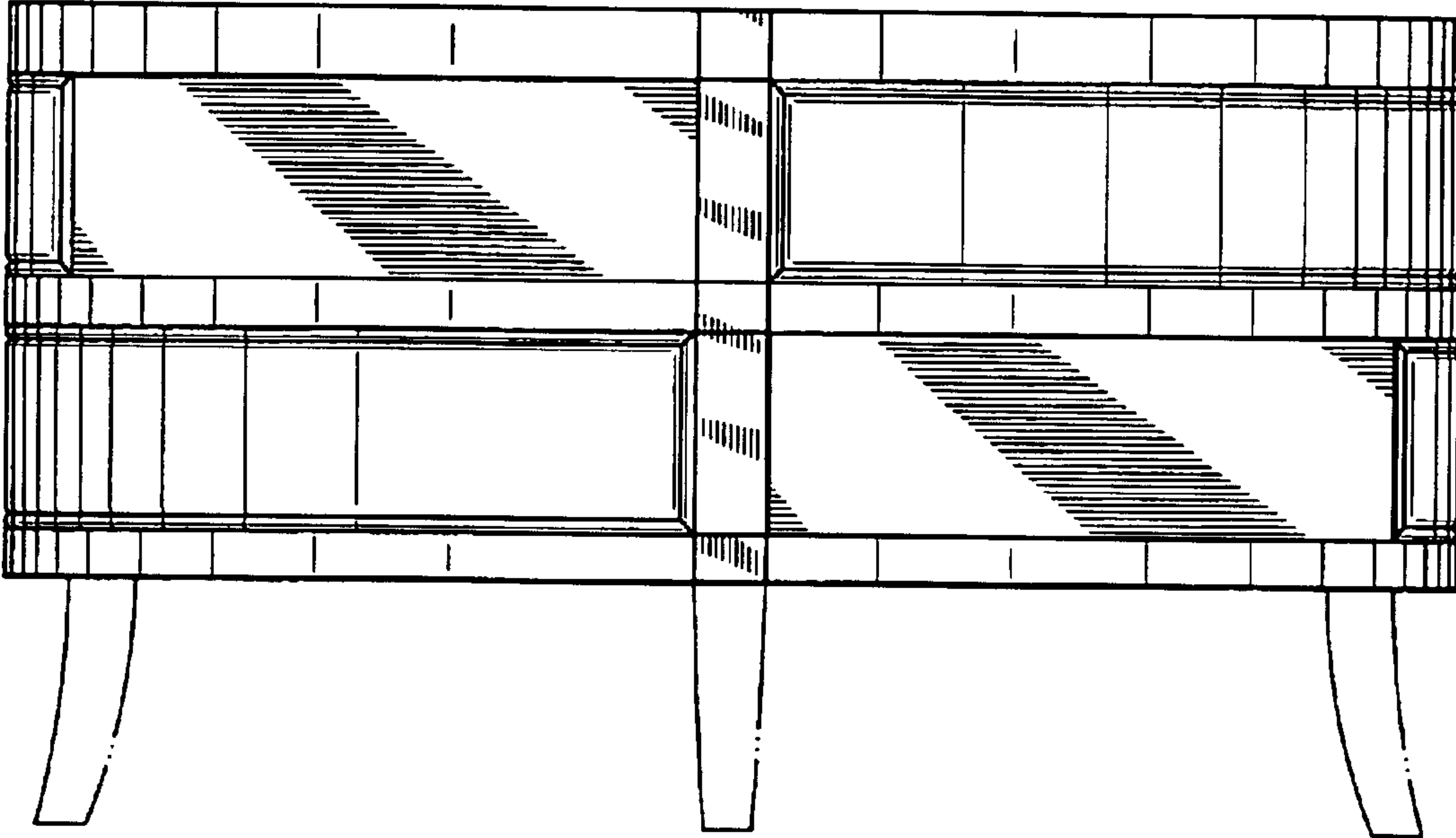


FIG. 2

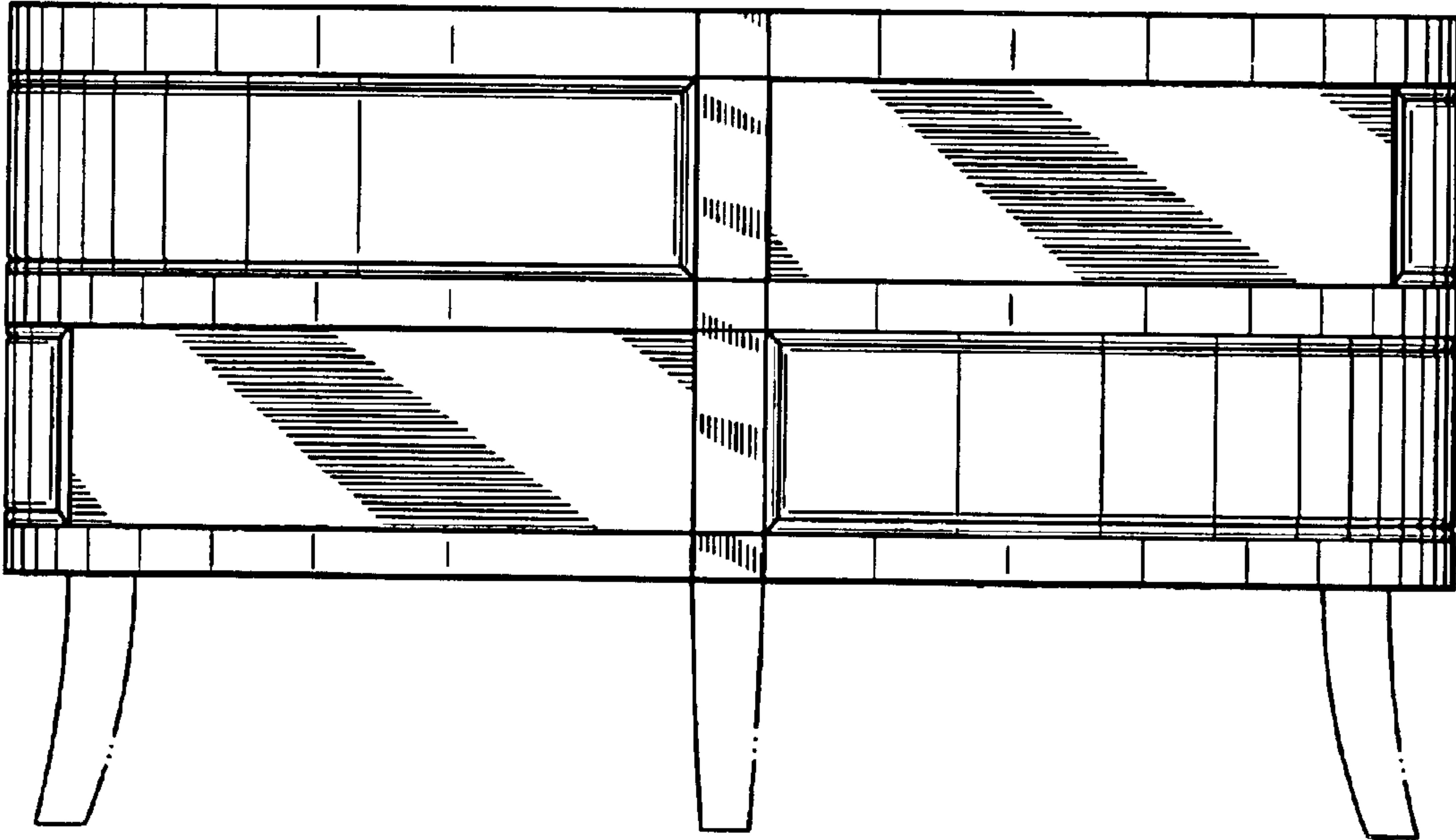


FIG. 3



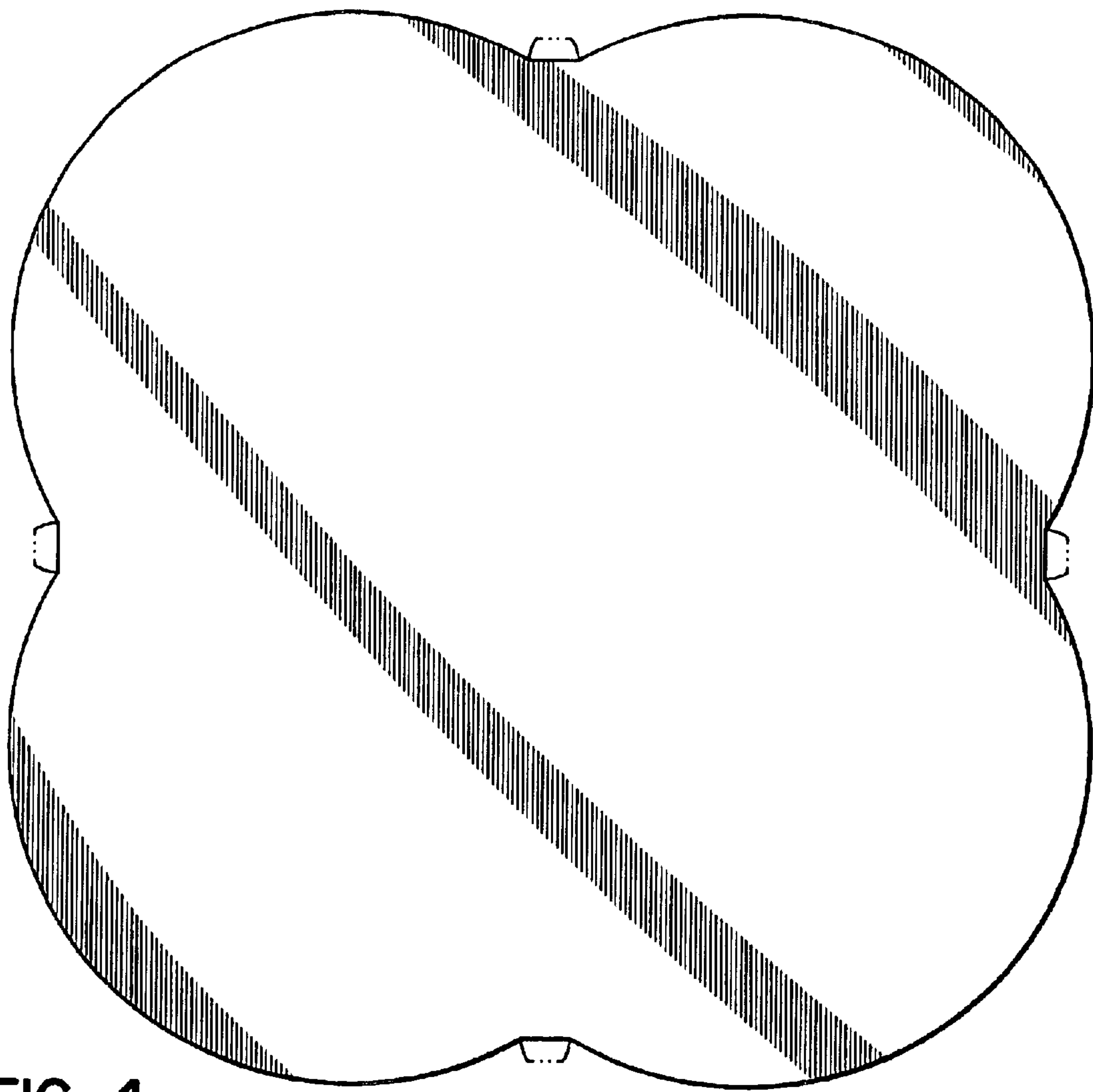


FIG. 4

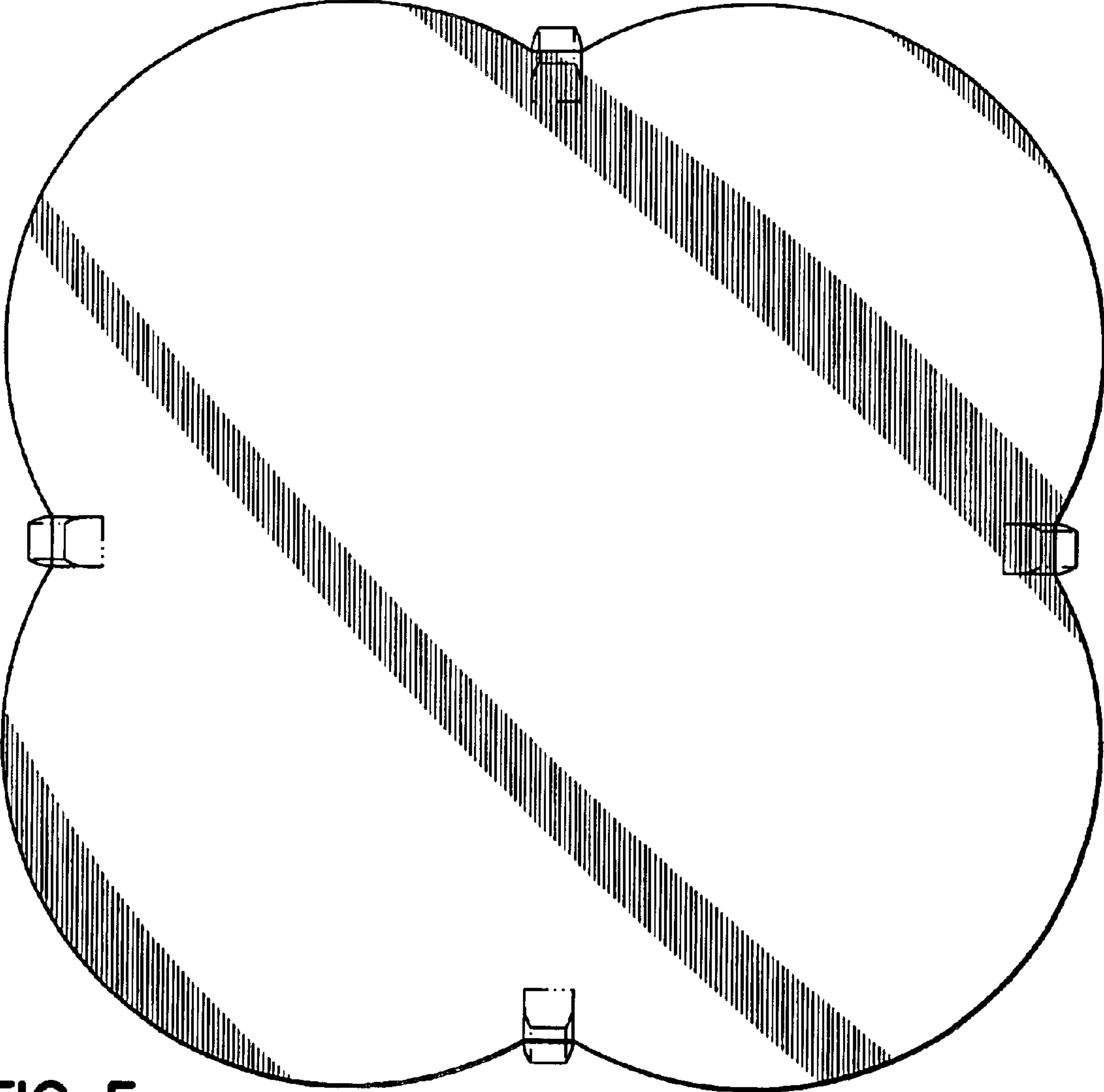


FIG. 5