

US00D497739S1

(12) **United States Design Patent** (10) **Patent No.:** **US D497,739 S**
English et al. (45) **Date of Patent:** **** Nov. 2, 2004**

(54) **SNEEZE GUARD WITH SHELF**

Primary Examiner—Cathron Brooks
(74) *Attorney, Agent, or Firm*—Catherine Ashley Straight

(76) Inventors: **Douglas A. English**, 11359 Sunrise Gold Cir. #A, Rancho Cordova, CA (US) 95742; **Jason R. Cristofani**, 11359 Sunrise Gold Cir. #A, Rancho Cordova, CA (US) 95742

(57) **CLAIM**

The ornamental design for a sneeze guard with shelf, as shown and described.

(**) Term: **14 Years**

DESCRIPTION

(21) Appl. No.: **29/186,954**

FIG. 1 is a perspective view of a sneeze guard with shelf, showing our new design;

(22) Filed: **Jul. 23, 2003**

FIG. 2 is a left side view, thereof, the right side view thereof being a mirror image;

(51) **LOC (7) Cl.** **06-04**

FIG. 3 is a front elevational view, thereof;

(52) **U.S. Cl.** **D6/471; D6/511**

FIG. 4 is a rear elevational view, thereof;

(58) **Field of Search** D6/470–472, 491, D6/509–511; 211/85.4; 312/114, 116, 137, 138.1

FIG. 5 is a top plan view, thereof;

FIG. 6 is a bottom plan view, thereof;

(56) **References Cited**

U.S. PATENT DOCUMENTS

D200,831 S	*	4/1965	Nathans	D6/509
4,208,972 A	*	6/1980	Arend et al.	312/137
D337,462 S	*	7/1993	LaVaute et al.	D6/491
D350,657 S	*	9/1994	LaVaute et al.	D6/472
5,584,545 A	*	12/1996	LaVaute et al.	312/137
D472,083 S	*	3/2003	English et al.	D6/509

FIG. 7 is a perspective view of an alternate embodiment of the sneeze guard with shelf;

FIG. 8 is a left side view, thereof, the right side view thereof being a mirror image;

FIG. 9 is a front elevational view, thereof;

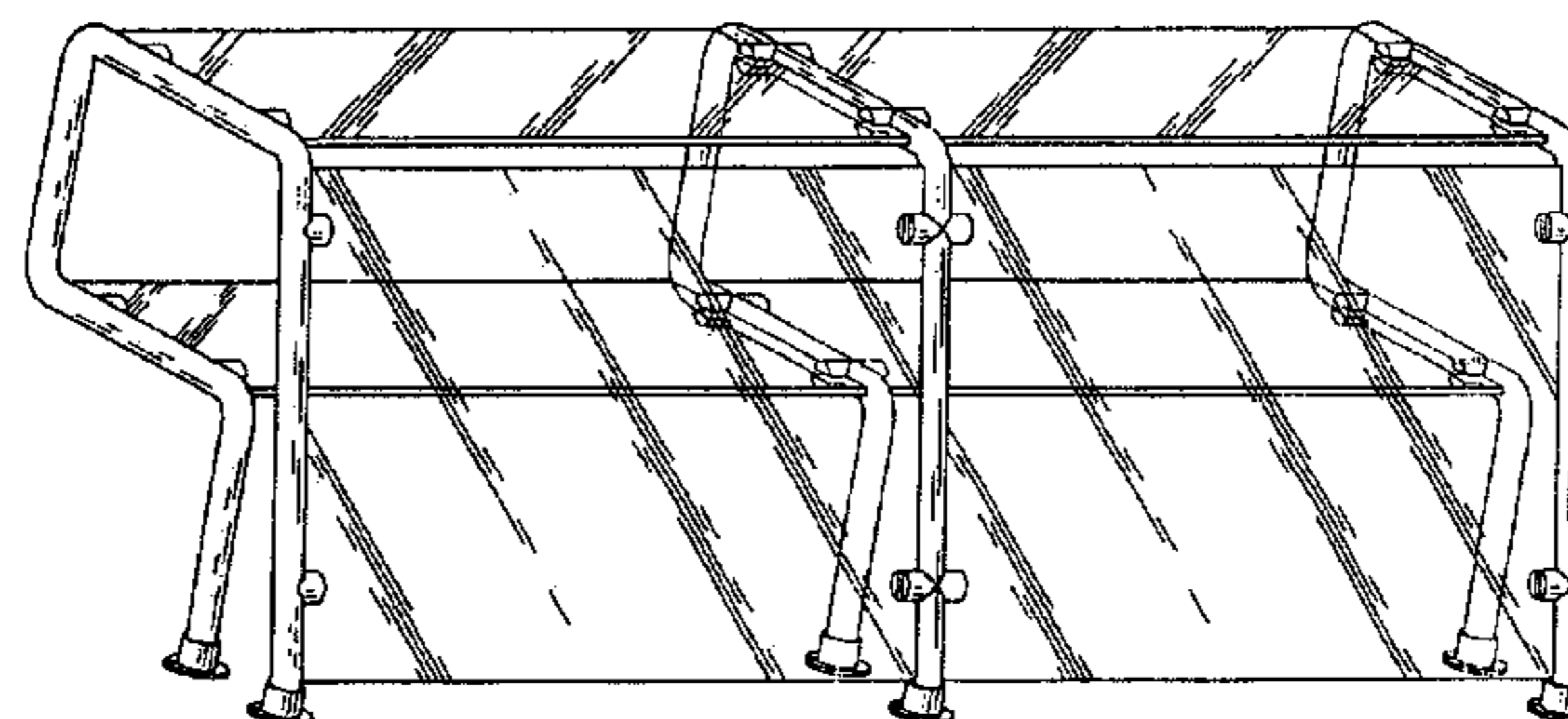
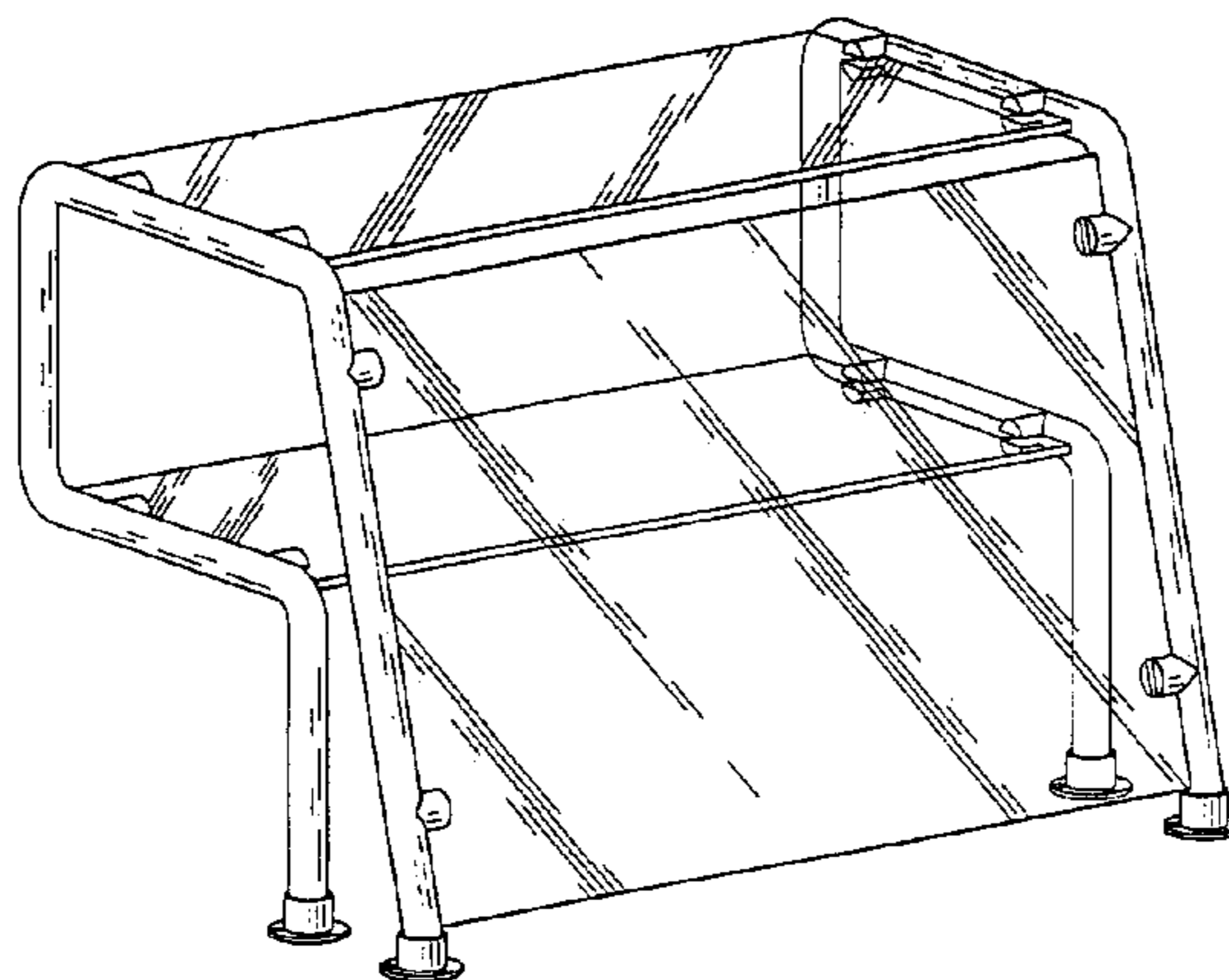
FIG. 10 is a rear elevational view, thereof;

FIG. 11 is a top plan view, thereof; and,

FIG. 12 is a bottom plan view, thereof.

* cited by examiner

1 Claim, 4 Drawing Sheets



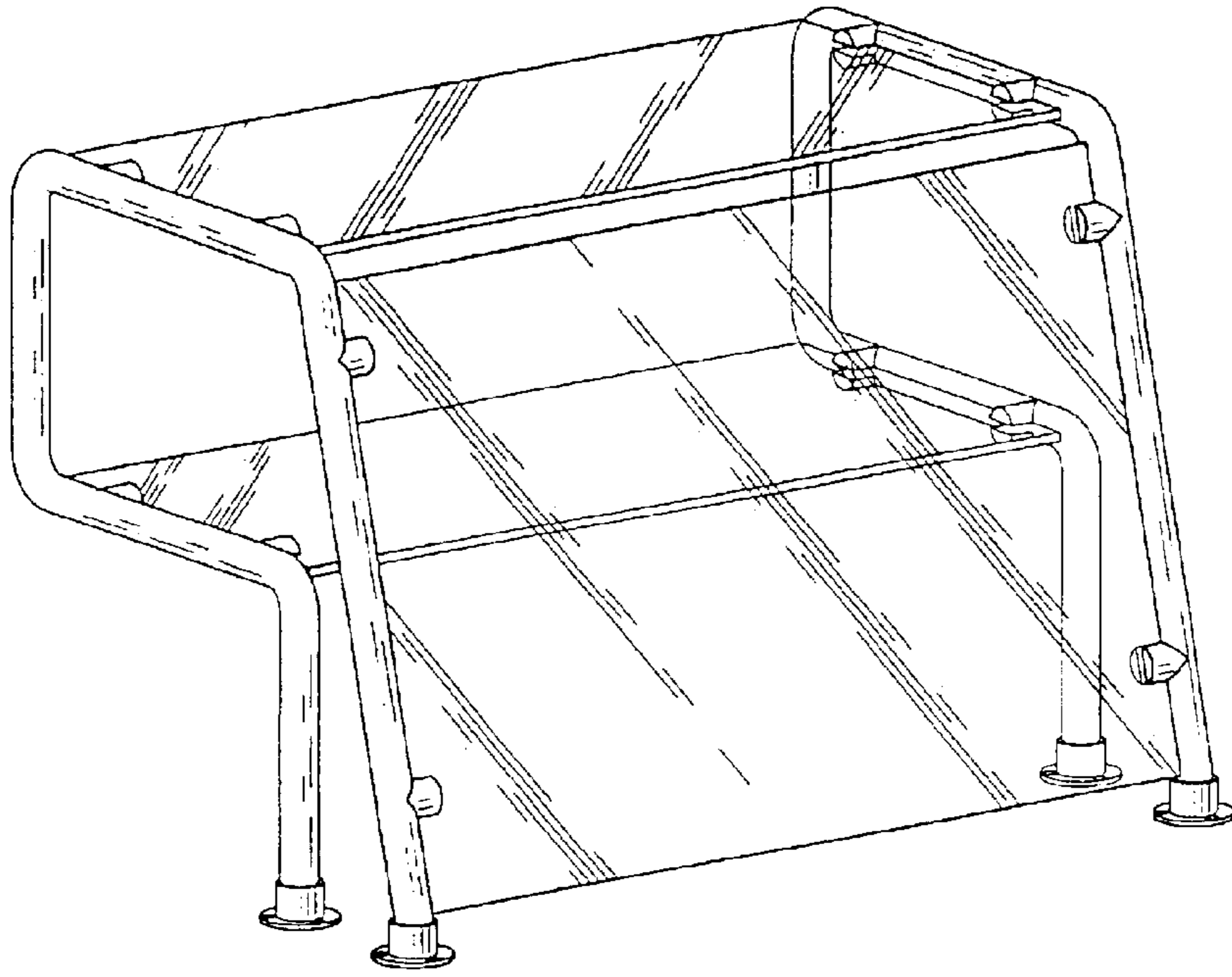


Fig. 1

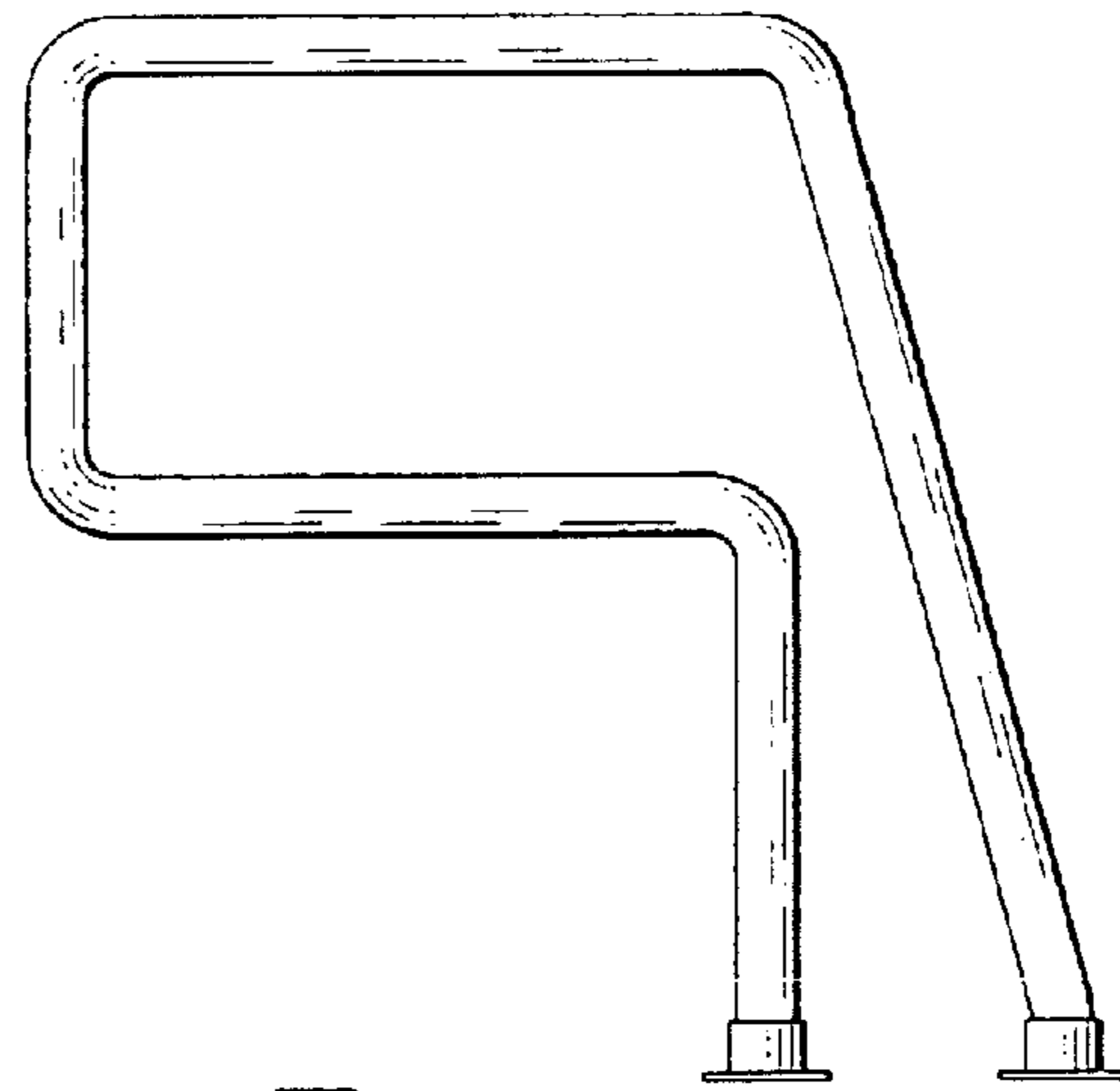


Fig. 2

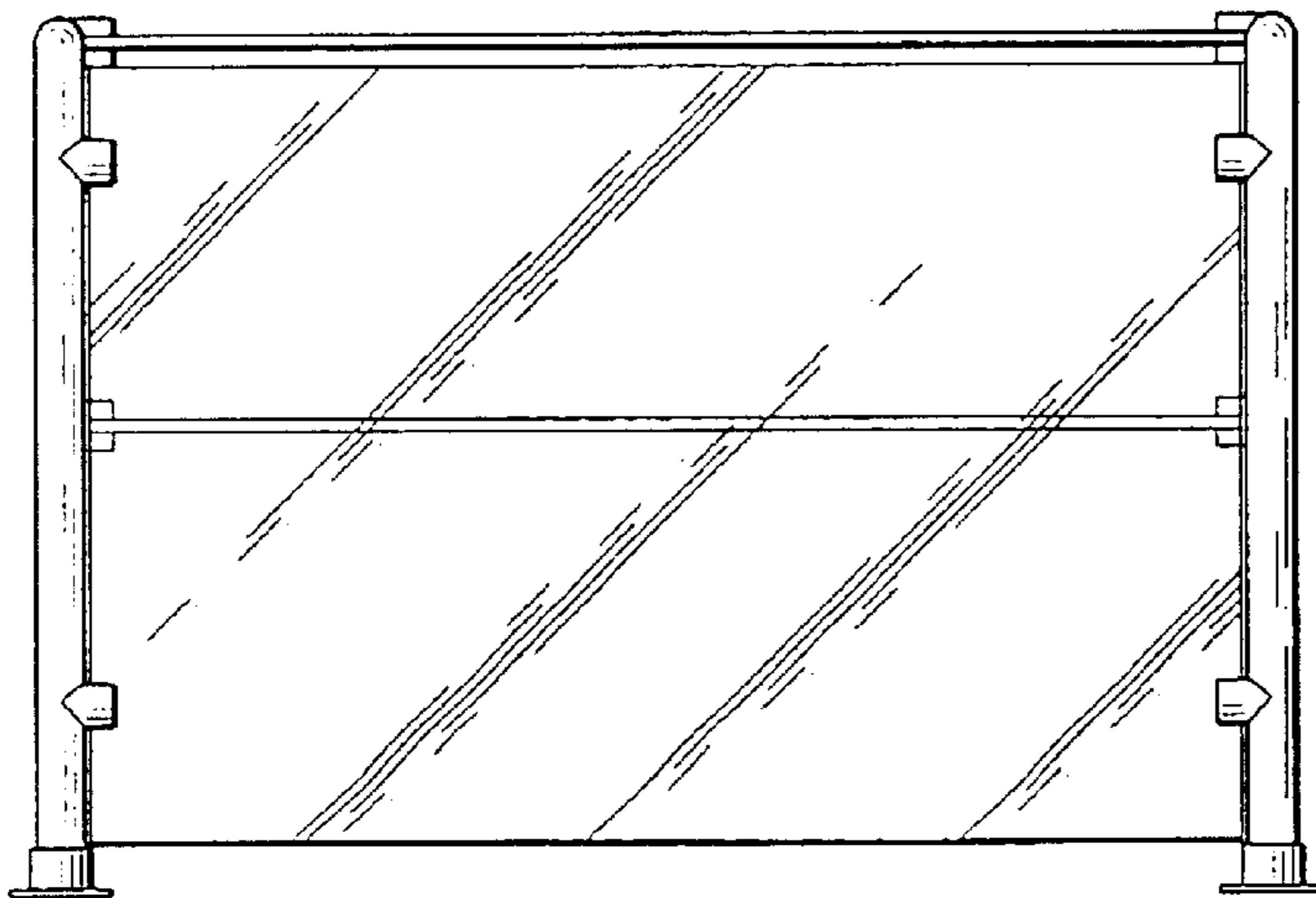


Fig. 3

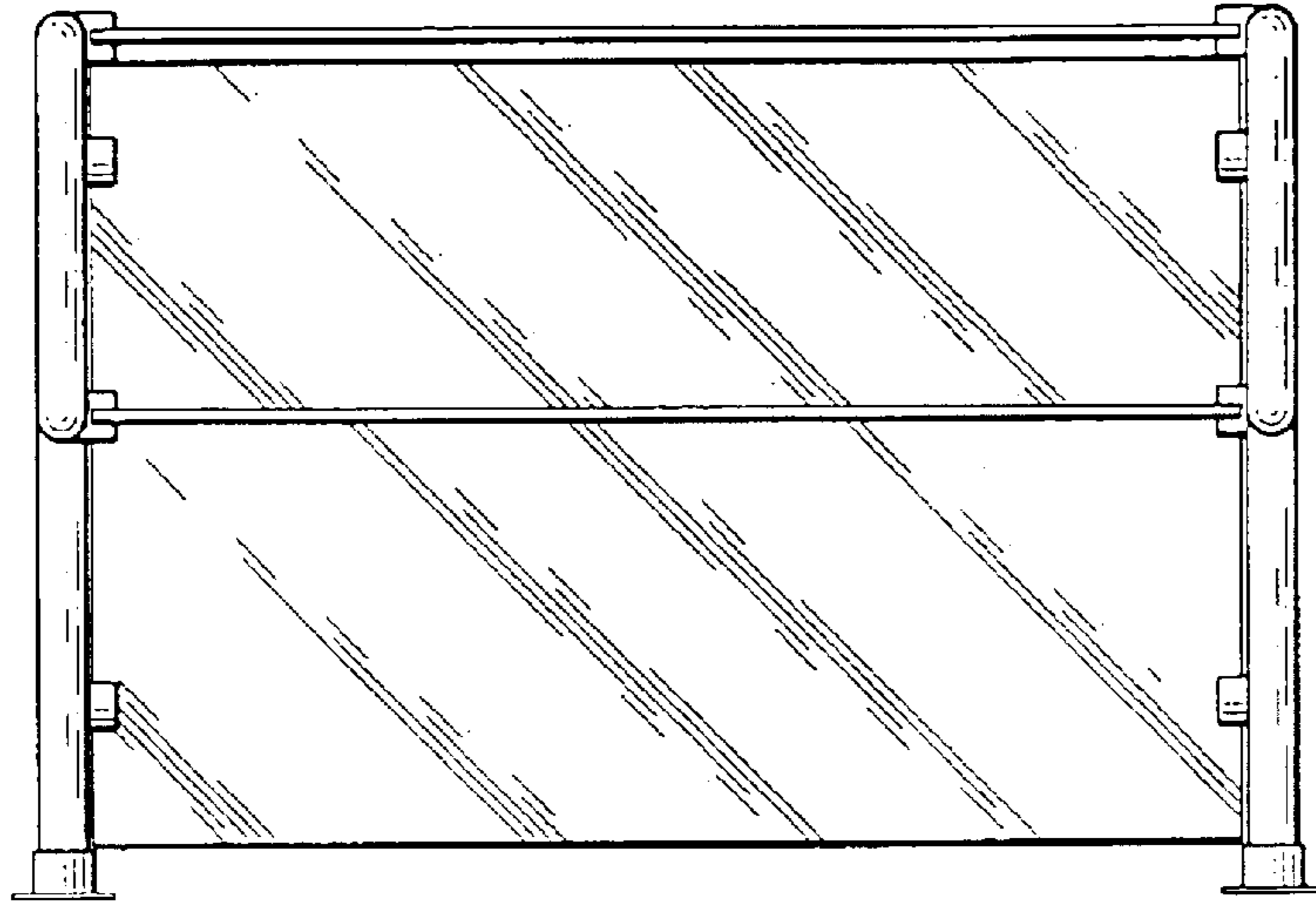


Fig. 4

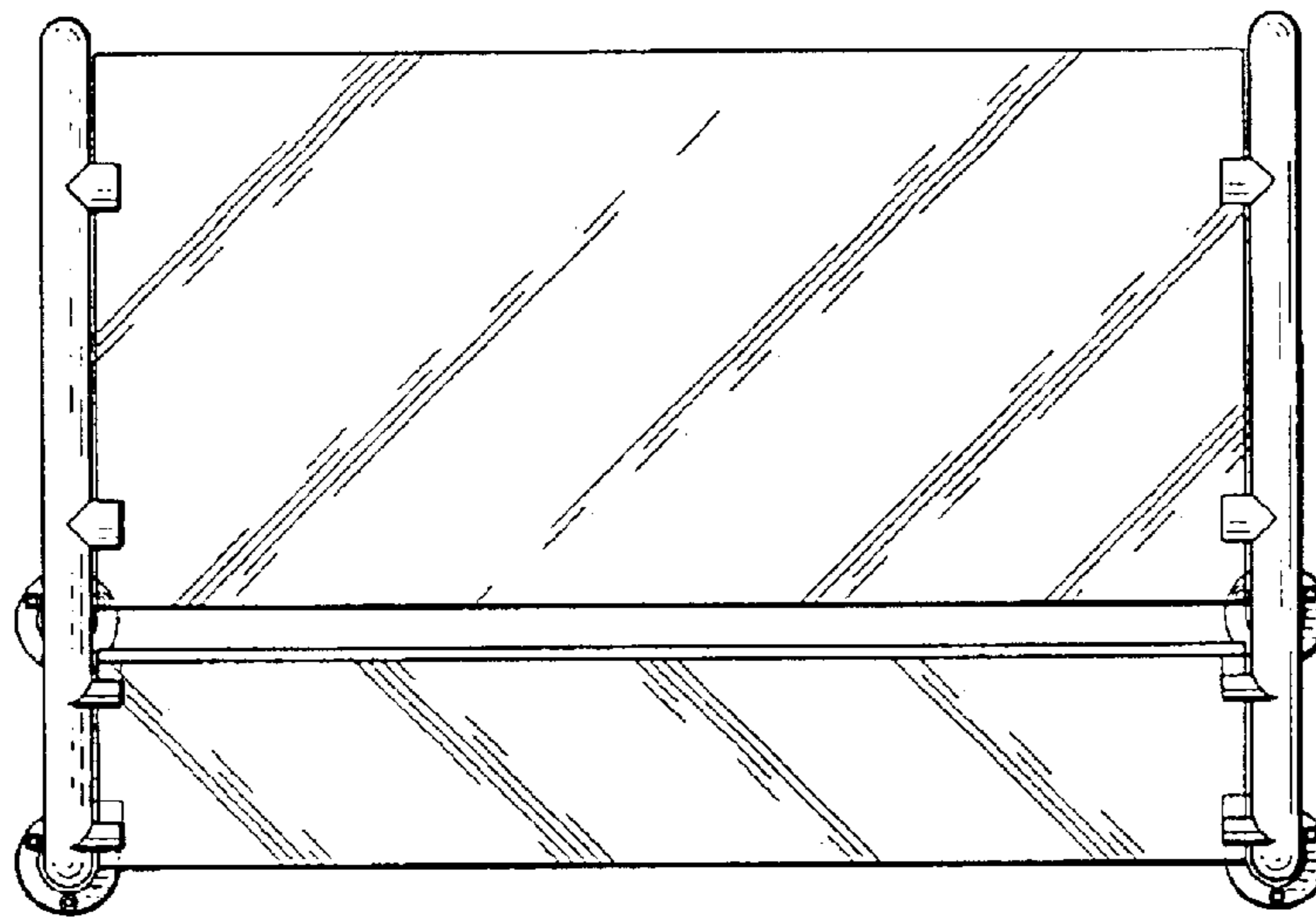


Fig. 5

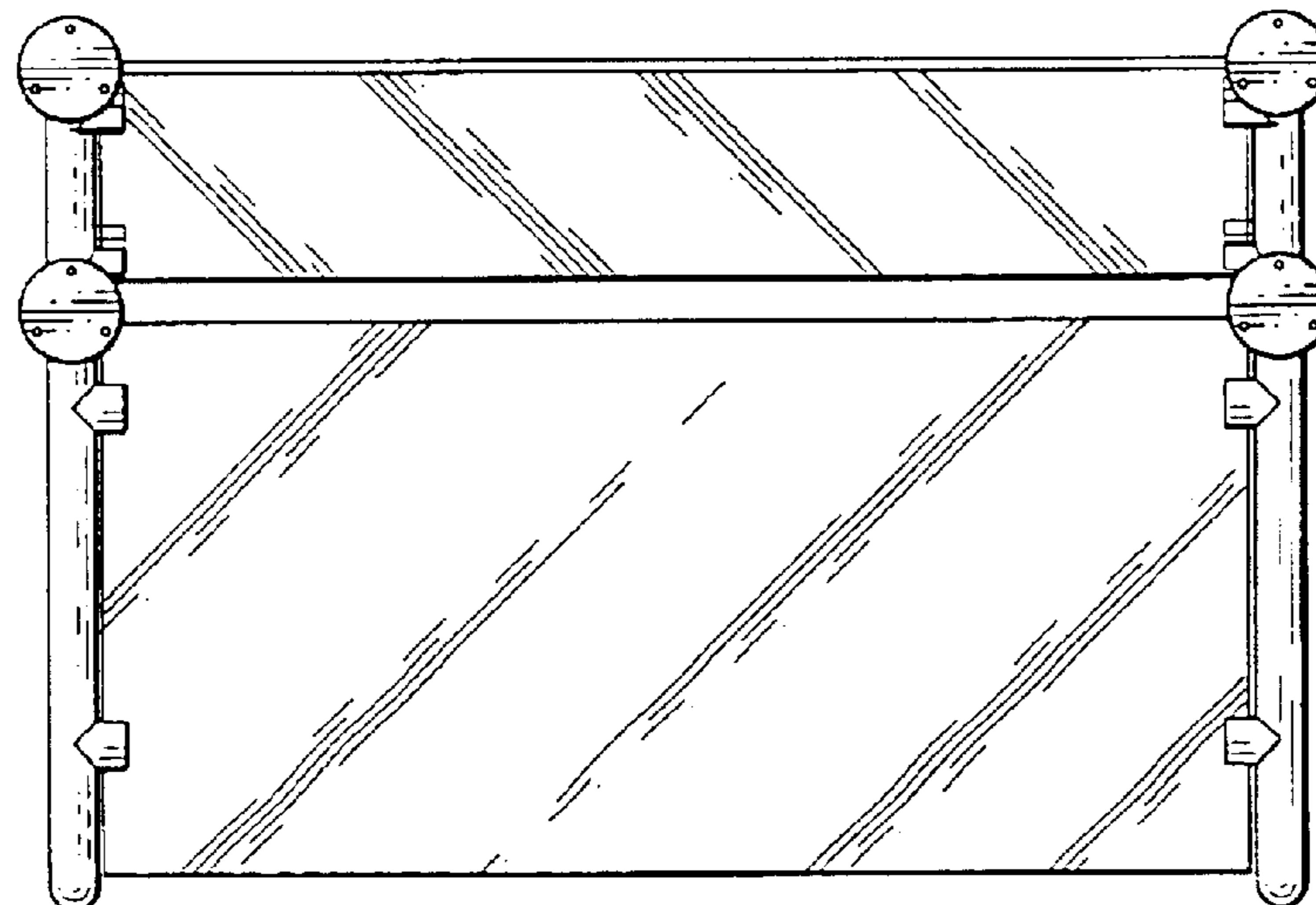


Fig. 6

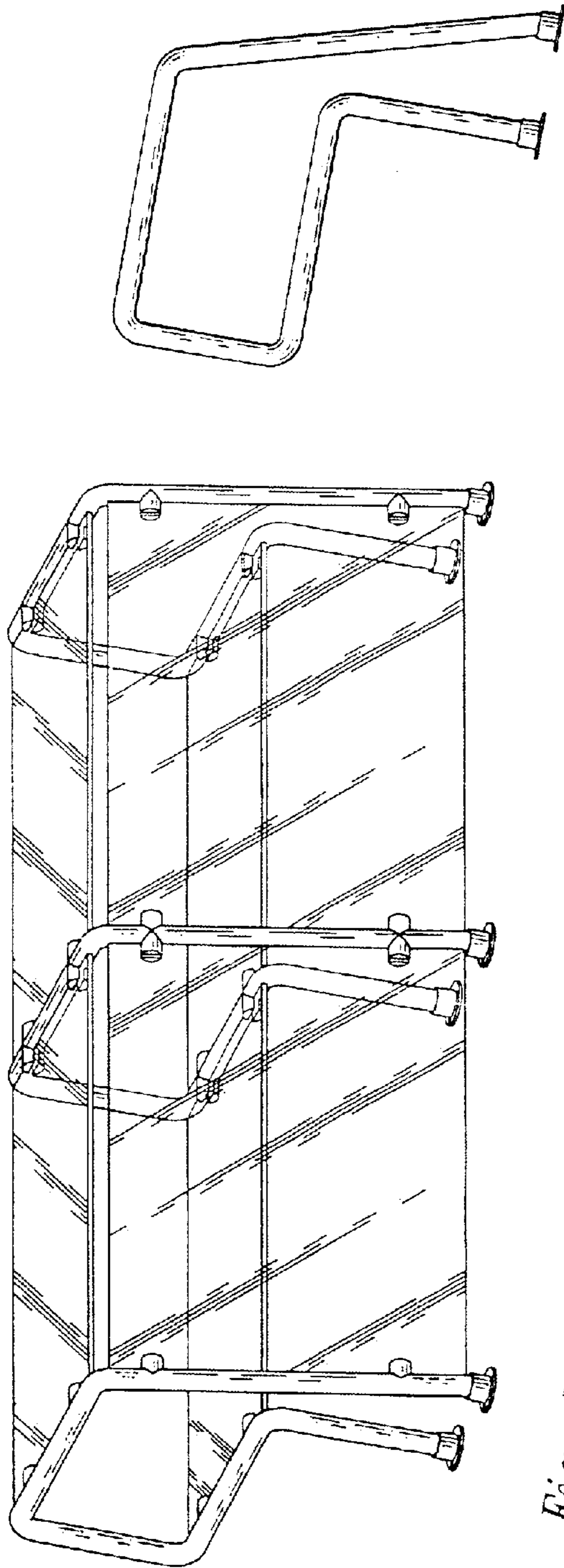


Fig. 7

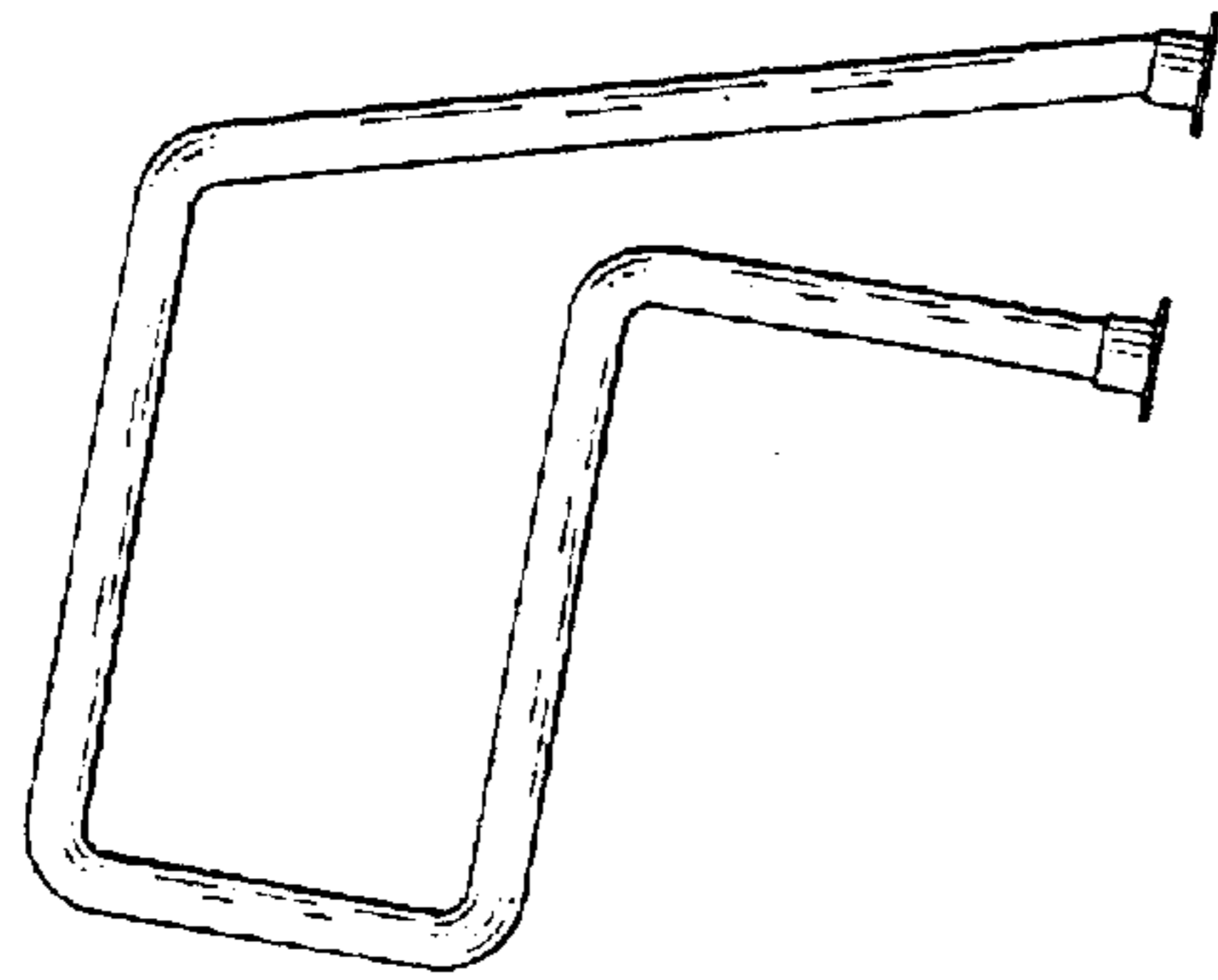


Fig. 8

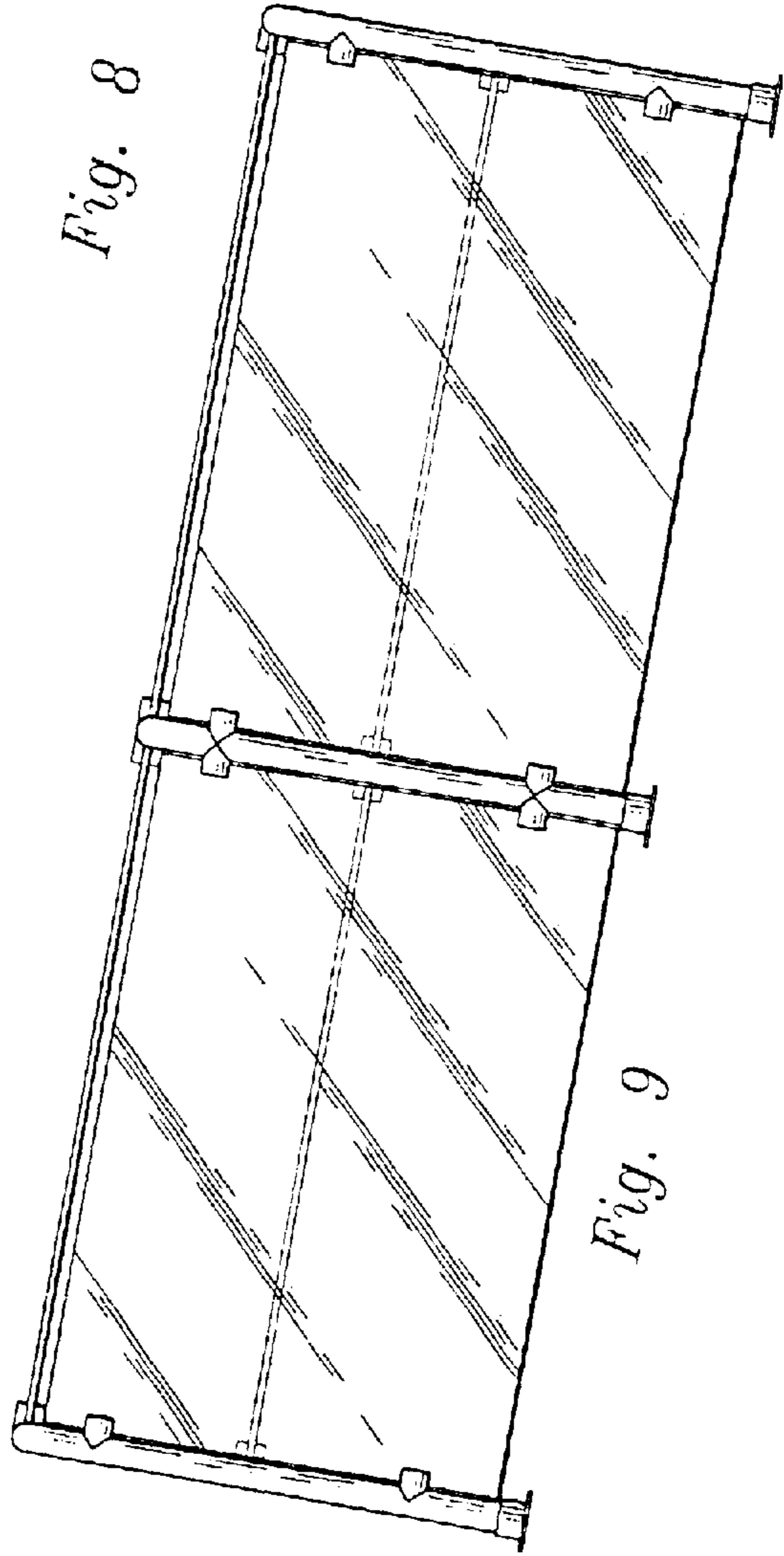


Fig. 9

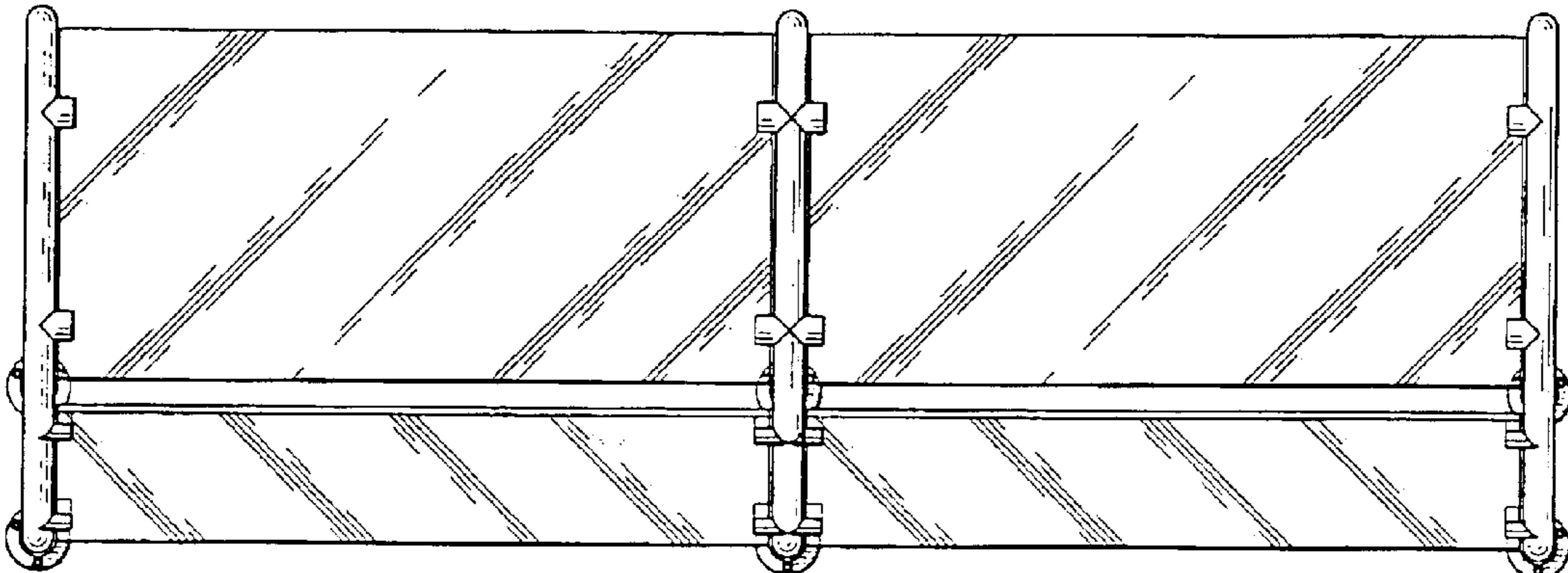


Fig. 10

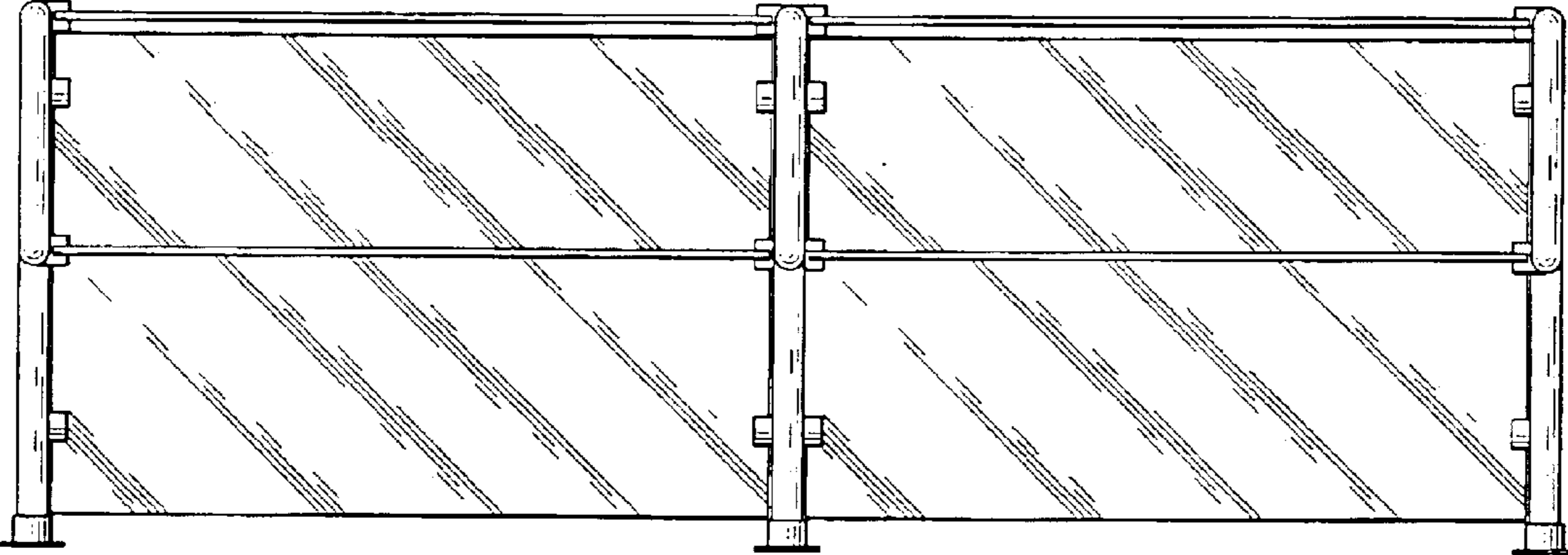


Fig. 11

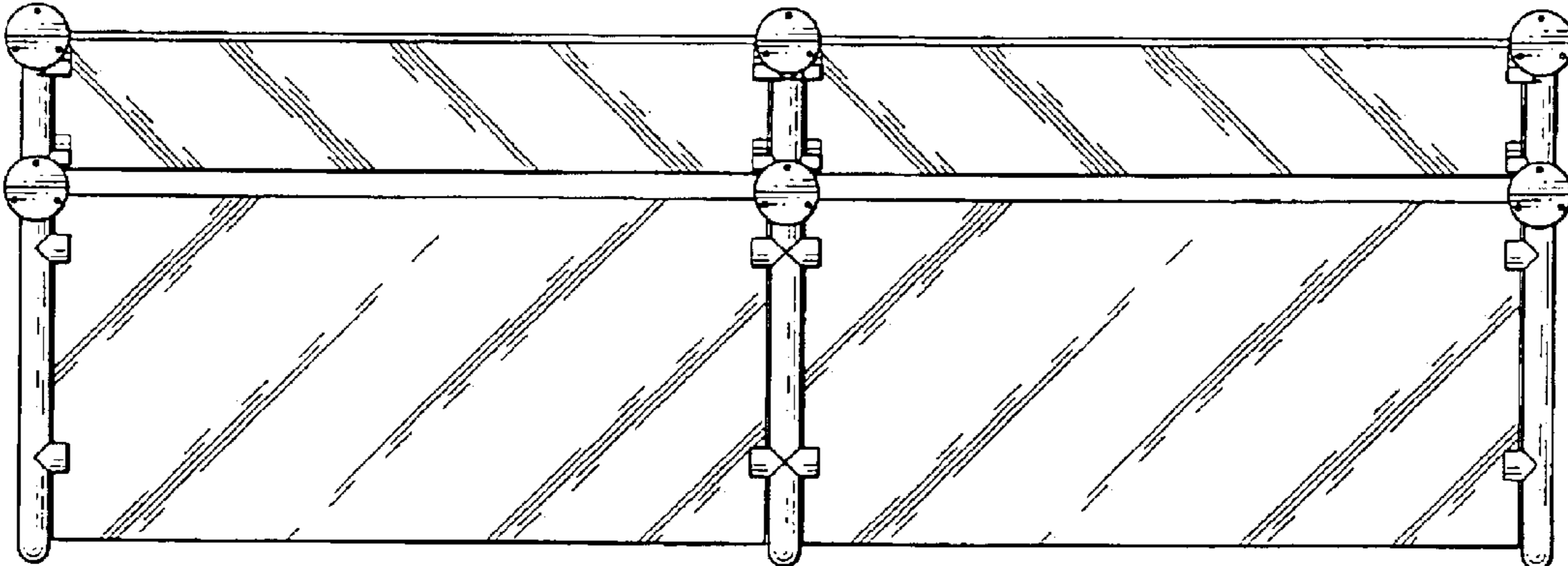


Fig. 12