

US00D497735S1

(12) **United States Design Patent** (10) **Patent No.:** **US D497,735 S**
Davis (45) **Date of Patent:** **** Nov. 2, 2004**

(54) **JEWELRY CHEST**

(75) **Inventor:** **Joseph G. Davis**, Evington, VA (US)

(73) **Assignee:** **L. Powell Company**, Culver City, CA (US)

(**) **Term:** **14 Years**

(21) **Appl. No.:** **29/195,054**

(22) **Filed:** **Dec. 5, 2003**

(51) **LOC (7) Cl.** **06-04**

(52) **U.S. Cl.** **D6/440; D6/446**

(58) **Field of Search** **D6/432-448; D3/275, D3/295, 296, 903; 312/204, 224, 278, 279**

(56) **References Cited**

U.S. PATENT DOCUMENTS

D59,057 S	*	9/1921	Bergstrom	D6/448
D59,058 S	*	9/1921	Bergstrom	D6/446
D59,059 S	*	9/1921	Bergstrom	D6/446
D222,888 S	*	1/1972	Lax	D6/445
D319,153 S		8/1991	Powell	D6/440
D319,155 S		8/1991	Powell	D6/448
D384,833 S	*	10/1997	Kelley	D6/397
D409,853 S	*	5/1999	Horn	D6/397
D429,915 S	*	8/2000	Hazen et al.	D6/432
D471,735 S	*	3/2003	Draheim et al.	D6/445

OTHER PUBLICATIONS

Furniture Today, Hamilton & Spill Chest, p. 155, Apr. 3, 2000.*

Furniture Today, Murphy Chest, p. 269, Oct. 14, 2002.*

* cited by examiner

Primary Examiner—Cathron Brooks

(74) *Attorney, Agent, or Firm*—Sheppard, Mullin, Richter & Hampton LLP

(57) **CLAIM**

I claim the ornamental design for a jewelry chest, as shown and described.

DESCRIPTION

FIG. 1 is a perspective view of the jewelry chest showing the new design;

FIG. 2 is a second perspective view thereof with the top and some drawers shown in the open position;

FIG. 3 is a front elevational view thereof;

FIG. 4 is a top plan view thereof,

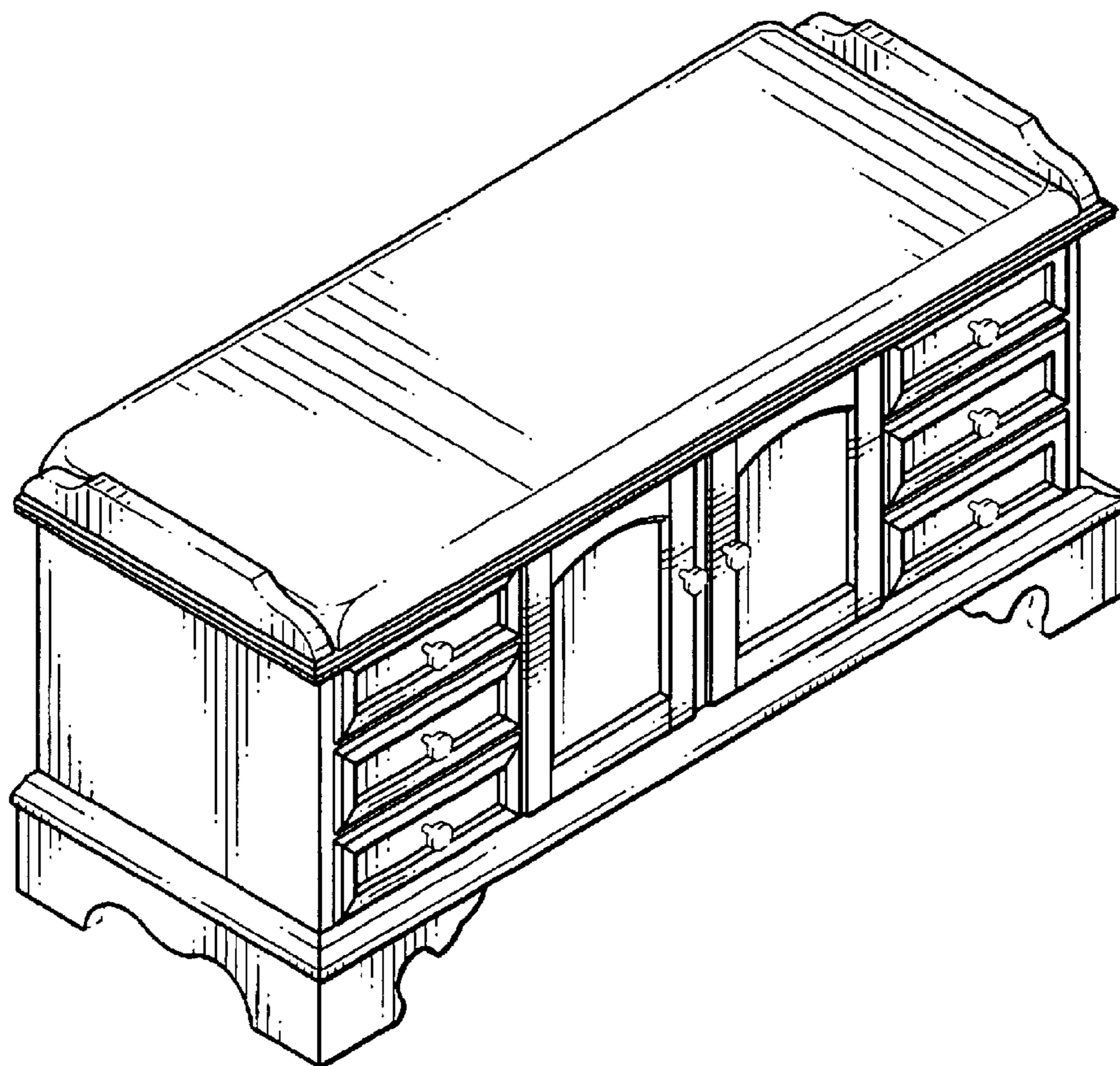
FIG. 5 is a rear elevational view thereof;

FIG. 6 is a bottom plan view thereof; and,

FIG. 7 is a right side elevational view thereof, the left side elevational view being a mirror image thereof.

The dotted lines are for illustrative purposes only and form no part of the claimed design.

1 Claim, 7 Drawing Sheets



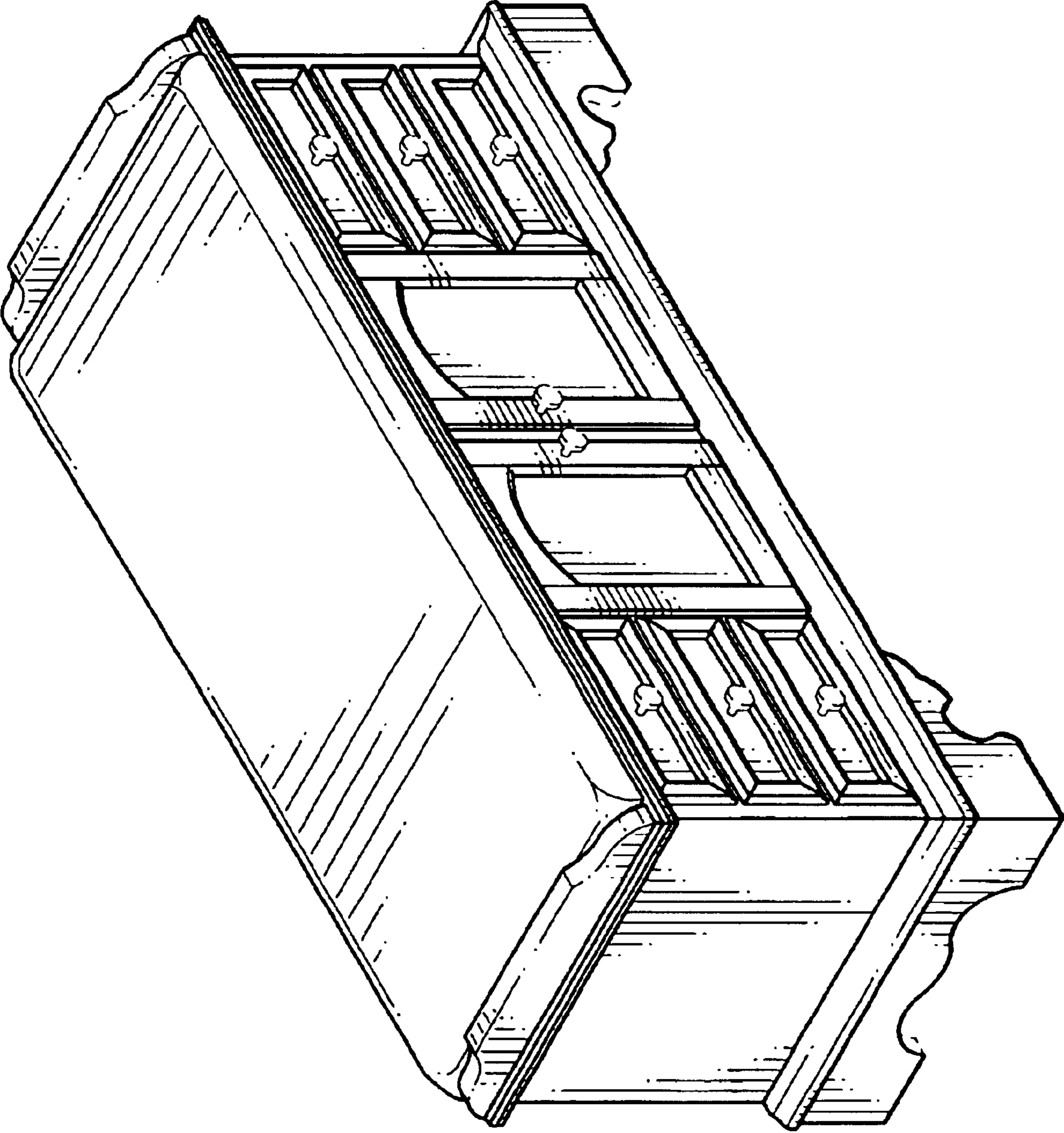


FIG. 1

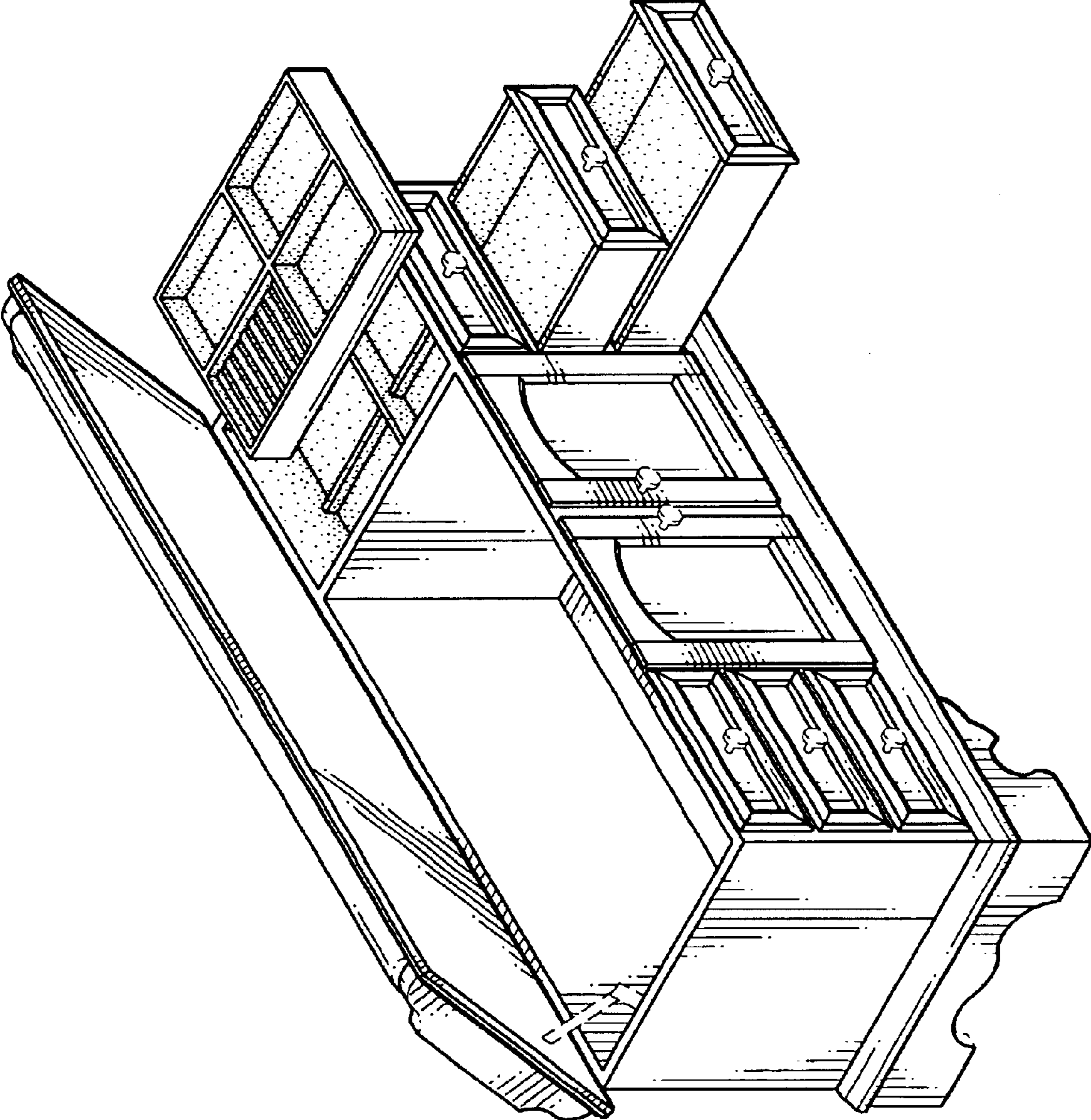


FIG. 2

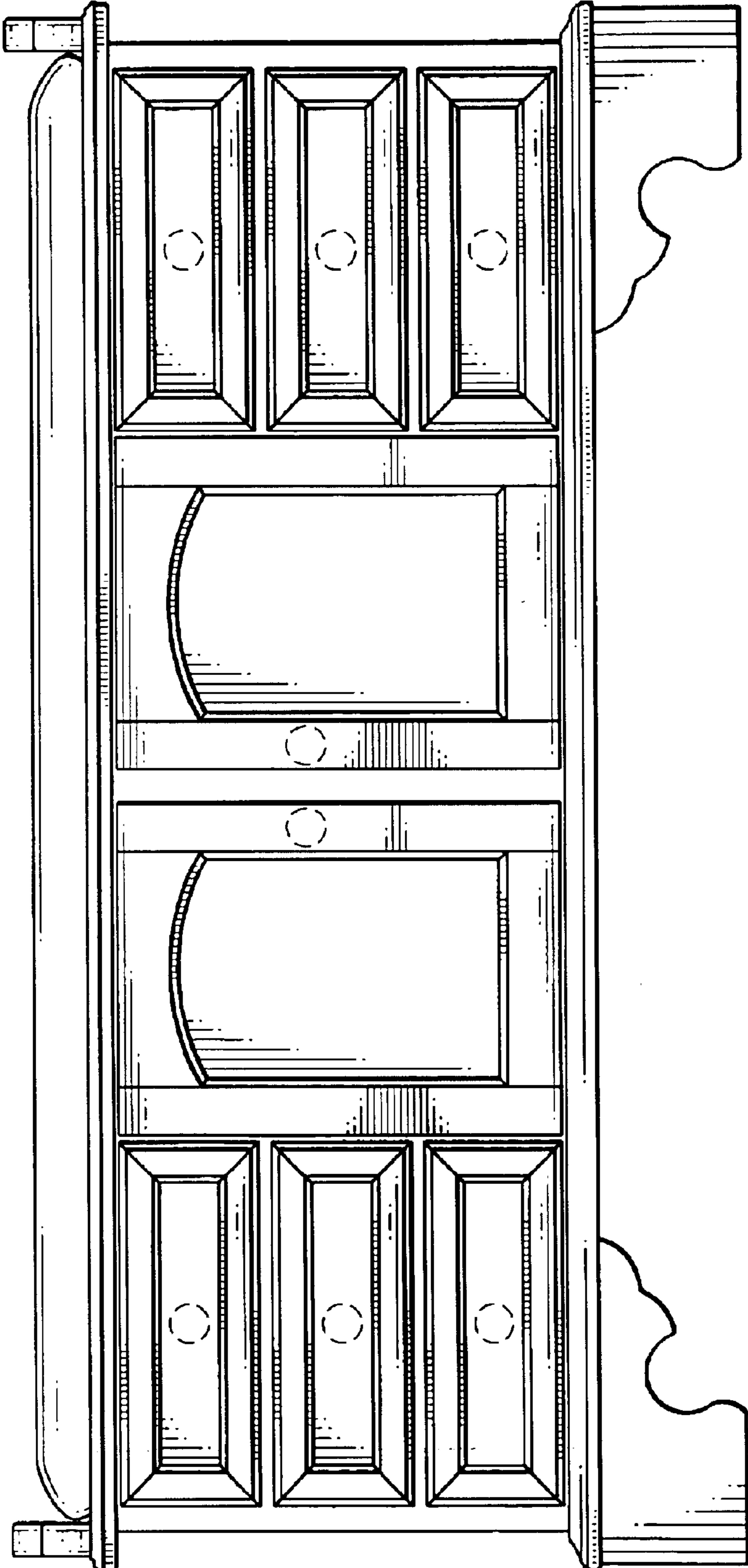


FIG. 3

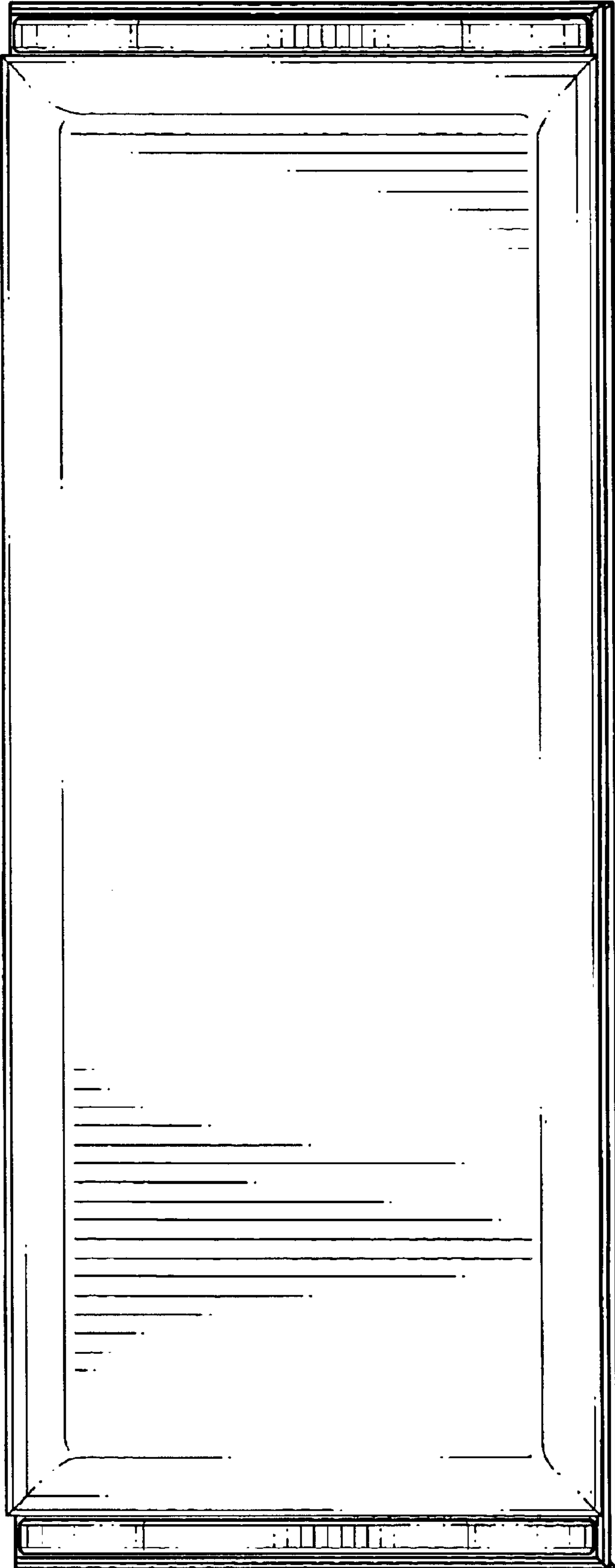


FIG. 4

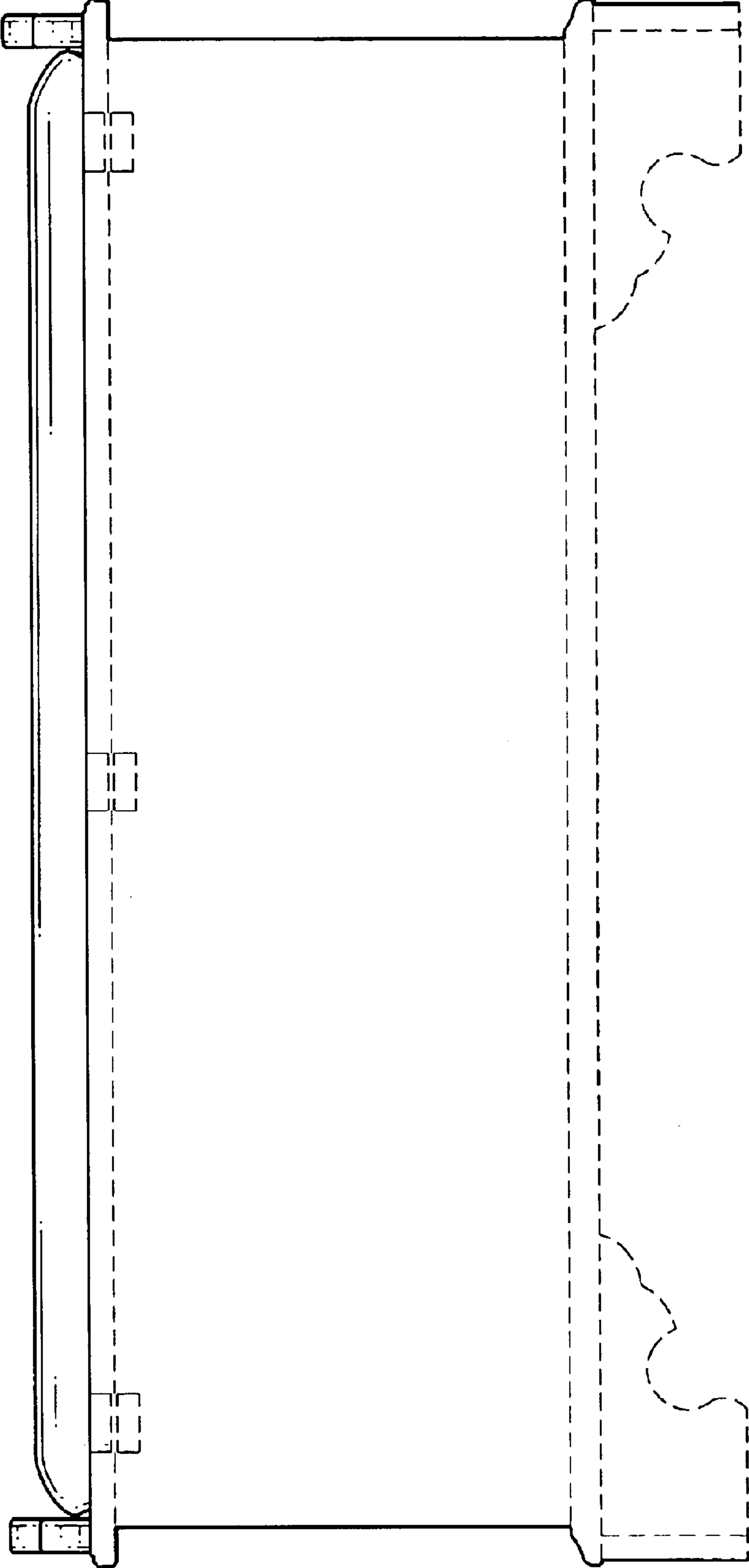


FIG. 5

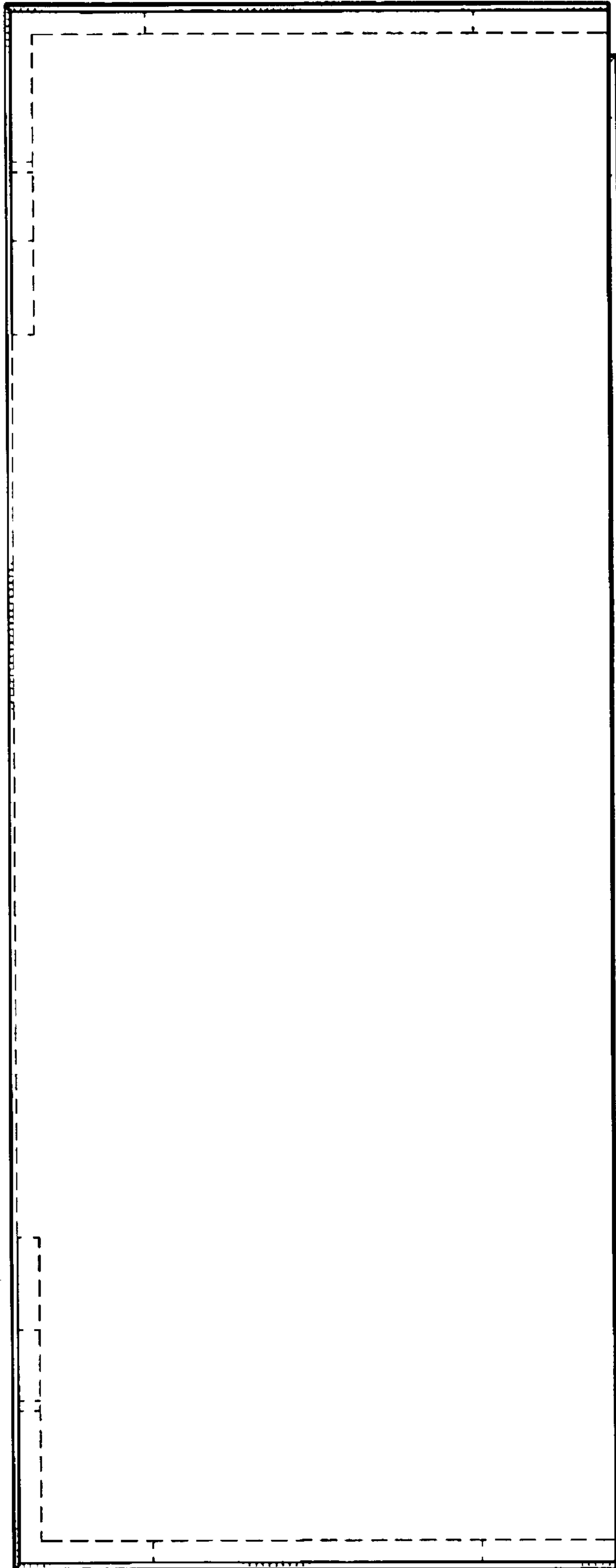


FIG. 6

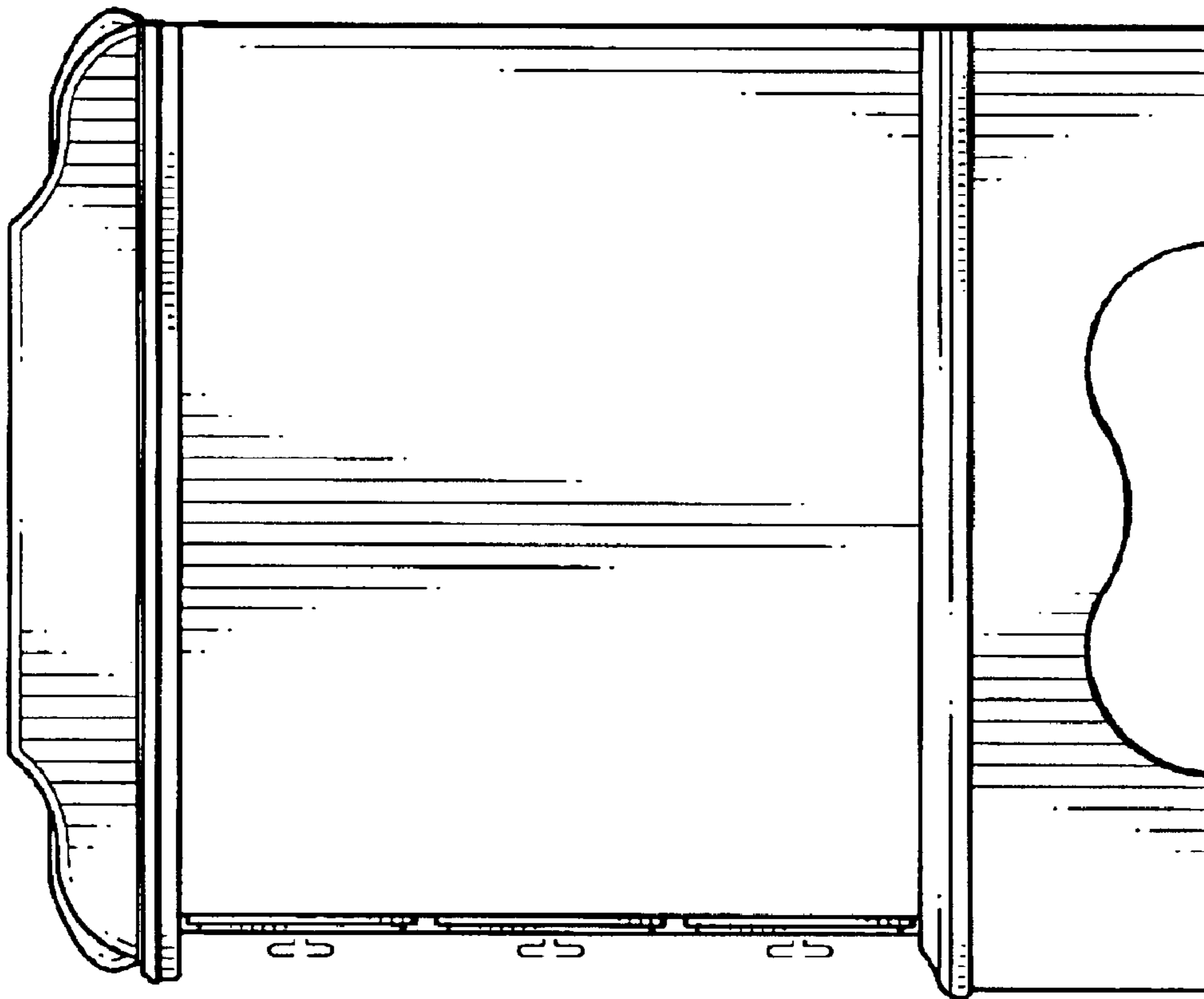


FIG. 7