



US00D497729S1

(12) **United States Design Patent**  
**Peitz et al.**

(10) **Patent No.:** **US D497,729 S**  
(45) **Date of Patent:** **\*\* Nov. 2, 2004**

(54) **CHAIR**

(75) Inventors: **Timothy V. Peitz**, Petersburg, MI (US);  
**Brian E. Williams**, Ida, MI (US)

(73) Assignee: **MTS Burgess**, Temperance, MI (US)

(\*\*) Term: **14 Years**

(21) Appl. No.: **29/192,097**

(22) Filed: **Oct. 17, 2003**

(51) **LOC (7) Cl.** ..... **06-01**

(52) **U.S. Cl.** ..... **D6/379; D6/380**

(58) **Field of Search** ..... D6/334, 335, 374,  
D6/376, 379, 380, 500, 501, 502; 297/445.1,  
446.1

(56) **References Cited**

**U.S. PATENT DOCUMENTS**

1,233,625	A	*	7/1917	Wanner, Jr.	.....	297/446.1
D194,830	S	*	3/1963	Ridder et al.	.....	D6/561
D372,598	S	*	8/1996	Ungaro	.....	D6/380
D381,828	S	*	8/1997	Kemnitzer	.....	D6/379
D384,826	S	*	10/1997	Hutton	.....	D6/334
D414,620	S	*	10/1999	Kabadayan	.....	D6/380
D438,718	S	*	3/2001	Hutton	.....	D6/334
D486,319	S	*	2/2004	Stanton	.....	D6/379
D487,991	S	*	4/2004	O'Hare	.....	D6/379

**OTHER PUBLICATIONS**

U.S. seating Products catalog, p. 1, chairs shown, Mar. 1, 1989.\*  
Shelby Williams, p. 8, chair #8140-AB at bottom right, Oct. 1989.\*

Shelby Williams Website; www.shelbywilliams.com/images/BQT-13A.jpg and BQT-54A.jpg.

MTS Seating Queen Anne and Salon Series Catalog; Copyright 2002; Pub. No. MTSL2011/06/02/10M.

\* cited by examiner

*Primary Examiner*—Gary D. Watson

(74) *Attorney, Agent, or Firm*—Gifford, Krass, Groh, Sprinkle, Anderson & Citkowski, PC

(57) **CLAIM**

We claim the ornamental design for a chair, as shown and described.

**DESCRIPTION**

FIG. 1 is a perspective view of a chair according to the present invention;

FIG. 2 is a front elevational view of the chair of FIG. 1;

FIG. 3 is a side elevational view of the chair of FIGS. 1 and 2, the opposite side being a mirror image thereof;

FIG. 4 is a rear elevational view of the chair of FIGS. 1-3;

FIG. 5 is a top plan view of the chair of FIGS. 1-4;

FIG. 6 is a bottom view of the chair of FIGS. 1-5;

FIG. 7 is a perspective view of the second embodiment of a chair according to the present invention;

FIG. 8 is a front elevational view of the chair of FIG. 7;

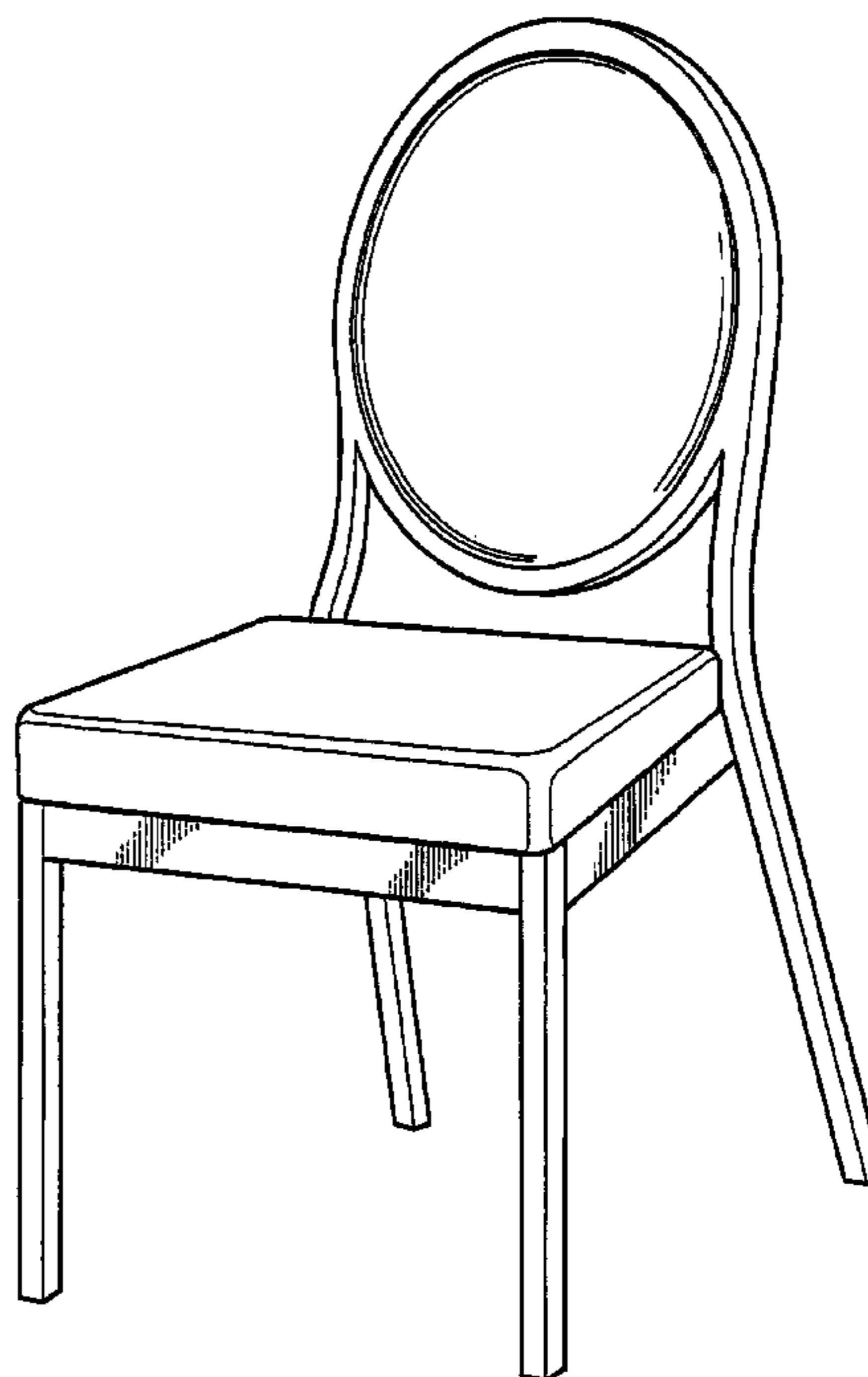
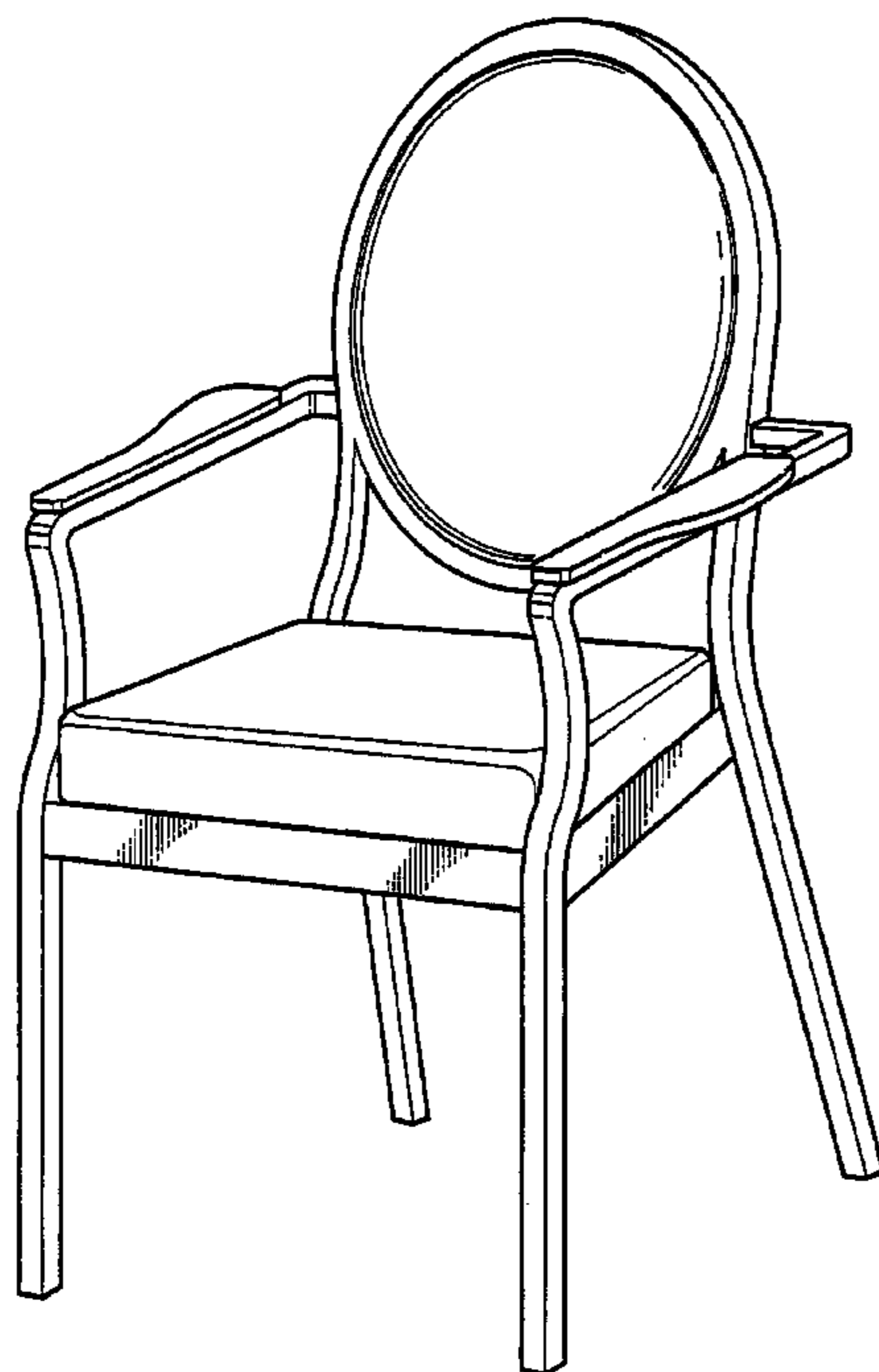
FIG. 9 is a side elevational view of the chair of FIGS. 7 and 8, the opposite side being a mirror image thereof;

FIG. 10 is a rear elevational view of the chair of FIGS. 7-9;

FIG. 11 is a top plan view of the chair of FIGS. 7-10; and,

FIG. 12 is a bottom plan view of the chair of FIGS. 7-11.

**1 Claim, 6 Drawing Sheets**



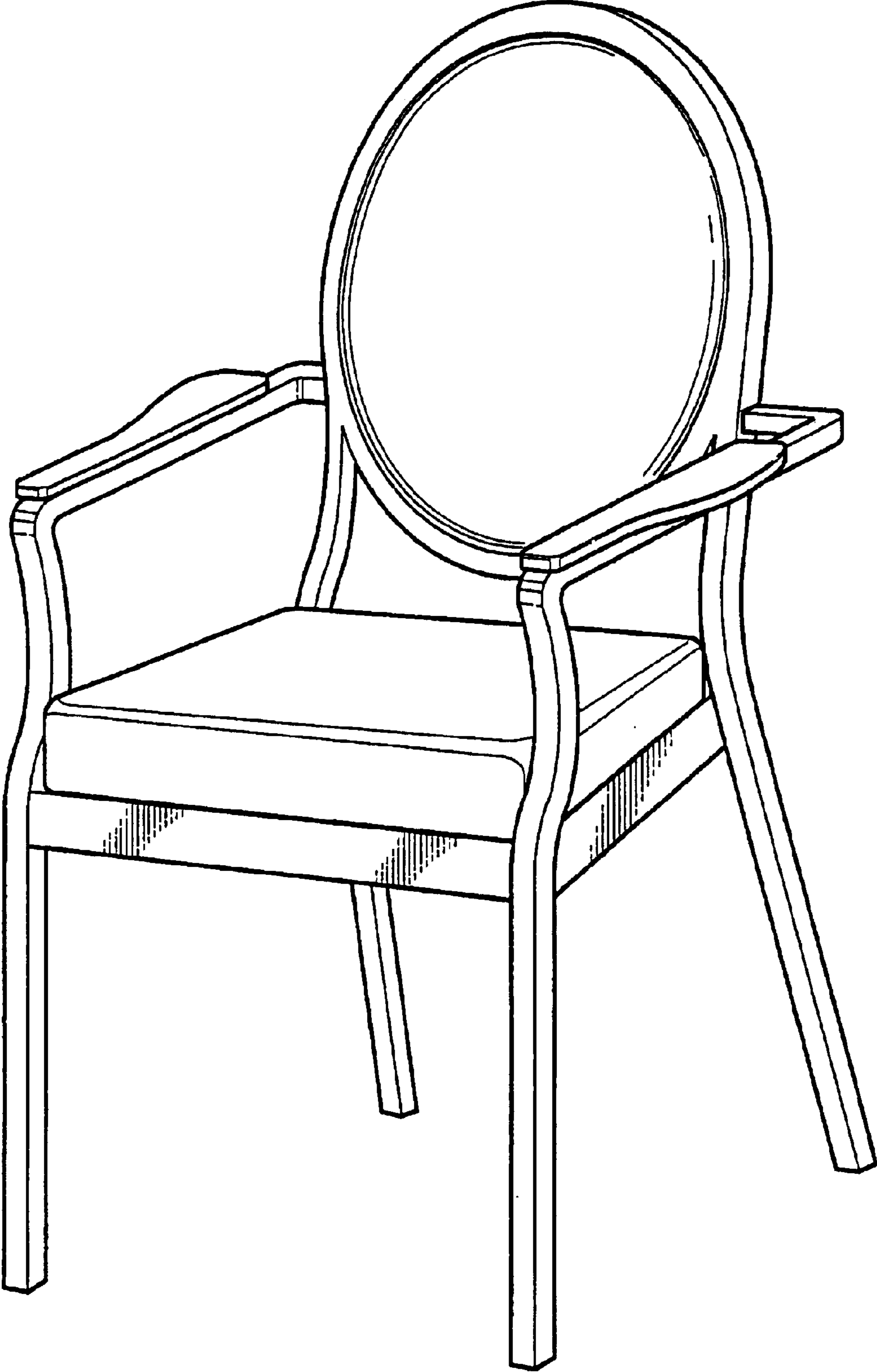


FIG - 1

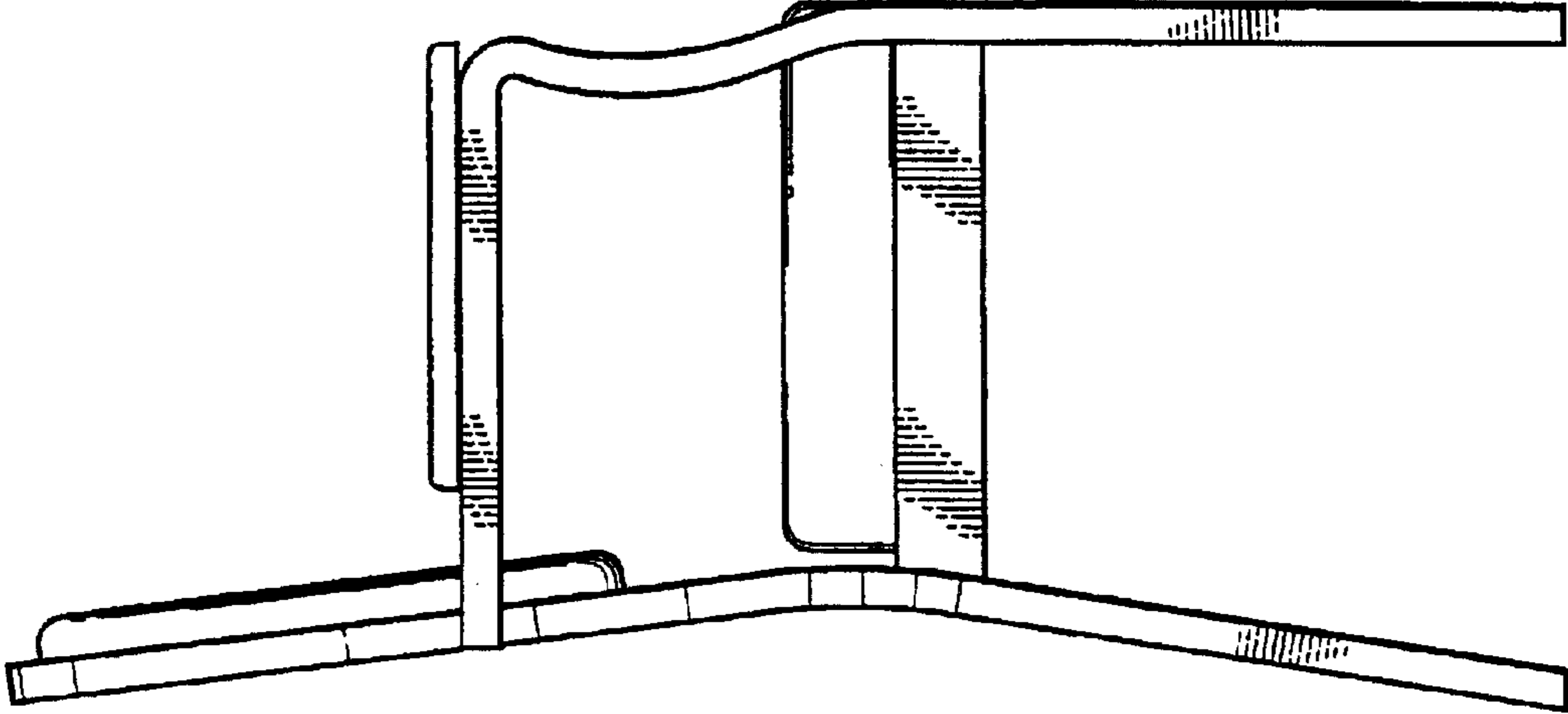


FIG - 3

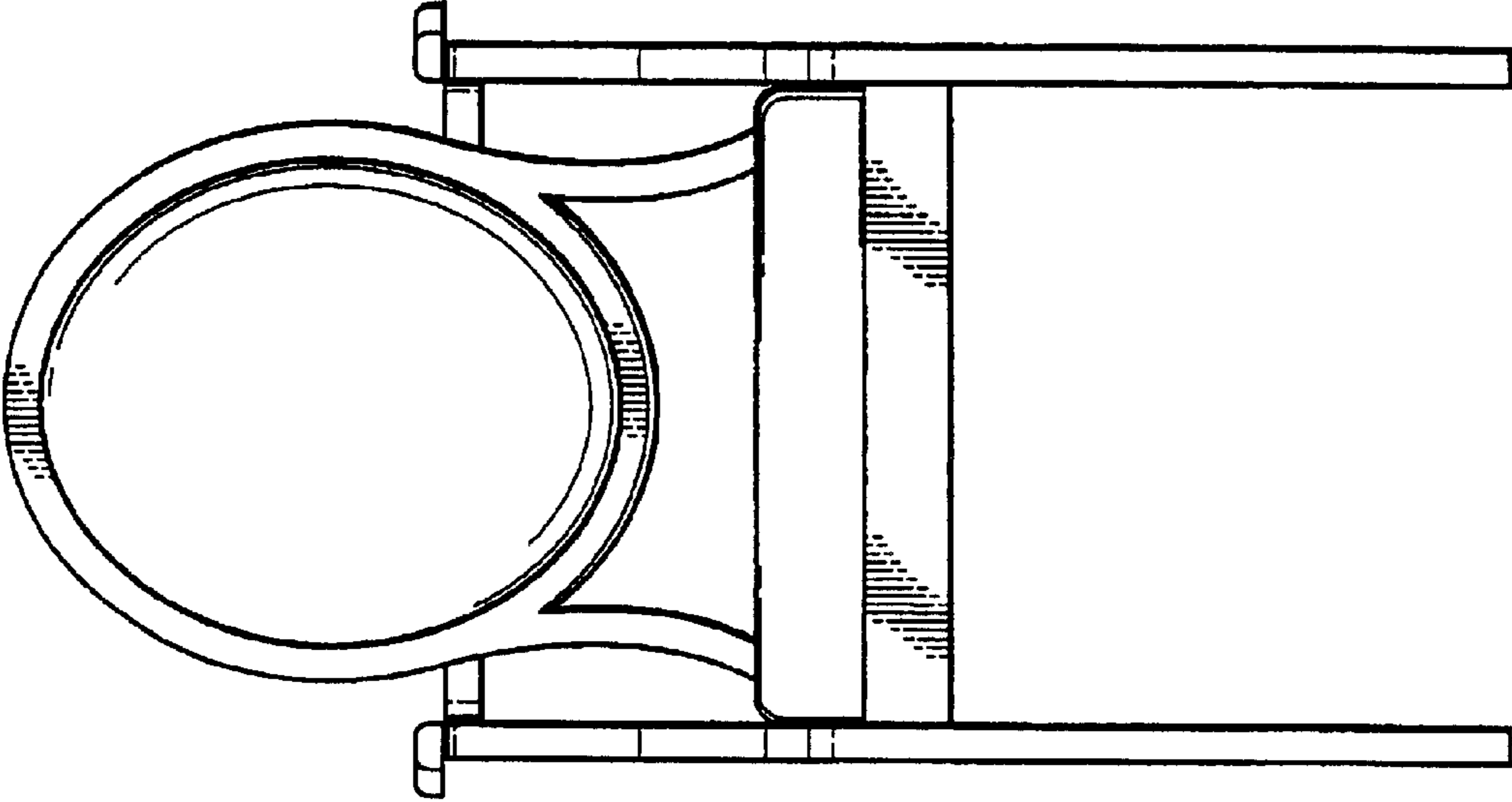
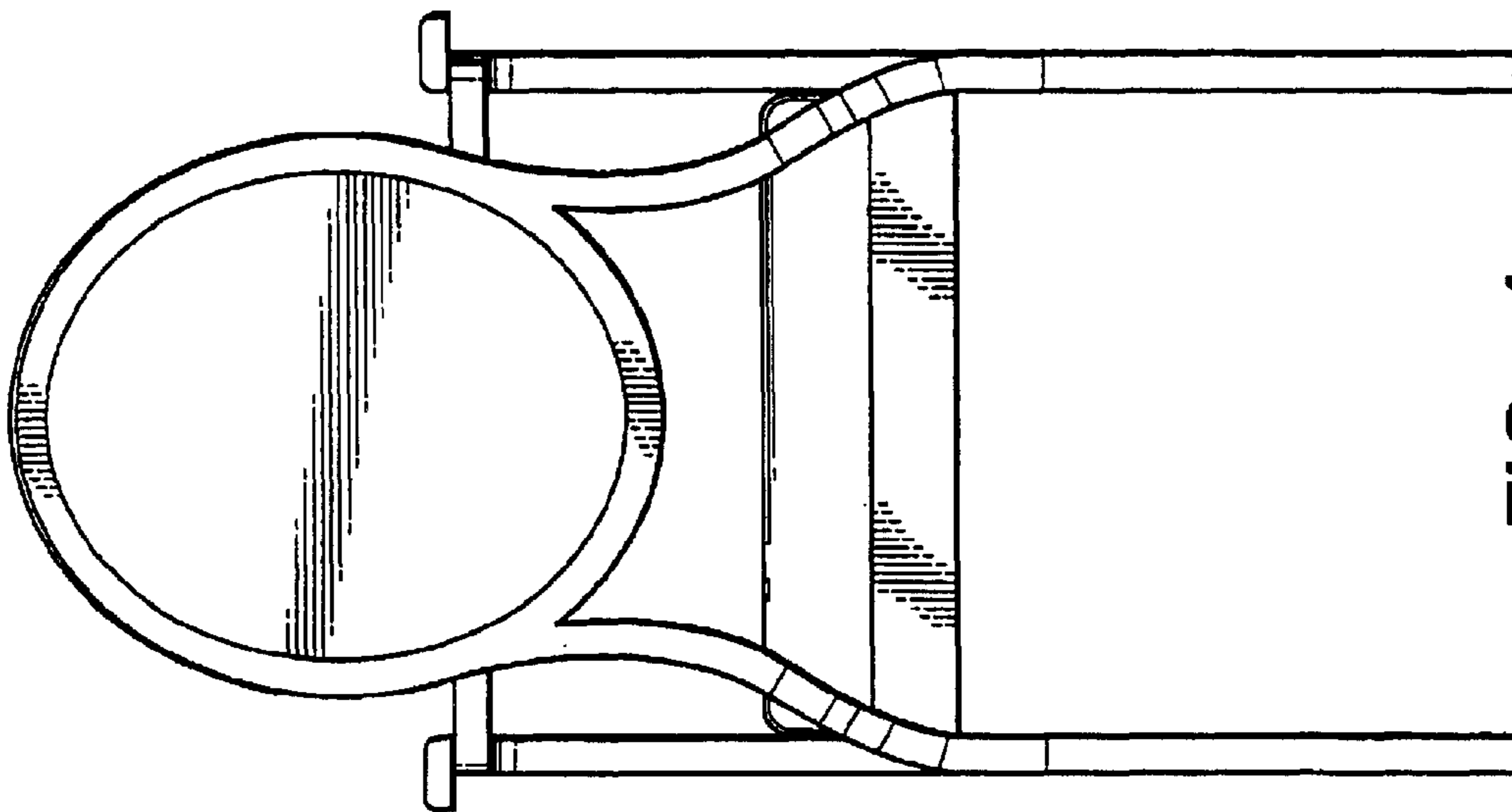
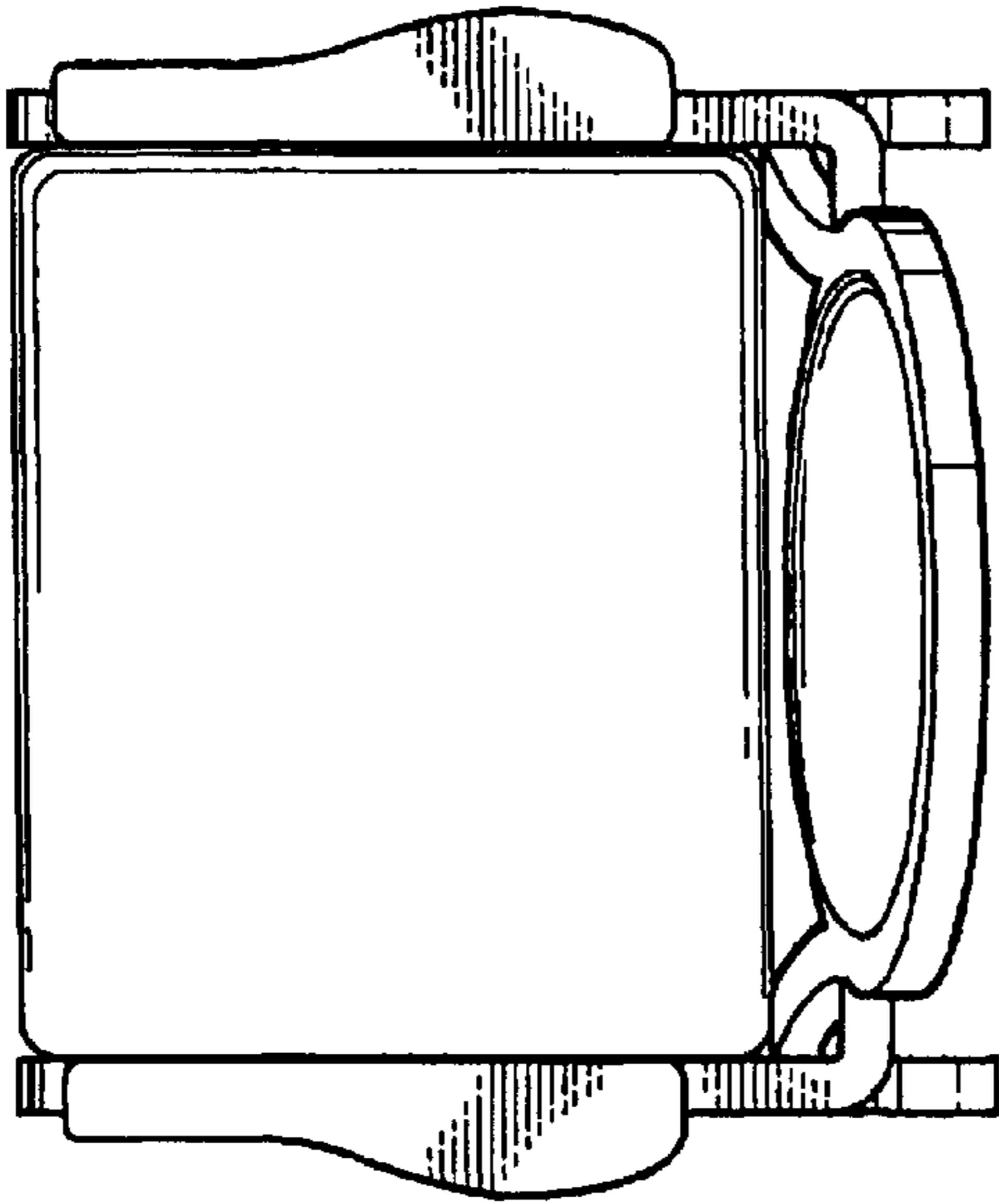


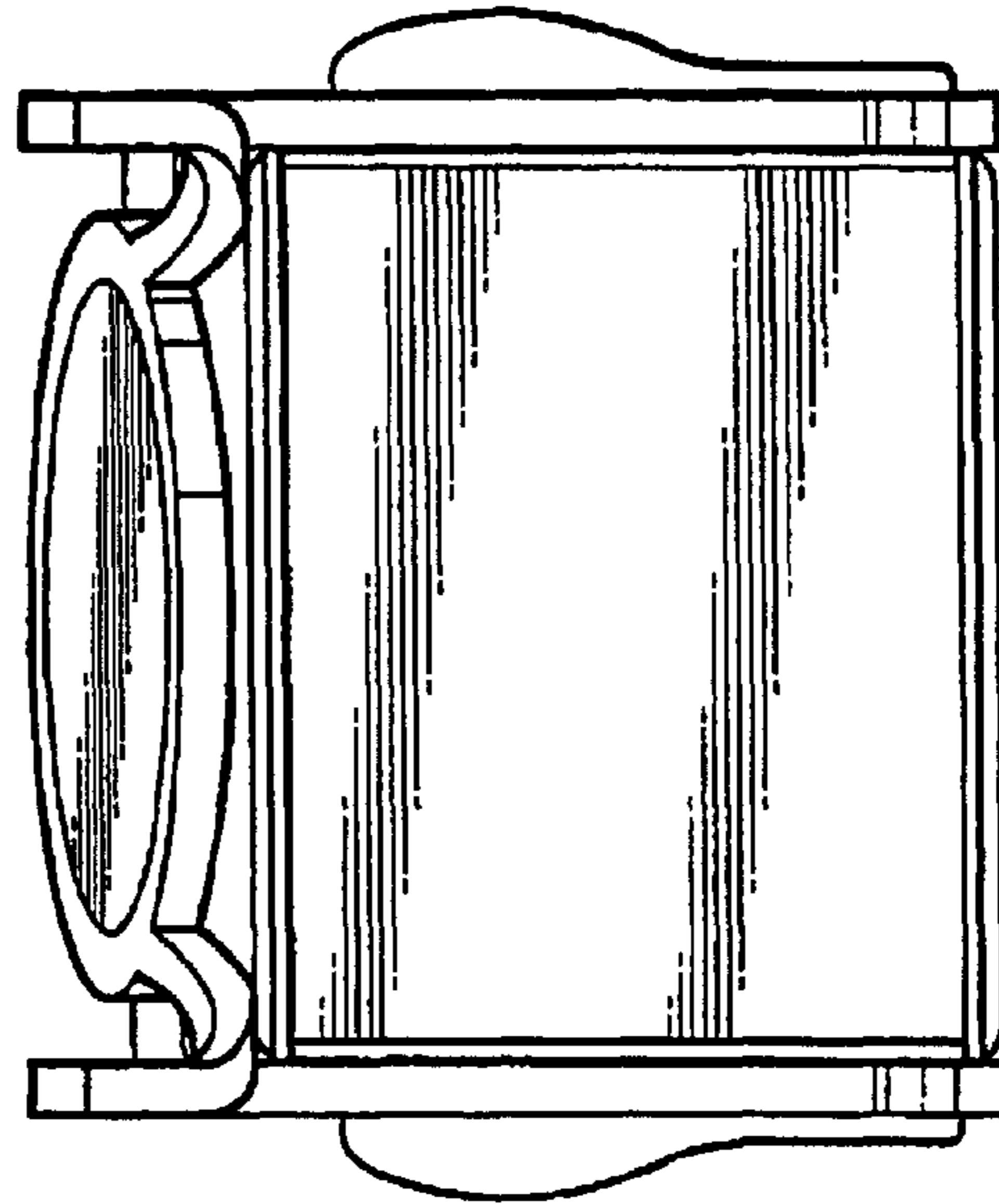
FIG - 2



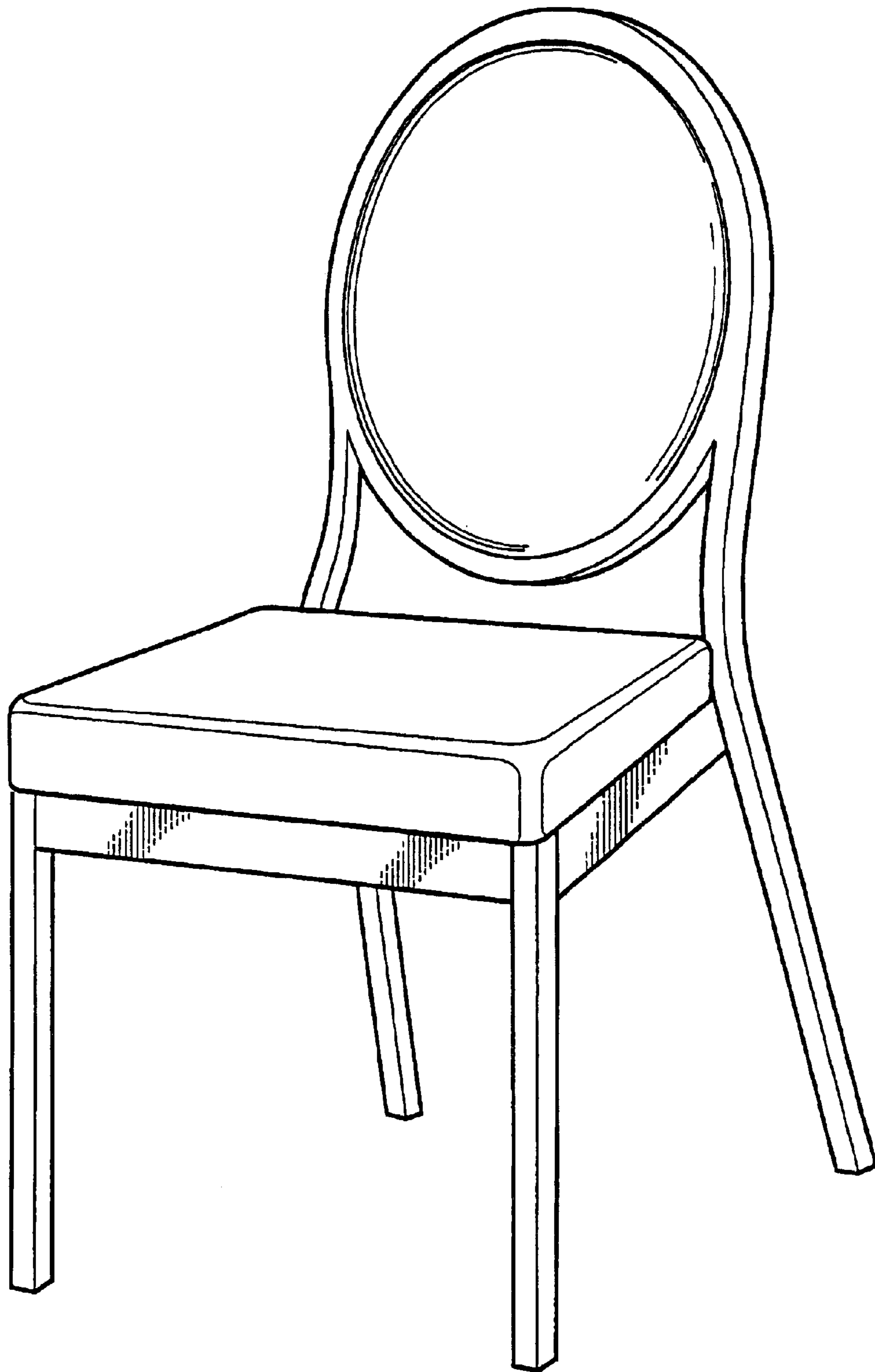
**FIG - 4**



**FIG - 5**



**FIG - 6**



**FIG - 7**

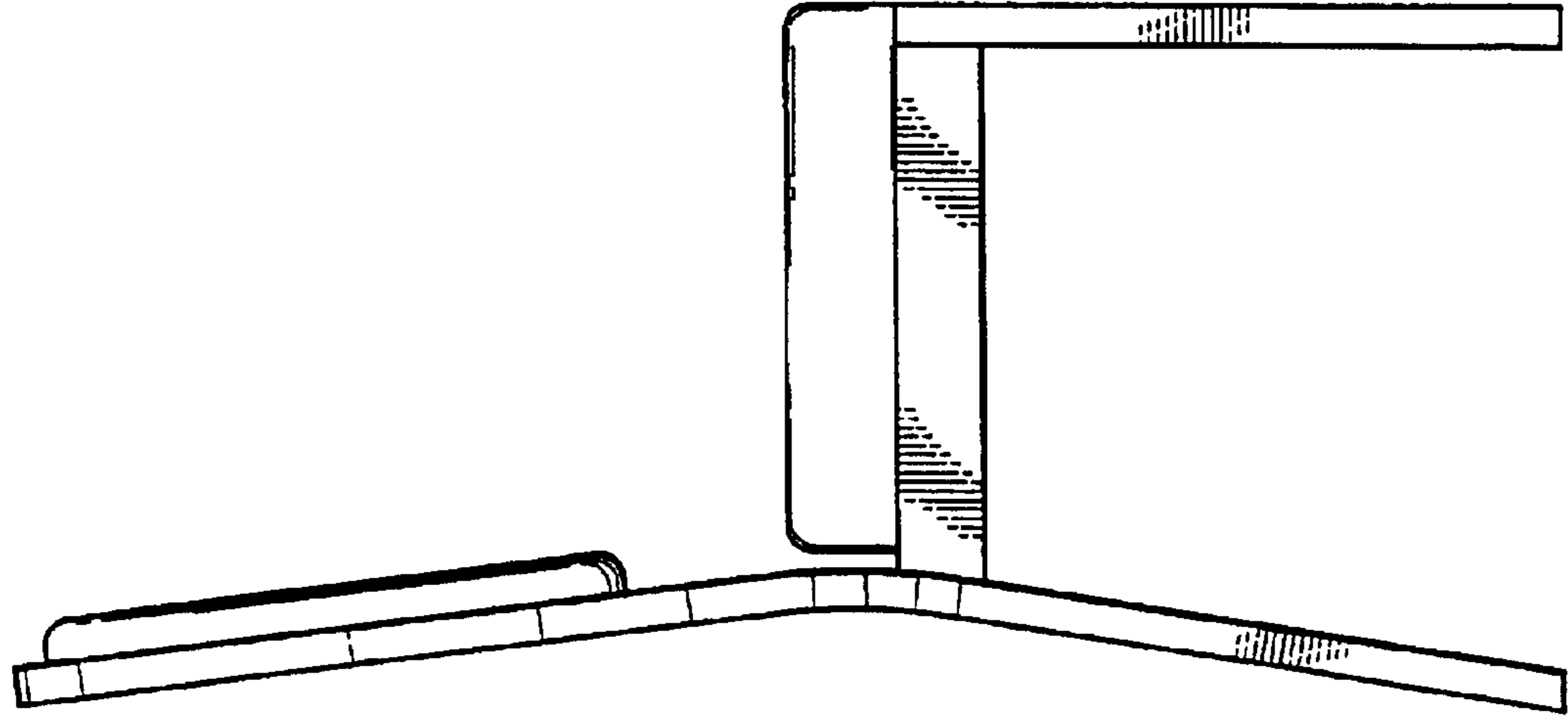


FIG - 9

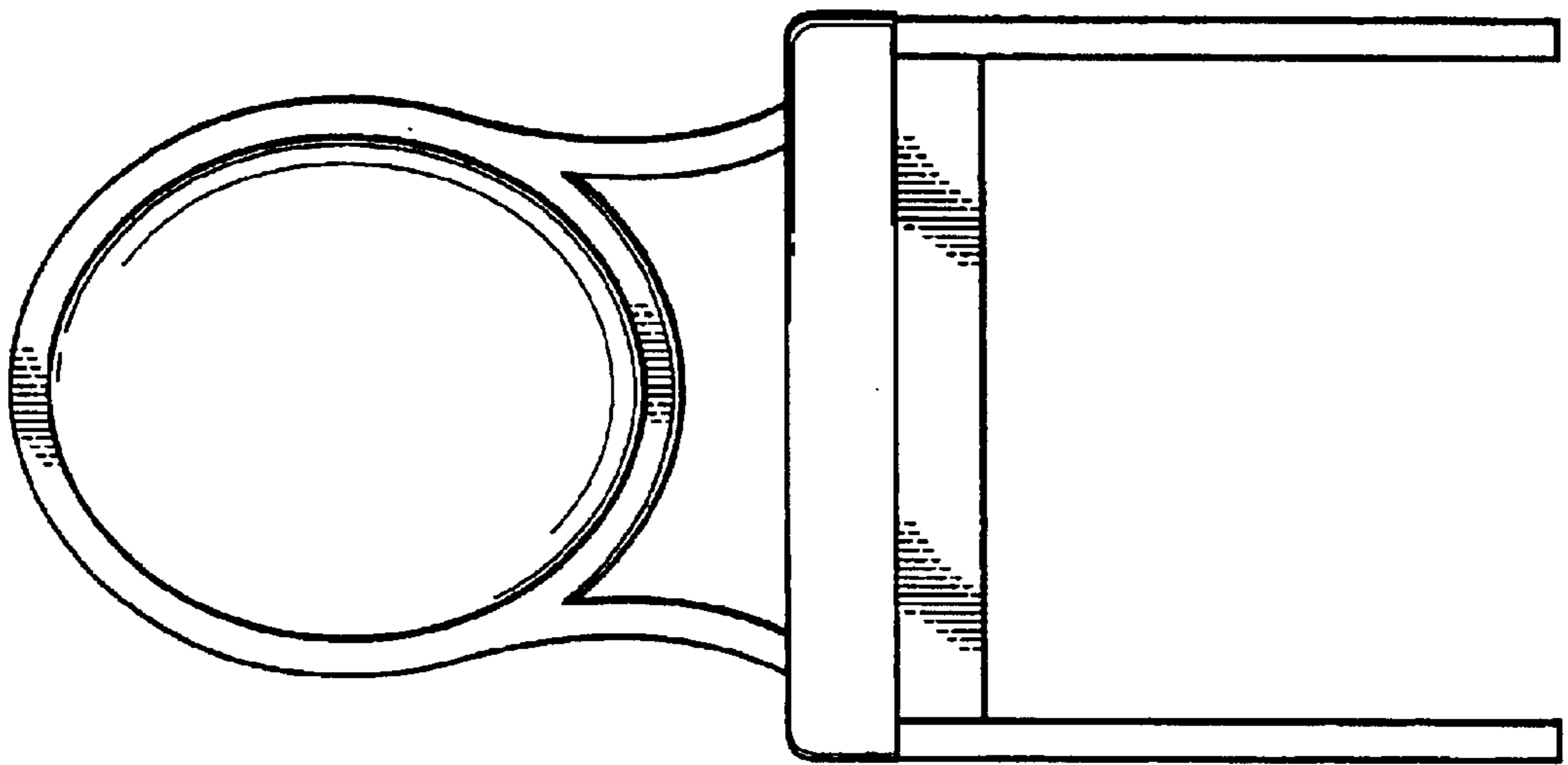


FIG - 8

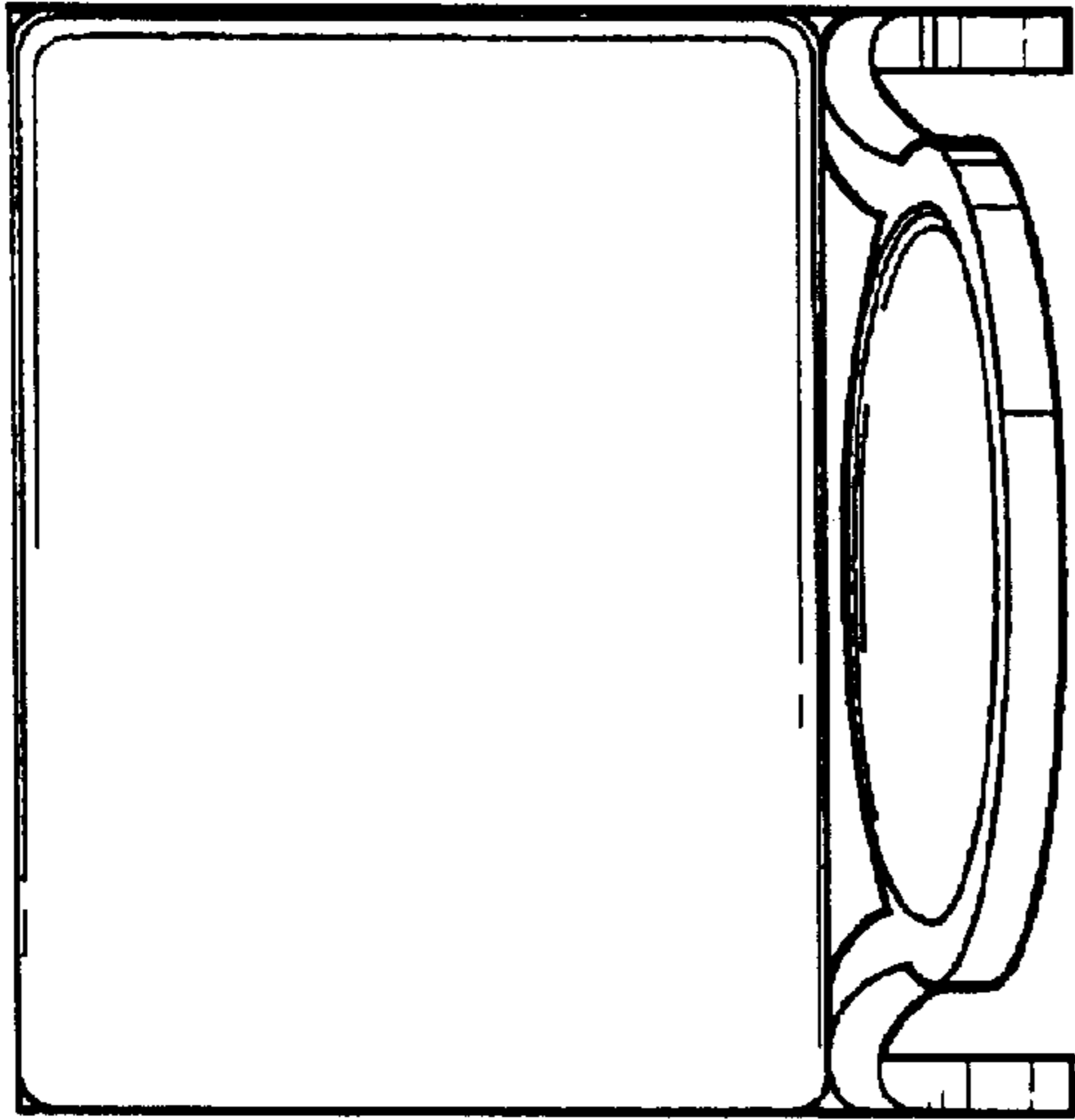


FIG - 11

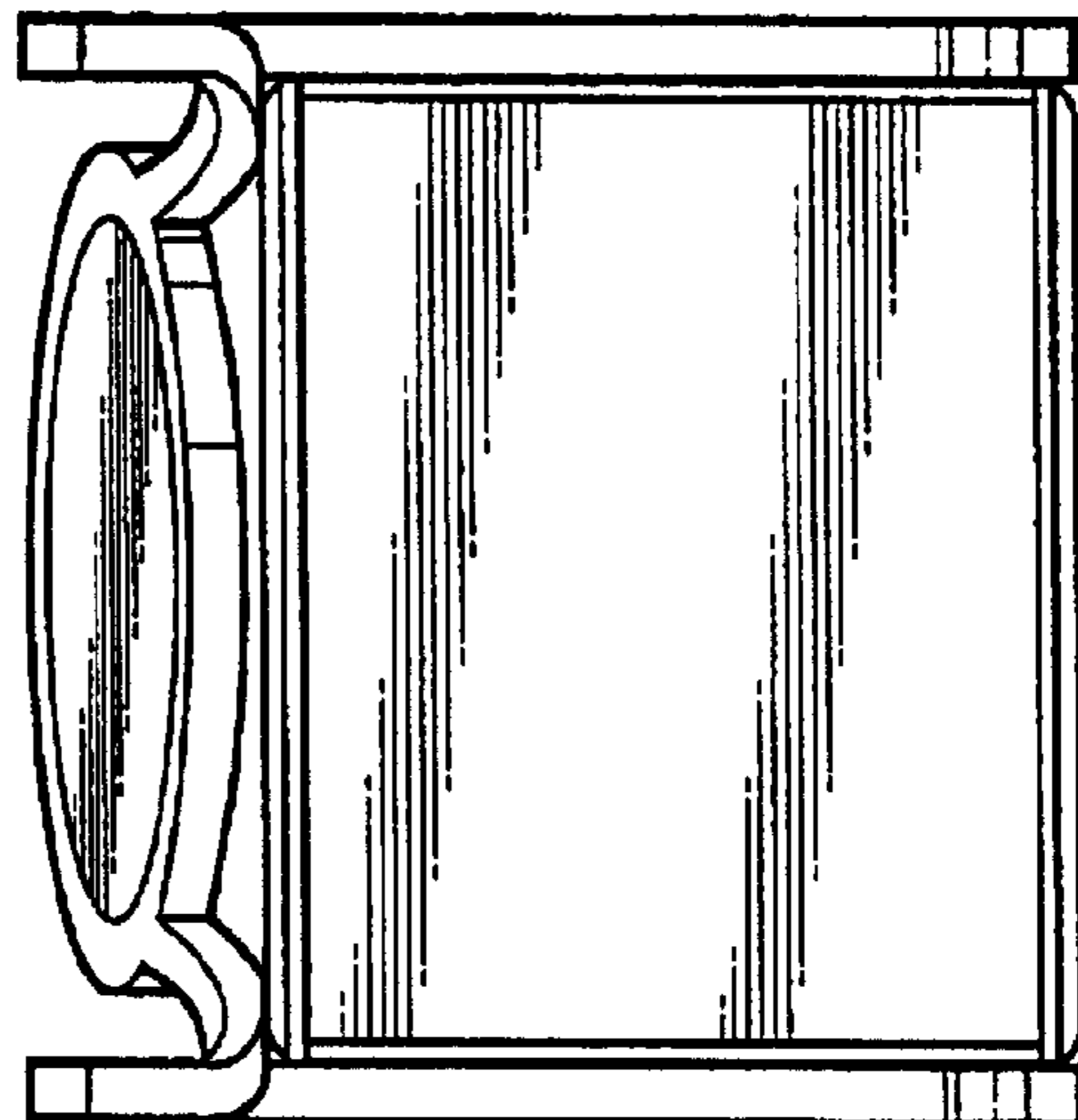


FIG - 12

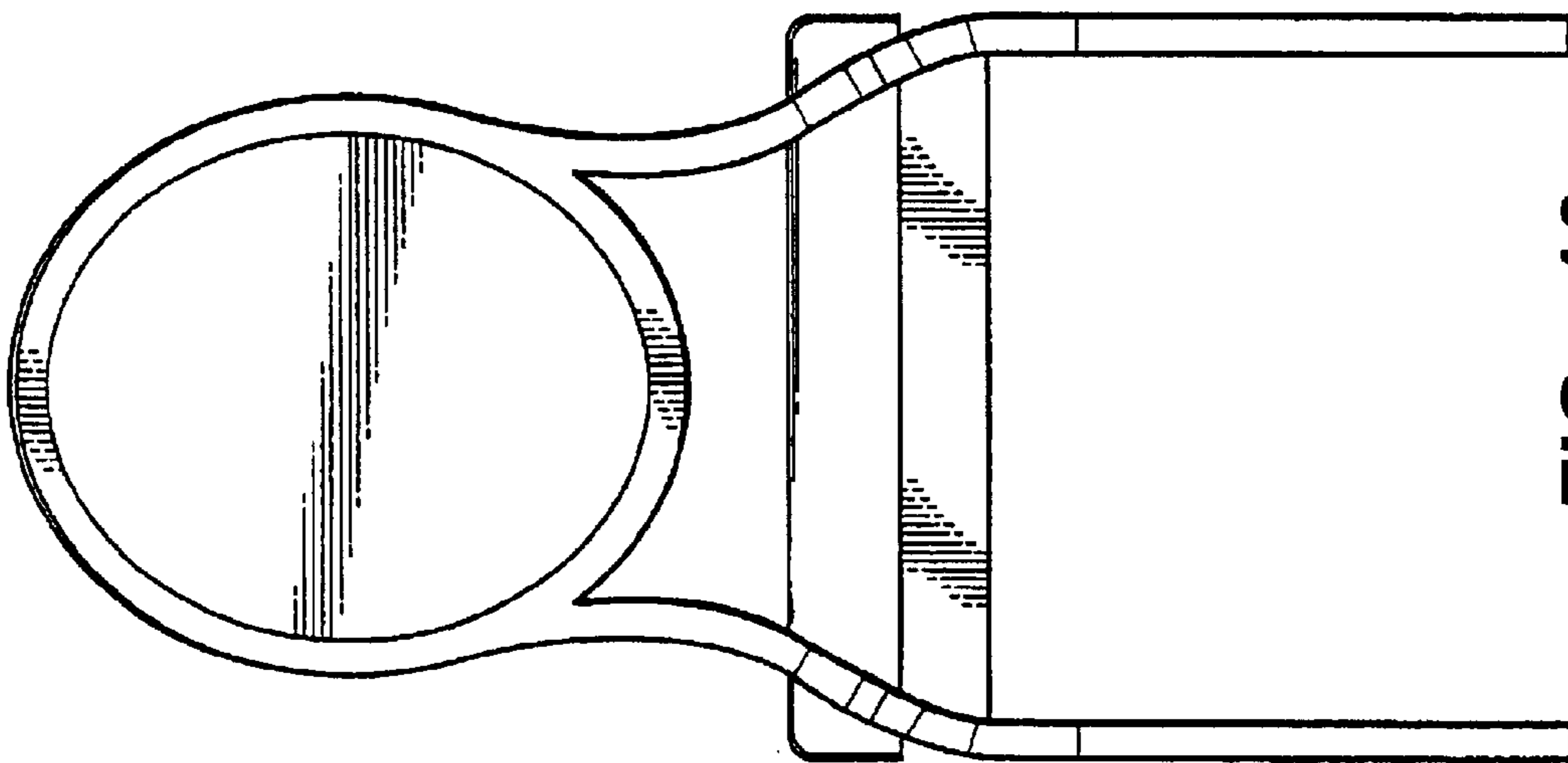


FIG - 10