

US00D497726S1

(12) **United States Design Patent**
White

(10) **Patent No.:** **US D497,726 S**

(45) **Date of Patent:** **** Nov. 2, 2004**

(54) **PORCH SWING**

(76) **Inventor:** **Scot P. White**, 3121 Oak Dr.,
Dickinson, TX (US) 77539

(**) **Term:** **14 Years**

(21) **Appl. No.:** **29/201,356**

(22) **Filed:** **Mar. 15, 2004**

(51) **LOC (7) Cl.** **06-01**

(52) **U.S. Cl.** **D6/347; D6/344**

(58) **Field of Search** D6/334, 335, 344,
D6/346, 347, 374, 370, 375, 376, 381,
500-502; D21/823, 825; 248/163.2; 297/232,
273, 276-278, 280, 281, 452.19, 452.2,
452.63; 472/118, 125

(56) **References Cited**

U.S. PATENT DOCUMENTS

790,242 A	*	5/1905	Yeager	297/281
872,736 A	*	12/1907	Lansberry, Jr.	297/276
900,649 A	*	10/1908	Best	297/280
1,013,956 A	*	1/1912	Sanders	297/278
1,107,341 A	*	8/1914	Oldfield	297/273

1,266,129 A	*	5/1918	Killman	297/281
D247,833 S	*	5/1978	Kearns et al.	D6/347
4,456,244 A	*	6/1984	Andrews	472/125
D327,584 S	*	7/1992	Braxton, III	D6/347
D405,278 S	*	2/1999	Pomeroy et al.	D6/347
5,957,536 A	*	9/1999	Sullivan	297/452.2
2004/0046431 A1	*	3/2004	Noll	297/281

* cited by examiner

Primary Examiner—Mimosa De

(74) *Attorney, Agent, or Firm*—Kenneth A. Roddy

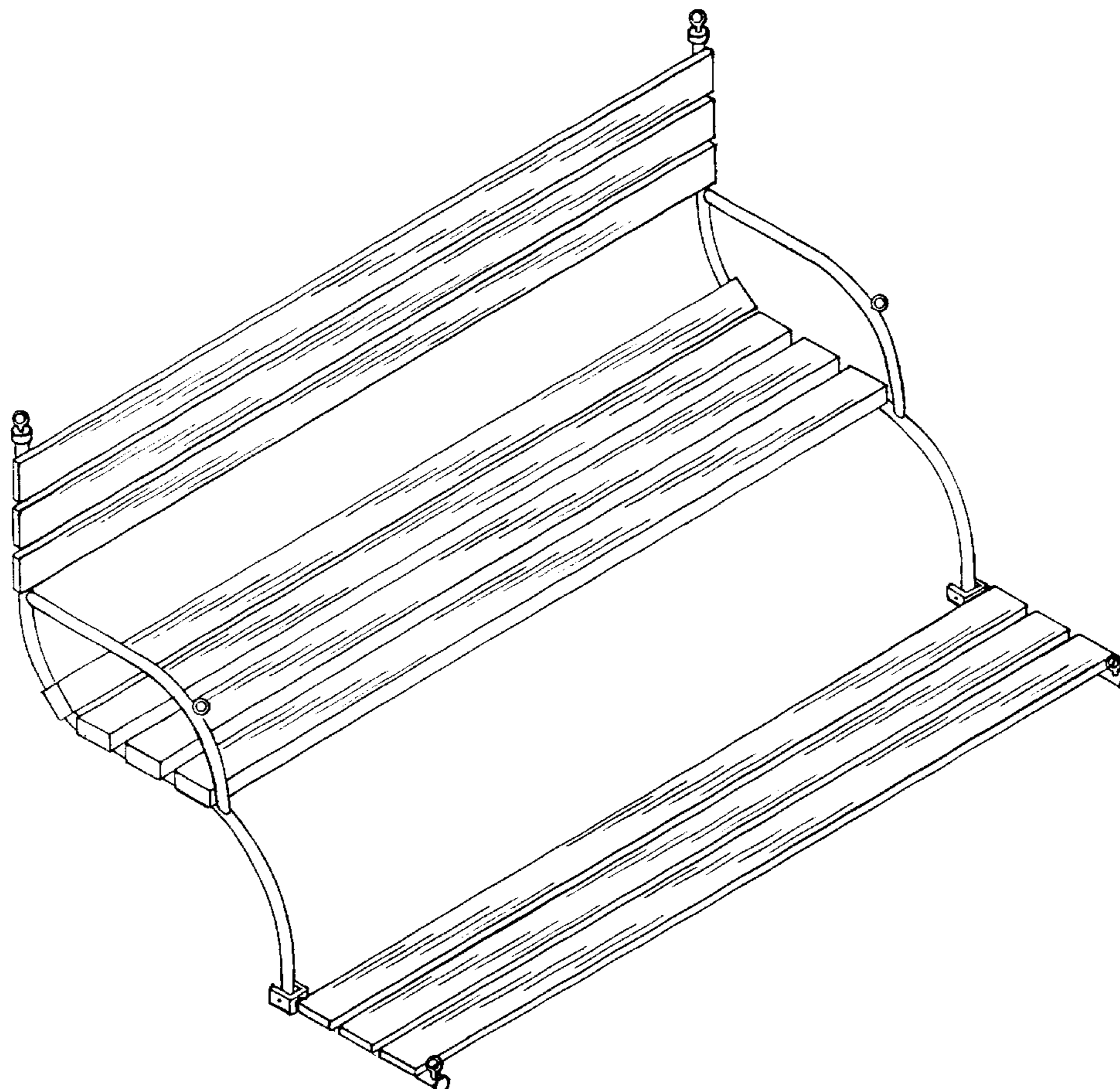
(57) **CLAIM**

The ornamental design for a porch swing, as shown and described.

DESCRIPTION

FIG. 1 is a perspective view of a porch swing, showing my new design from the top, front and one side; FIG. 2 is a side elevation view thereof, the opposite side being a mirror image thereof; FIG. 3 is a front elevation view thereof; and, FIG. 4 is a top plan view thereof.

1 Claim, 3 Drawing Sheets



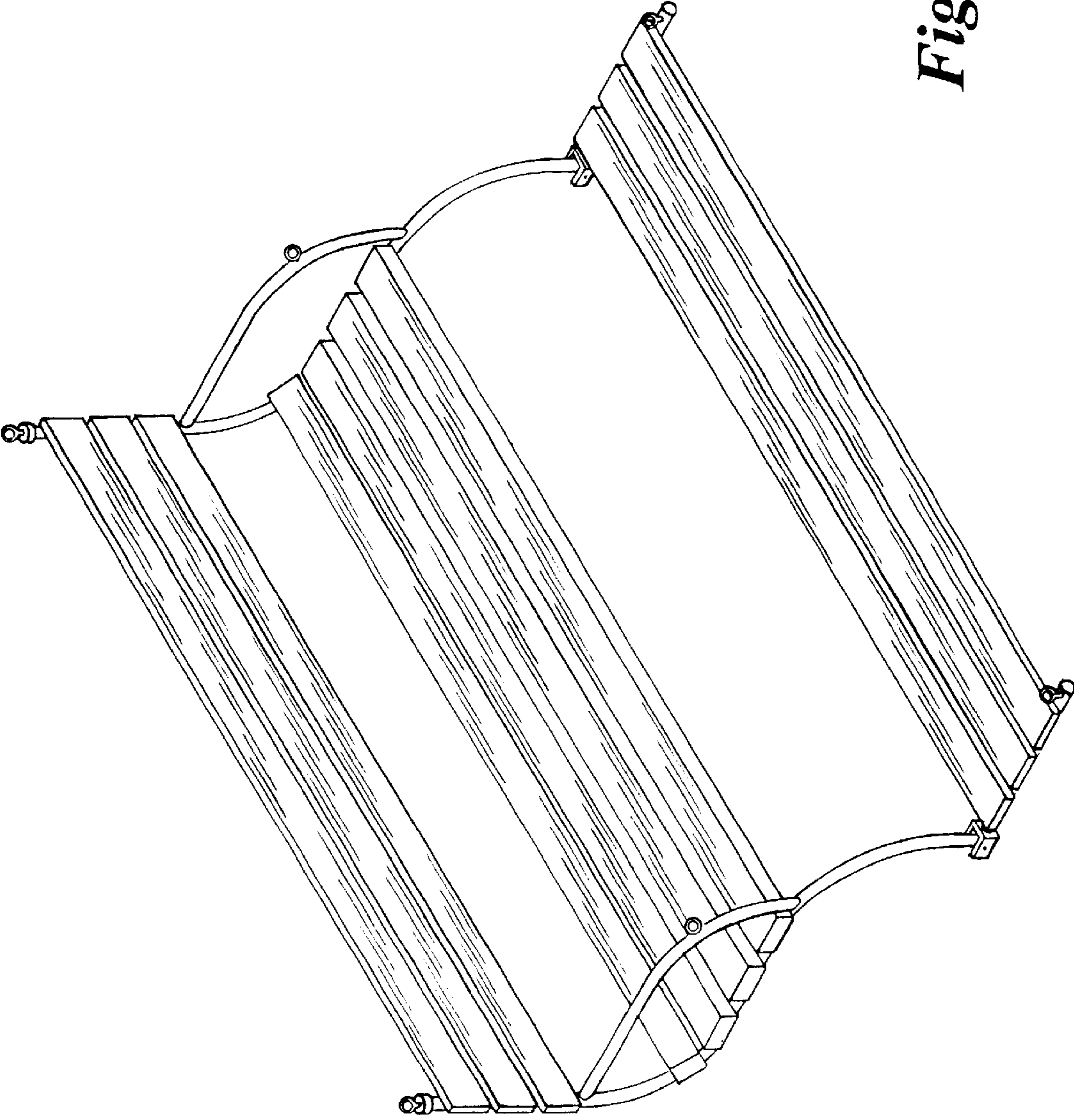


Fig. 1

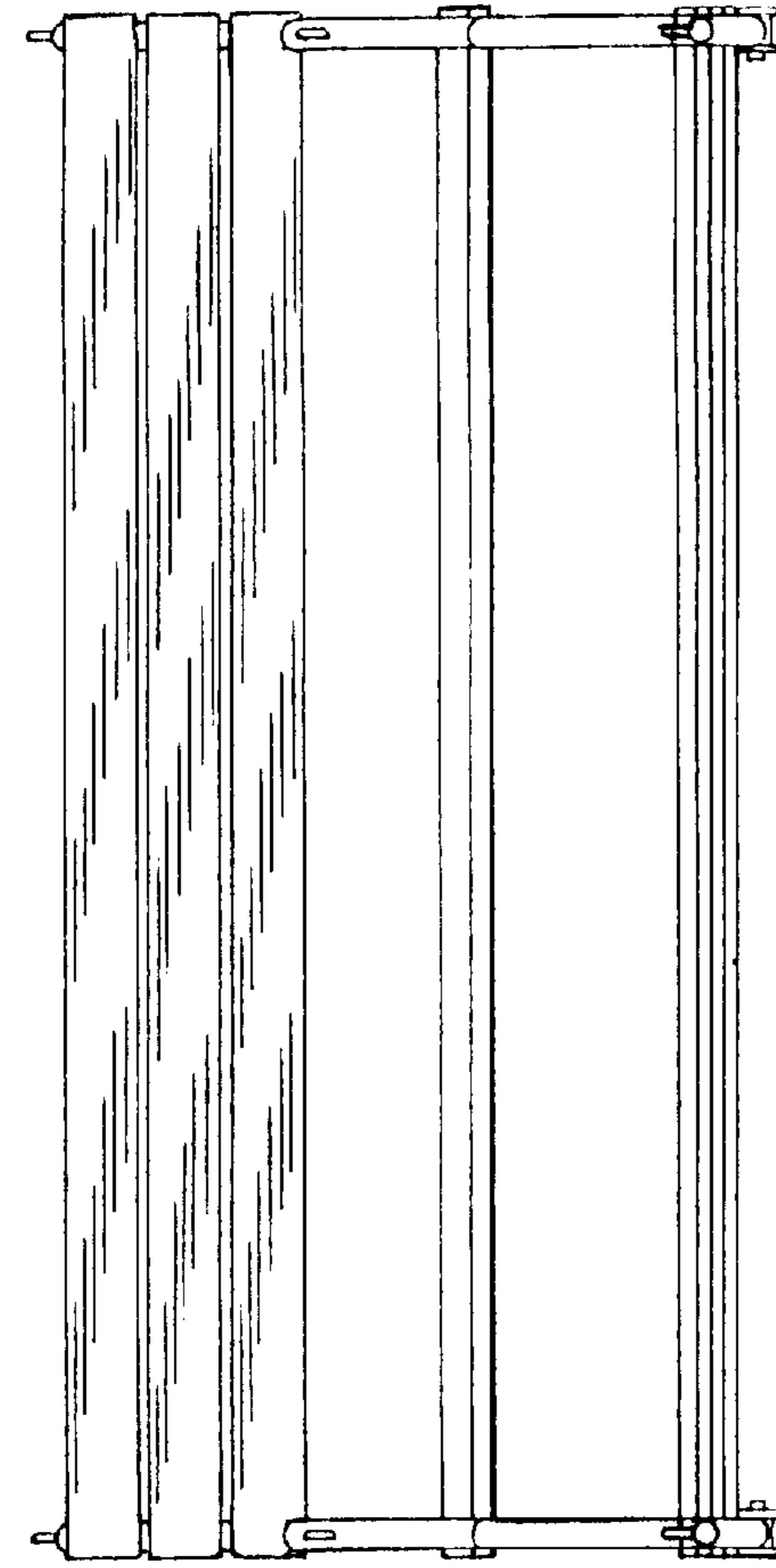


Fig. 3

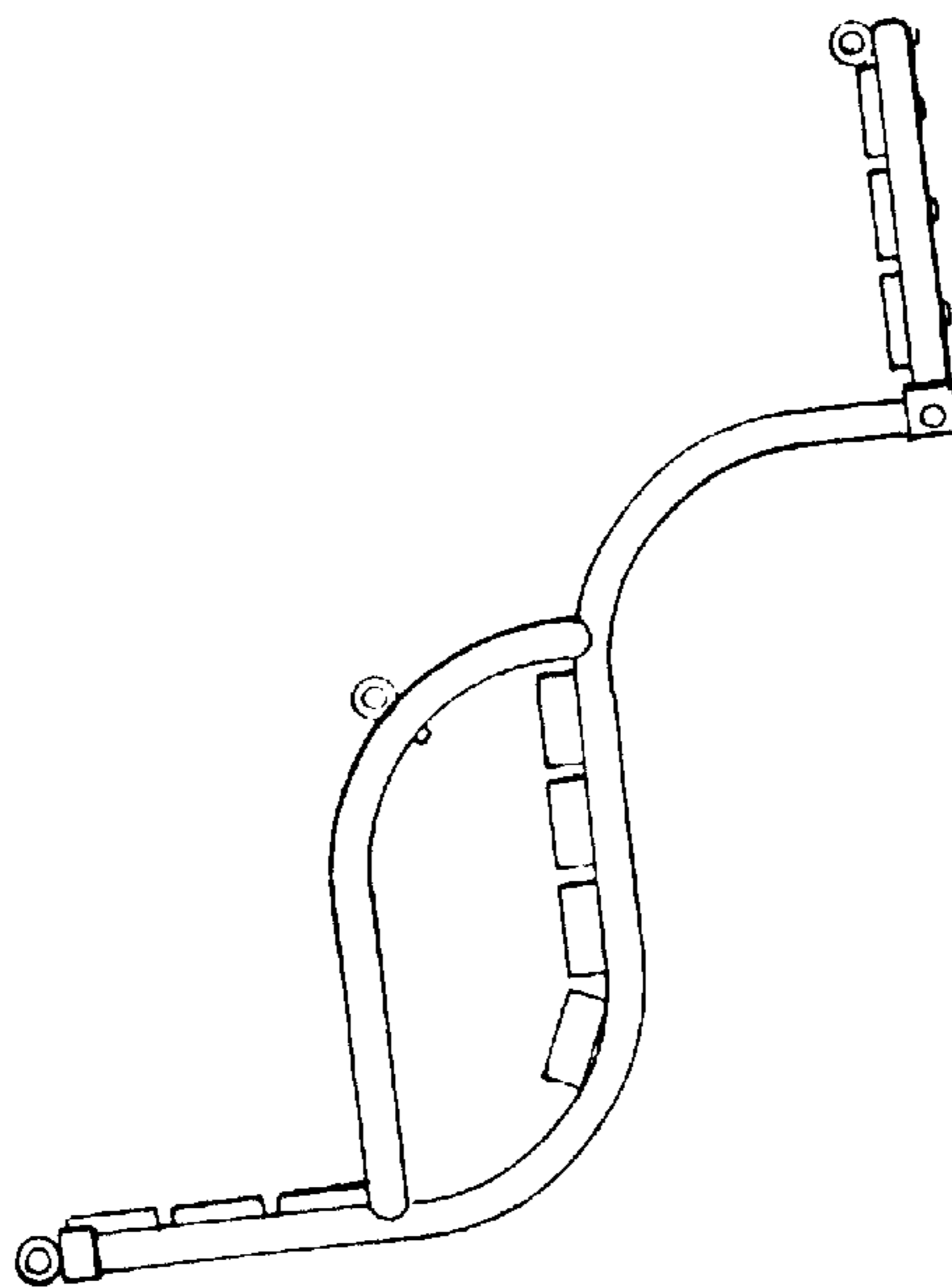


Fig. 2

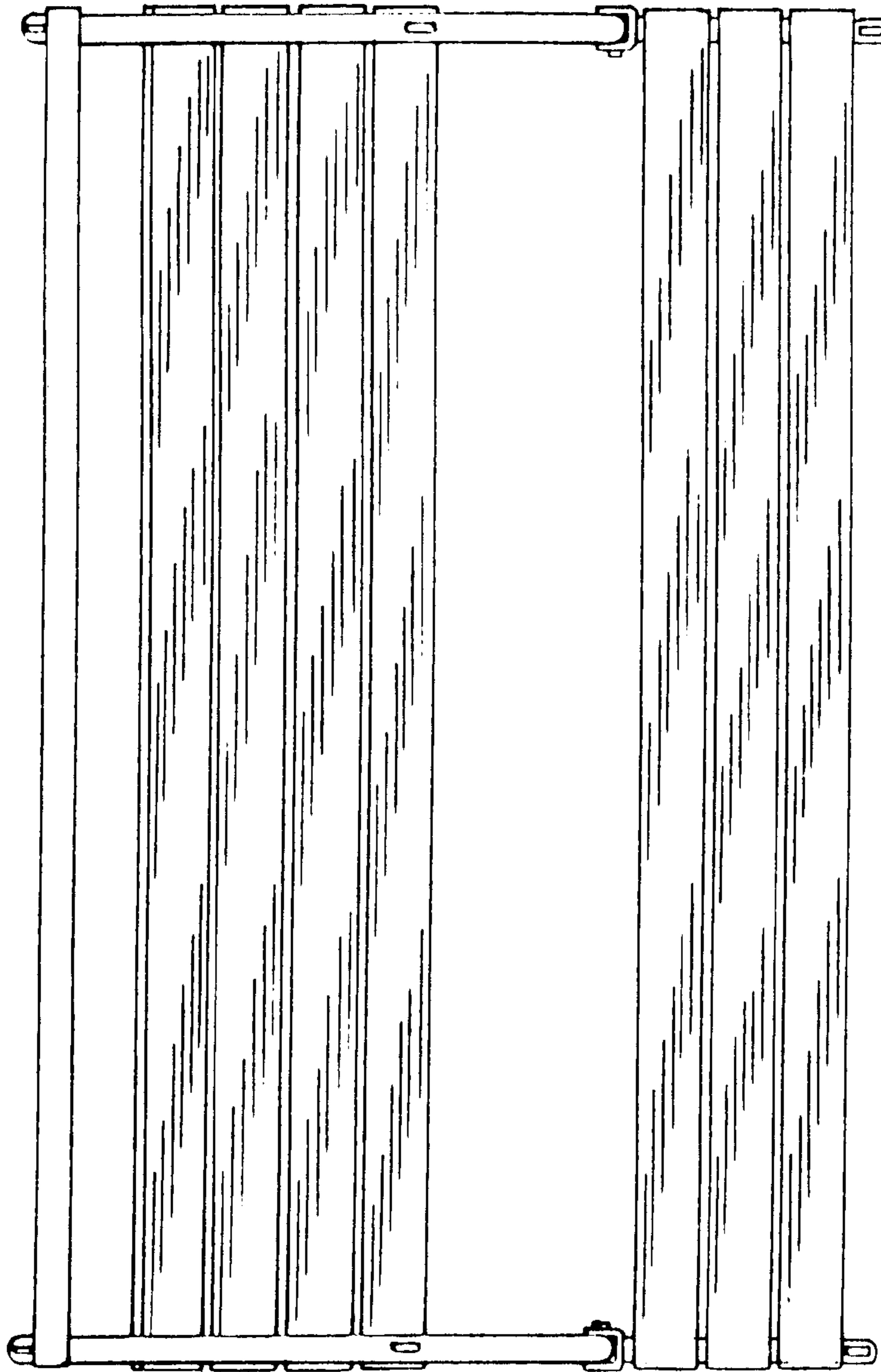


Fig. 4