

US00D497723S1

(12) **United States Design Patent**
Sickler

(10) **Patent No.:** **US D497,723 S**

(45) **Date of Patent:** **** Nov. 2, 2004**

(54) **EXPANDABLE BROOM**

(75) **Inventor:** **Vicki Sickler**, Emporia, KS (US)

(73) **Assignee:** **Hopkins Manufacturing Corp.**,
Emporia, KS (US)

(**) **Term:** **14 Years**

(21) **Appl. No.:** **29/196,372**

(22) **Filed:** **Dec. 29, 2003**

(51) **LOC (7) Cl.** **04-01**

(52) **U.S. Cl.** **D4/121; D4/135**

(58) **Field of Search** D4/121, 132, 135,
D4/138, 199; 15/143.1, 144.1, 144.3, 144.4,
145, 159.1, 160, 168, 171, 173-175, 176.1,
176.4, 177, 191.1; 16/429; D32/50-51

(56) **References Cited**

U.S. PATENT DOCUMENTS

184,918	A	*	11/1876	Siddall	15/143.1
1,980,655	A	*	11/1934	Balistreri	15/143.1
D317,068	S	*	5/1991	Bosworth	D32/51
D359,853	S	*	7/1995	Haug	D4/132
5,940,933	A	*	8/1999	Chang	15/144.4
D472,716	S	*	4/2003	Hay	D4/199
D487,974	S	*	4/2004	Pinochi	D4/135

OTHER PUBLICATIONS

WIPO DM/061 157 Industrial Design Deposit, (France Scope M.P. S.R.L.) Oct. 16, 2001, [online], [retrieved on Jun. 23, 2004] Retrieved from the Hahue Design Database using Internet <URL: http://www.wipo.int>.*

* cited by examiner

Primary Examiner—Alan P. Douglas

Assistant Examiner—Lavone D. Tabor

(74) *Attorney, Agent, or Firm*—Hovey Williams LLP

(57) **CLAIM**

The ornamental design for an expandable broom, as shown and described.

DESCRIPTION

FIG. 1 is perspective view of an expandable broom showing my new design, in which the broken lines showing bristles are for illustrative purposes only and forming no part of the claimed design;

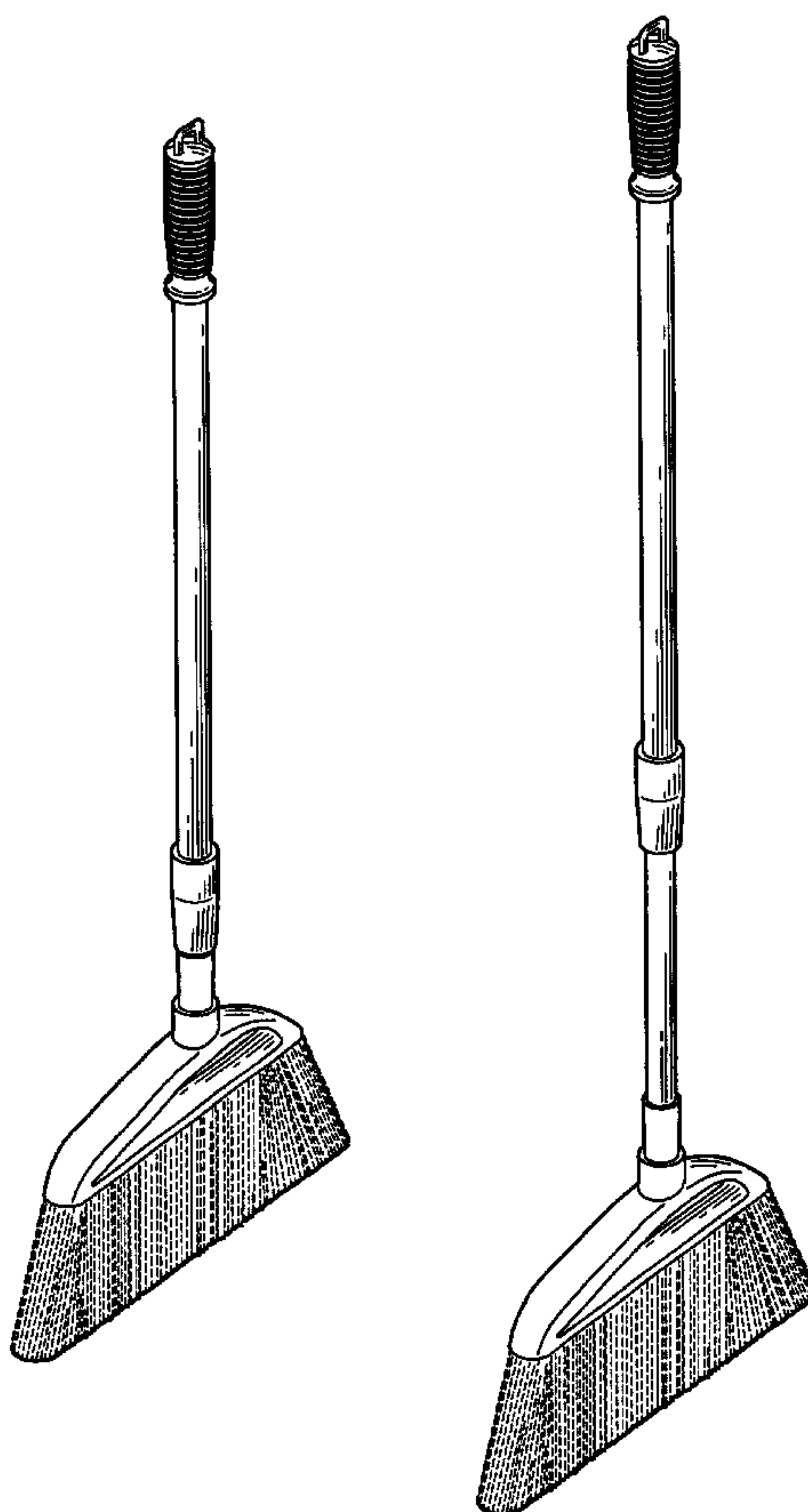
FIG. 2 is a perspective view thereof, with the handle shown in an expanded position;

FIG. 3 is a front elevation view of FIG. 1;

FIG. 4 is a side elevation view of FIG. 1; and,

FIG. 5 is a top plan view of FIG. 1.

1 Claim, 3 Drawing Sheets



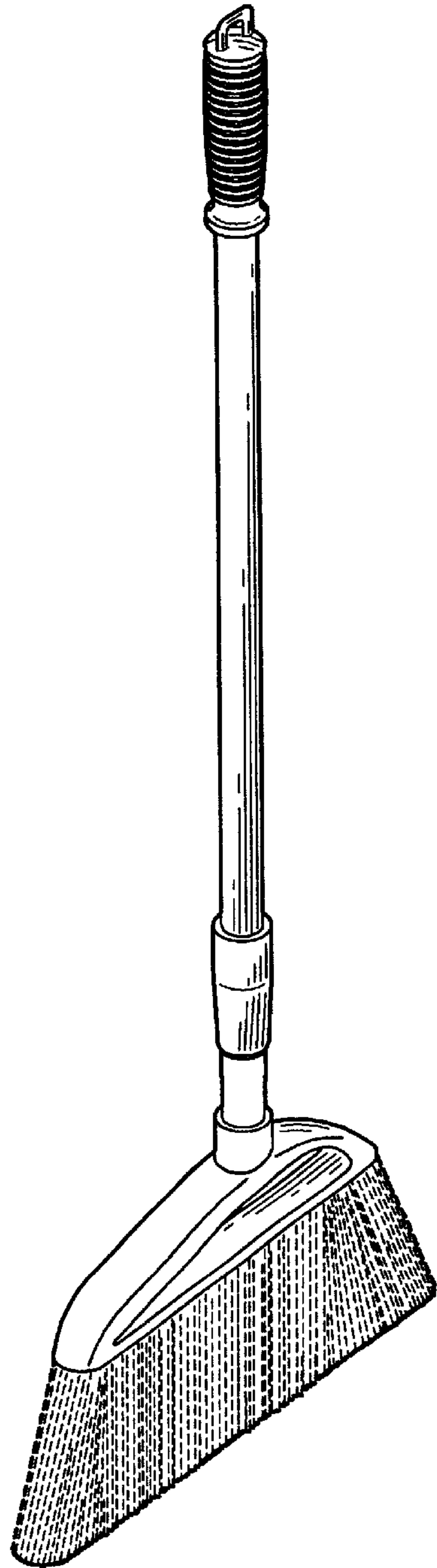


FIG. 1

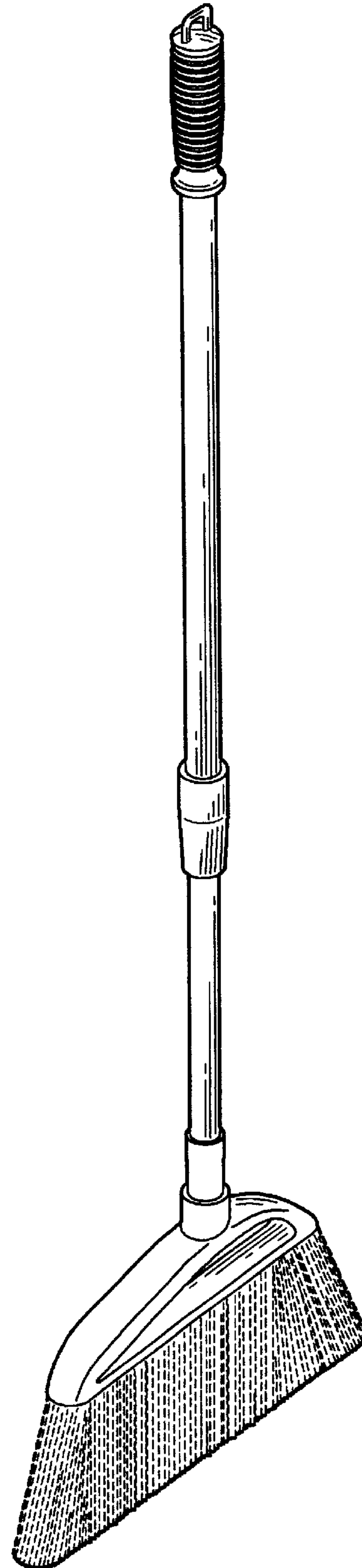


FIG. 2

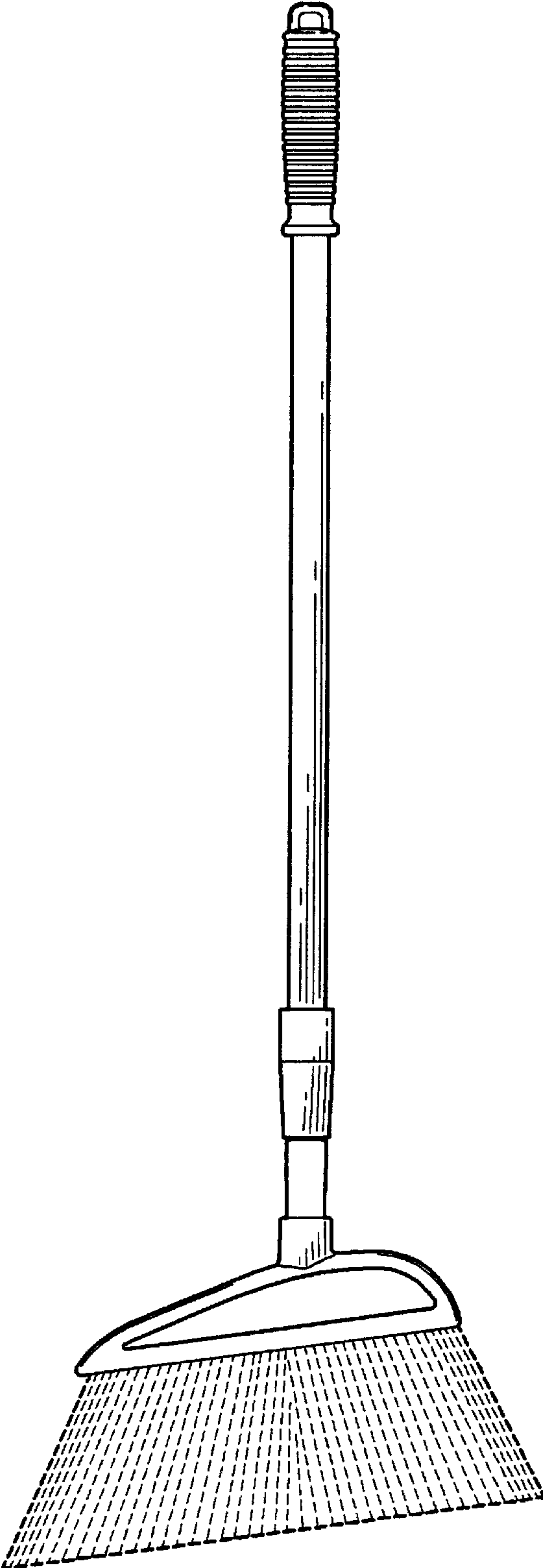


FIG. 3



FIG. 4



FIG. 5