

US00D497722S1

(12) **United States Design Patent**
Thompson

(10) **Patent No.:** **US D497,722 S**

(45) **Date of Patent:** **** Nov. 2, 2004**

(54) **SELF-CLEANING BRUSH**

(76) **Inventor:** **Bernie L. Thompson**, 1712 Price St.,
Rockford, IL (US) 61103

(**) **Term:** **14 Years**

(21) **Appl. No.:** **29/193,923**

(22) **Filed:** **Nov. 14, 2003**

(51) **LOC (7) Cl.** **04-02**

(52) **U.S. Cl.** **D4/121; D4/136**

(58) **Field of Search** D4/116, 121, 132,
D4/134, 136, 138; 15/142, 143.1, 159.1,
160, 169, 186-188, 207.2; 132/119-120,
126, 212, 271, 313

(56) **References Cited**

U.S. PATENT DOCUMENTS

31,727 A *	3/1861	Mc Clure	15/142 X
D75,811 S *	7/1928	Smith	D4/134
2,250,878 A *	7/1941	Quaranti	15/188 X
2,613,678 A	10/1952	Mandato		
3,577,580 A	5/1971	Rand		
3,737,936 A *	6/1973	Uosaki	15/169
3,886,617 A	6/1975	Labran et al.		
4,114,222 A *	9/1978	Serediuk	15/186
D256,294 S	8/1980	Su		

4,225,997 A	10/1980	Thomas et al.
5,365,880 A	11/1994	South
5,862,563 A	1/1999	Hartmann

FOREIGN PATENT DOCUMENTS

DE 19928527 A1 * 11/1999 A45D/24/00

* cited by examiner

Primary Examiner—Alan P. Douglas
Assistant Examiner—Lavone D. Tabor

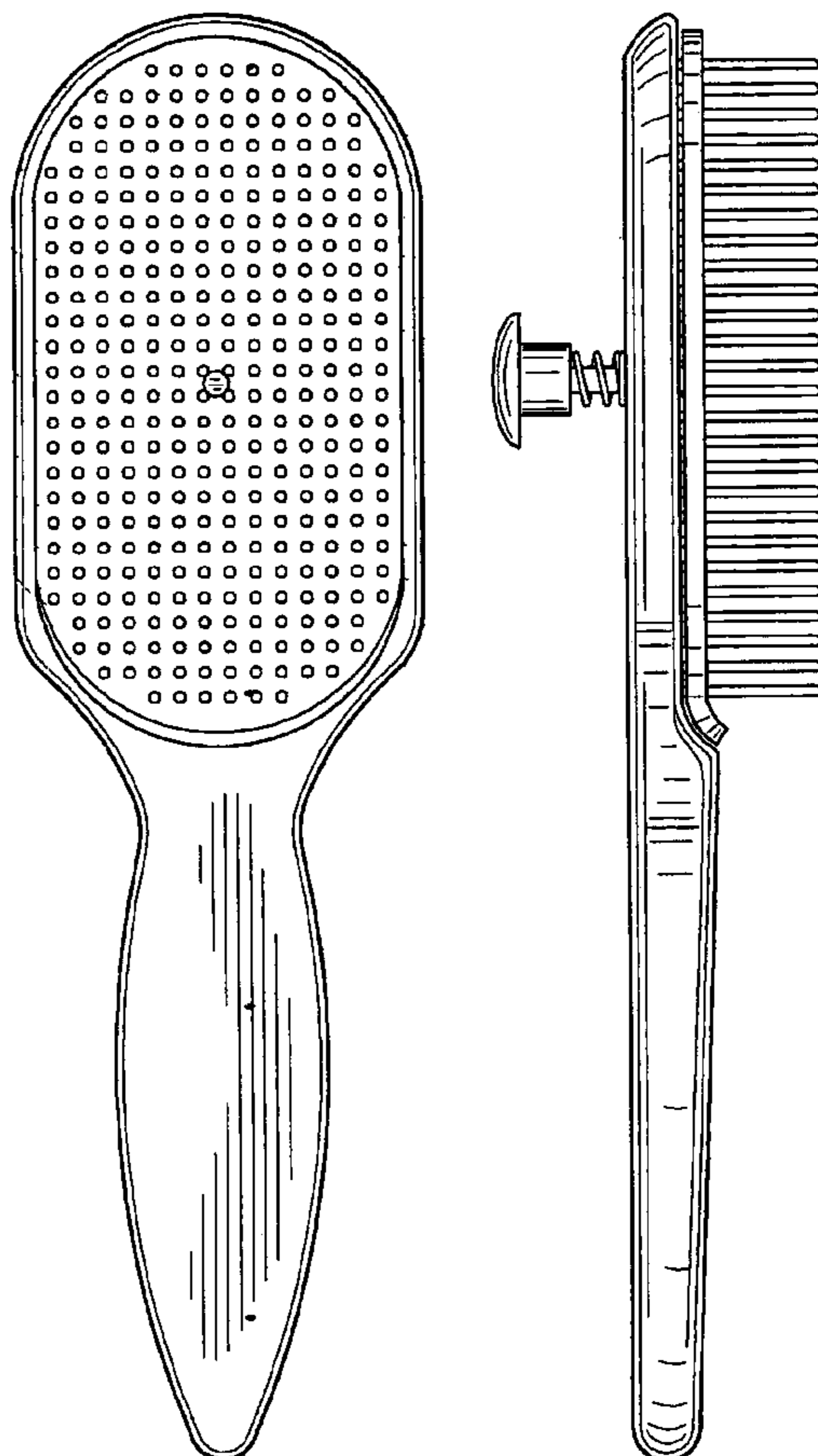
(57) **CLAIM**

The ornamental design for a self-cleaning brush, as shown and described.

DESCRIPTION

FIG. 1 is a front elevational view of a self-cleaning brush showing my new design;
FIG. 2 is a rear elevational view thereof;
FIG. 3 is a side view, taken from the left side of FIG. 1, the right side view being a mirror image thereof;
FIG. 4 is a top plan view thereof;
FIG. 5 is a bottom plan view thereof; and,
FIG. 6 is a perspective view thereof, shown in an alternate position.

1 Claim, 3 Drawing Sheets



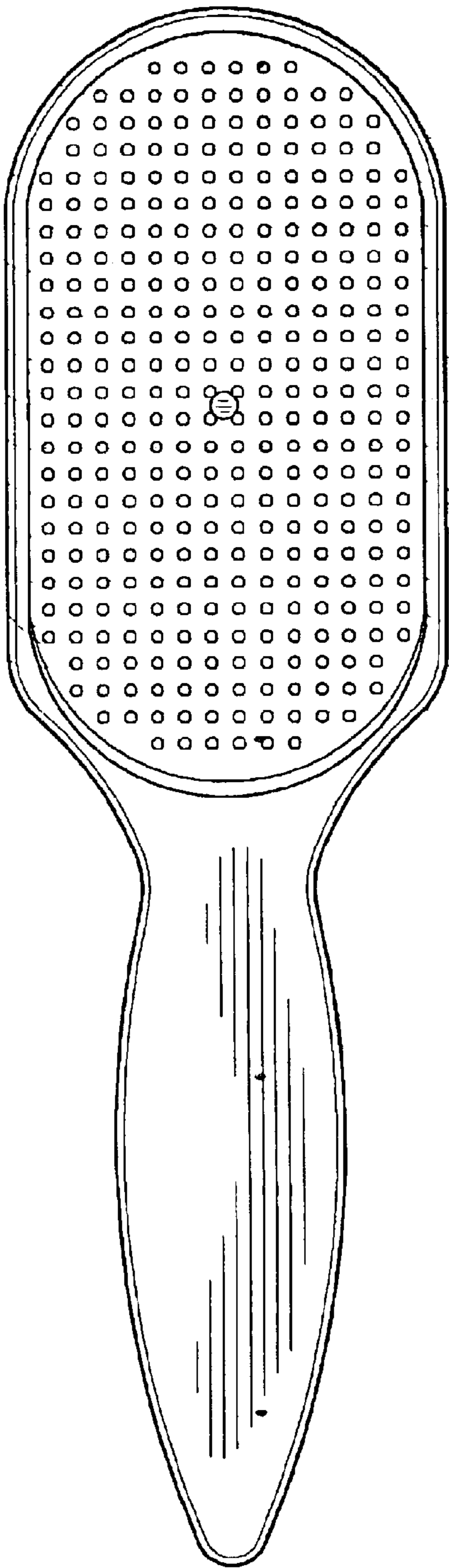


FIG. 1

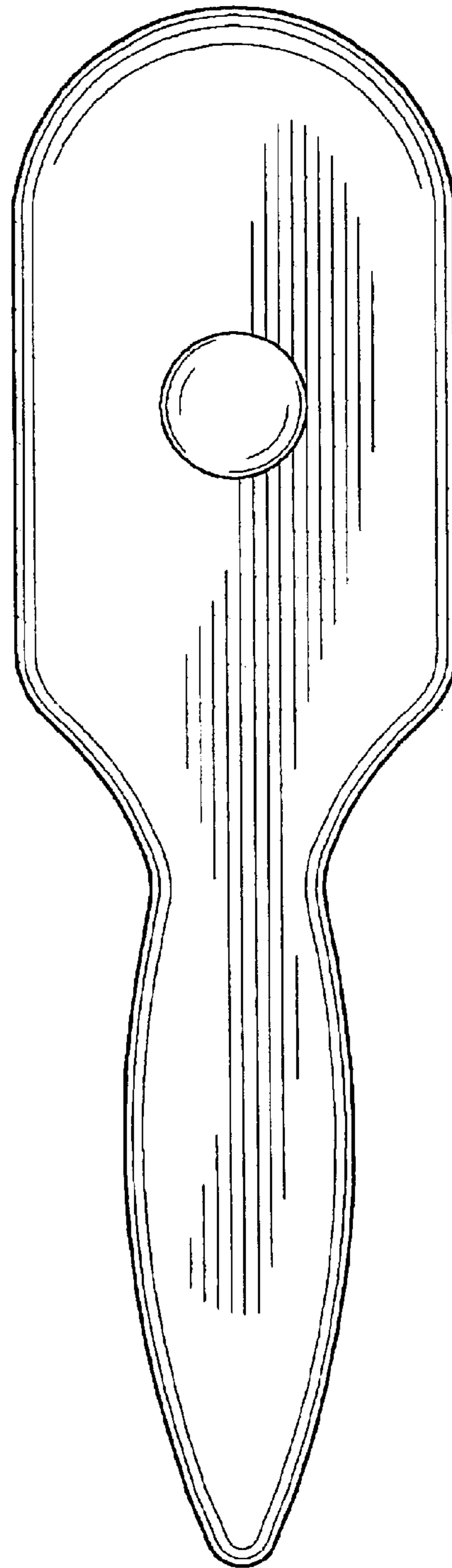


FIG. 2

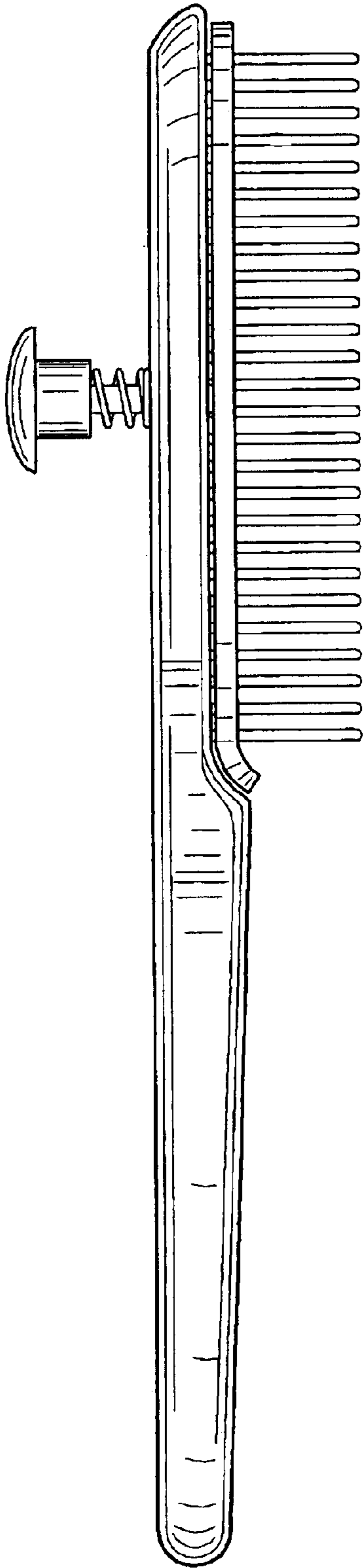


FIG. 3

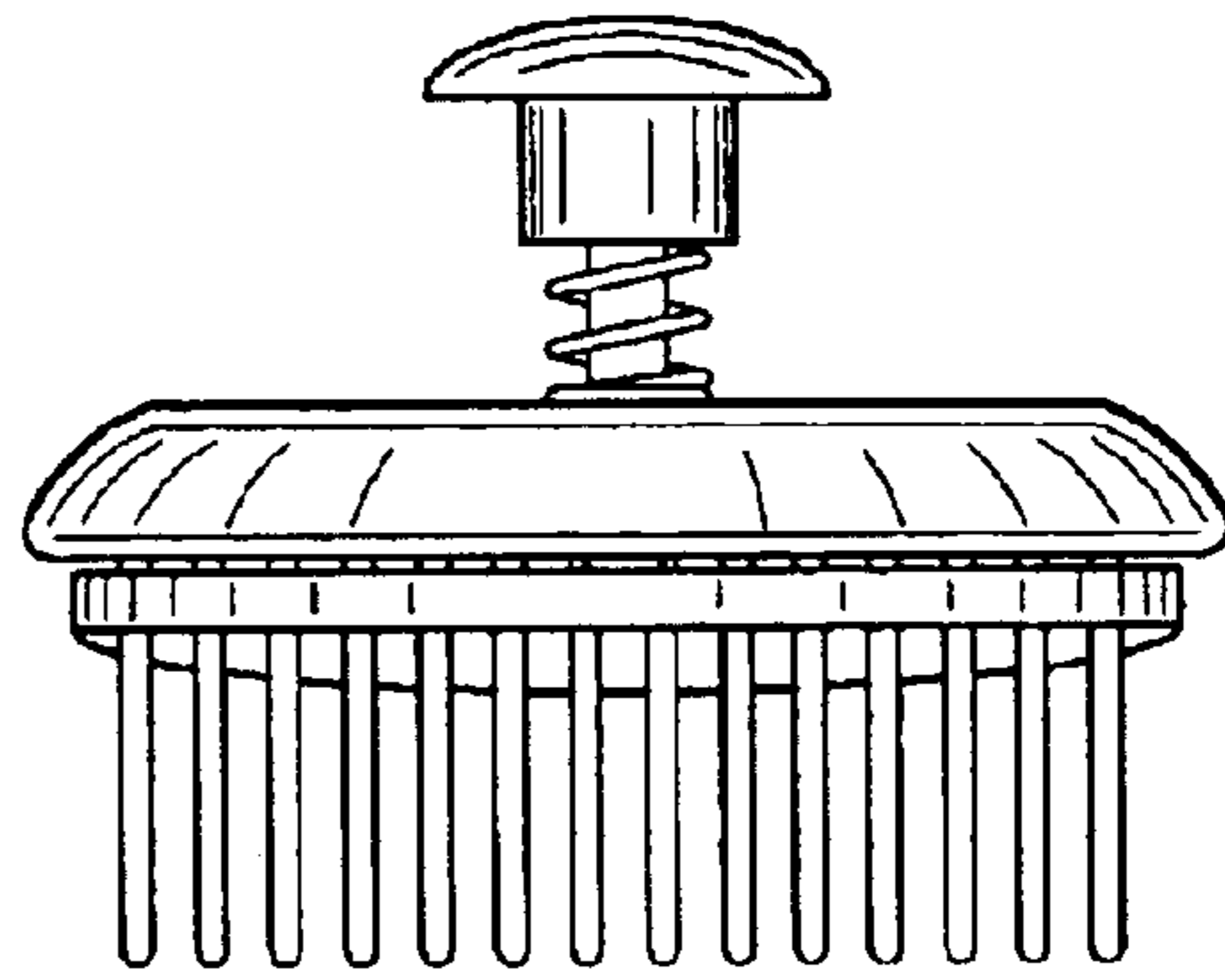


FIG. 4

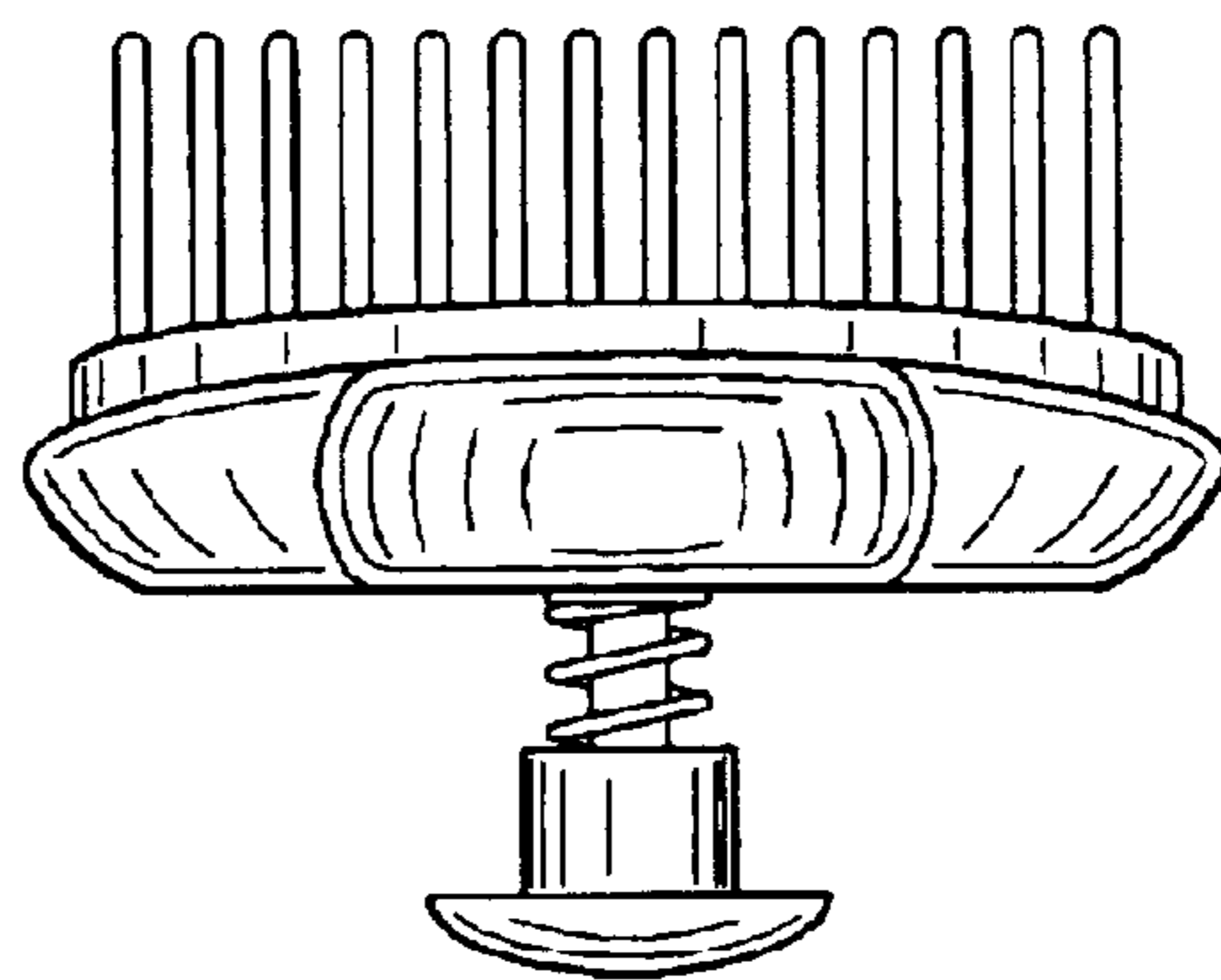


FIG. 5

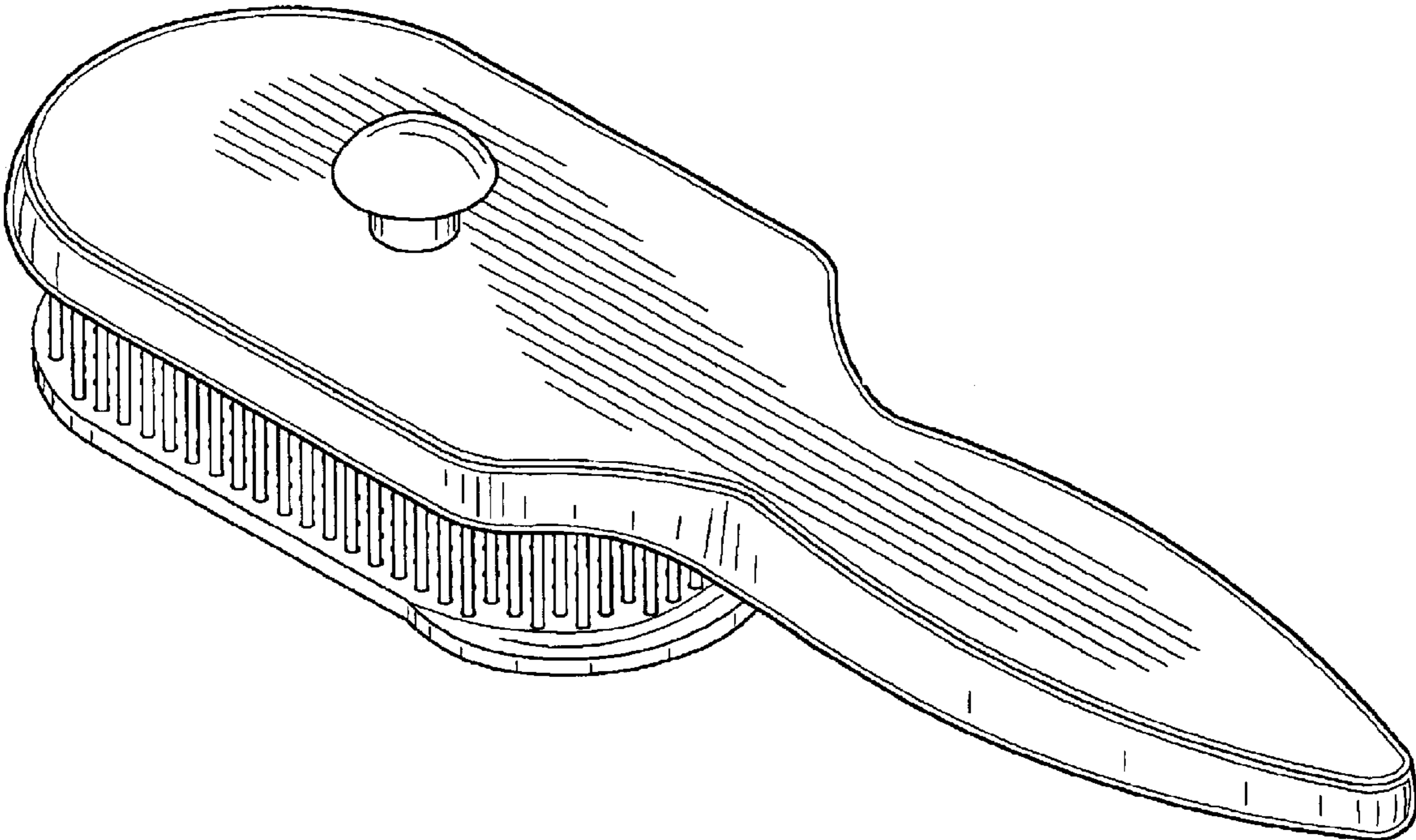


FIG. 6