

US00D497721S1

(12) **United States Design Patent** (10) **Patent No.:** **US D497,721 S**  
**Angeletta** (45) **Date of Patent:** **\*\* Nov. 2, 2004**

(54) **REPLACEABLE BRUSH APPLICATOR  
 PORTION FOR A LIQUID AND LOTION  
 APPLICATOR**

(76) Inventor: **Joseph G. Angeletta**, 418 Fifth St.,  
 Mamaroneck, NY (US) 10543

(\*\*) Term: **14 Years**

(21) Appl. No.: **29/185,961**

(22) Filed: **Jul. 7, 2003**

**Related U.S. Application Data**

(62) Division of application No. 29/136,997, filed on Feb. 9,  
 2001, now Pat. No. Des. 476,816.

(51) **LOC (7) Cl.** ..... **04-02**

(52) **U.S. Cl.** ..... **D4/114; D4/130; D28/7**

(58) **Field of Search** ..... 15/176.1-176.6,  
 15/205.2, 146, 106, 160, 159.1; D4/100,  
 114, 115, 116, 130-135; D28/7, 8, 63;  
 D9/338, 436; 132/320; 401/268-275, 202-207,  
 286, 289, 6

(56) **References Cited**

**U.S. PATENT DOCUMENTS**

- 1,697,274 A \* 1/1929 Gillis ..... 15/106
- 1,718,117 A \* 6/1929 Dainos ..... 401/289
- 1,760,614 A \* 5/1930 Weintraub ..... 15/115
- 1,764,559 A \* 6/1930 Glen, Jr. .... 222/191
- 2,218,862 A \* 10/1940 Vredenburg ..... 15/209.1
- 2,224,644 A \* 12/1940 Grace ..... 401/39
- 2,486,847 A \* 11/1949 Hokett ..... 401/273

- 2,736,049 A \* 2/1956 Cohen ..... 401/42
- D188,159 S \* 6/1960 Peyron ..... D28/7
- 4,322,920 A \* 4/1982 Wells ..... 451/342
- 4,461,052 A \* 7/1984 Mostul ..... 15/29
- D280,248 S \* 8/1985 Hanson, Jr. .... D32/50
- 4,850,729 A \* 7/1989 Kramer et al. .... 401/183
- D331,151 S \* 11/1992 Kiefer ..... D4/121
- D375,382 S \* 11/1996 Beeler et al. .... D28/7
- 5,791,006 A \* 8/1998 Anctil ..... 15/144.4
- 6,116,798 A \* 9/2000 Chen et al. .... 401/42
- D455,878 S \* 4/2002 Debreczeni ..... D32/50

\* cited by examiner

*Primary Examiner*—Lucy Lieberman

(74) *Attorney, Agent, or Firm*—Scully, Scott, Murphy &  
 Presser

(57) **CLAIM**

The ornamental design for a replaceable brush applicator  
 portion for a liquid and lotion applicator, as shown and  
 described.

**DESCRIPTION**

FIG. 1 illustrates a perspective side view of a replaceable  
 brush applicator portion for a liquid and lotion showing my  
 new and ornamental design;

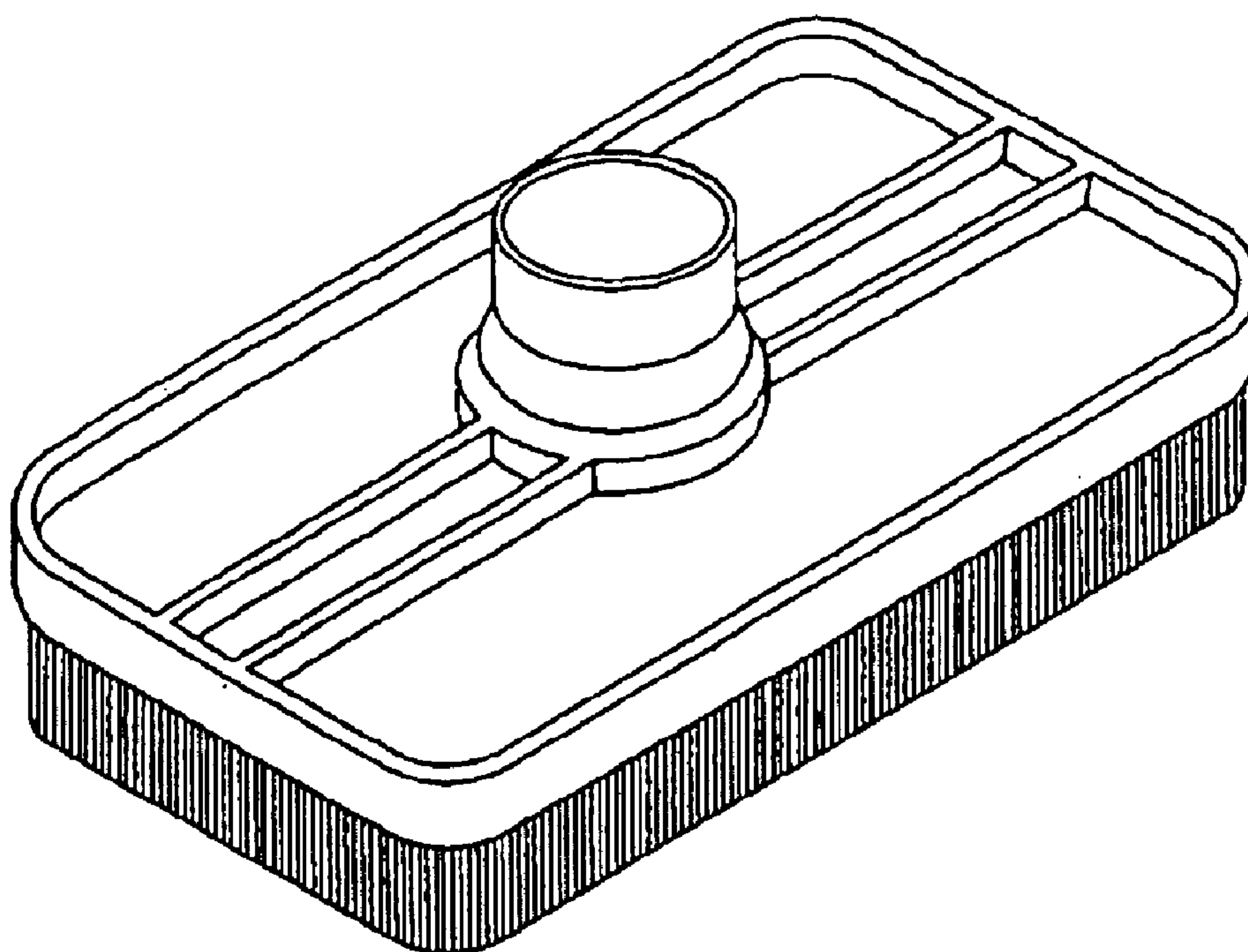
FIG. 2 illustrates a bottom plan view thereof;

FIG. 3 illustrates a side view, the opposite side being a  
 mirror image thereof;

FIG. 4 illustrates an end view, the opposite side being a  
 mirror image thereof; and,

FIG. 5 illustrates a top plan view thereof.

**1 Claim, 1 Drawing Sheet**



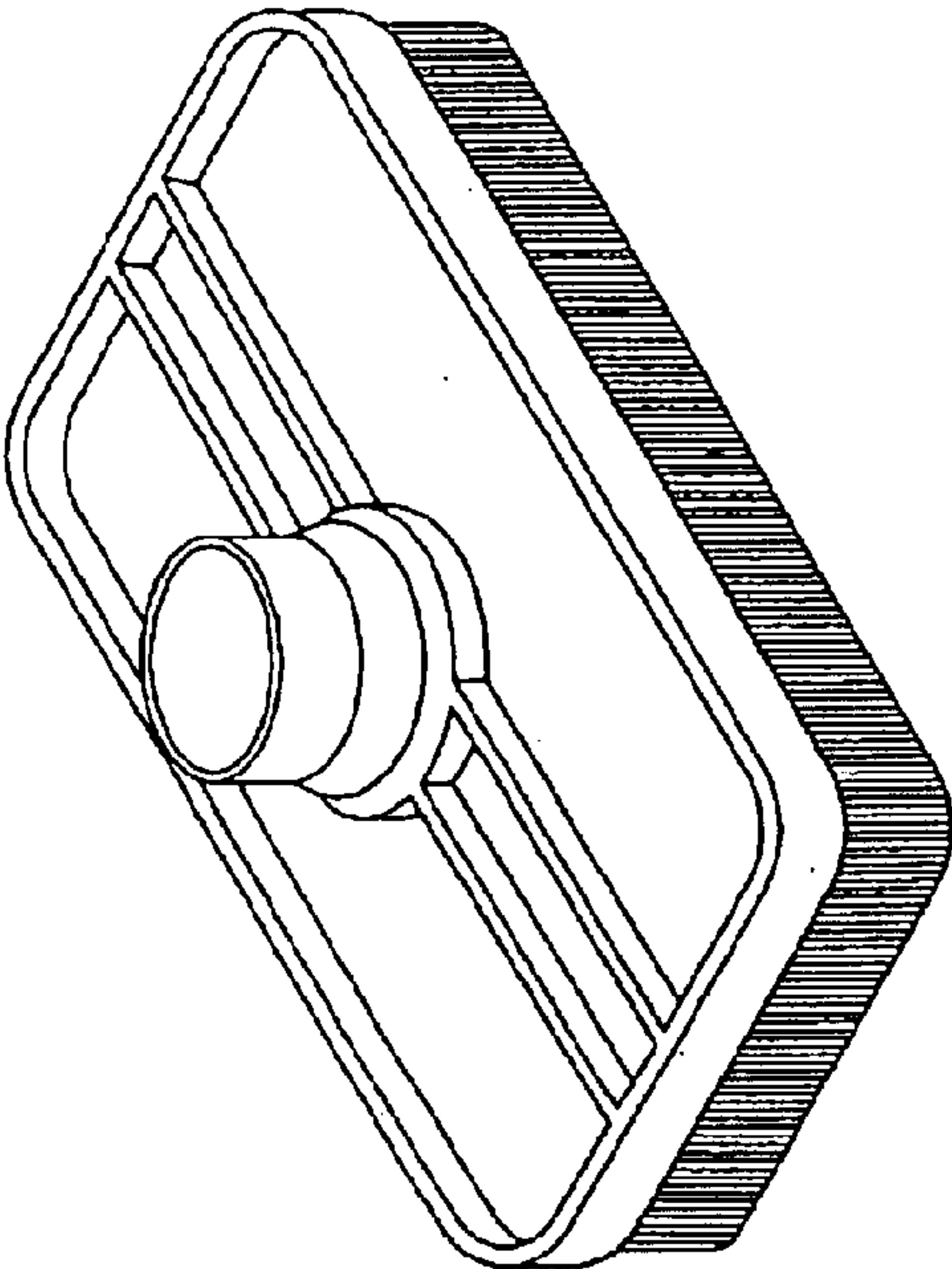


FIG. 1

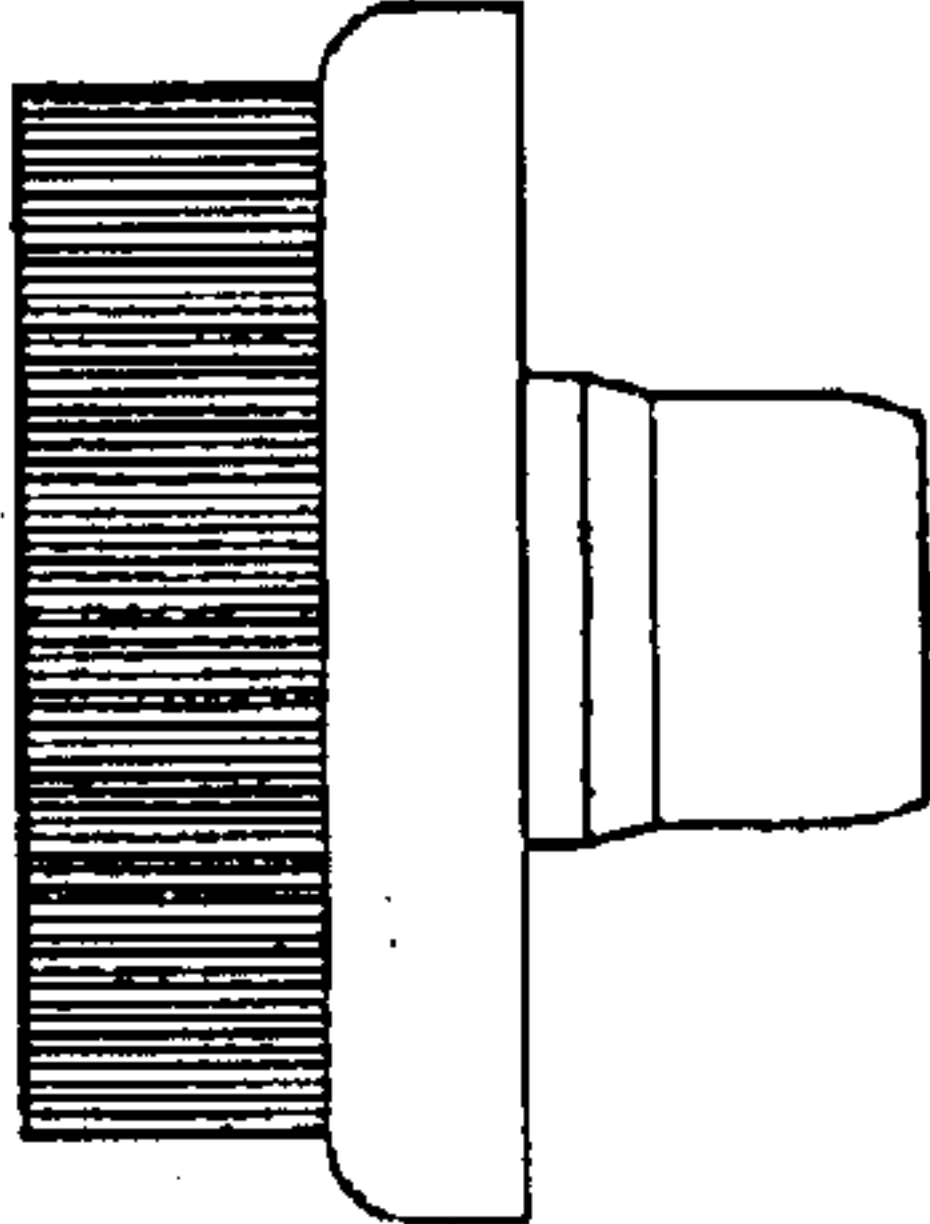


FIG. 2

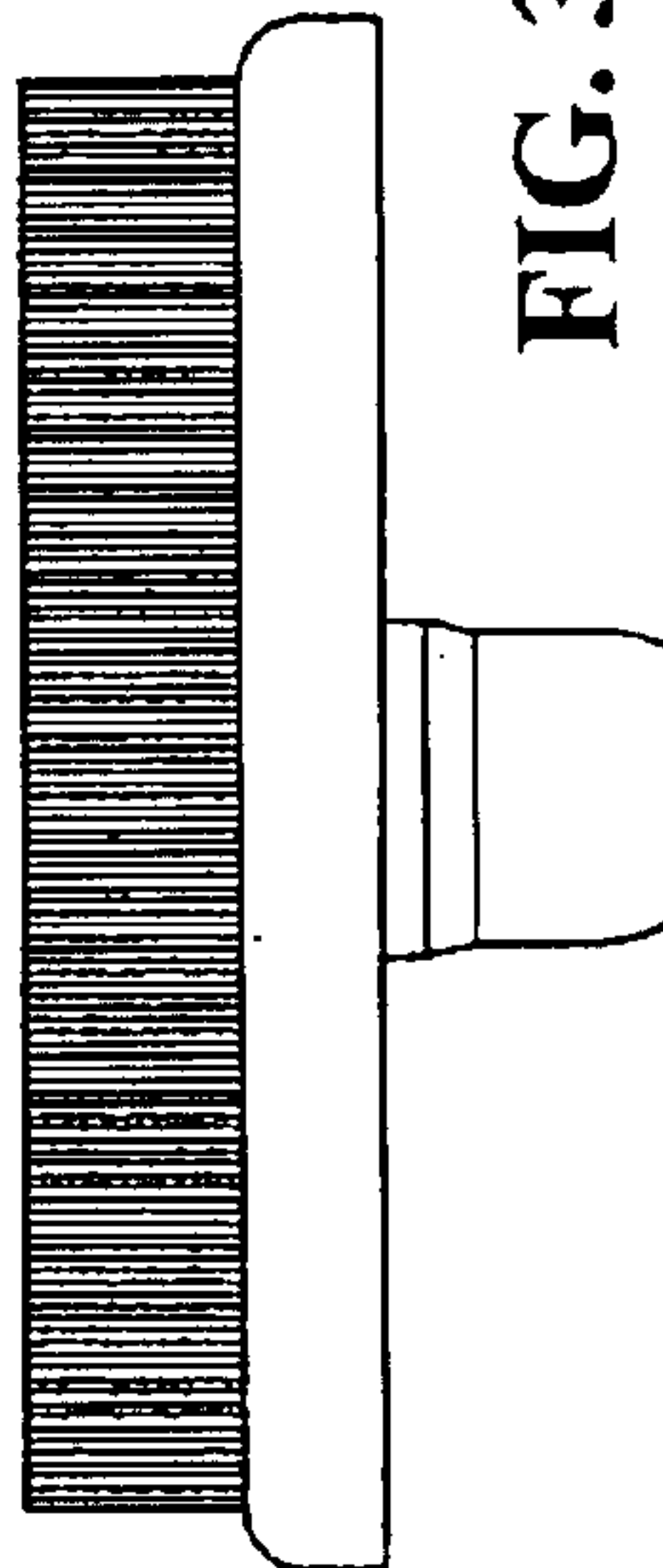


FIG. 3

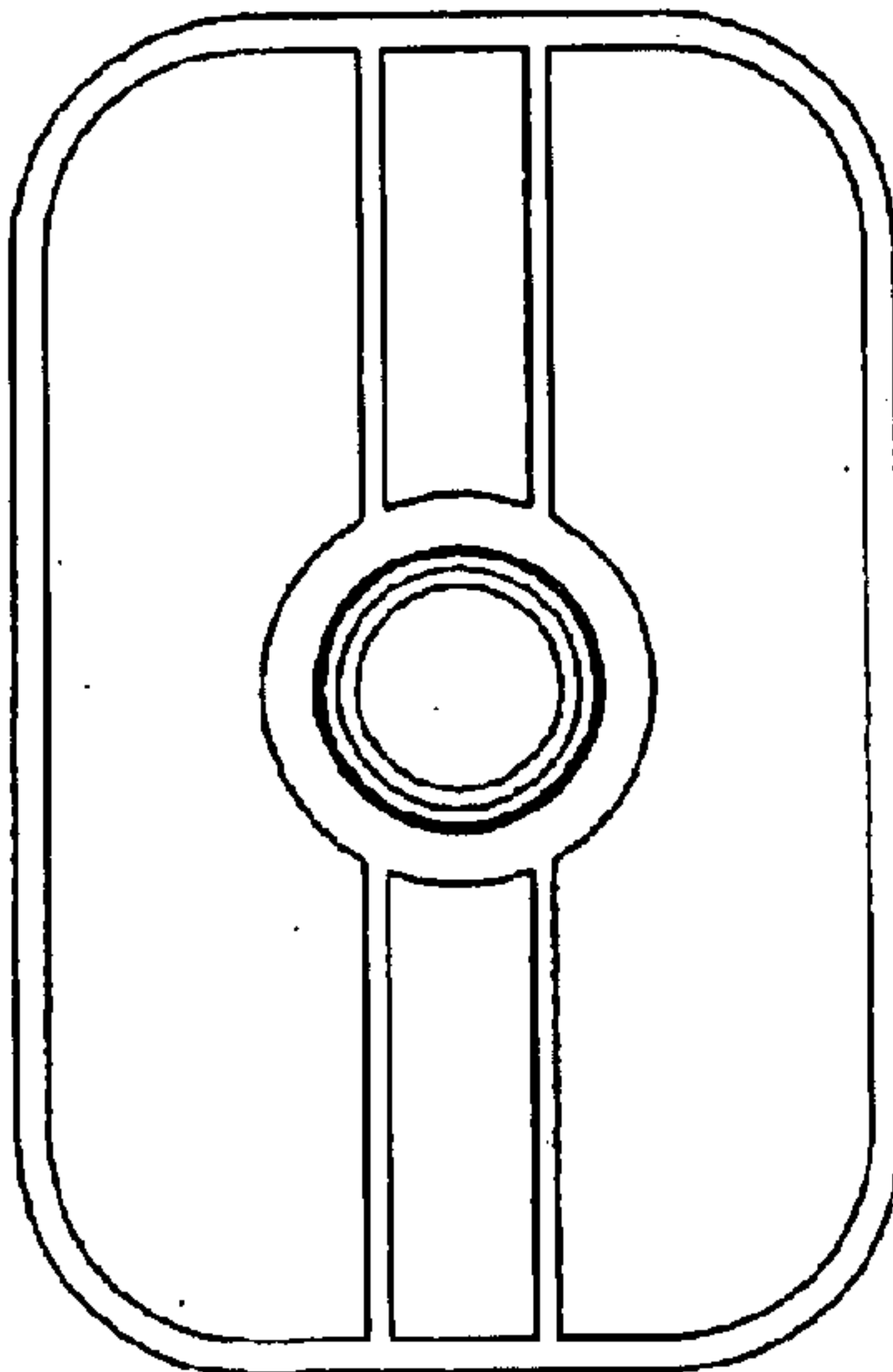


FIG. 4

FIG. 5