

US00D497719S1

(12) **United States Design Patent**
Turner et al.

(10) **Patent No.:** **US D497,719 S**
(45) **Date of Patent:** **** Nov. 2, 2004**

(54) **CHEF'S KNIVES CARRYING CASE AND WORKING PLATFORM**

Primary Examiner—Philip S. Hyder
(74) *Attorney, Agent, or Firm*—Steven Horowitz

(75) Inventors: **Theodore DeWitt Turner**, Brooklyn, NY (US); **Aaron Lown**, Tuxedo, NY (US)

(57) **CLAIM**

The ornamental design for a chef's knives carrying case and working platform, as shown and described.

(73) Assignee: **Zodechaun, Inc.**, Brooklyn, NY (US)

(**) Term: **14 Years**

DESCRIPTION

(21) Appl. No.: **29/185,729**

FIG. 1 is a side isometric view showing the exterior of the chef's knives carrying case and work platform showing our new design;

(22) Filed: **Jul. 1, 2003**

FIG. 2 is side elevational view thereof showing the carrying case from one end and in a standing position;

(51) **LOC (7) Cl.** **03-01**

(52) **U.S. Cl.** **D3/274; D3/276; D3/220**

FIG. 3 is an isometric view thereof in an open/flat position;

(58) **Field of Search** D3/220, 254, 262, D3/269, 273, 274, 276, 315; 224/191; 206/315.11, 349

FIG. 4 is a top view thereof in an open position;

FIG. 5 is a bottom view thereof in an open position;

(56) **References Cited**

U.S. PATENT DOCUMENTS

D94,468 S	*	2/1935	Russell	D3/220
D167,591 S	*	8/1952	Schrade	D3/220
D251,436 S	*	3/1979	Johnson	D3/220
4,942,663 A	*	7/1990	Ray, Sr.	30/151

FIG. 6 is a sectional view thereof taken along line 6—6 of FIG. 1 in order to illustrate the interior; and,

FIG. 7 is an isometric view thereof showing the carrying case from the other end shown in FIG. 1 and in a standing position.

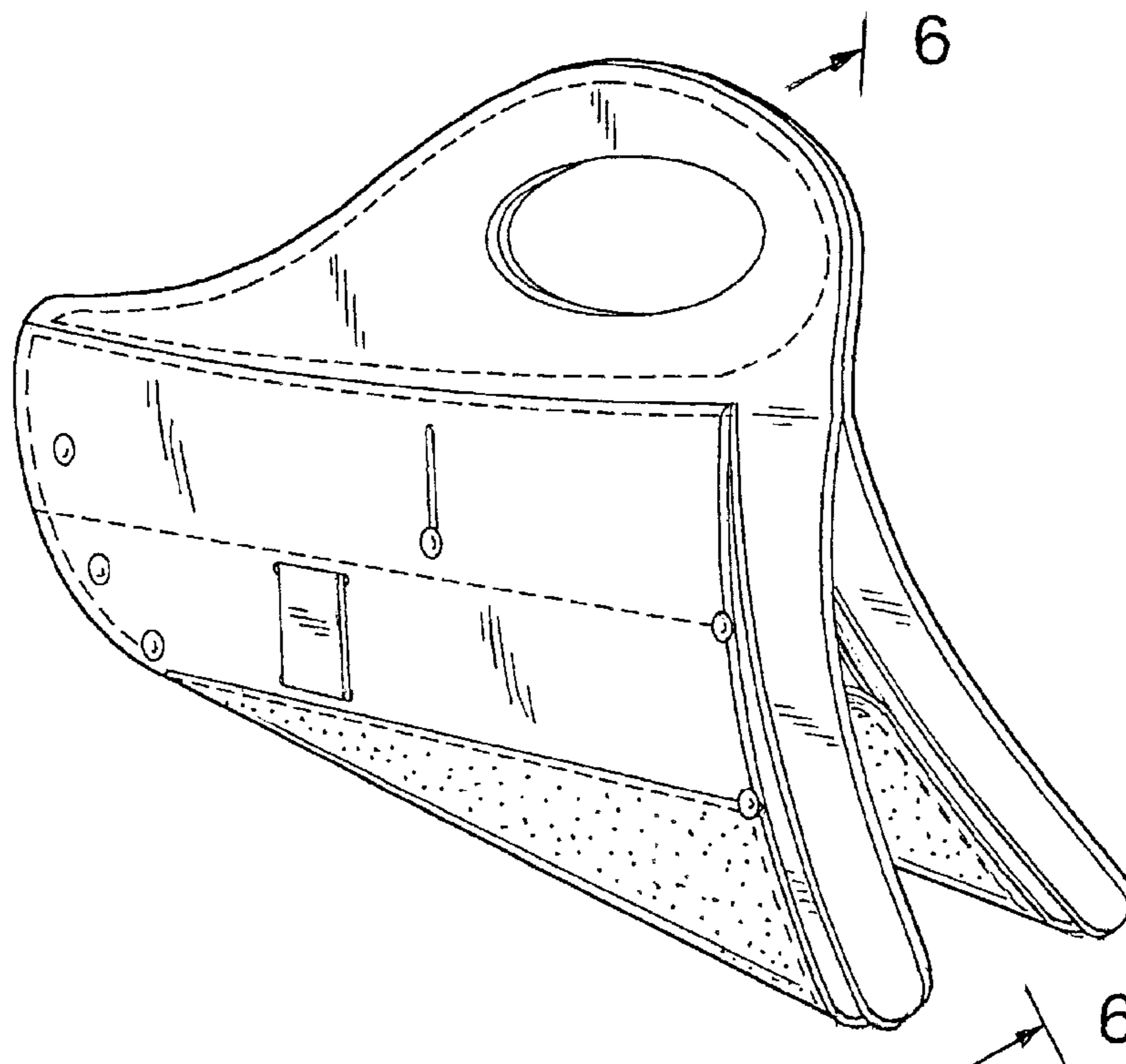
OTHER PUBLICATIONS

Smokey Mountain Knife Works Catalog, Spring 2002, pp. 60, 66, 67, knife cases and sheaths.*

The dashed lines define stitching. The stitching also defines unclaimed pocket borders except for the stitching in the handle and except for the stitching in FIG. 5 and FIG. 6 that surrounds the stippled area.

* cited by examiner

1 Claim, 7 Drawing Sheets



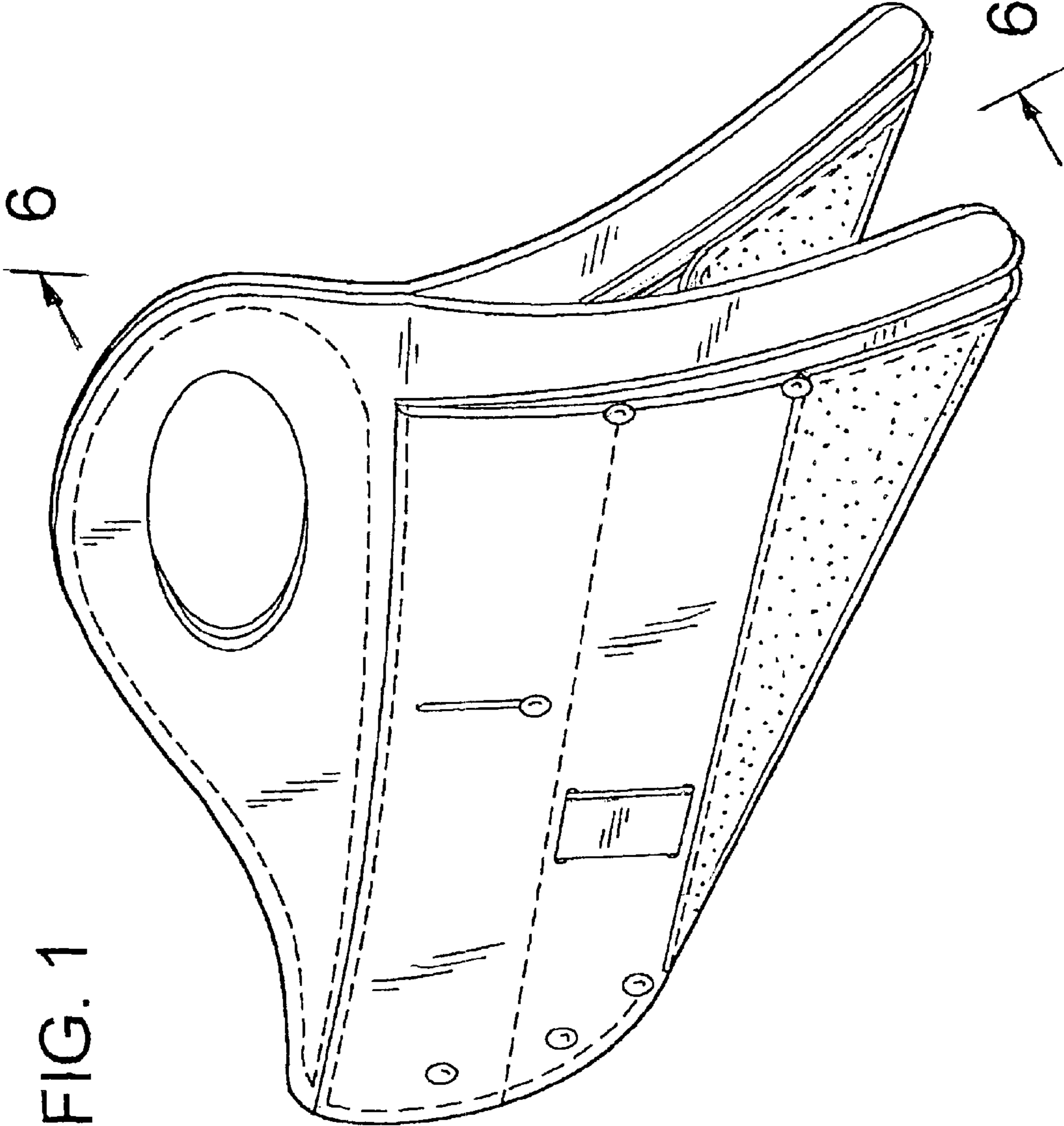


FIG. 1

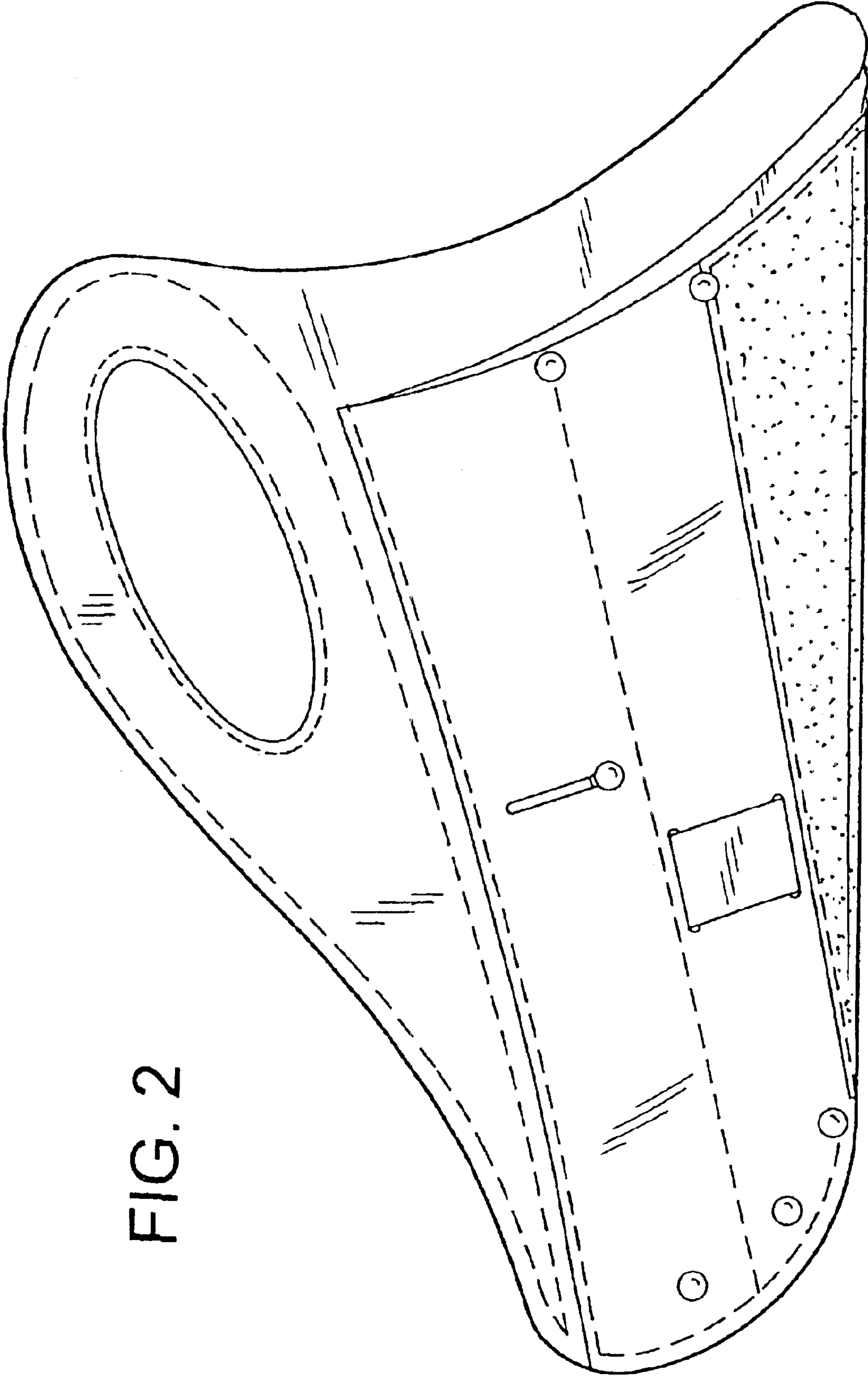
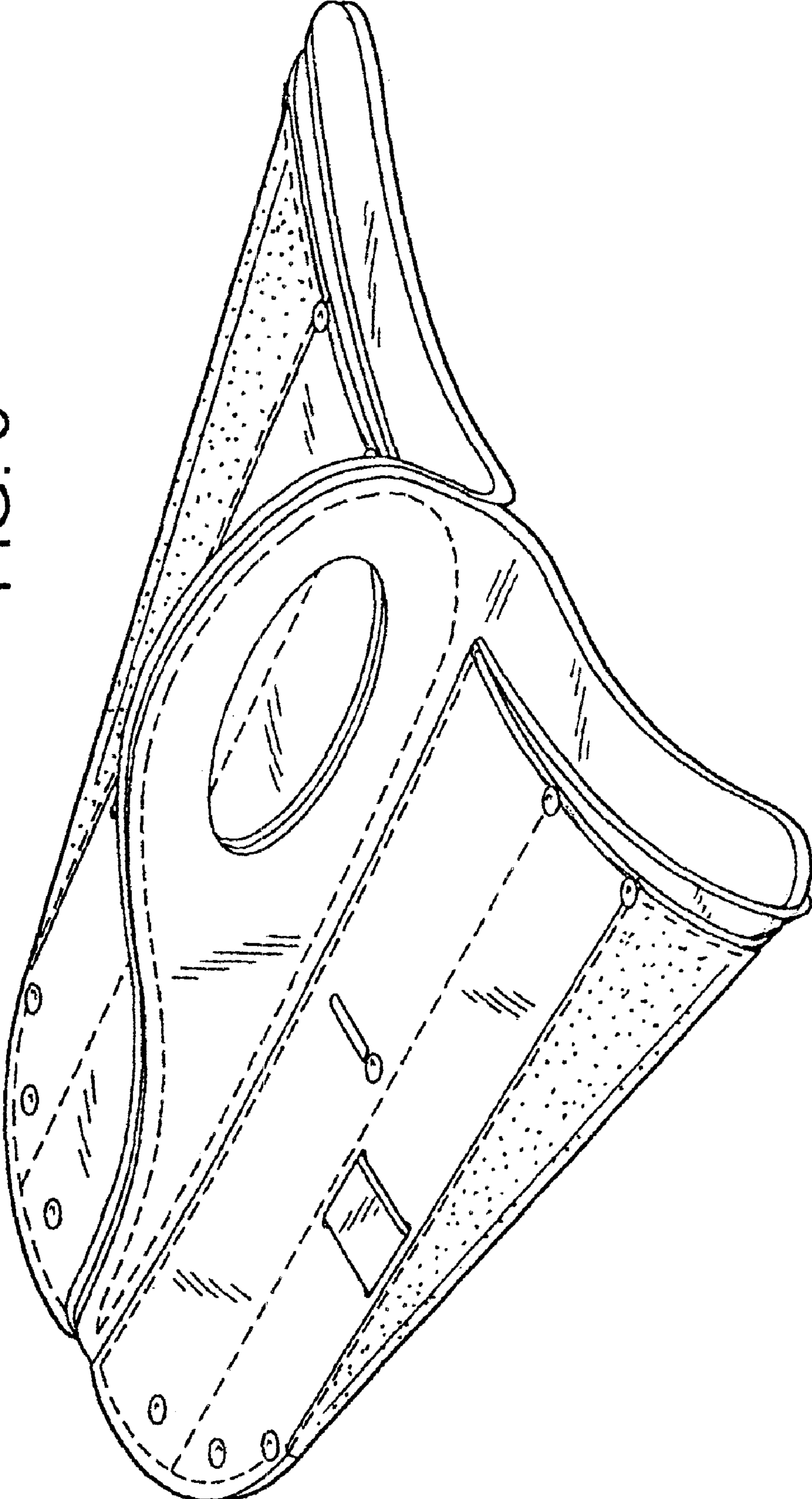


FIG. 2

FIG. 3



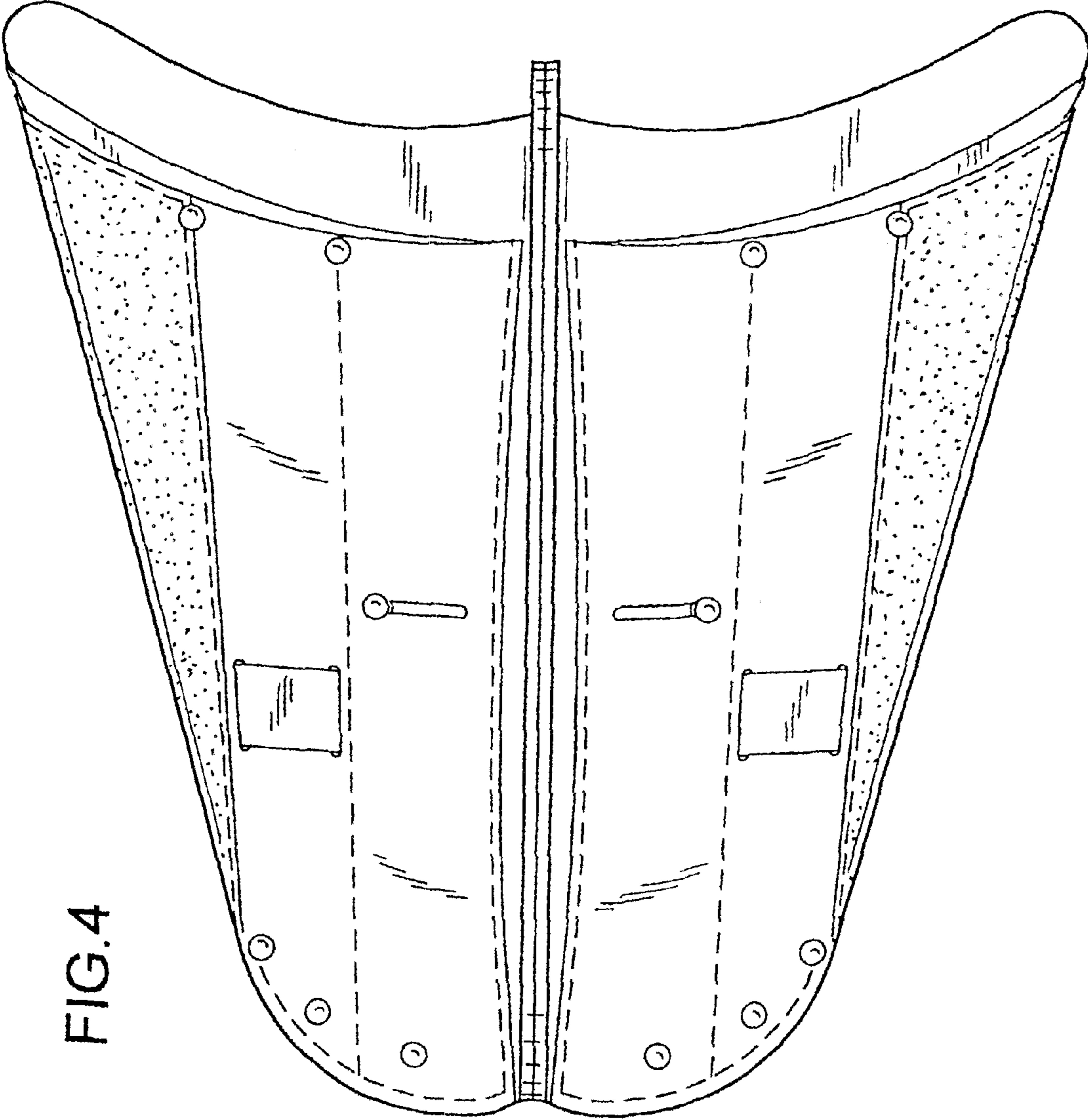


FIG.4

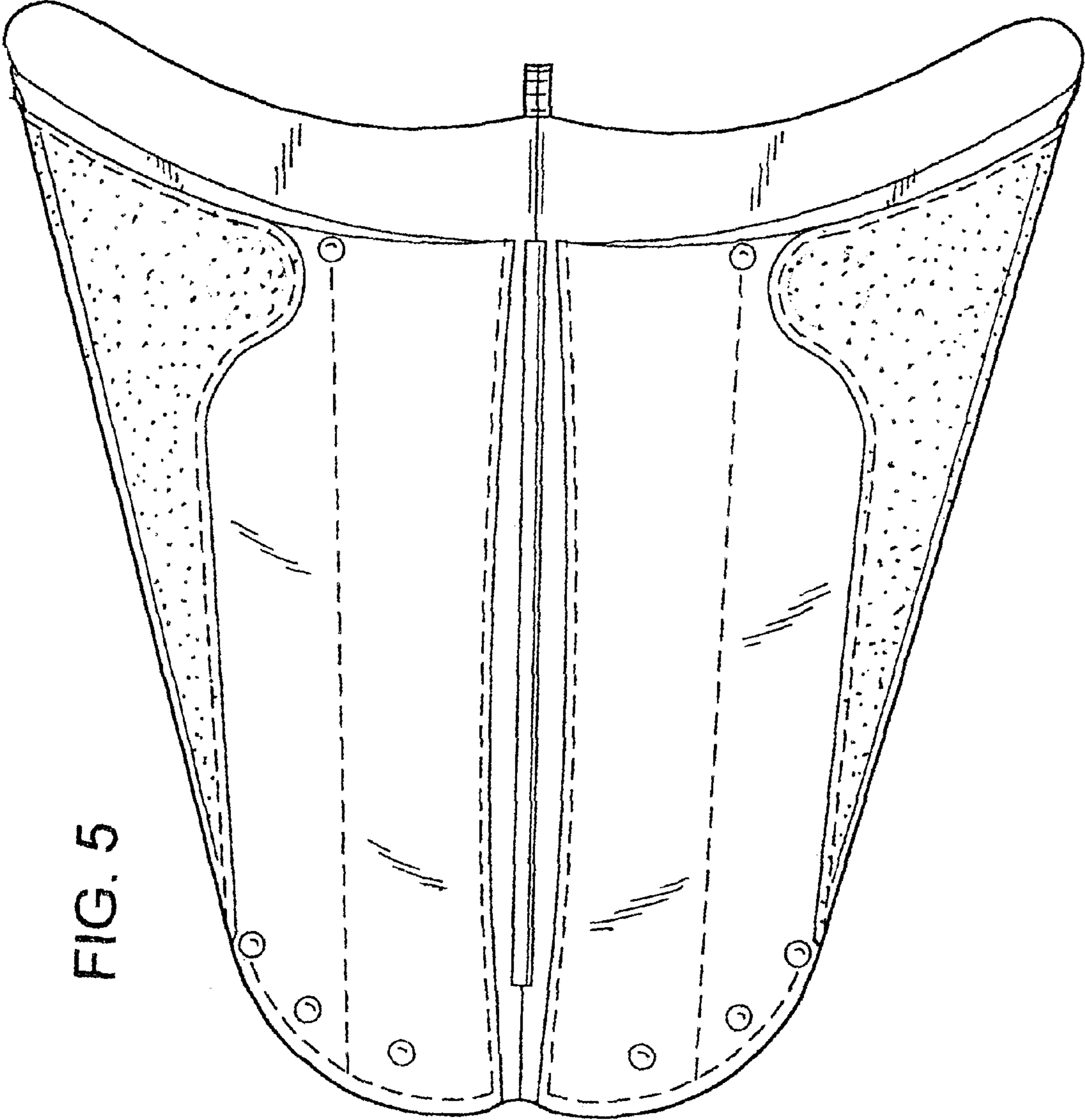


FIG. 5

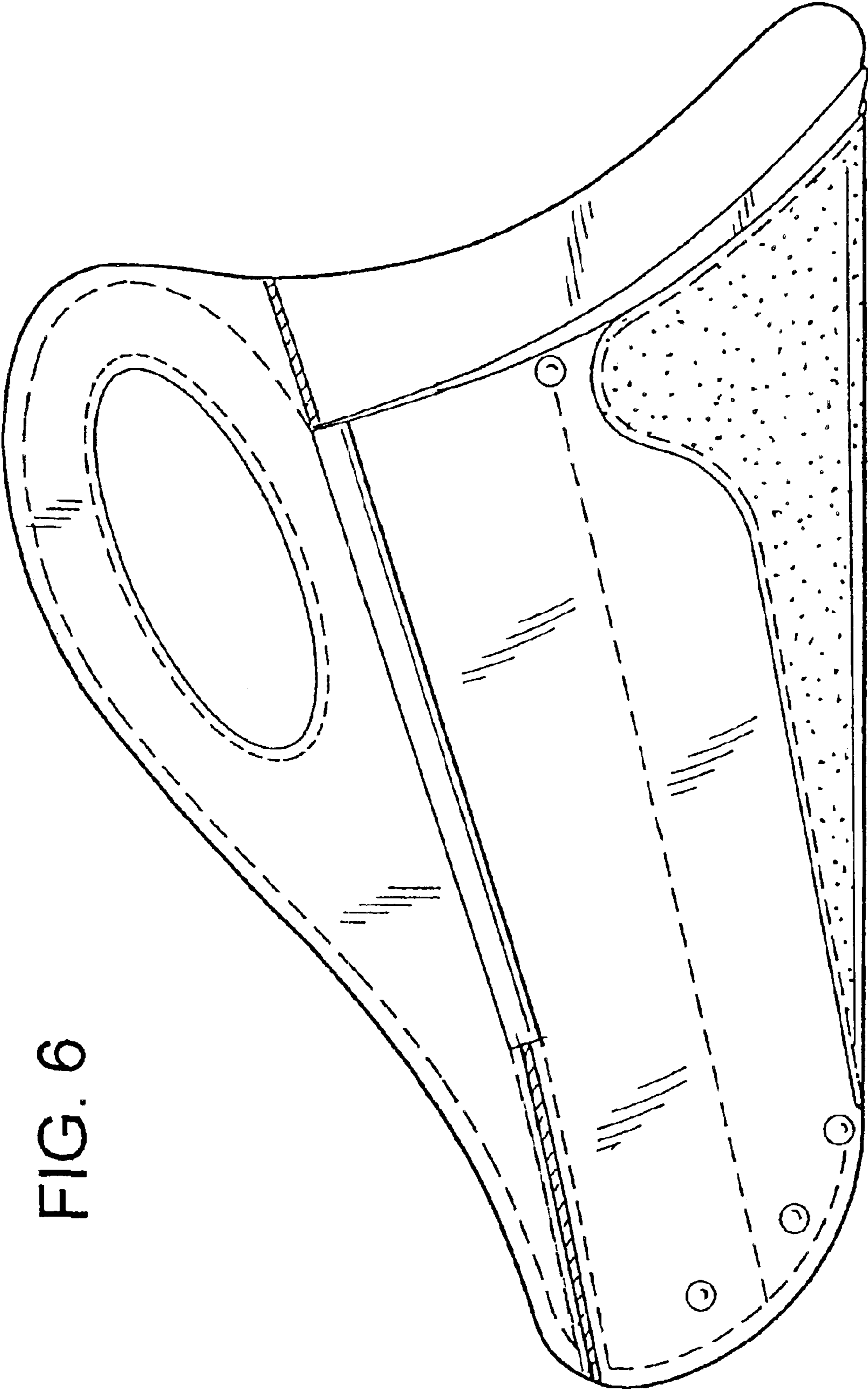


FIG. 6

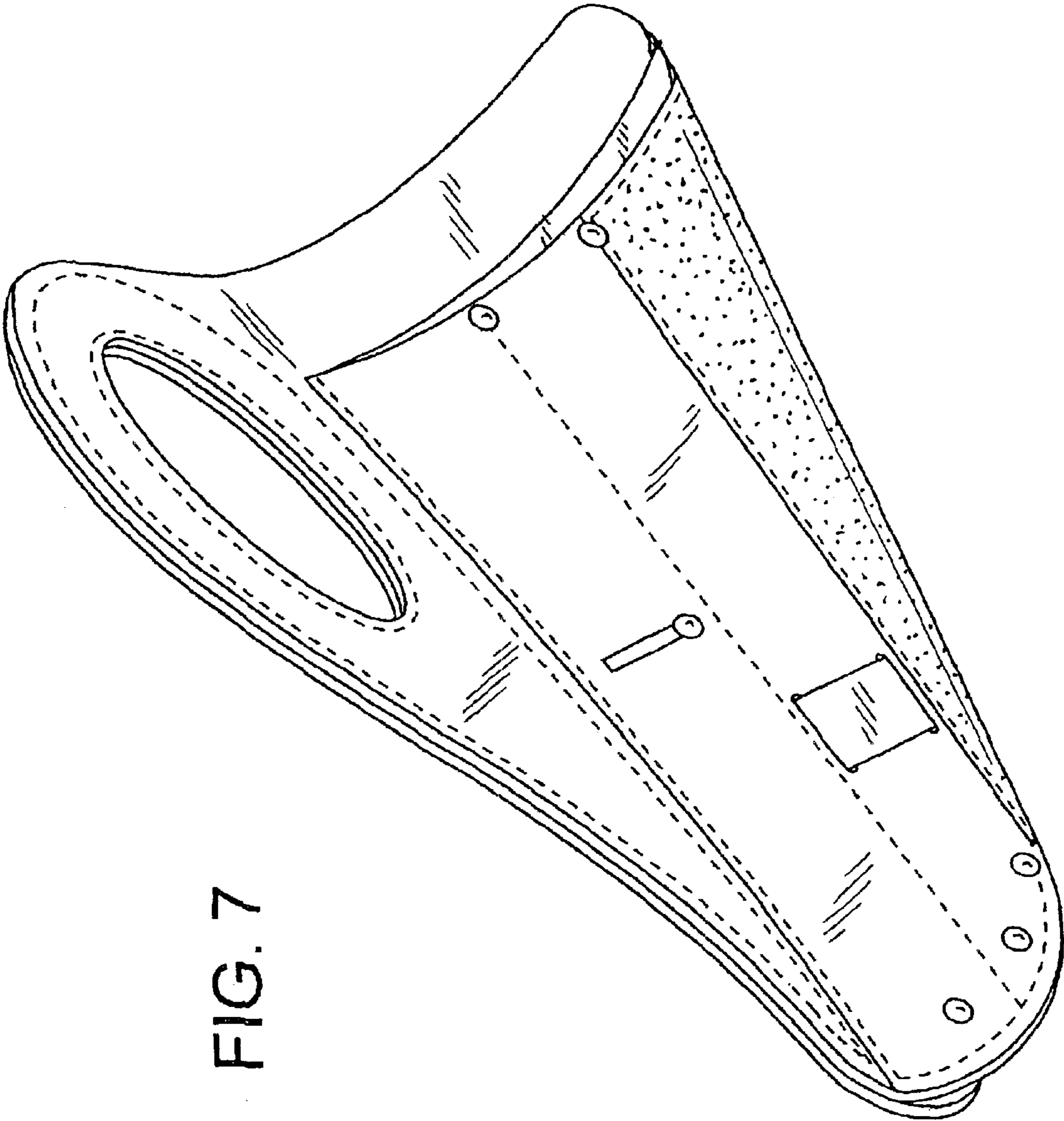


FIG. 7