

US00D497715S1

(12) **United States Design Patent**  
**Saltarelli**

(10) **Patent No.:** **US D497,715 S**

(45) **Date of Patent:** **\*\* Nov. 2, 2004**

(54) **WAIST MOUNTED POUCH**

(76) **Inventor:** **Quinn Saltarelli**, 94 Dunkirk Road, St. Catharines, ON (CA), L2P 3H4

(\*\*) **Term:** **14 Years**

(21) **Appl. No.:** **29/190,320**

(22) **Filed:** **Sep. 22, 2003**

(51) **LOC (7) Cl.** ..... **03-01**

(52) **U.S. Cl.** ..... **D3/226**

(58) **Field of Search** ..... D3/226, 224, 215,  
D3/221, 232-234, 283; 224/240, 241, 683,  
684, 901, 914

(56) **References Cited**

**U.S. PATENT DOCUMENTS**

5,374,919 A	*	12/1994	Zelka et al.	.....	224/683
D458,021 S	*	6/2002	Willows et al.	.....	D3/226
D472,702 S	*	4/2003	Hassett	.....	D3/218
D483,942 S	*	12/2003	Willows et al.	.....	D3/226

\* cited by examiner

*Primary Examiner*—Catherine R. Oliver

(57) **CLAIM**

The ornamental design for a waist mounted pouch, as shown and described.

**DESCRIPTION**

FIG. 1 is a front perspective view of the waist mounted pouch.

FIG. 2 is a rear perspective view of the waist mounted pouch.

FIG. 3 is a left side elevational view of the waist mounted pouch.

FIG. 4 is a left side elevational view of the waist mounted pouch.

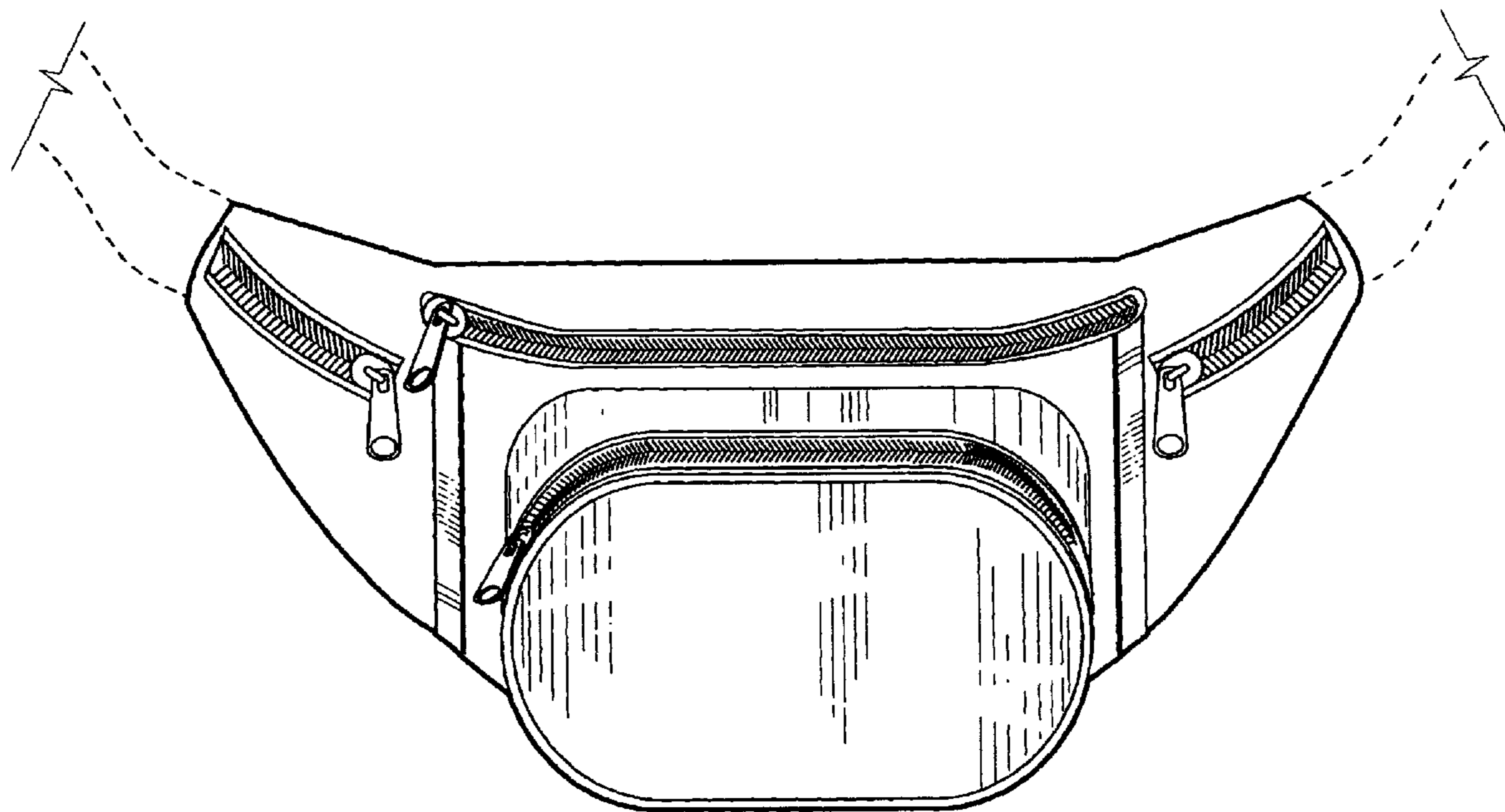
FIG. 5 is a right side elevational view of the waist mounted pouch.

FIG. 6 is a left side elevational view of the waist mounted pouch with the compartments in the open position; and,

FIG. 7 is a right side elevational view of the waist mounted pouch with front the compartments in the open position.

The broken lines showing of environment of the drawings is for illustrative purposes only and forms no part of the claim design.

**1 Claim, 5 Drawing Sheets**



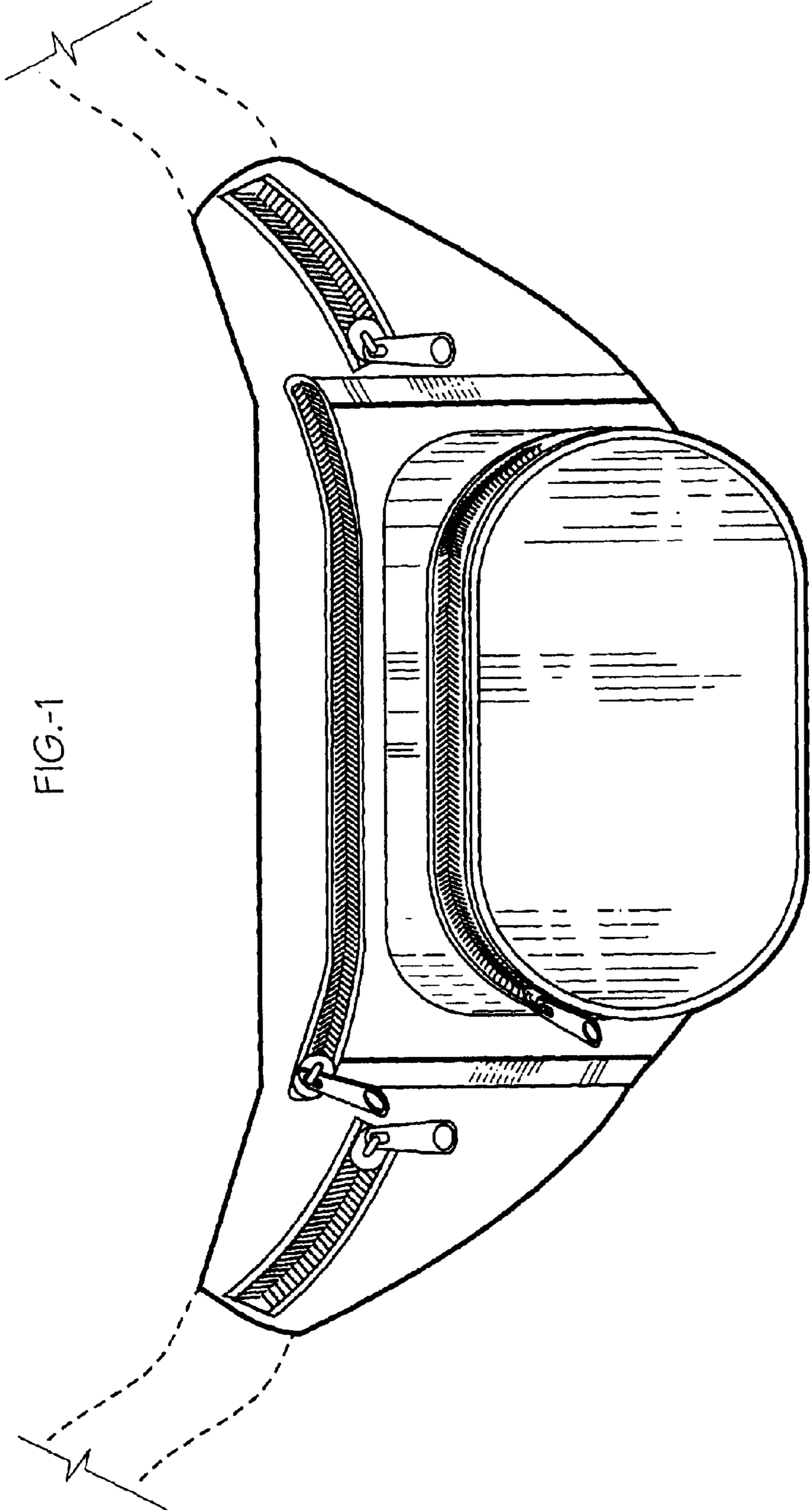


FIG.-1

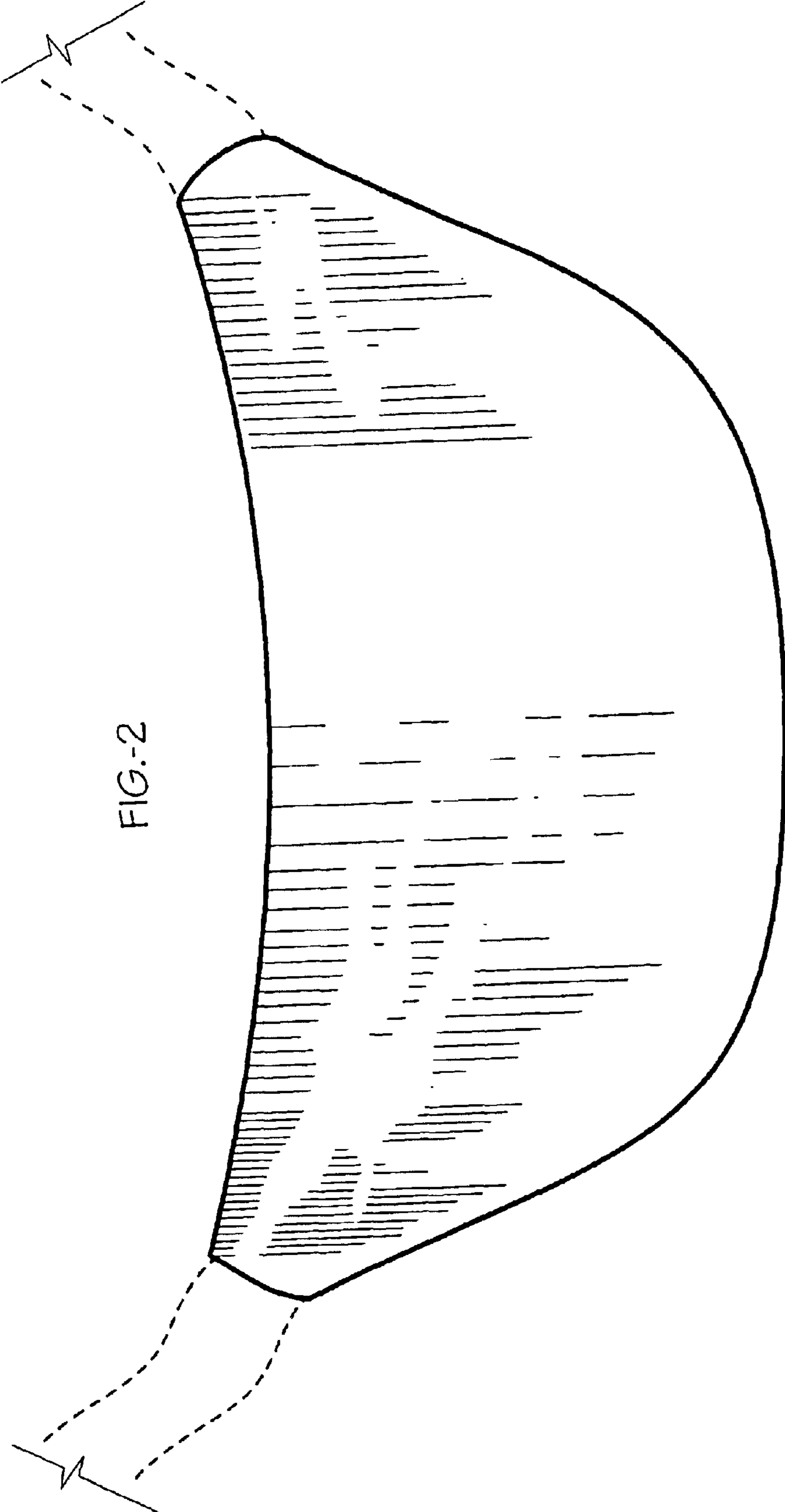


FIG.-2

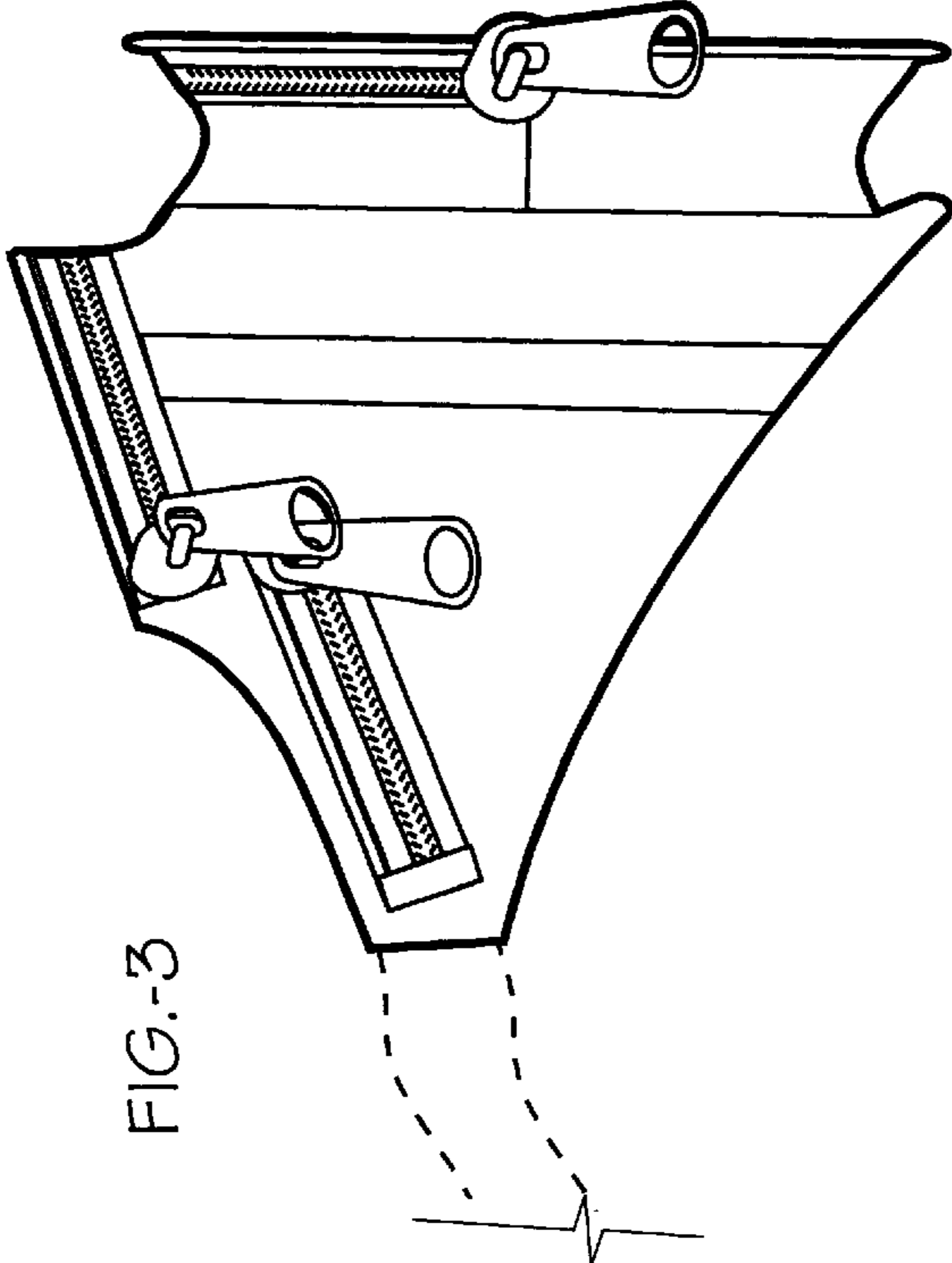


FIG.-4

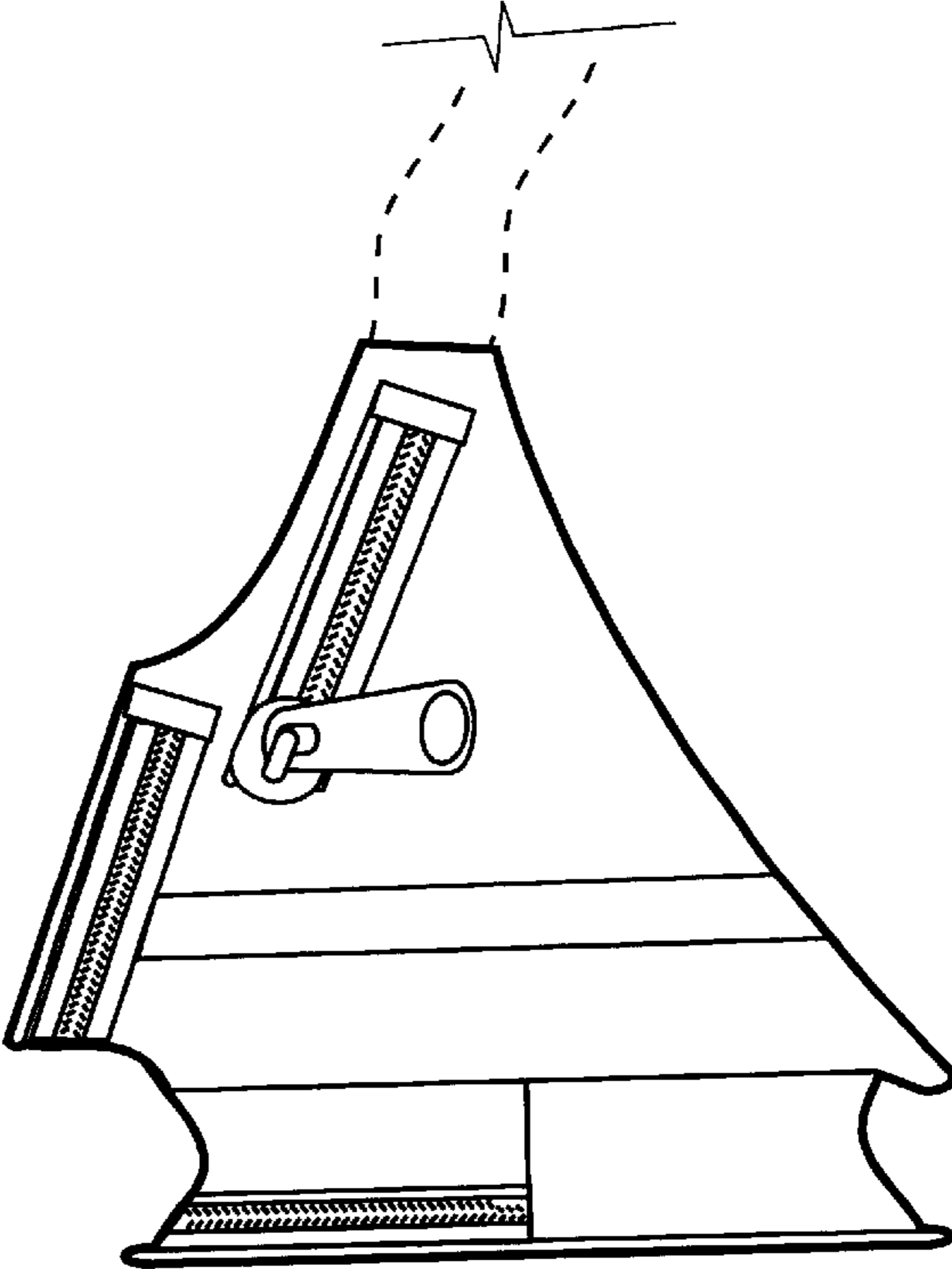


FIG.-5

