

US00D497714S1

(12) **United States Design Patent** (10) **Patent No.:** **US D497,714 S**
To (45) **Date of Patent:** **** Nov. 2, 2004**

(54) **REMOTE CONTROL TRANSMITTER
HOLSTER**

2002/0100784 A1 * 8/2002 Baird 224/679

* cited by examiner

(75) Inventor: **Nguyen To**, Oceanside, CA (US)

Primary Examiner—Catherine R. Oliver

(73) Assignee: **Directed Electronics, Inc.**, Vista, CA
(US)

(74) *Attorney, Agent, or Firm*—KC Bean, Esq.

(**) Term: **14 Years**

(57) **CLAIM**

The ornamental design for a remote control transmitter holster, as shown and described.

(21) Appl. No.: **29/195,773**

DESCRIPTION

(22) Filed: **Dec. 17, 2003**

(51) **LOC (7) Cl.** **03-01**

(52) **U.S. Cl.** **D3/218**

(58) **Field of Search** D3/218–219, 328;
D14/138, 147–151, 253, 251; 379/455,
446, 454, 449, 426; 455/550–575

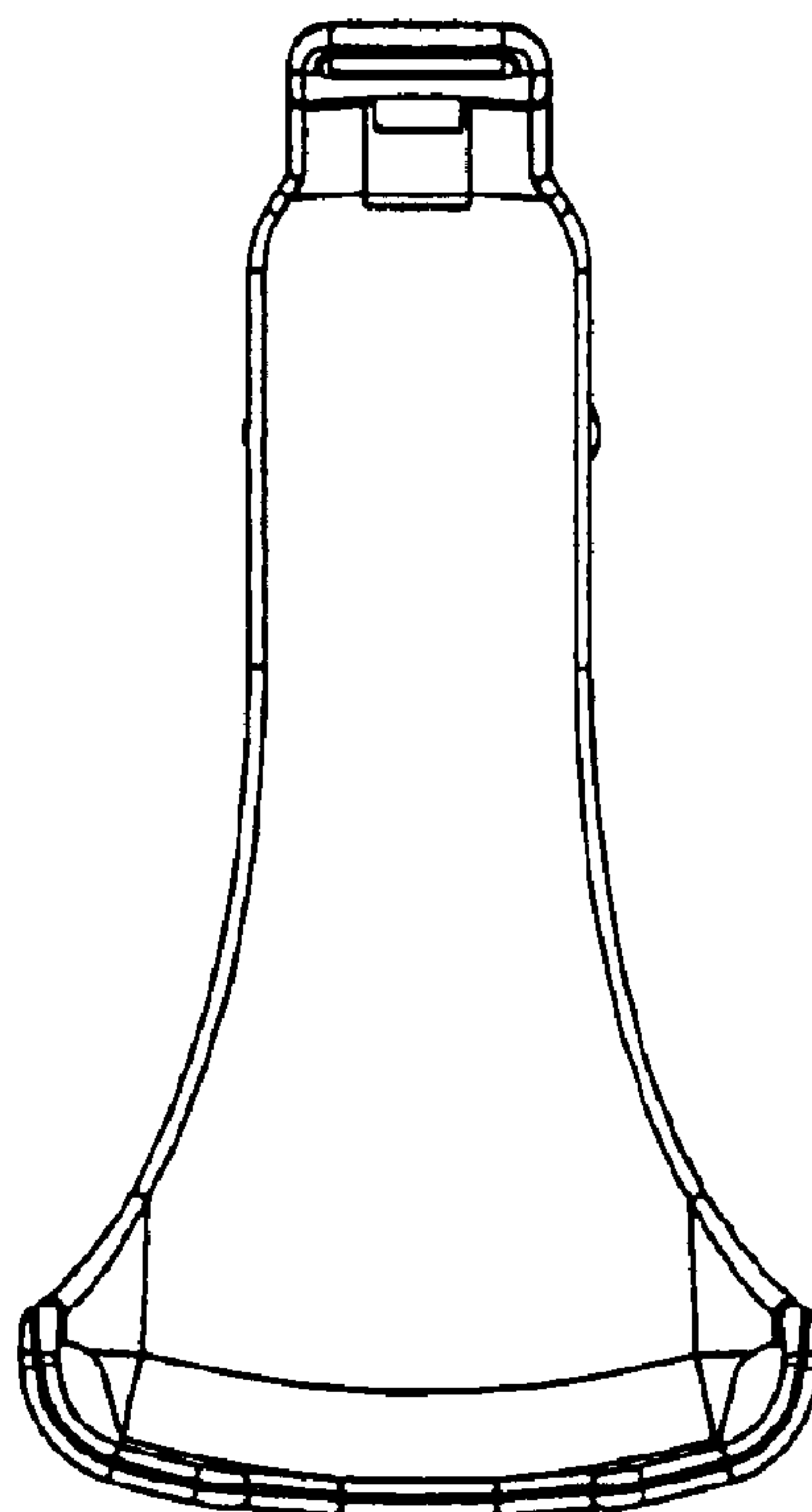
FIG. 1 is the front view of the remote control transmitter holster of my new design;
FIG. 2 is the left side view of the remote control transmitter holster of my new design;
FIG. 3 is the right side view of the remote control transmitter holster of my new design;
FIG. 4 is the rear view of the remote control transmitter holster of my new design;
FIG. 5 is the top plan view of the remote control transmitter holster of my new design; and,
FIG. 6 is the bottom plan view of the remote control transmitter holster of my new design.

(56) **References Cited**

U.S. PATENT DOCUMENTS

D413,022 S * 8/1999 Tyneski et al. D3/328
6,176,401 B1 * 1/2001 Lim 224/196
D451,915 S * 12/2001 Dalmau D14/253
D466,287 S * 12/2002 Tanaka D3/218

1 Claim, 1 Drawing Sheet



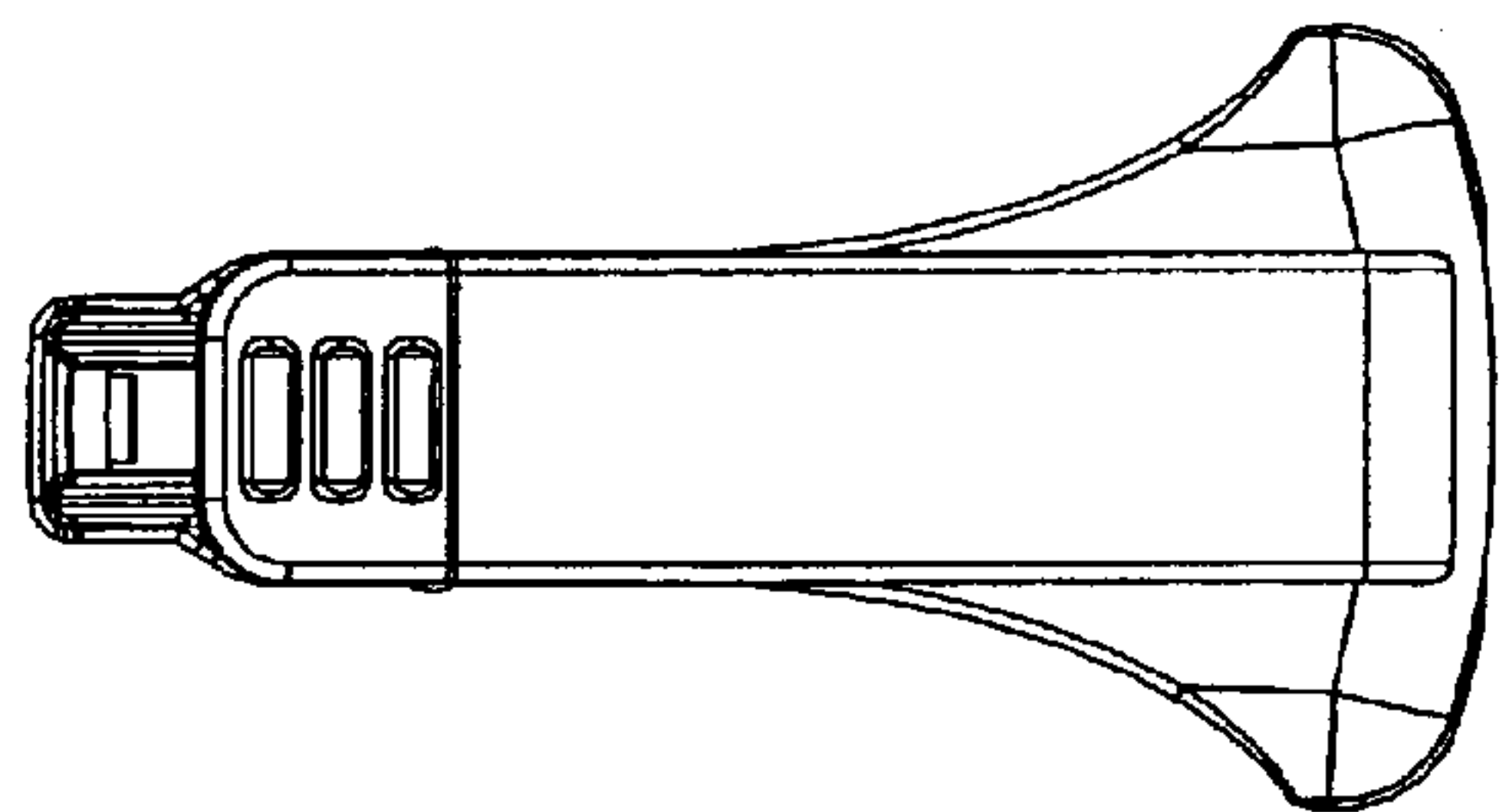


FIG. 4

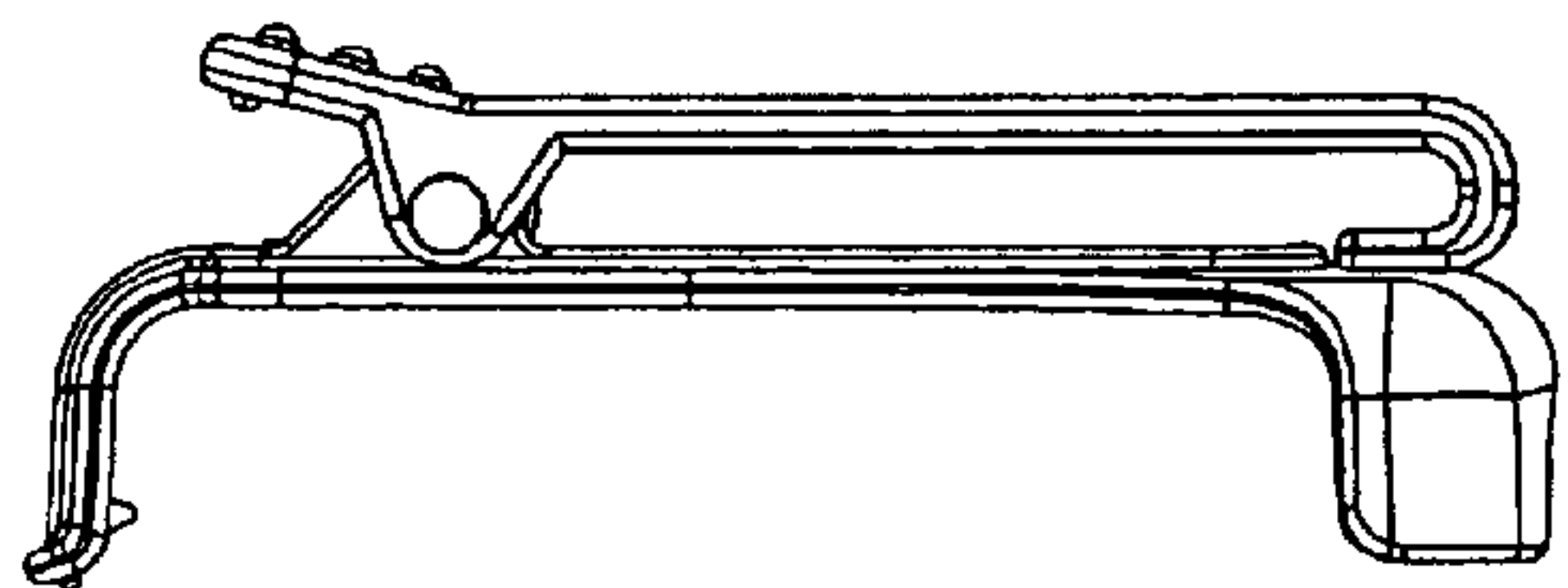


FIG. 3

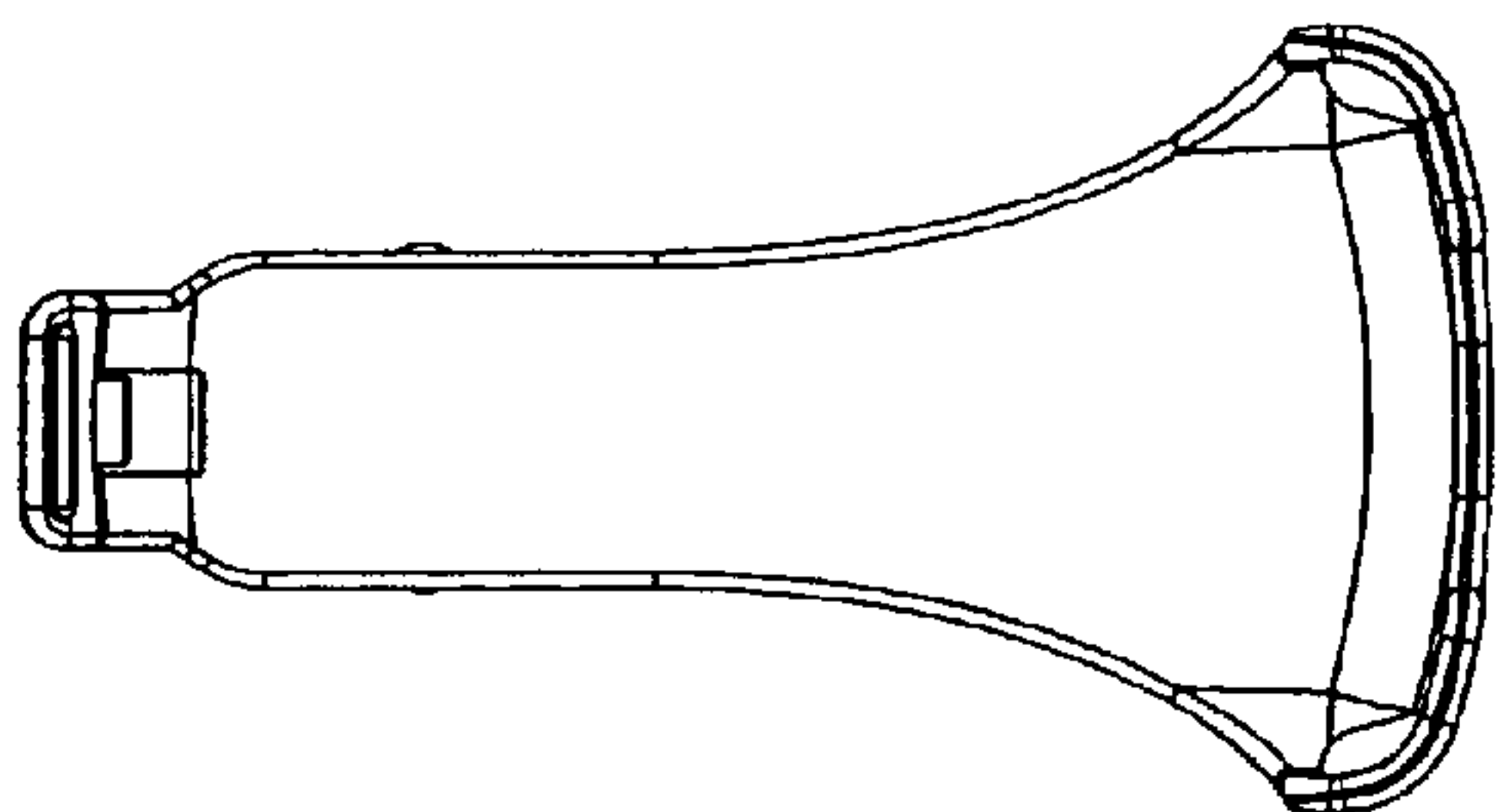


FIG. 1

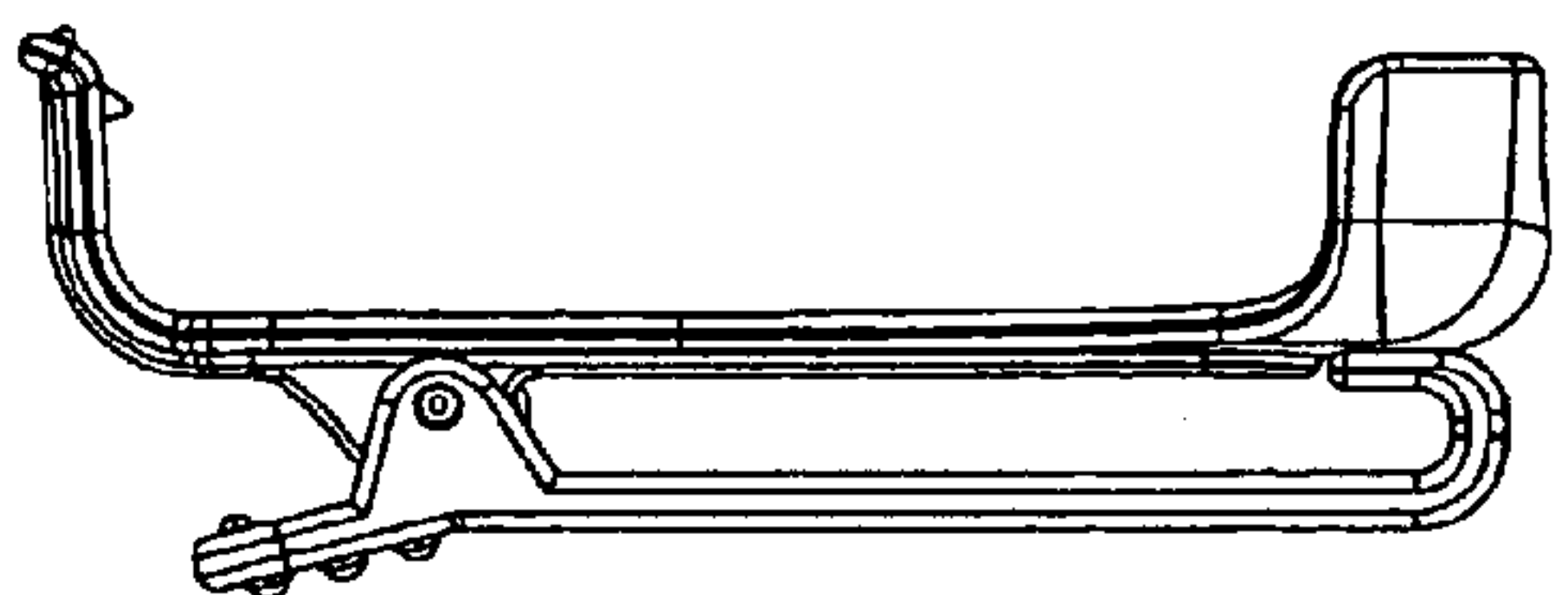


FIG. 2

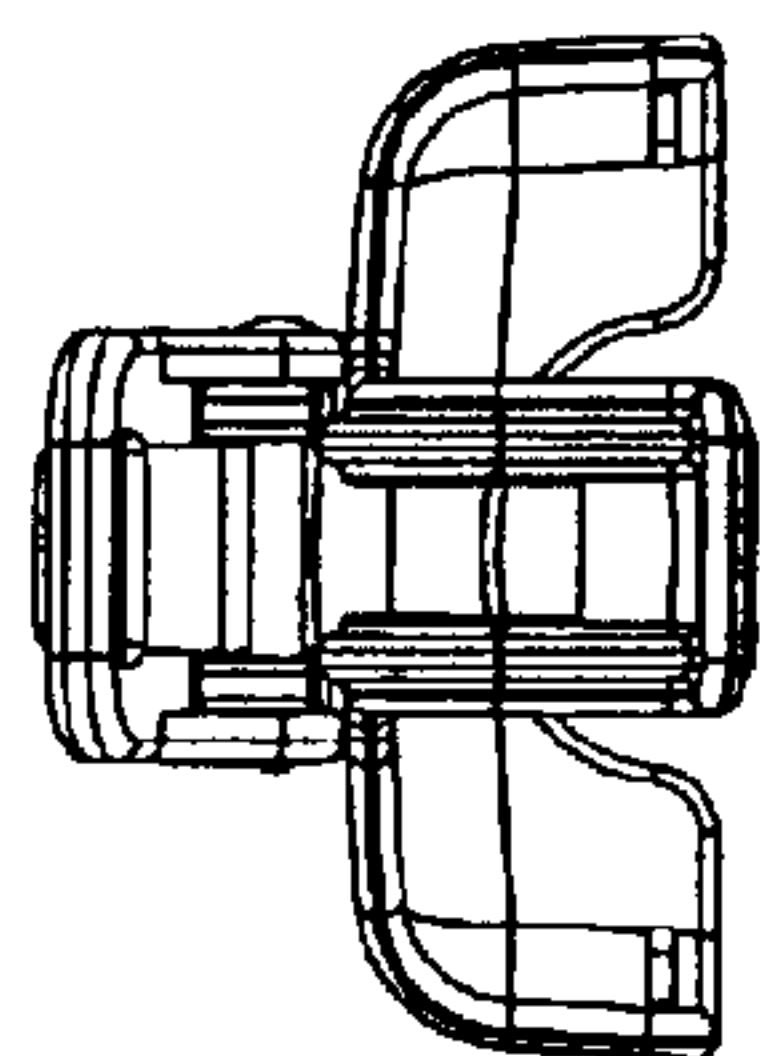


FIG. 5

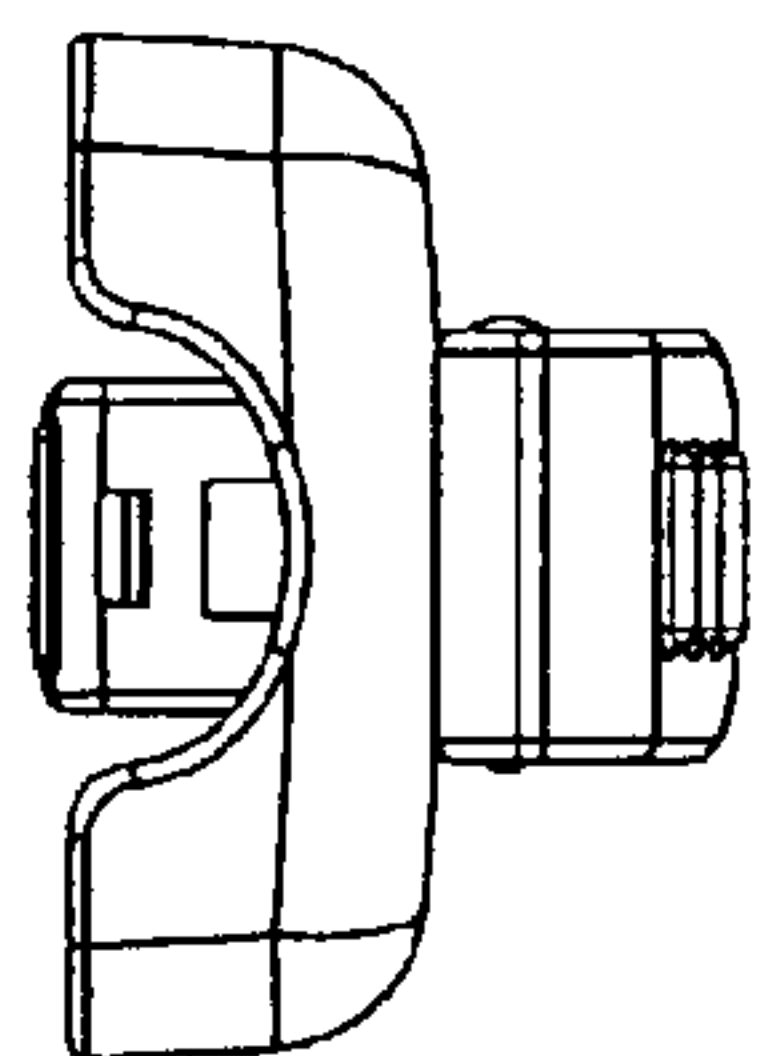


FIG. 6