

US00D497699S1

(12) **United States Design Patent** (10) **Patent No.:** **US D497,699 S**
Chi-Hsiang et al. (45) **Date of Patent:** **** Oct. 26, 2004**

(54) **LIQUID DISPENSING MOP**

(76) Inventors: **Wang Chi-Hsiang**, No. 20, Lane 16, Tai-Shun St., Tappei City (TW); **Tai Yung Ming**, 4 F, No. 18, Nan Chiao Lane, Pa Te City, Tua Yuan Hsien (TW)

(**) Term: **14 Years**

(21) Appl. No.: **29/187,844**

(22) Filed: **Aug. 8, 2003**

(51) **LOC (7) Cl.** **04-01**

(52) **U.S. Cl.** **D32/45; D32/50**

(58) **Field of Search** D32/35, 40, 45, D32/50, 51; 15/143.1, 147.1, 147.2, 209.1, 210.1, 228, 231, 233; 401/137-140, 15, 188 R, 268, 270, 278-279; D9/520, 526, 530, 537, 539, 549, 550

(56) **References Cited**

U.S. PATENT DOCUMENTS

- 1,986,199 A 1/1935 Henninger
- 2,043,145 A 6/1936 Bacher
- 2,053,282 A 9/1936 Gewalt
- 2,073,170 A 3/1937 Pieper
- 2,137,944 A 11/1938 MacLeod
- 2,254,487 A 9/1941 McCune
- 2,262,334 A 11/1941 Rugaard
- 2,301,586 A 11/1942 Rubin
- 2,440,014 A 4/1948 Ludwick
- 2,470,837 A 5/1949 Polson
- 2,828,503 A 4/1958 Goldstein
- 3,012,264 A 12/1961 Nash
- 3,081,481 A * 3/1963 Nohl et al. 401/138
- 3,729,268 A 4/1973 Failing
- 3,784,311 A 1/1974 Failing
- 4,114,223 A 9/1978 Buchanan
- 4,119,386 A 10/1978 Cushing
- 4,225,998 A 10/1980 Thielen
- 4,863,299 A * 9/1989 Osberghaus et al. 401/15
- 5,343,587 A 9/1994 Findley

- 5,455,980 A 10/1995 Buchanan
- 5,461,749 A 10/1995 Ahlberg et al.
- D396,908 S 8/1998 Beechuk et al.
- 5,888,006 A 3/1999 Ping et al.
- 5,988,920 A 11/1999 Kunkler et al.
- 6,048,123 A 4/2000 Holt et al.
- 6,243,909 B1 6/2001 Graham et al.
- 6,319,593 B1 11/2001 Kenmochi et al.
- 6,332,234 B1 12/2001 Graham et al.
- D458,427 S 6/2002 Kunkler et al.
- D462,150 S 8/2002 Rader et al.
- 6,540,424 B1 4/2003 Hall et al.
- D487,174 S * 2/2004 Colman et al. D32/45

FOREIGN PATENT DOCUMENTS

WO WO 98/11812 3/1998

* cited by examiner

Primary Examiner—Alan P. Douglas
Assistant Examiner—Lavone D. Tabor
(74) *Attorney, Agent, or Firm*—Loletta L. Darden; James M. Wakely

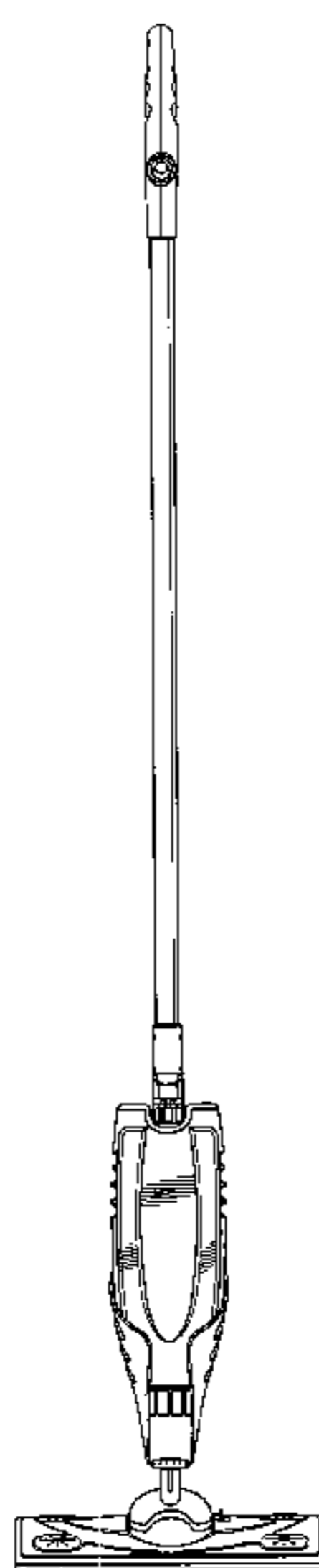
(57) **CLAIM**

The ornamental design for a liquid dispensing mop, as shown.

DESCRIPTION

FIG. 1 is a perspective view of a liquid dispensing mop; FIG. 2 is a rear elevation view of the liquid dispensing mop shown in FIG. 1; FIG. 3 is a front elevation view of the liquid dispensing mop shown in FIG. 1; FIG. 4 is a left side elevation view of the liquid dispensing mop shown in FIG. 1; FIG. 5 is a top plan view of the liquid dispensing mop shown in FIG. 1; and, FIG. 6 is a bottom plan view of the liquid dispensing mop shown in FIG. 1.

1 Claim, 3 Drawing Sheets



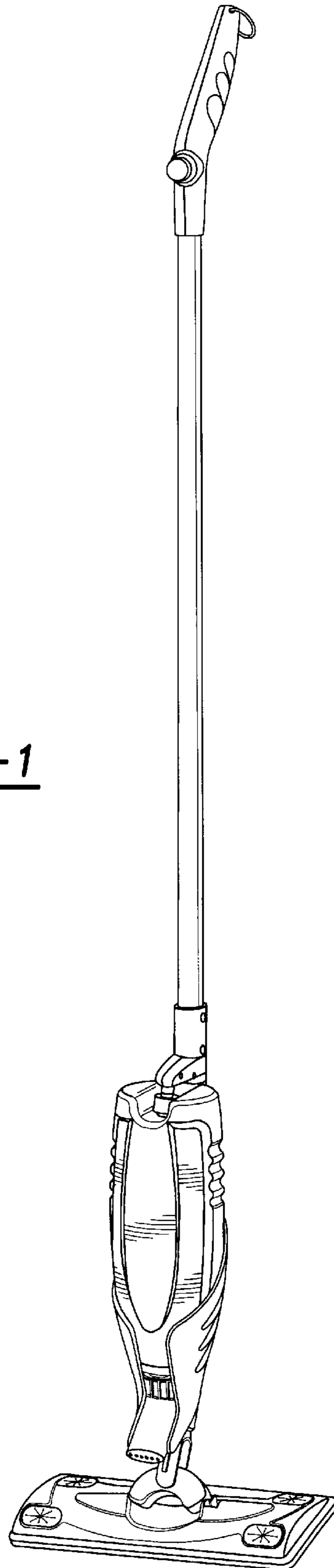


Fig-1

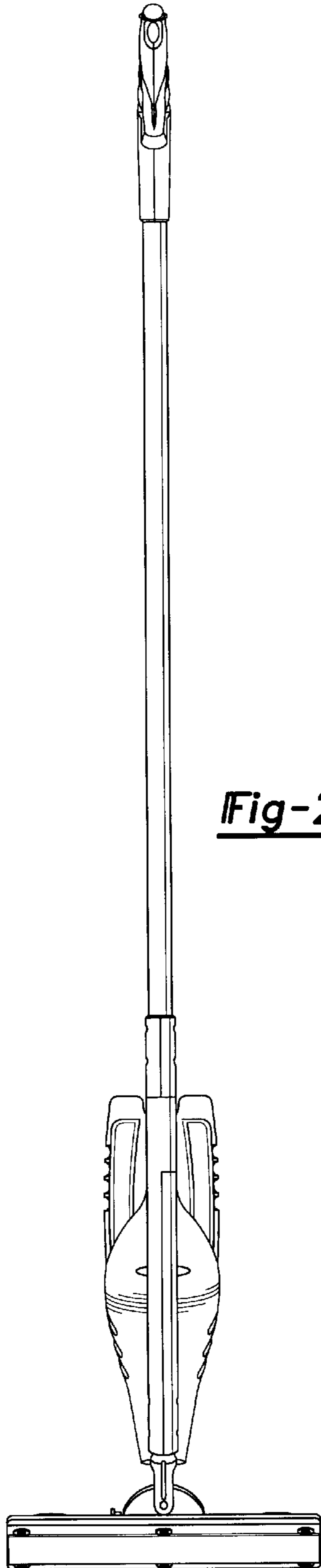


Fig-2

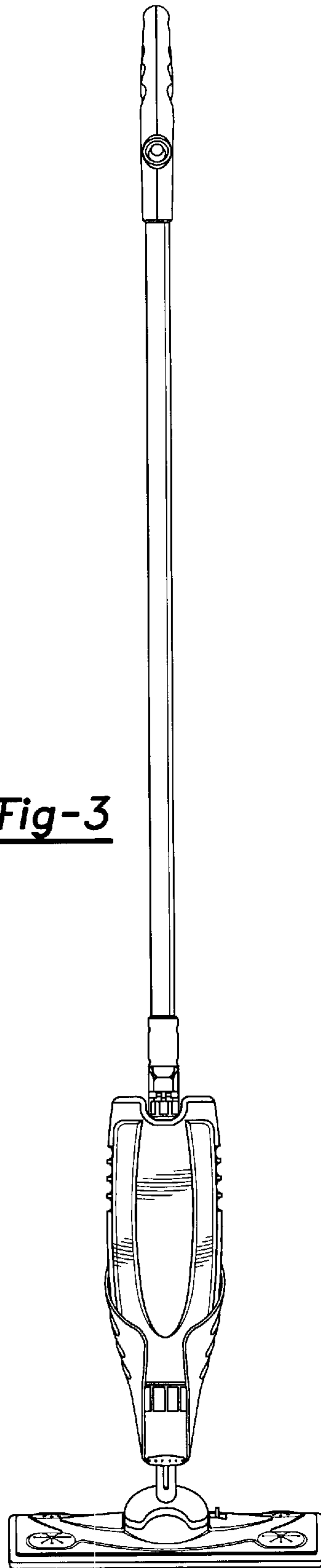


Fig-3

