

US00D497694S1

(12) **United States Design Patent**
Wareham et al.

(10) **Patent No.:** **US D497,694 S**
(45) **Date of Patent:** **** Oct. 26, 2004**

(54) **MECHANICAL SWEEPER**

(75) Inventors: **Richard A. Wareham**, Uniontown, OH (US); **Peter Ho Ka Nam**, Kowloon (HK)

(73) Assignee: **The Hoover Company**, North Canton, OH (US)

(**) Term: **14 Years**

(21) Appl. No.: **29/188,497**

(22) Filed: **Aug. 20, 2003**

(51) **LOC (7) Cl.** **15-05**

(52) **U.S. Cl.** **D32/19**

(58) **Field of Search** D32/1, 15, 17-22, D32/25, 31; D8/61-62; D4/102; 15/23, 28, 32, 34, 42

(56) **References Cited**

U.S. PATENT DOCUMENTS

D166,140 S	*	3/1952	Atkins	D32/22
3,750,215 A	*	8/1973	Liebscher	15/42
D289,933 S	*	5/1987	Berfield et al.	D32/20
D361,178 S	*	8/1995	Piret	D32/21

OTHER PUBLICATIONS

Manual Powered Sweepers Mini Sweep and Maxi Sweep, May 2001.

Turbo 770/970 Haaga Hand Sweeping Machine, no date.

* cited by examiner

Primary Examiner—Robert A. Delehanty

(74) *Attorney, Agent, or Firm*—A. Burgess Lowe; John W. Morrison

(57) **CLAIM**

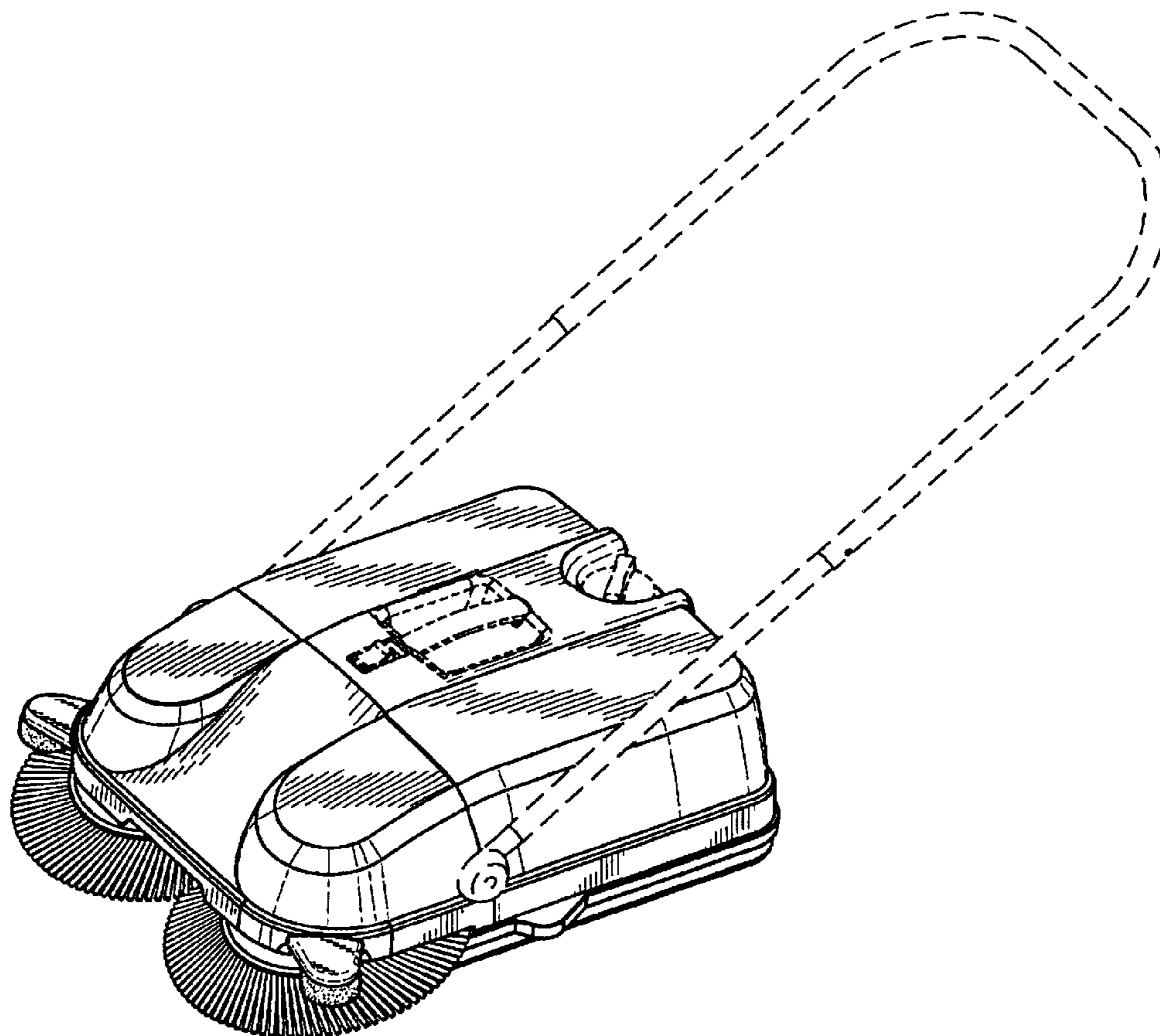
The ornamental design of mechanical sweeper, as shown and described.

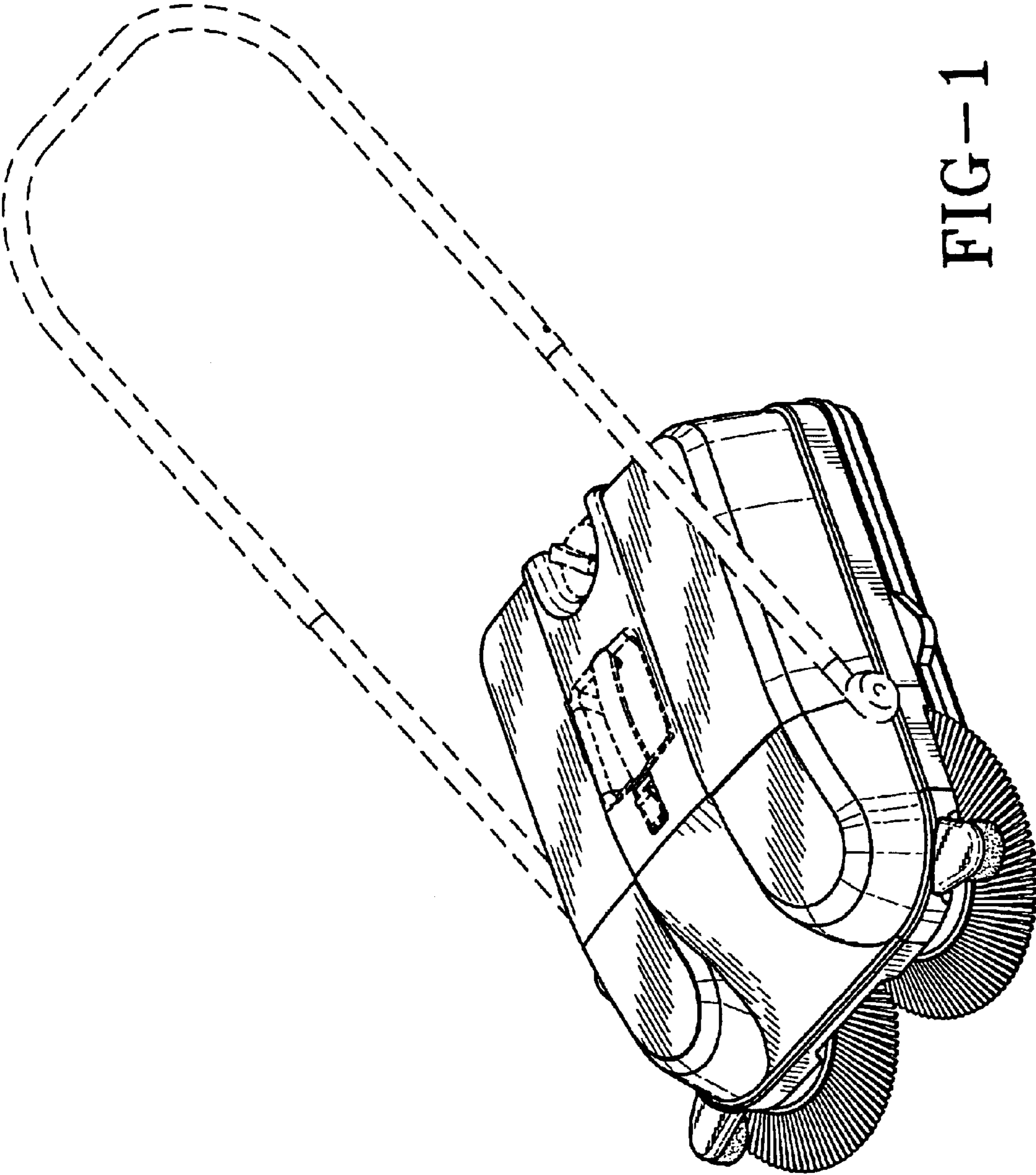
DESCRIPTION

FIG. 1 is a front perspective view of a mechanical sweeper; FIG. 2 is a top elevational view thereof; FIG. 3 is a front elevational view thereof; FIG. 4 is a left side elevational view thereof; FIG. 5 is a right side elevational view thereof; and, FIG. 6 is a rear elevational view thereof.

In FIGS. 1 through 6, the broken lines showing the mechanical sweeper and associated details are for illustrative purposes only and form no part of the claimed design.

1 Claim, 3 Drawing Sheets





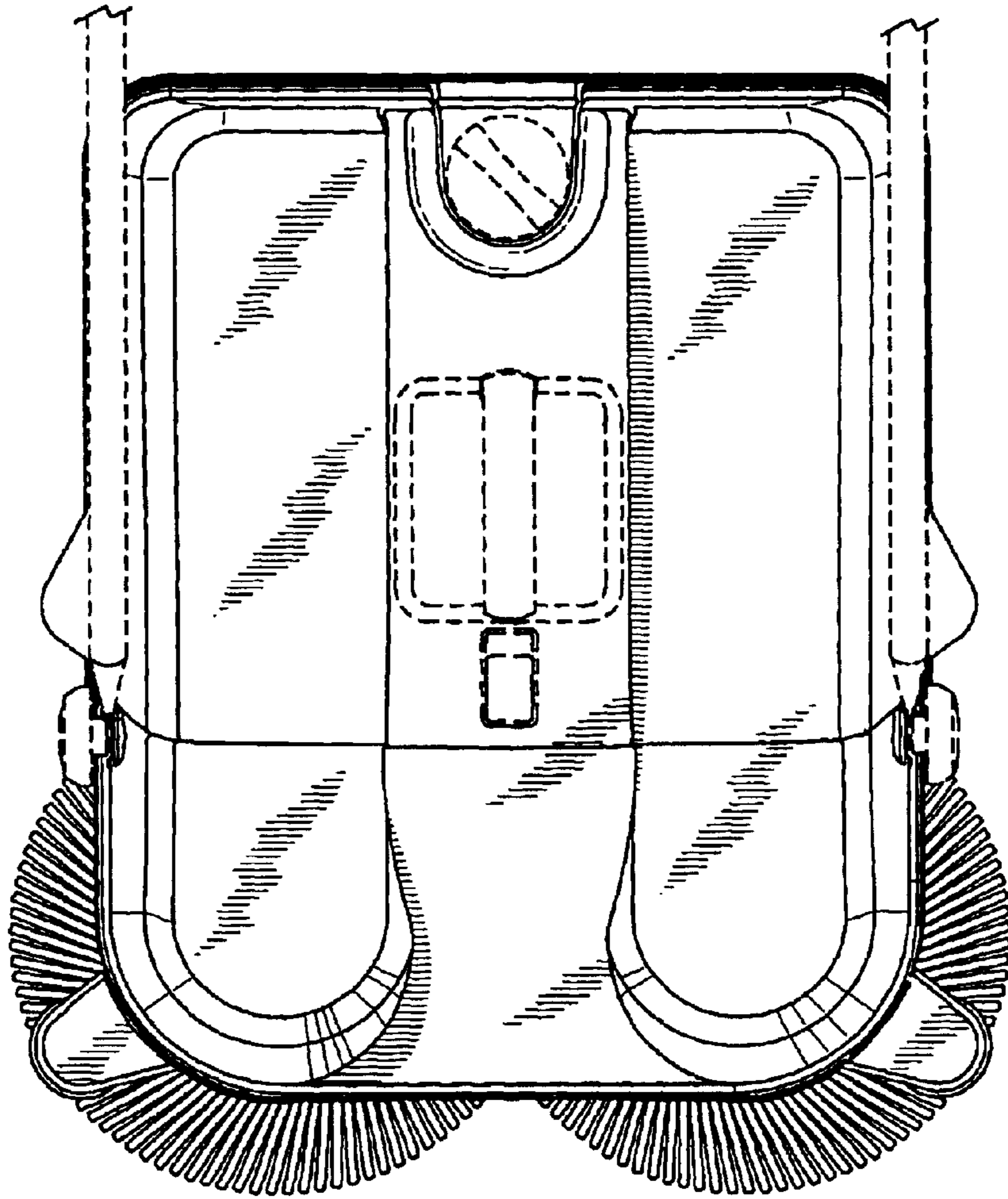


FIG-2

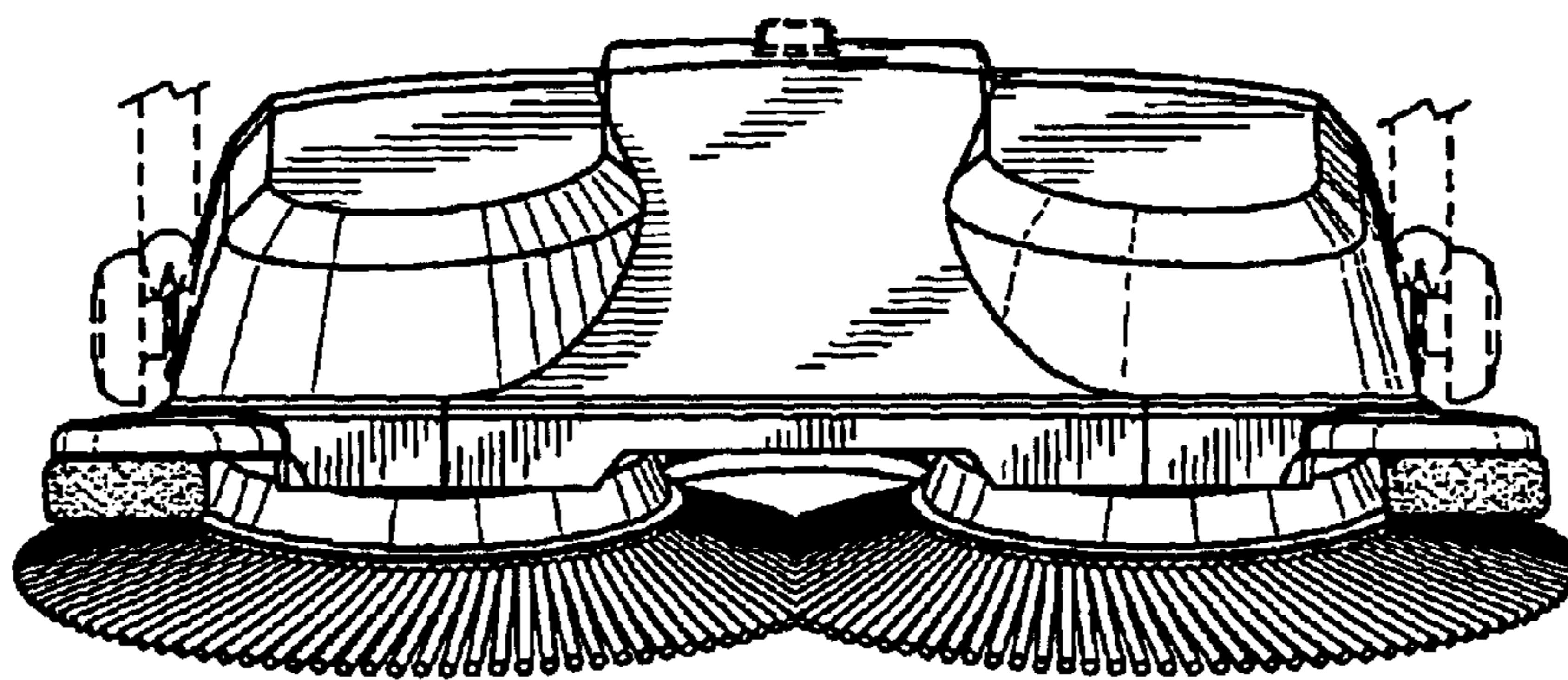


FIG-3

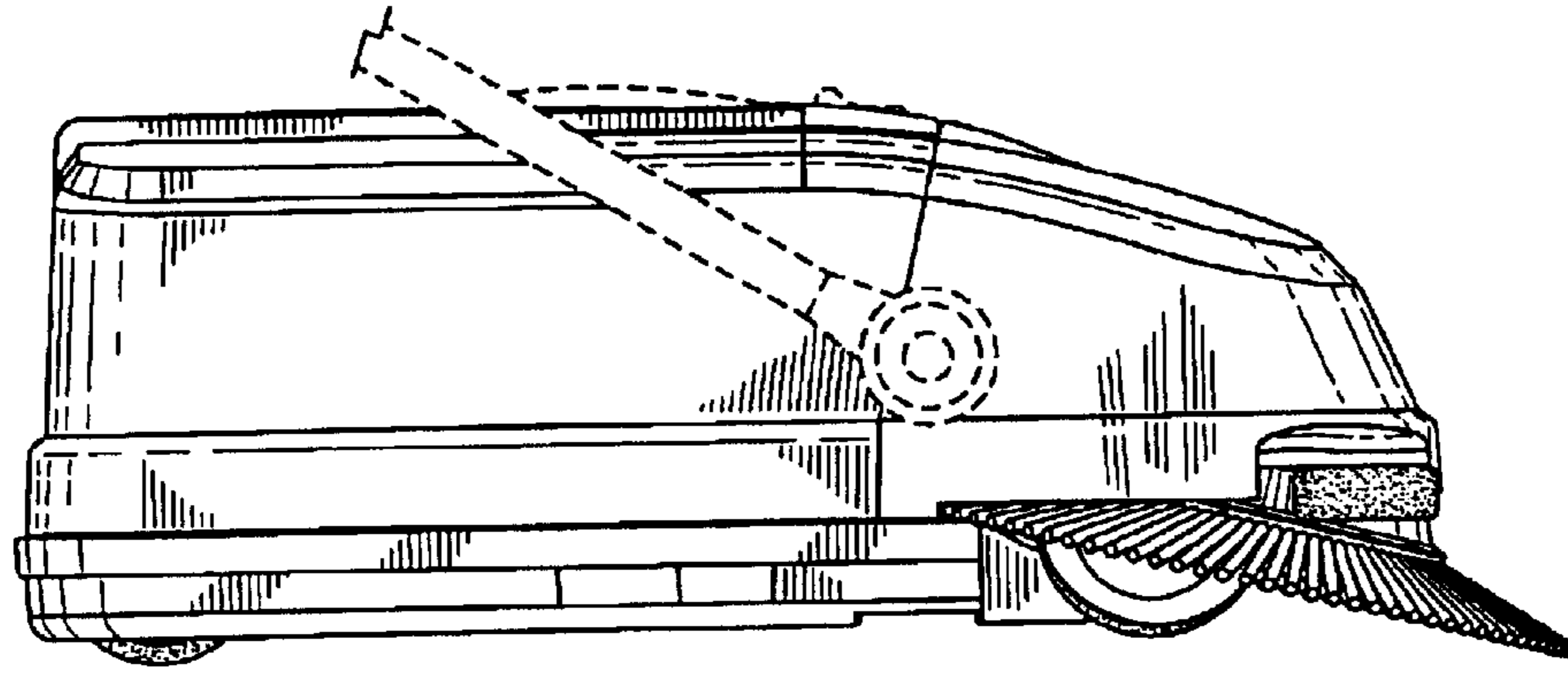


FIG-4

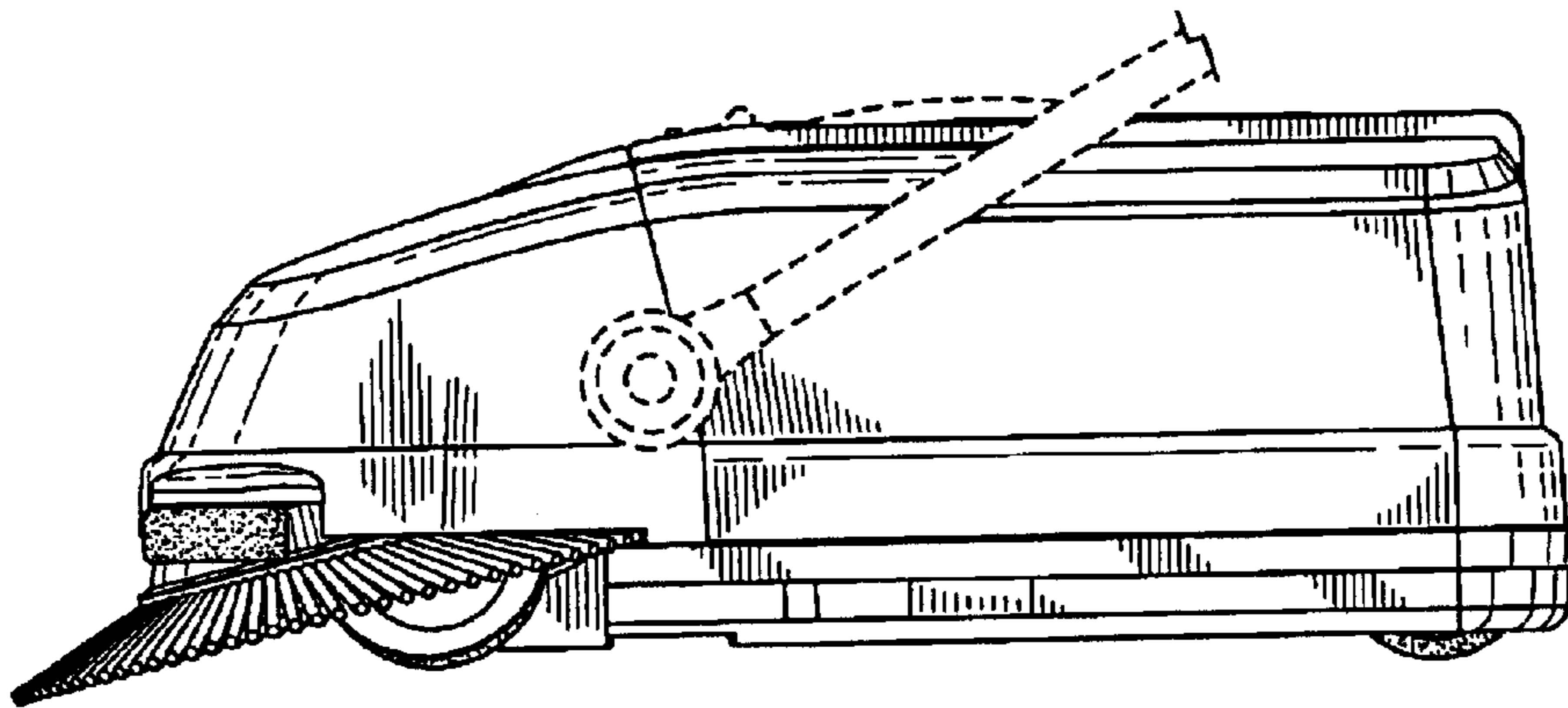


FIG-5

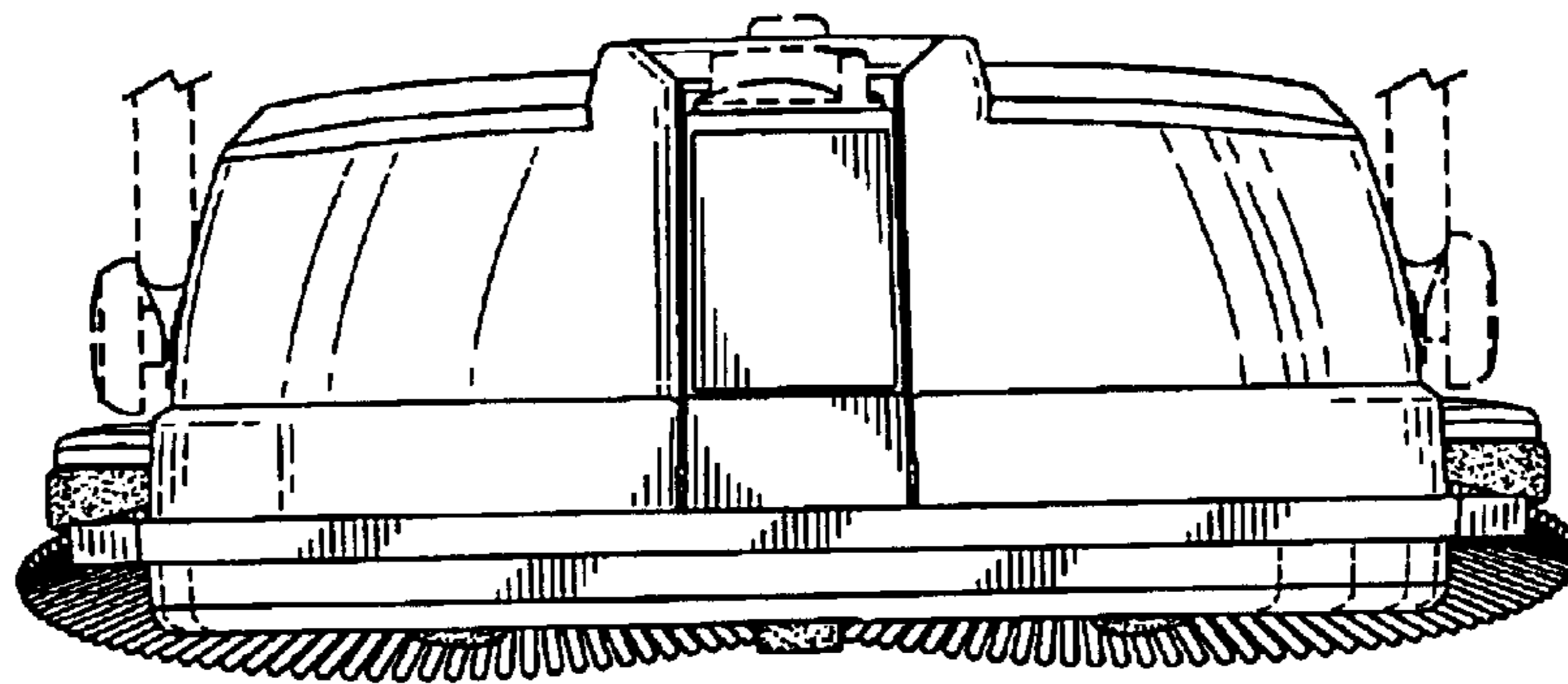


FIG-6