

US00D497687S1

(12) **United States Design Patent**
Takada

(10) **Patent No.:** **US D497,687 S**

(45) **Date of Patent:** **** Oct. 26, 2004**

- (54) **HAIR TREATMENT APPARATUS**
- (75) **Inventor:** **Tamoaki Takada, Osaka (JP)**
- (73) **Assignee:** **Takara Belmont Corporation, Osaka (JP)**
- (**) **Term:** **14 Years**
- (21) **Appl. No.:** **29/171,001**
- (22) **Filed:** **Nov. 15, 2002**
- (30) **Foreign Application Priority Data**
May 17, 2002 (JP) 2002-013262
- (51) **LOC (7) Cl.** **28-03**
- (52) **U.S. Cl.** **D28/17**
- (58) **Field of Search** D28/12-19; 34/96-101;
392/380, 382, 383, 384, 385; D6/366, 498

- 4,352,248 A * 10/1982 Kobayashi 34/88
- 6,457,254 B2 * 10/2002 Sahm 34/96
- D473,013 S * 4/2003 Patzak D28/17

OTHER PUBLICATIONS

Modern Beauty Shop, Mar., 1958, p. 111, the "Wellapor Steam Activator", hair steamer.*

* cited by examiner

Primary Examiner—Lucy Lieberman
(74) *Attorney, Agent, or Firm*—Birch, Stewart, Kolasch & Birch, LLP

(57) **CLAIM**

The ornamental design for a hair treatment apparatus, as shown and described.

DESCRIPTION

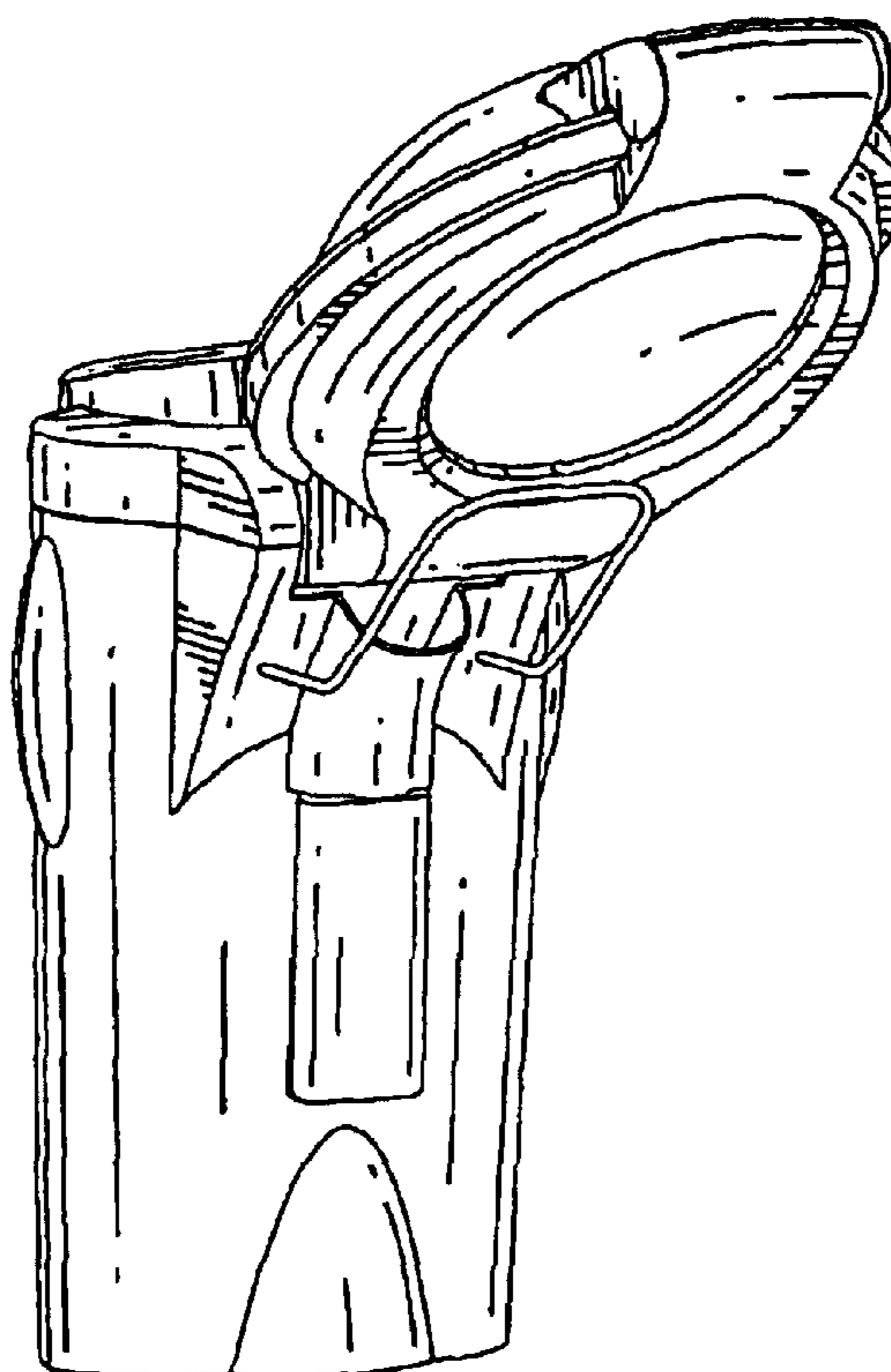
FIG. 1 is a front view of a hair treatment apparatus showing my new design;
FIG. 2 is a rear view thereof;
FIG. 3 is a left side view thereof;
FIG. 4 is a right side view thereof;
FIG. 5 is a top plan view thereof;
FIG. 6 is a bottom view thereof;
FIG. 7 is a front, left perspective view thereof; and,
FIG. 8 is a rear, right perspective view thereof.

(56) **References Cited**

U.S. PATENT DOCUMENTS

- 1,796,384 A * 3/1931 McElroy 34/60
- 1,998,198 A * 4/1935 Leland 34/99
- 2,201,229 A * 5/1940 Gross 34/82
- 2,290,259 A * 7/1942 Vose 34/99
- 2,474,427 A * 6/1949 Kending 34/99
- 2,662,303 A * 12/1953 Myers 34/87
- 4,256,127 A * 3/1981 Tsujimoto et al. 132/212
- 4,258,731 A * 3/1981 Tsujimoto et al. 132/212

1 Claim, 8 Drawing Sheets



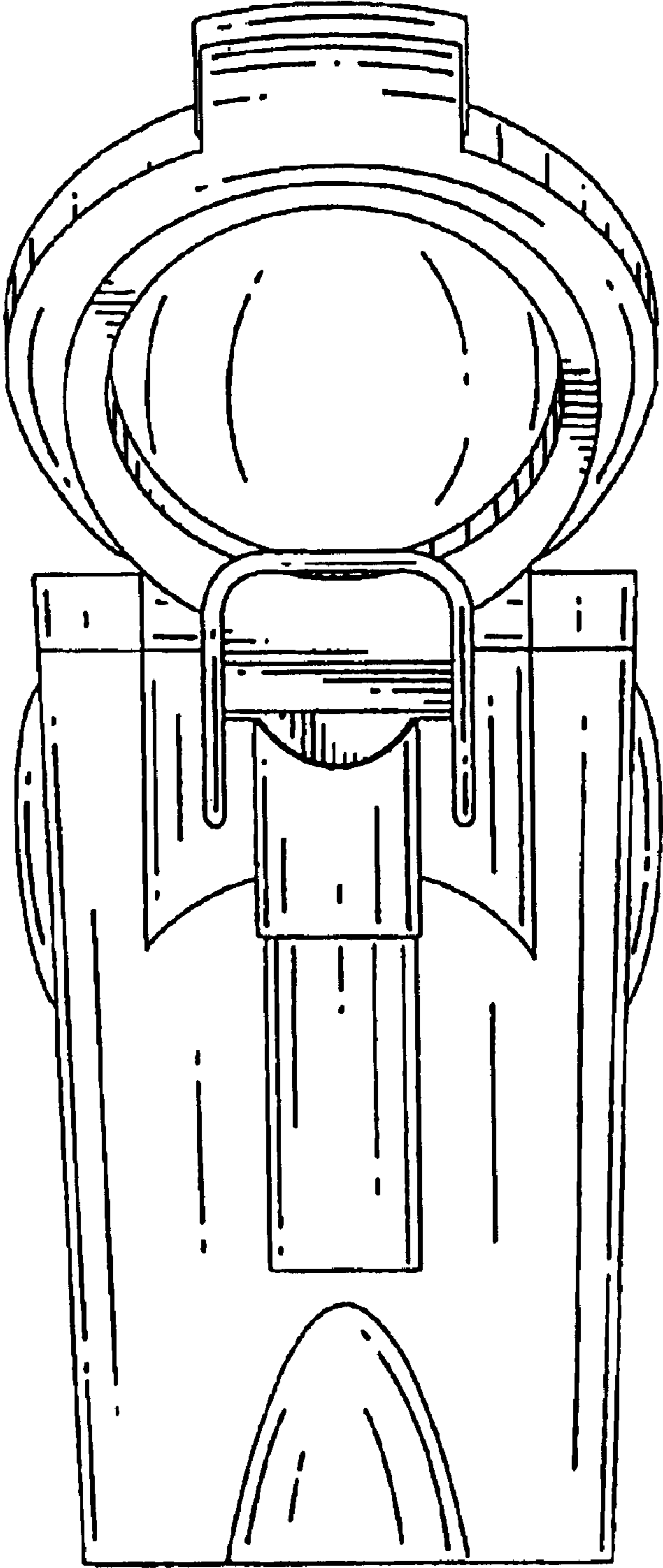


FIG. 1

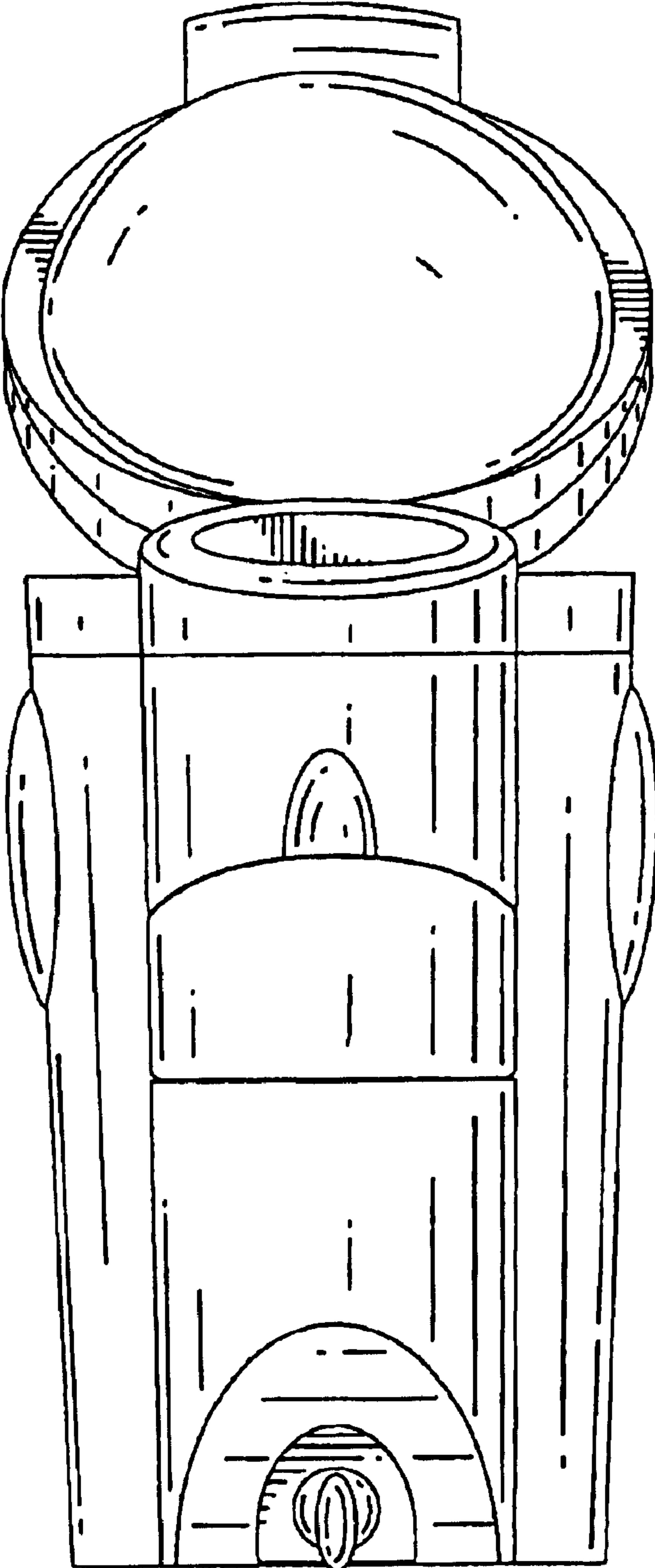


FIG.2

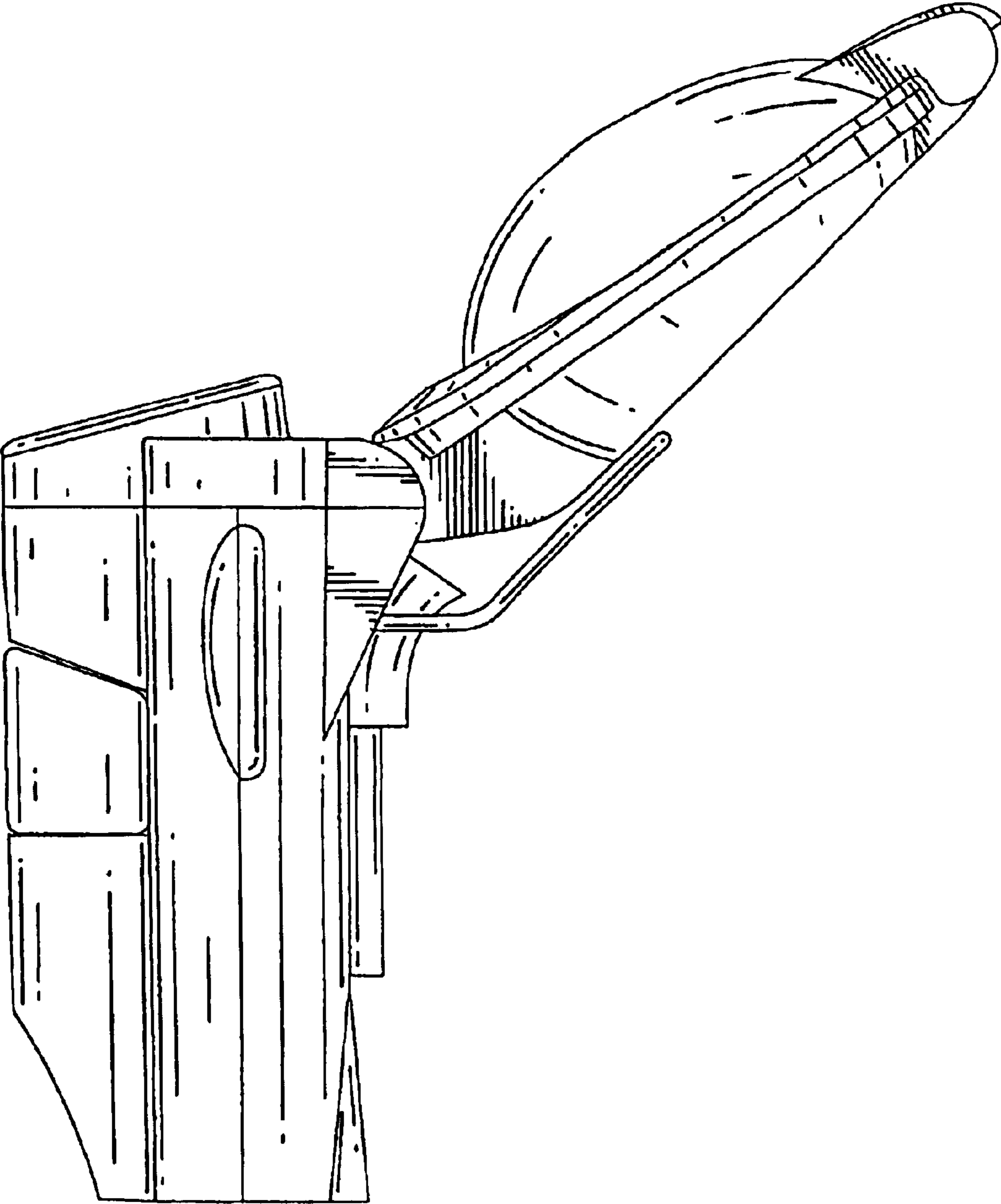


FIG.3

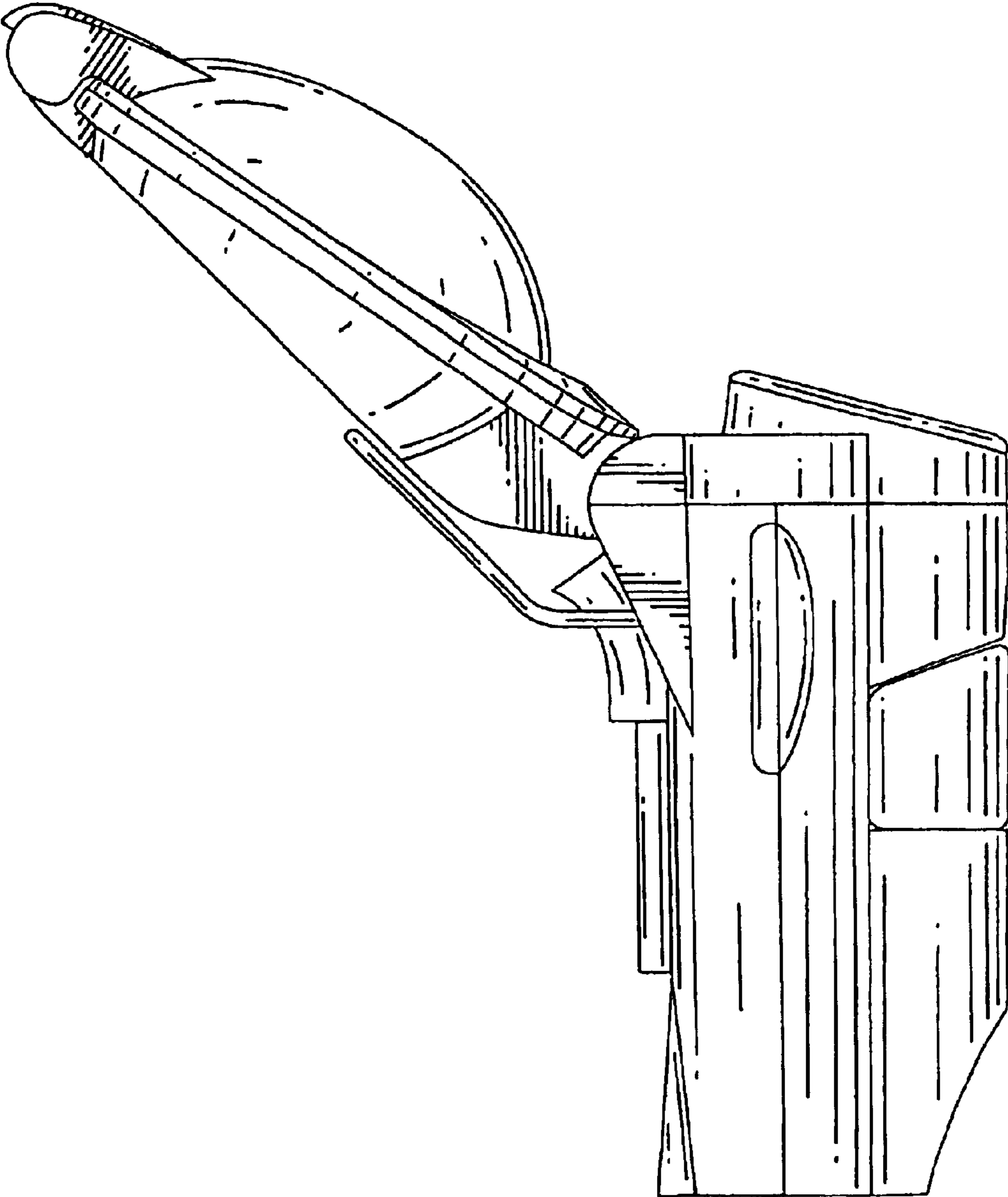


FIG.4

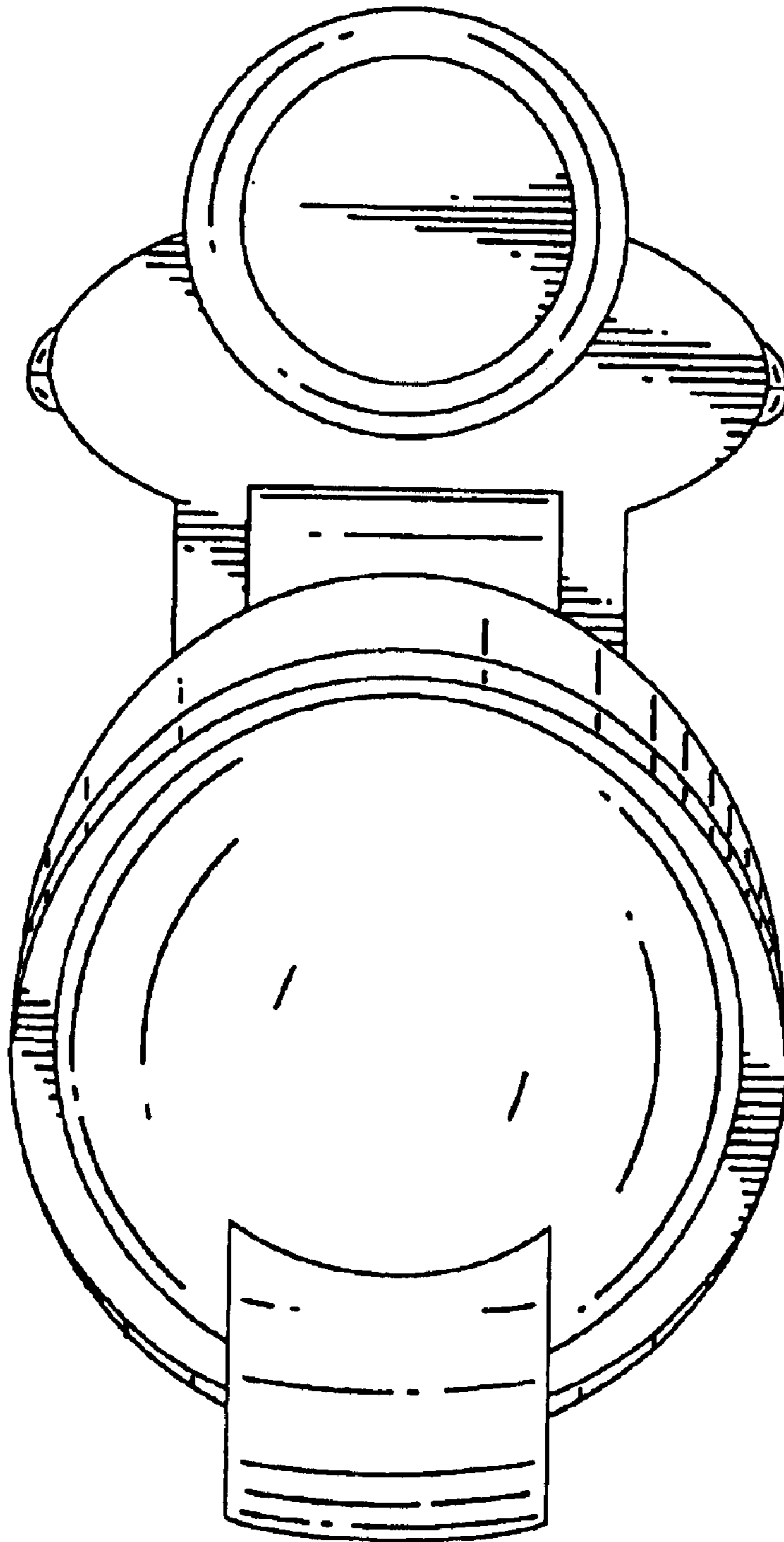


FIG.5

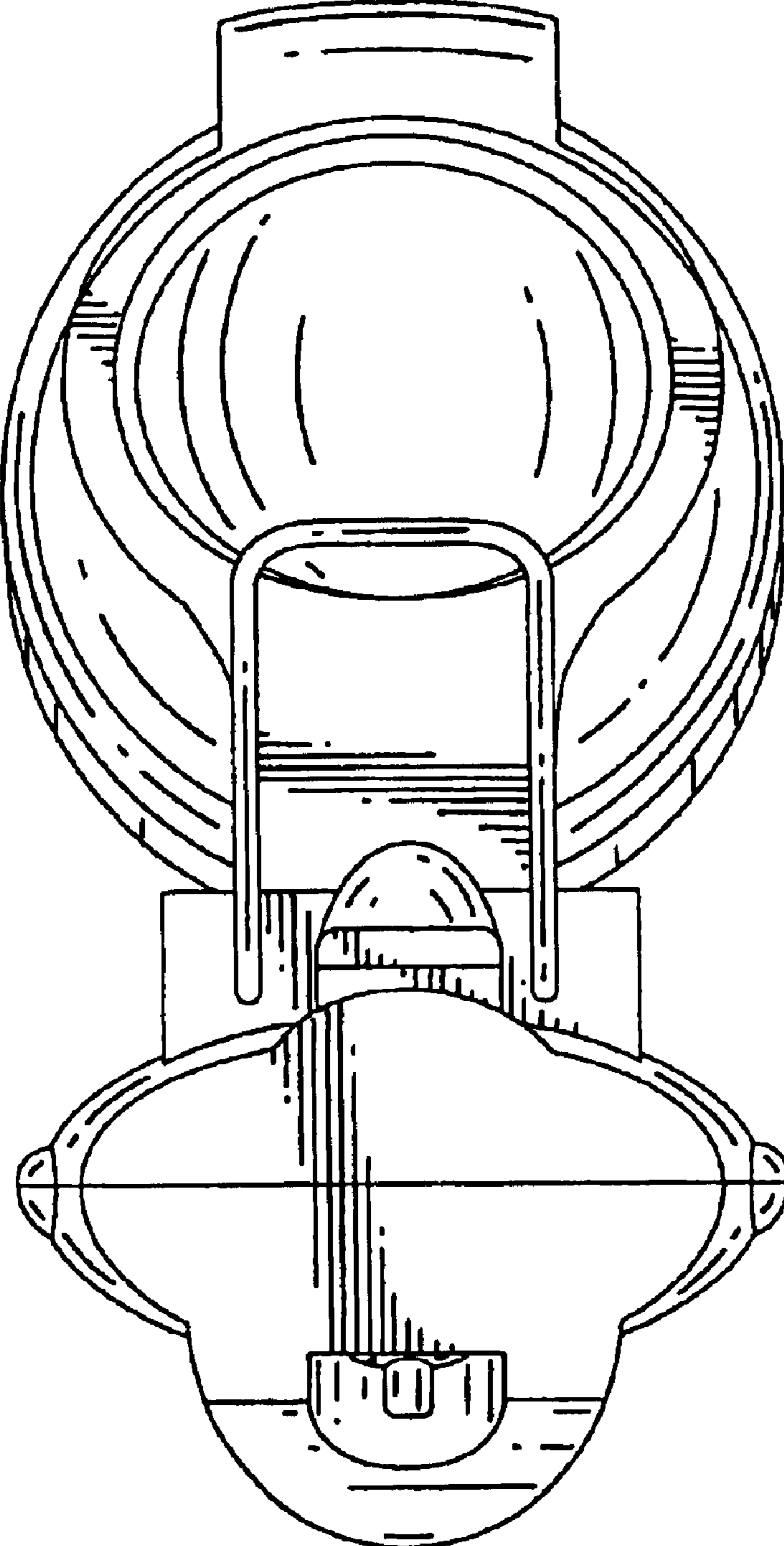


FIG.6

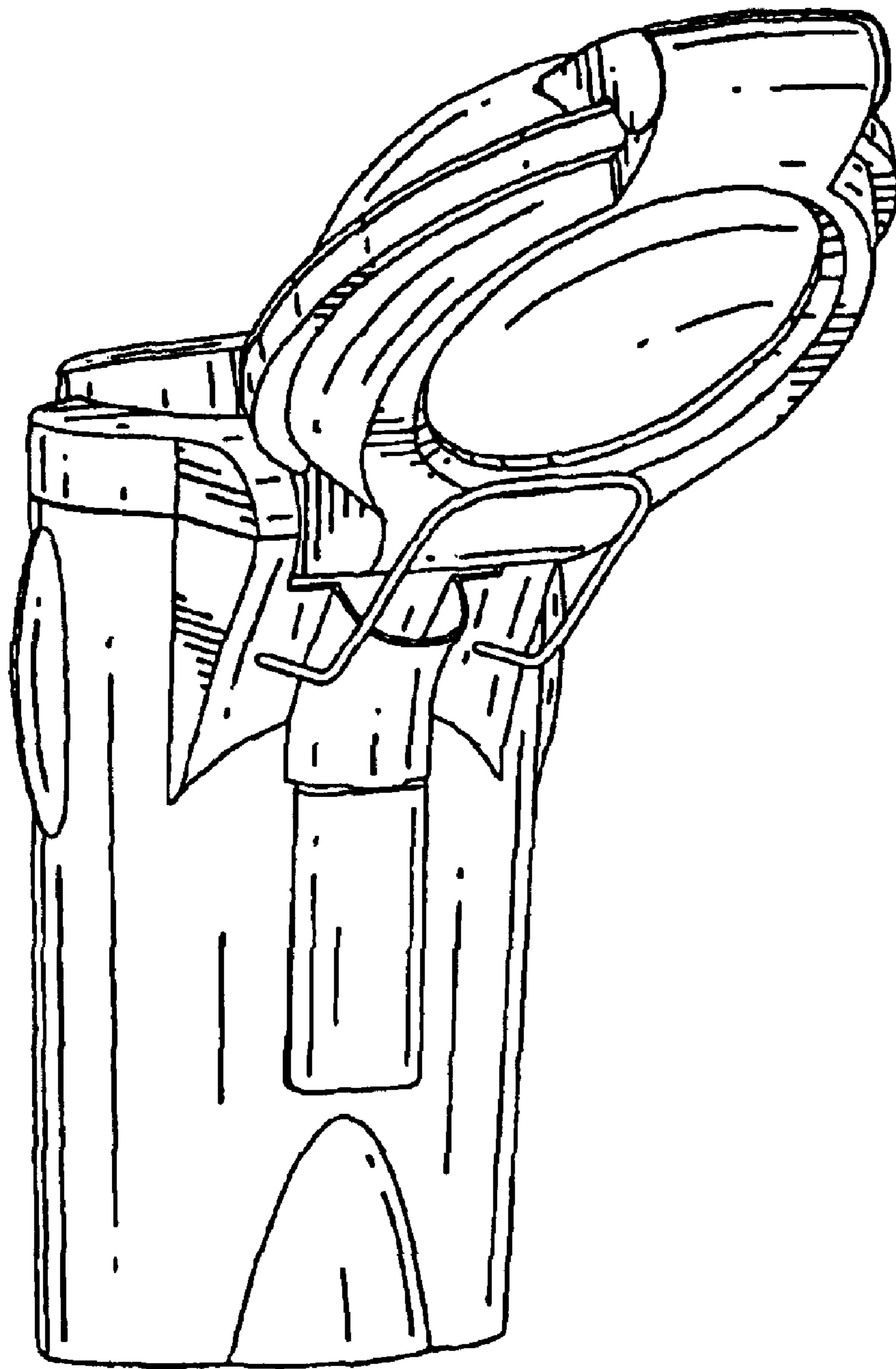


FIG. 7

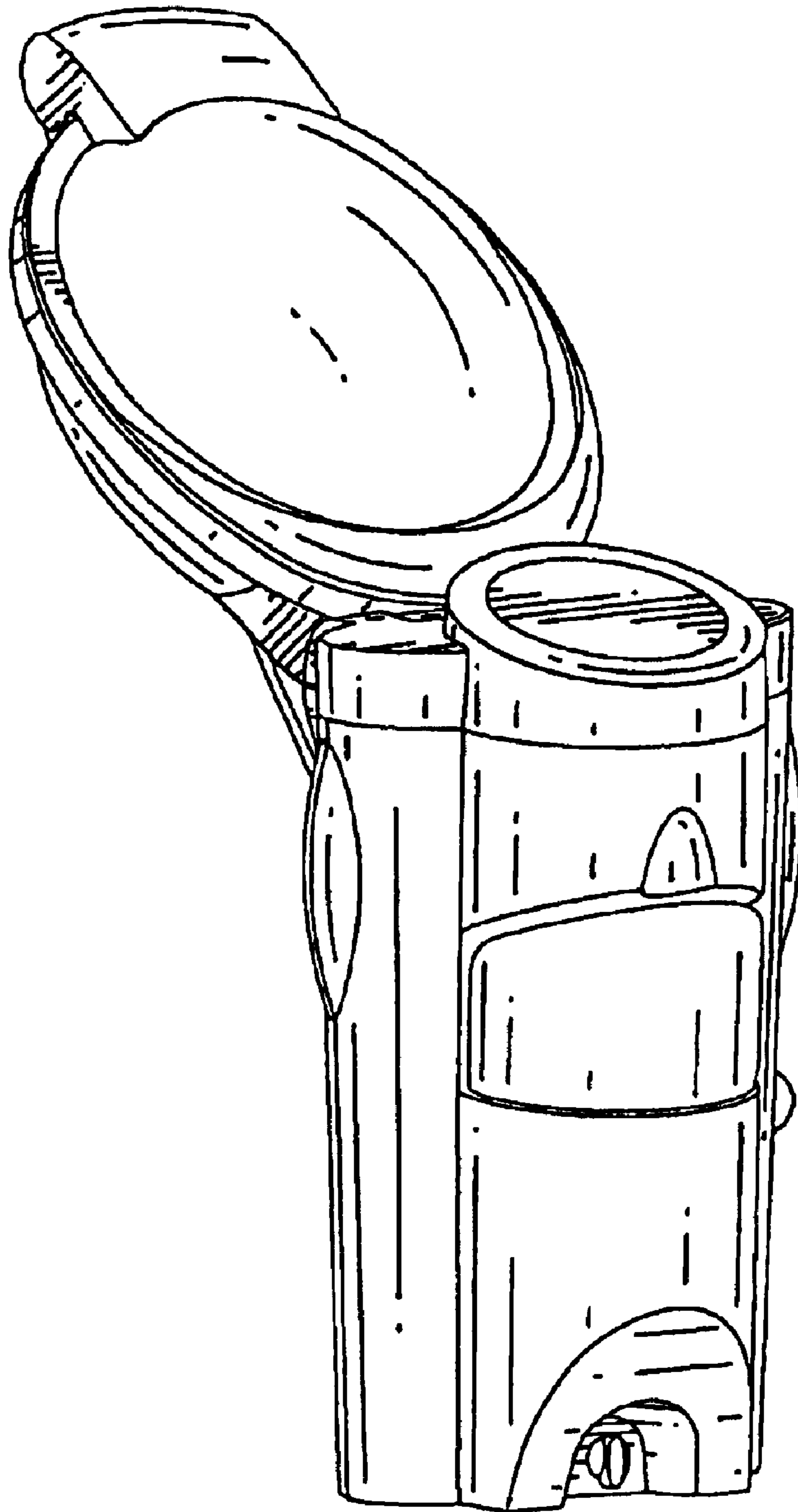


FIG. 8