

US00D497686S1

(12) **United States Design Patent**
Boyd

(10) **Patent No.:** **US D497,686 S**

(45) **Date of Patent:** **** Oct. 26, 2004**

(54) **DENTIFRICE**

(75) **Inventor:** **Thomas J. Boyd, Somerset, NJ (US)**

(73) **Assignee:** **Colgate-Palmolive Company, New York, NY (US)**

(**) **Term:** **14 Years**

(21) **Appl. No.:** **29/190,645**

(22) **Filed:** **Sep. 25, 2003**

(51) **LOC (7) Cl. 28-02**

(52) **U.S. Cl. D28/4; D28/8.1**

(58) **Field of Search D28/4, 8.1, 88, D28/90; 424/49, 50, 52, 53, 54, 58; D1/112, 130**

(56) **References Cited**

U.S. PATENT DOCUMENTS

3,944,661 A	3/1976	Colodney et al.	424/49
4,003,971 A	1/1977	Mannara	264/9
4,069,311 A	1/1978	Mannara	424/49
4,069,312 A	1/1978	Mannara	424/49
D277,611 S	* 2/1985	Sanabria	D28/8.1
4,663,152 A	* 5/1987	Barth et al.	424/49
4,849,212 A	7/1989	Glandorf et al.	424/52
D304,382 S	* 10/1989	Mohrle	D28/8.1

5,993,784 A	* 11/1999	Hill	424/49
D420,463 S	2/2000	Mandadi et al.	D28/4
6,126,923 A	* 10/2000	Burke et al.	424/49
6,139,820 A	* 10/2000	Fischer et al.	424/52
6,592,852 B1	* 7/2003	Ryles et al.	424/49

* cited by examiner

Primary Examiner—Jennifer Rivard

(74) *Attorney, Agent, or Firm*—Clifford E. Wilkins; Michael J. McGreal

(57) **CLAIM**

The ornamental design for a dentifrice, as shown and described.

DESCRIPTION

FIG. 1 is a perspective view of a segment of the dentifrice of my design;

FIG. 2 is a side elevation view thereof.

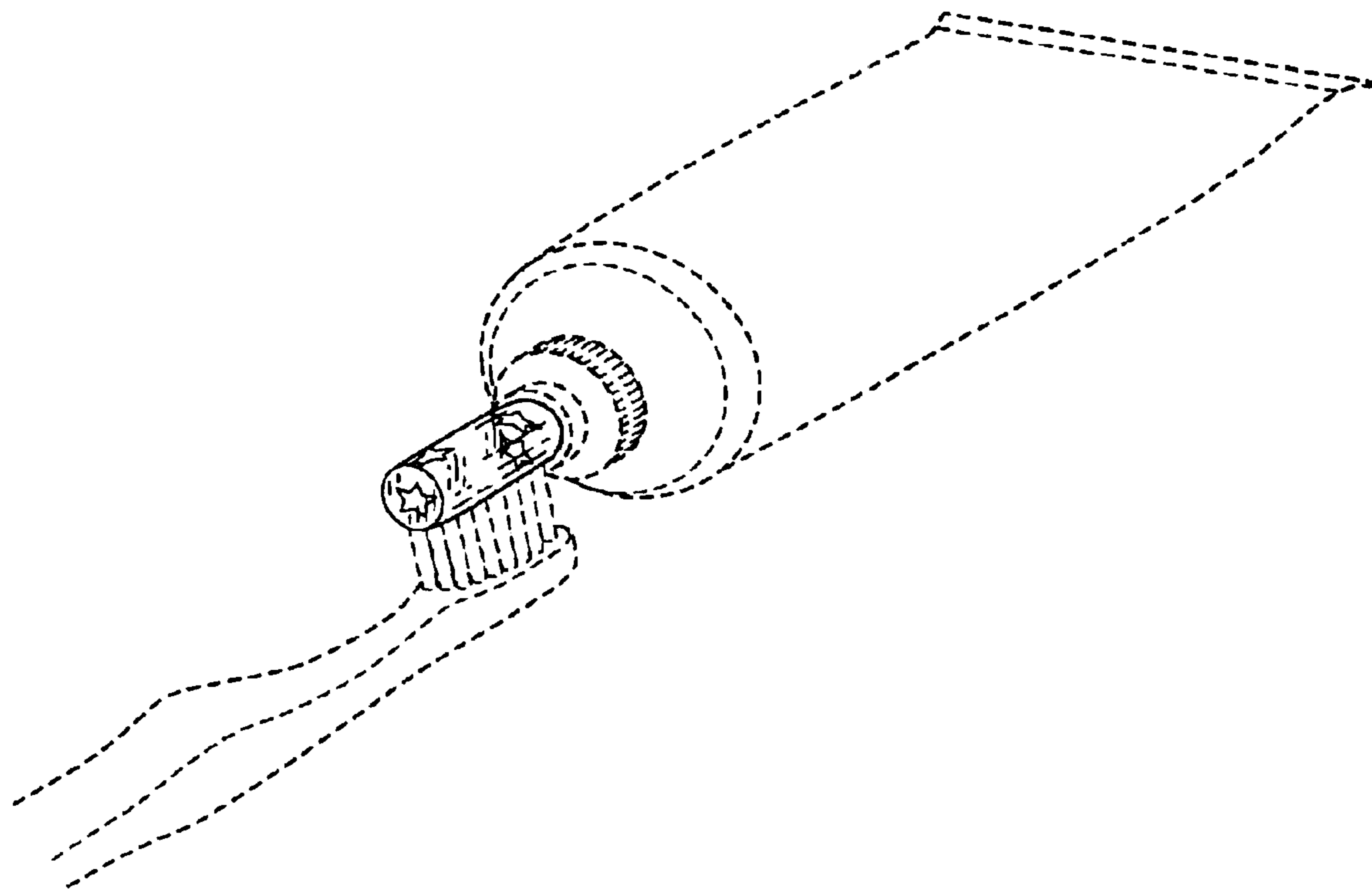
FIG. 3 is an end elevation view thereof; and,

FIG. 4 is a top plan view thereof.

The broken line showing of a toothbrush and a tube are for illustrative purposes only and form no part of the claimed design.

The dentifrice is at least partially transparent with suspended star shaped pieces.

1 Claim, 1 Drawing Sheet



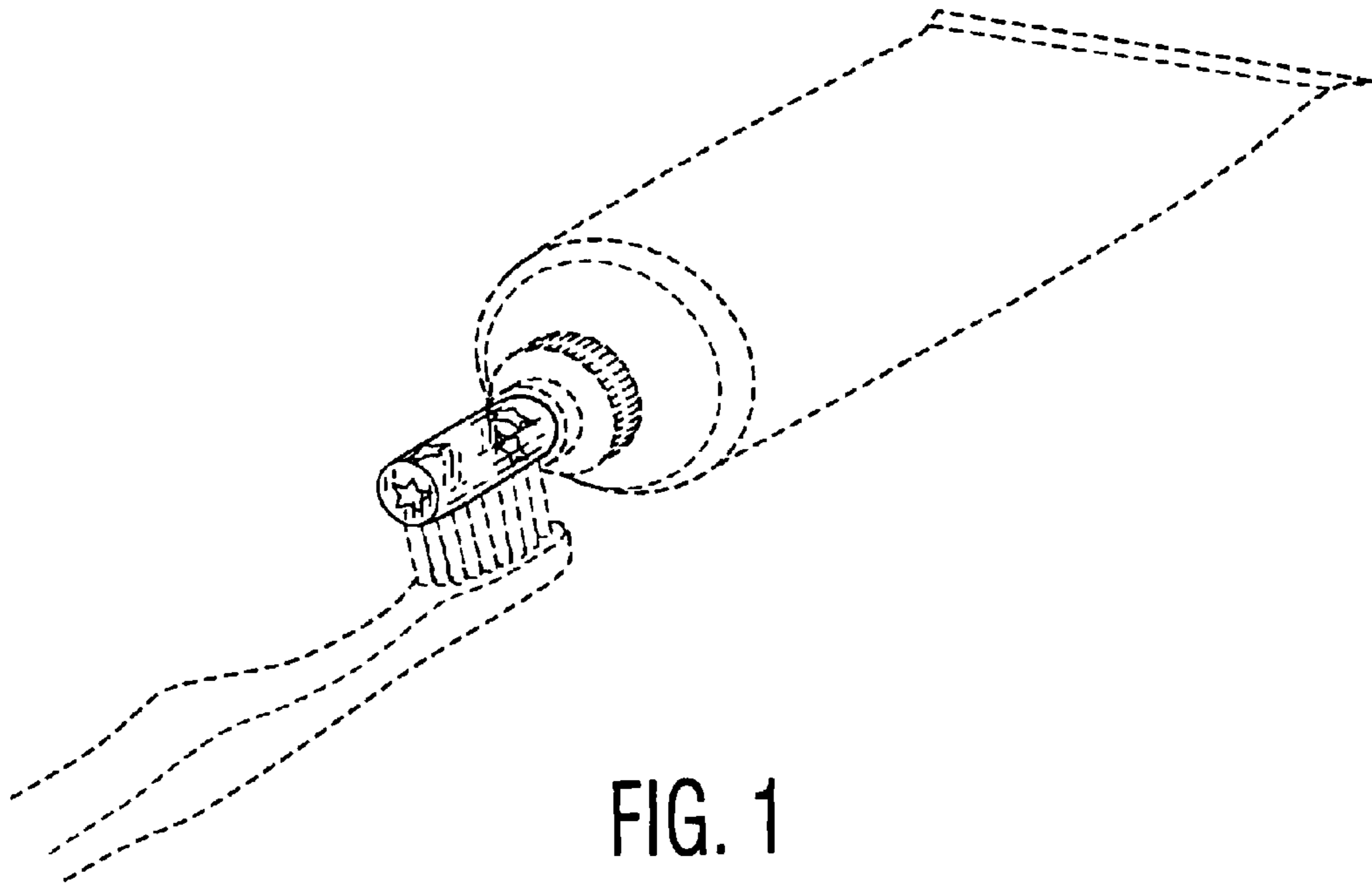


FIG. 1

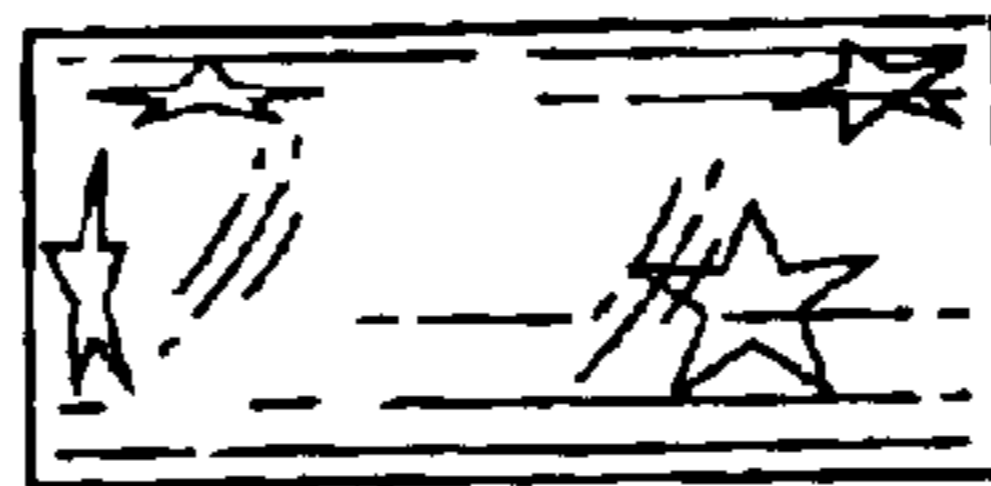


FIG. 2



FIG. 3

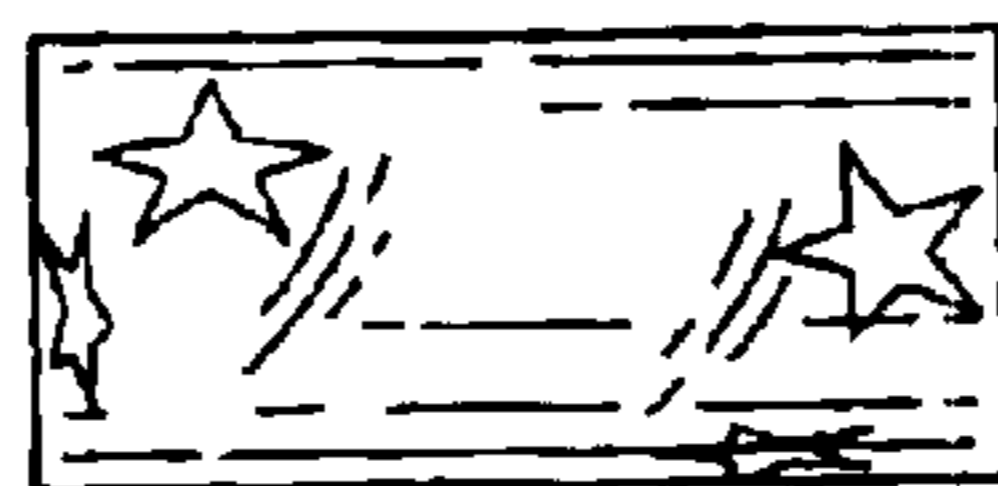


FIG. 4