

US00D497685S1

(12) **United States Design Patent**
Boyd

(10) **Patent No.:** **US D497,685 S**
(45) **Date of Patent:** **** Oct. 26, 2004**

- (54) **DENTIFRICE**
- (75) **Inventor:** **Thomas J. Boyd, Somerset, NJ (US)**
- (73) **Assignee:** **Colgate-Palmolive Company, New York, NY (US)**
- (**) **Term:** **14 Years**
- (21) **Appl. No.:** **29/190,636**
- (22) **Filed:** **Sep. 25, 2003**
- (51) **LOC (7) Cl.** **28-02**
- (52) **U.S. Cl.** **D28/4; D28/8.1**
- (58) **Field of Search** **D28/4, 8.1, 88, D28/90; 424/49, 50, 52, 53, 54, 58; D1/112, 130**

- 5,993,784 A * 11/1999 Hill 424/49
- D420,463 S 2/2000 Mandadi et al. D28/4
- 6,126,923 A * 10/2000 Burke et al. 424/49
- 6,139,820 A * 10/2000 Fischer et al. 424/52
- 6,592,852 B1 * 7/2003 Ryles et al. 424/49

* cited by examiner

Primary Examiner—Jennifer Rivard
(74) *Attorney, Agent, or Firm*—Clifford E. Wilkins; Michael J. McGreal

(57) **CLAIM**

The ornamental design for a dentifrice, as shown and described.

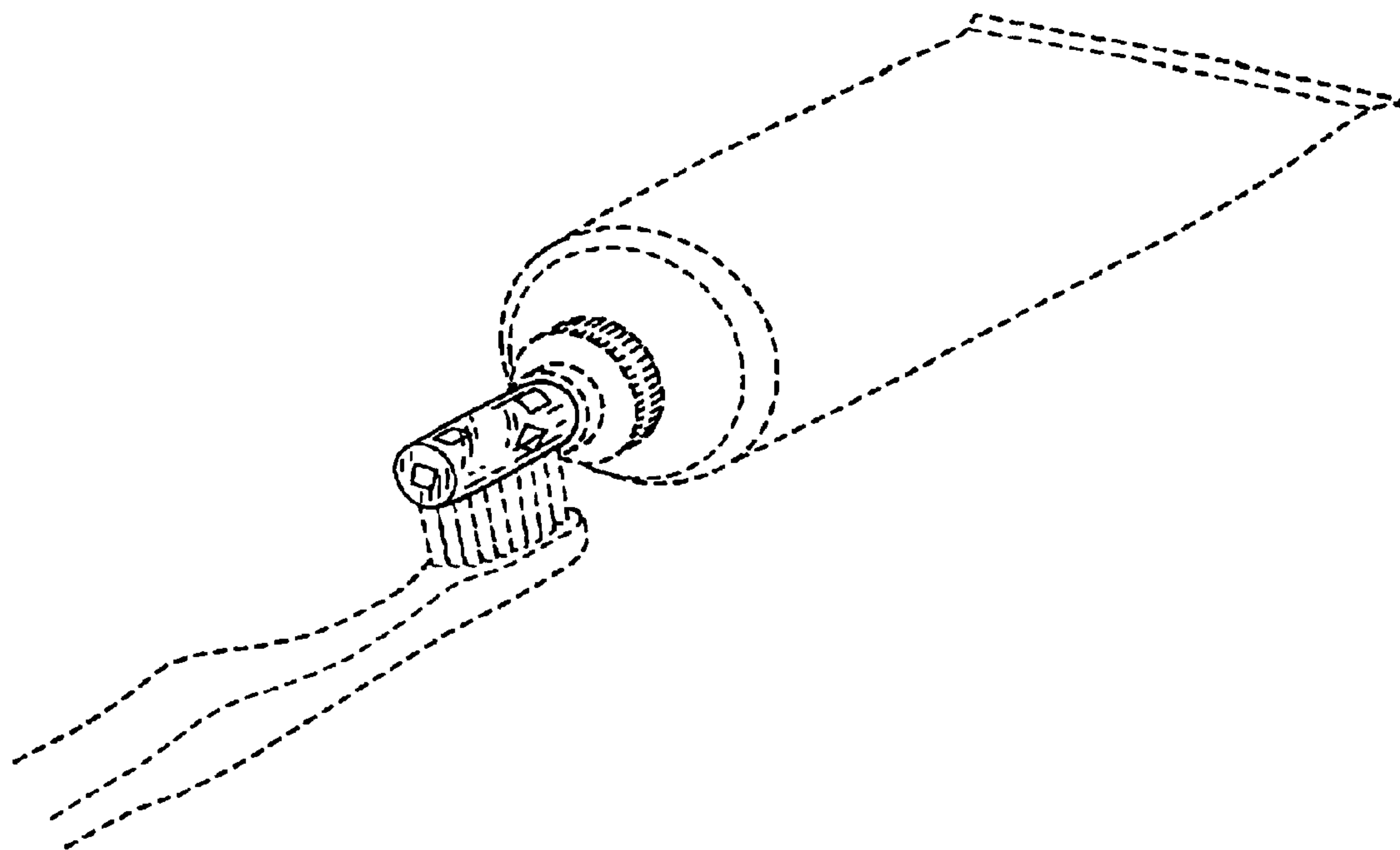
DESCRIPTION

FIG. 1 is a perspective view of a segment if the dentifrice of my design;
FIG. 2 is a side elevation view thereof;
FIG. 3 is a end elevation view thereof; and,
FIG. 4 is a top plan view thereof.
The broken line showing of a toothbrush and tube are for illustrative purposes only and form no part of the claimed design.
The dentifrice is at least partially transparent with suspended quadrangular shaped pieces.

1 Claim, 1 Drawing Sheet

(56) **References Cited**
U.S. PATENT DOCUMENTS

- 3,944,661 A 3/1976 Colodney et al. 424/49
- 4,003,971 A 1/1977 Mannara 264/9
- 4,069,311 A 1/1978 Mannara 424/49
- 4,069,312 A 1/1978 Mannara 424/49
- D277,611 S * 2/1985 Sanabria D28/8.1
- 4,663,152 A * 5/1987 Barth et al. 424/49
- 4,849,212 A 7/1989 Glandorf et al. 424/52
- D304,382 S * 10/1989 Mohrle D28/8.1



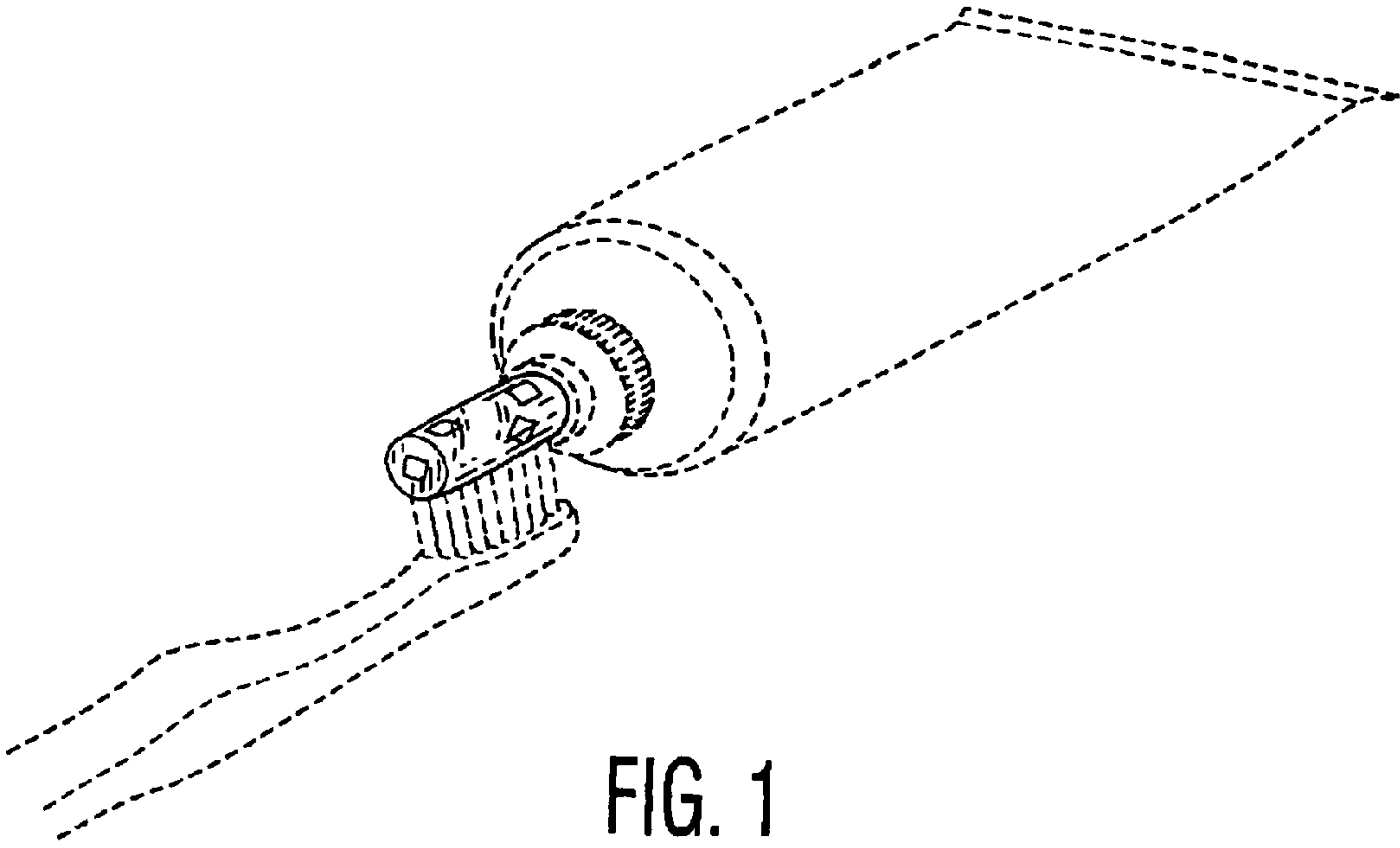


FIG. 1

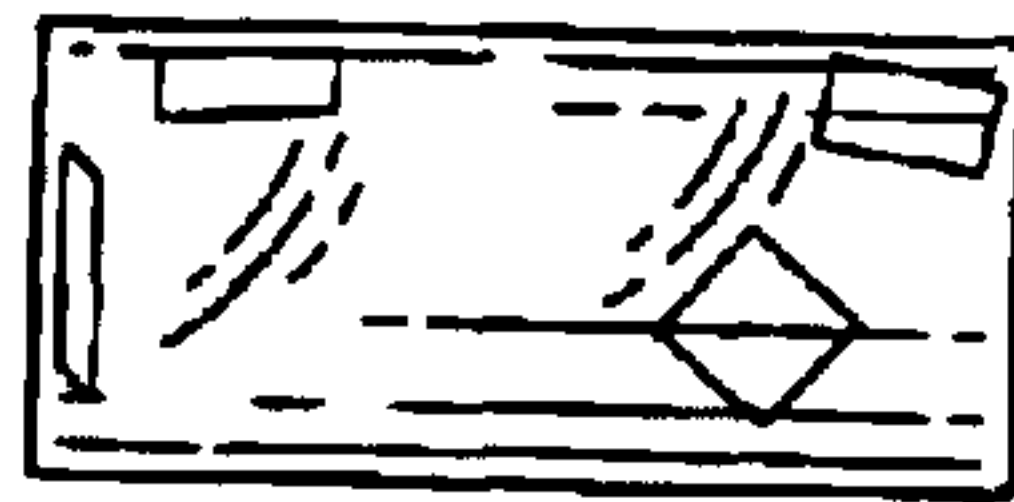


FIG. 2



FIG. 3

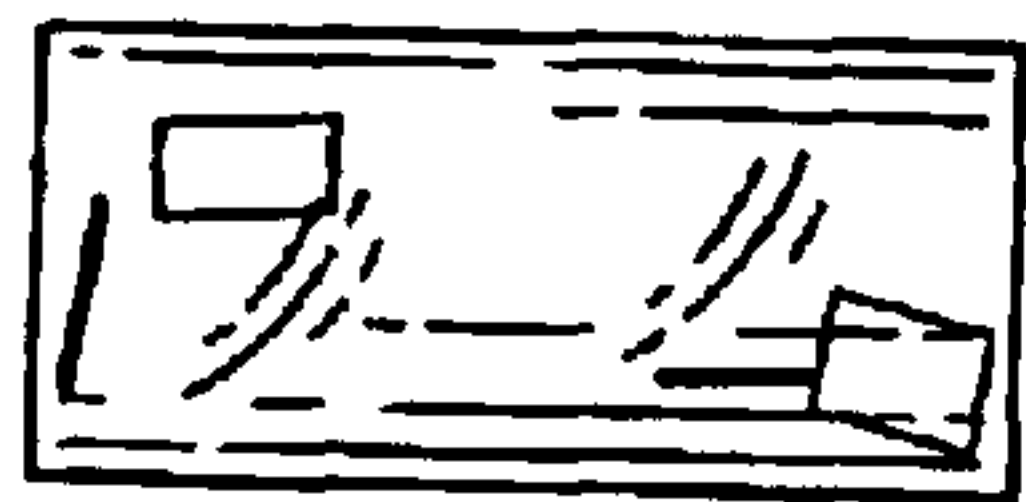


FIG. 4