

US00D497684S1

(12) **United States Design Patent**
Hon et al.

(10) **Patent No.: US D497,684 S**
(45) **Date of Patent: ** Oct. 26, 2004**

- (54) **SOLAR POWERED OUTDOOR LIGHT**
- (75) Inventors: **Siu Cheong Hon**, Tseung Kwan O (HK); **Gary Mazurek**, Plano, TX (US)
- (73) Assignee: **The Brinkman Corporation**, Dallas, TX (US)
- (**) Term: **14 Years**
- (21) Appl. No.: **29/192,539**
- (22) Filed: **Oct. 24, 2003**

D445,937 S	*	7/2001	Sanoner	D26/68
D455,514 S		4/2002	Cheong	D26/68
D461,921 S		8/2002	Ellis	D26/67
D463,606 S	*	9/2002	Orozco	D26/87

OTHER PUBLICATIONS

Thomas Lighting 1996 Catalog p. 189; item M5618-62 on bottom right of page.*
 Thomas Lighting 1996 Catalog p. 199; item #SL 9086-62.*
 Home Lighting & Accessories Catalog, Jun. 1997, p. 143.
 Five pages from various lighting catalogs/brochures, title and date unknown.

* cited by examiner

Primary Examiner—Clare E Heflin

(74) *Attorney, Agent, or Firm*—Sheppard, Mullin Richter & Hampton LLP

Related U.S. Application Data

- (63) Continuation of application No. 29/176,297, filed on Feb. 19, 2003, now abandoned.
- (51) **LOC (7) Cl.** **26-05**
- (52) **U.S. Cl.** **D26/67**
- (58) **Field of Search** D26/67-72, 113, D26/118, 128, 129; 362/147, 363, 367, 368, 432, 404-408

(57) **CLAIM**

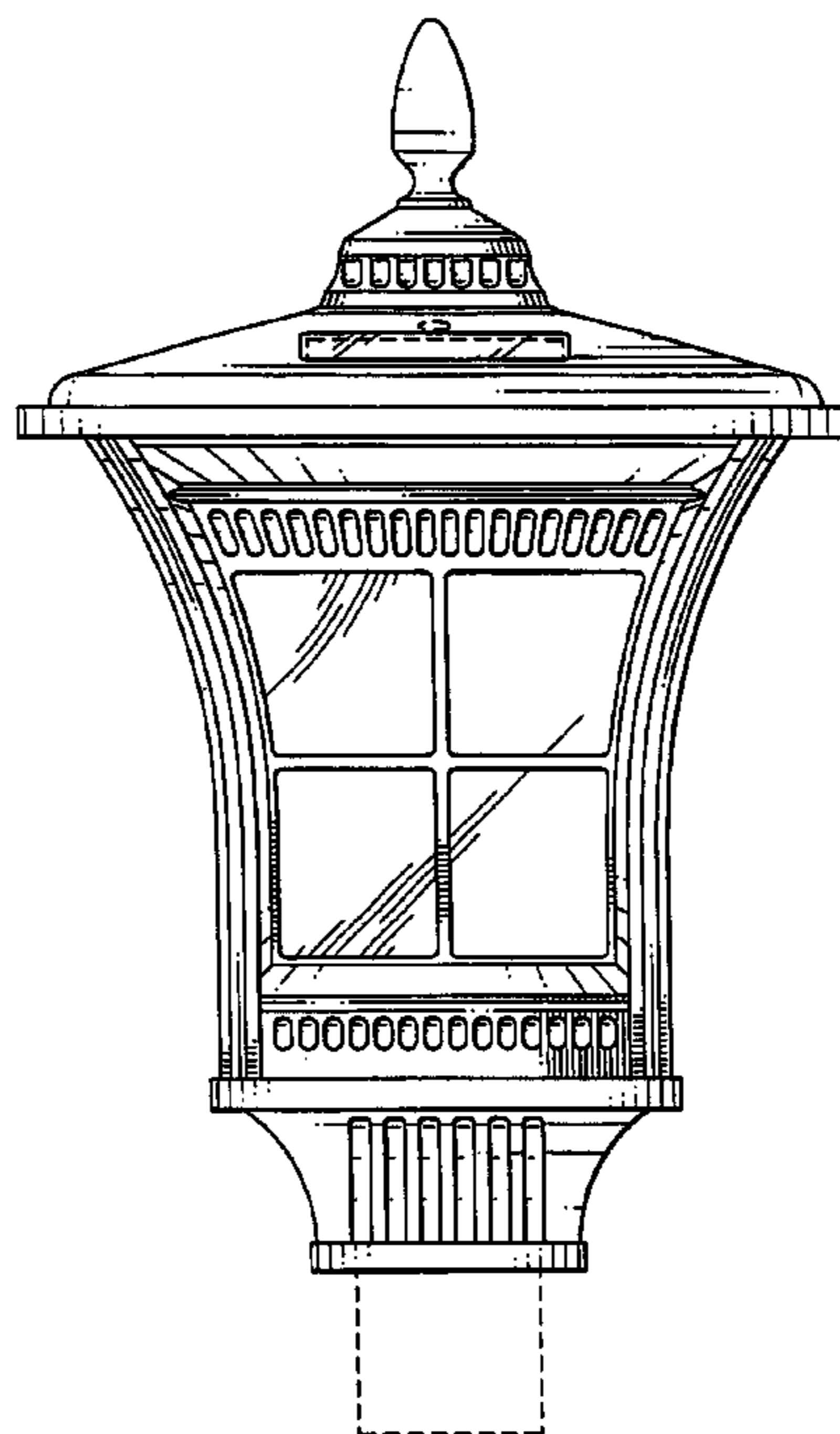
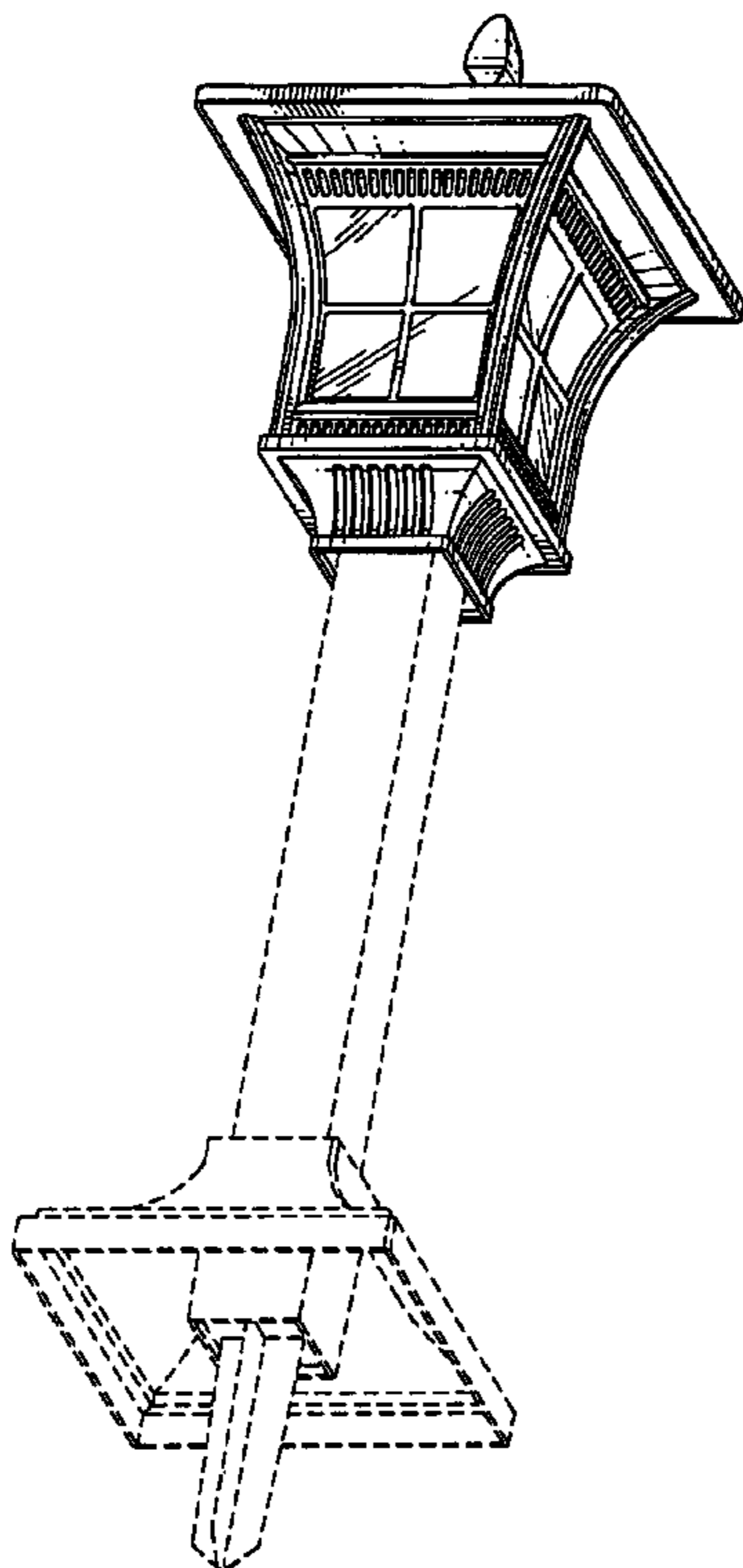
We claim the ornamental design for a solar powered outdoor light, as shown and described.

DESCRIPTION

FIG. 1 is a perspective view of a solar powered outdoor light showing the new design;
 FIG. 2 is a front elevational view thereof;
 FIG. 3 is a rear elevational view thereof, the right and left side elevational views being identical images thereof;
 FIG. 4 is a top plan view thereof; and,
 FIG. 5 is a bottom plan view thereof.
 The dotted lines are for illustrative purposes only and form no part of the claimed design.

- (56) **References Cited**
- U.S. PATENT DOCUMENTS**
- D215,961 S * 11/1969 Daum D26/67
- D309,796 S 8/1990 Koziol D26/87
- D333,189 S 2/1993 Hall et al. D26/67
- D383,865 S 9/1997 Heiberg et al. D26/67
- D387,458 S 12/1997 Ruggles et al. D26/67
- D420,459 S 2/2000 Meck et al. D26/87
- D421,504 S 3/2000 Meck et al. D26/67
- D427,352 S 6/2000 Miranda D26/72

1 Claim, 5 Drawing Sheets



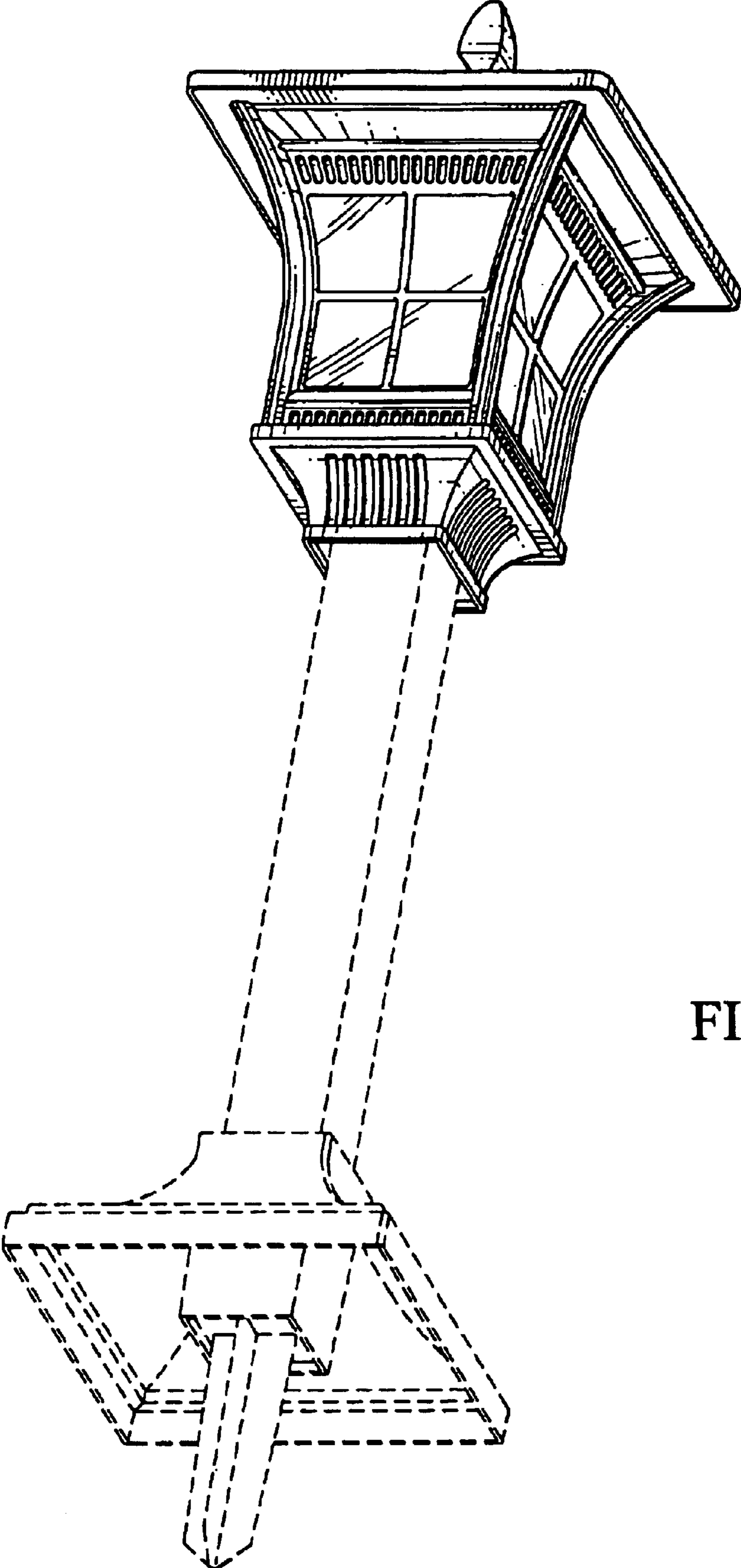


FIG. 1

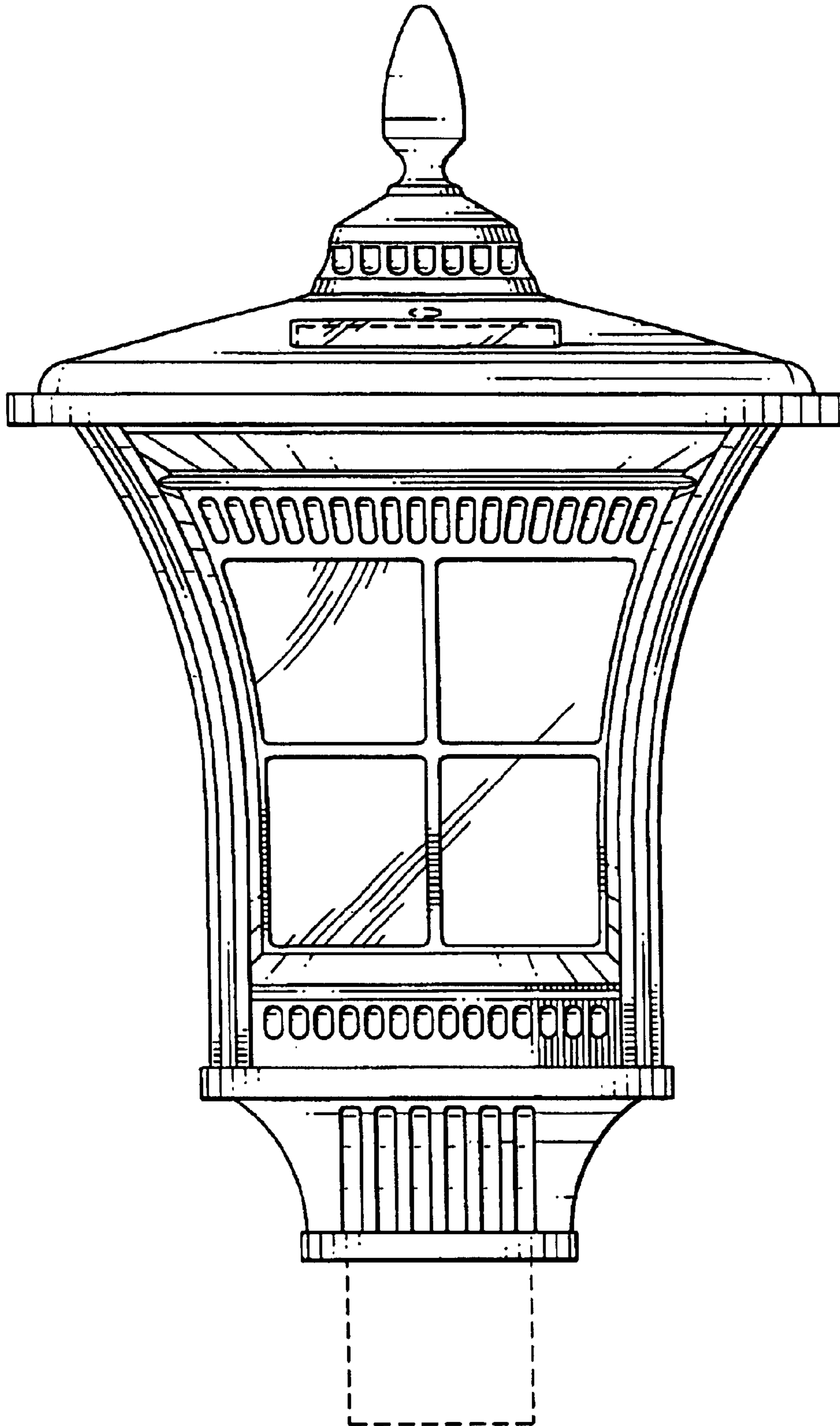


FIG. 2

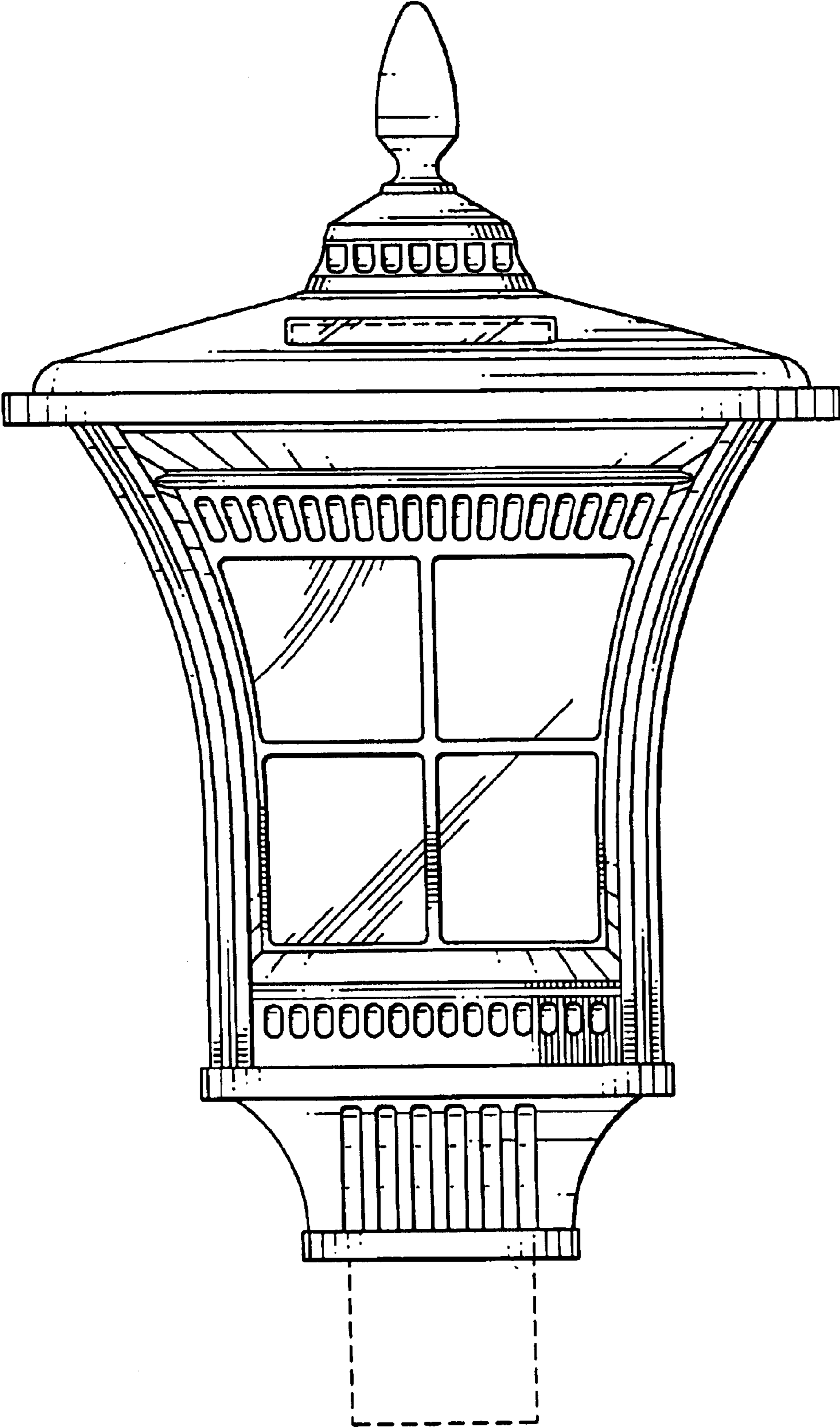


FIG. 3

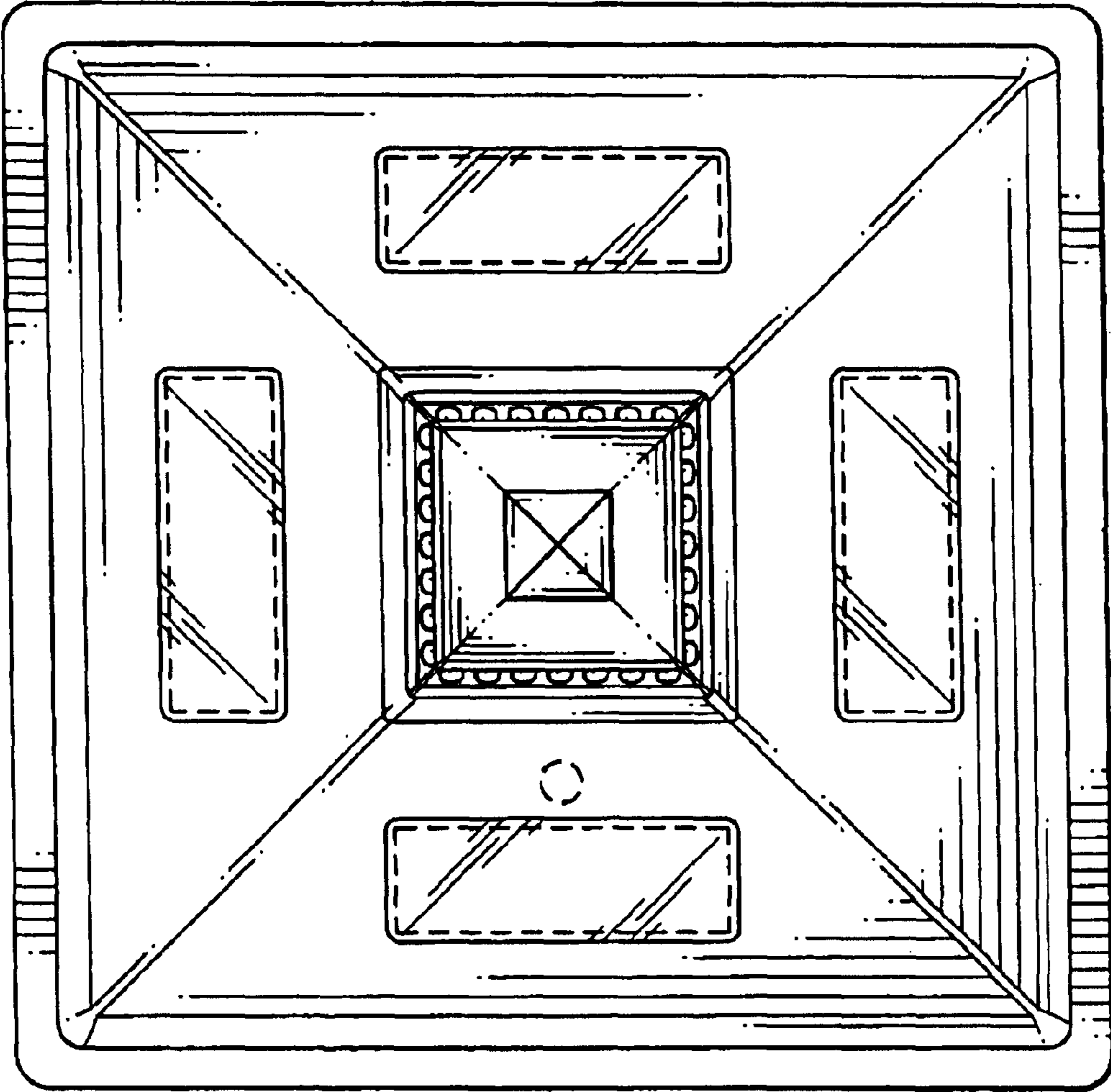


FIG. 4

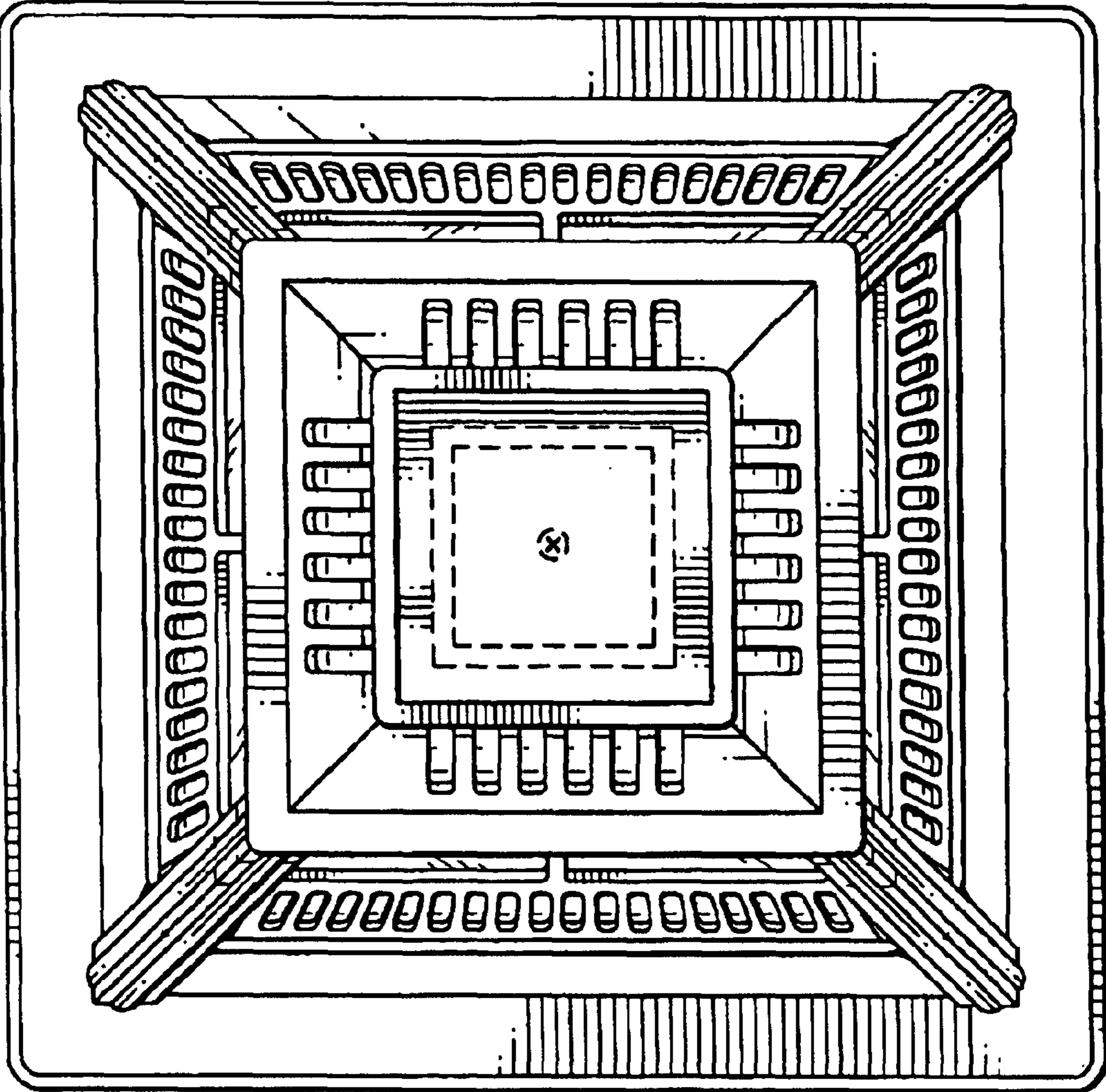


FIG. 5