

US00D497683S1

(12) **United States Design Patent**
Cooper

(10) **Patent No.:** **US D497,683 S**
(45) **Date of Patent:** **** Oct. 26, 2004**

(54) **CAP MOUNTED HEADLIGHT WITH
REMOTE BATTERY PACK**

6,623,141 B2 9/2003 Lehrer
D482,472 S * 11/2003 Shiu D26/39

(75) Inventor: **Ira Jeffrey Cooper**, Lexington, KY
(US)

* cited by examiner

Primary Examiner—Marcus A. Jackson
(74) *Attorney, Agent, or Firm*—King & Schickli, PLLC

(73) Assignee: **Q-Lighting, Inc.**, Lexington, KY (US)

(**) Term: **14 Years**

(57) **CLAIM**

The ornamental design of a cap mounted headlight with remote battery pack, as shown and described.

(21) Appl. No.: **29/202,450**

(22) Filed: **Mar. 31, 2004**

DESCRIPTION

(51) **LOC (7) Cl.** **26-02**

FIG. 1 is a perspective view of the cap mounted headlight with remote battery pack of the present invention, with the wire broken away in the center to indicate indeterminate length;

(52) **U.S. Cl.** **D26/39**

FIG. 2 is a front view thereof;

(58) **Field of Search** D26/37-50; 362/157,
362/158, 171-174, 183-208

FIG. 3 is a side view thereof, the opposite side view being substantially the same as a mirror image thereof;

(56) **References Cited**

U.S. PATENT DOCUMENTS

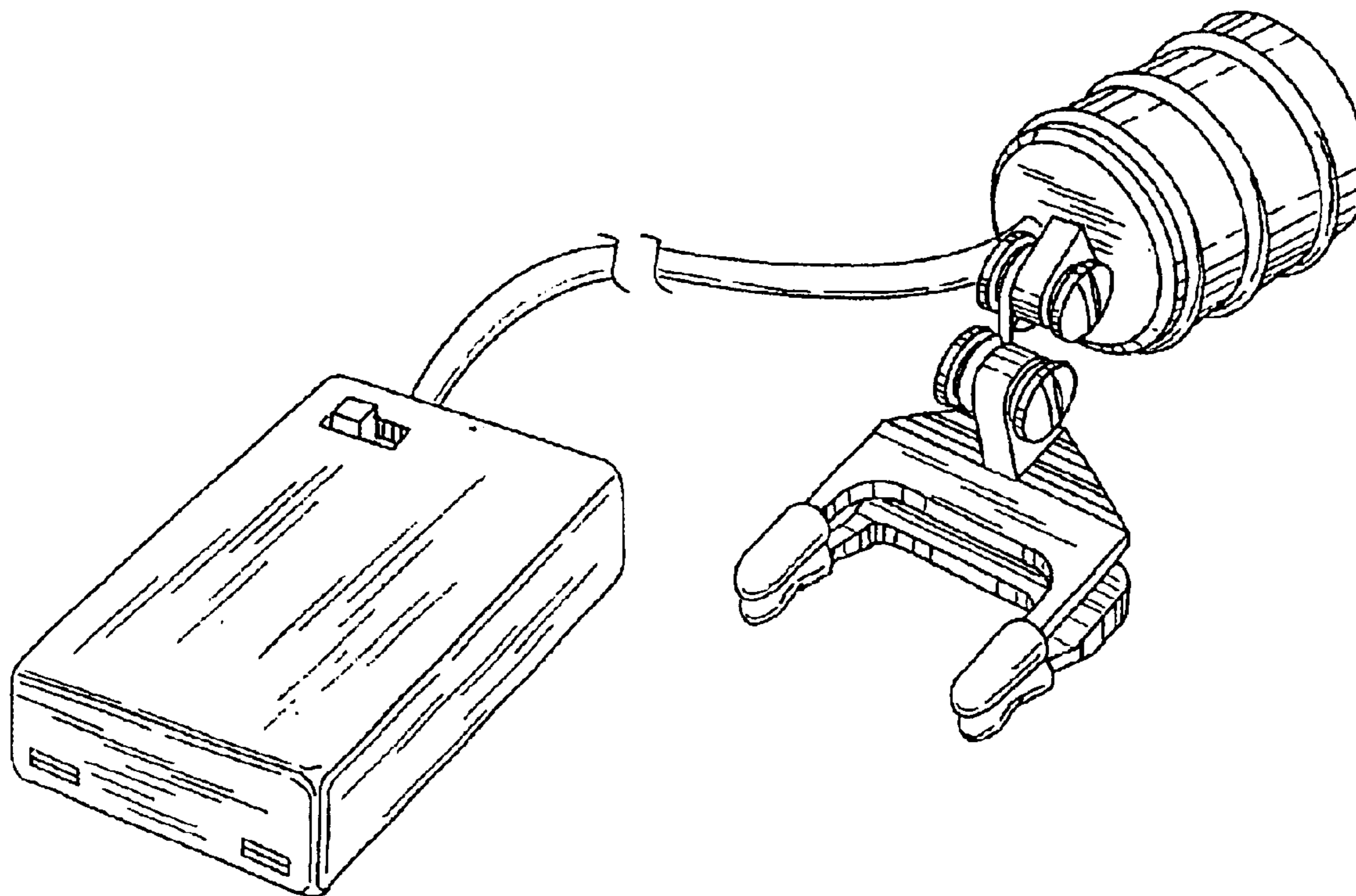
- D368,316 S * 3/1996 Jansson D26/39
- D390,989 S 2/1998 Zeller
- 5,722,762 A 3/1998 Soll
- D447,586 S * 9/2001 Shing D26/39

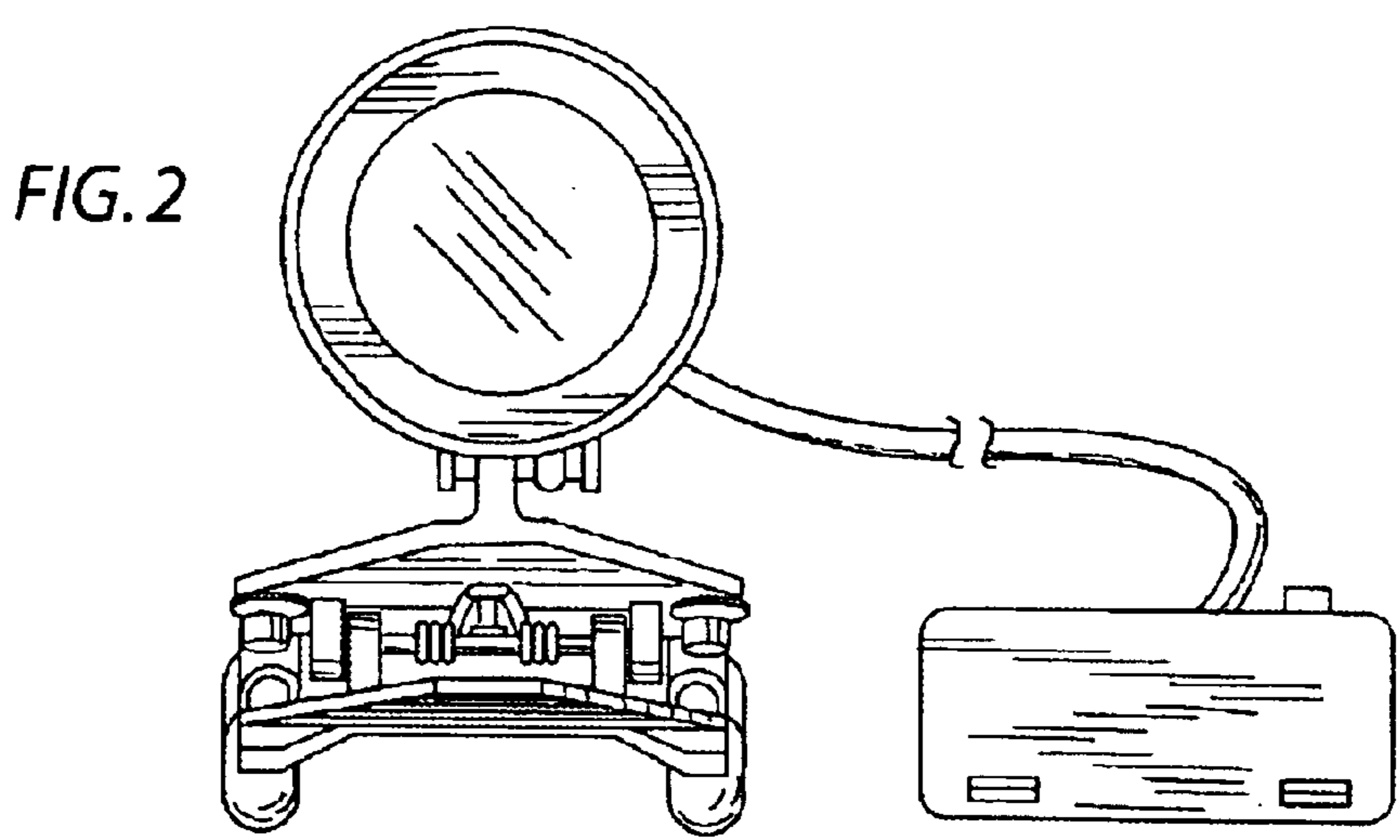
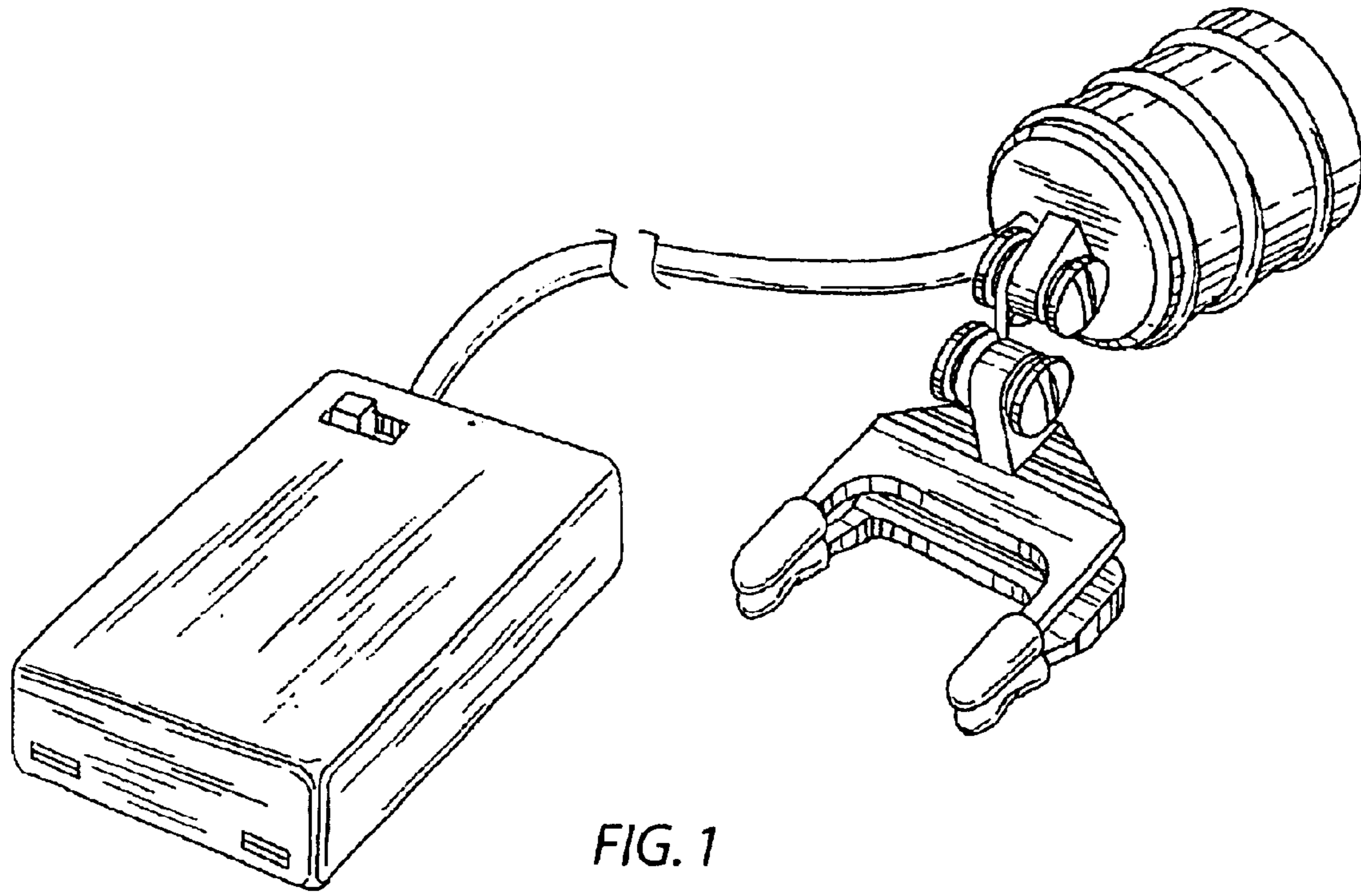
FIG. 4 is a rear view thereof;

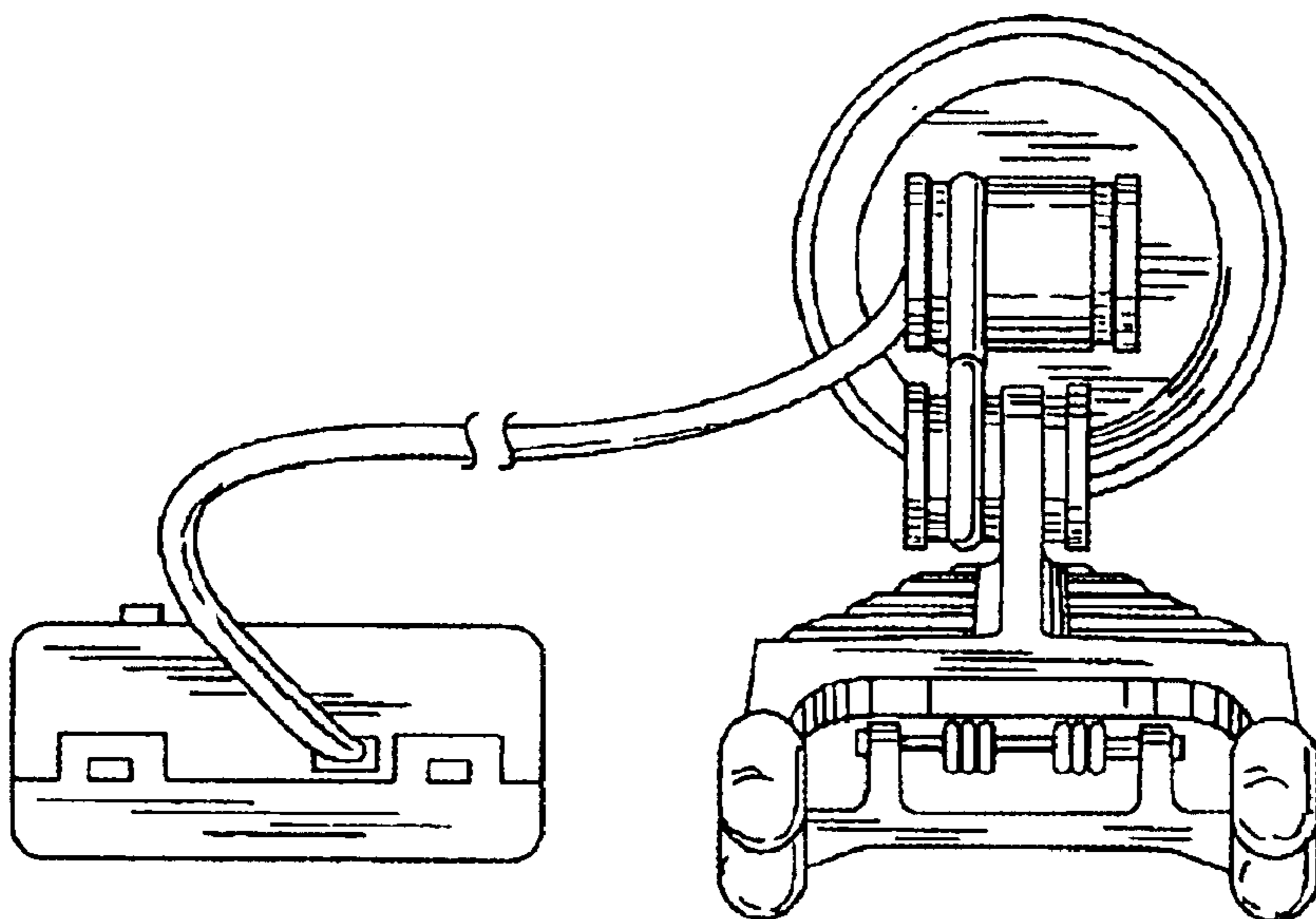
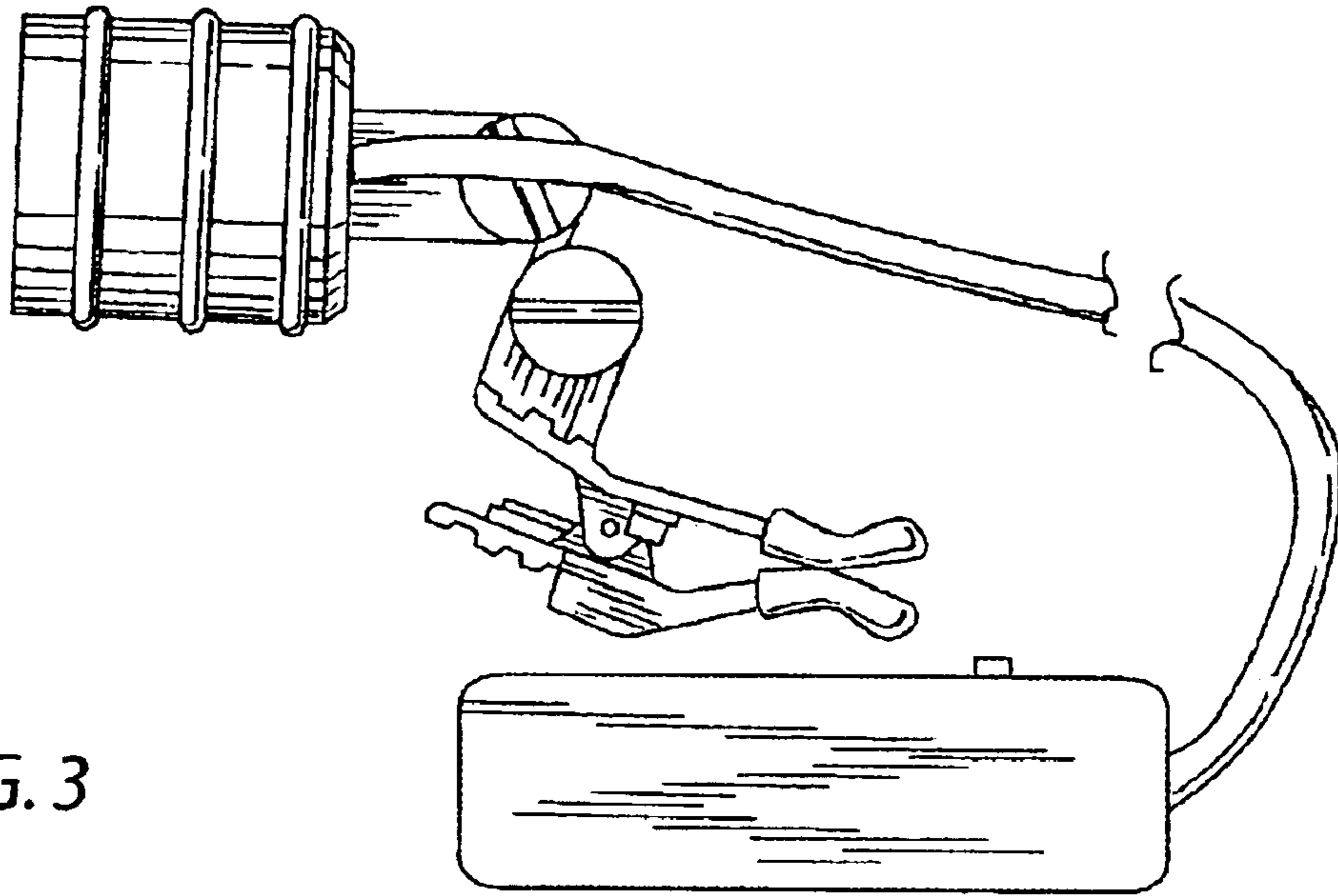
FIG. 5 is a top view thereof; and,

FIG. 6 is a bottom view thereof.

1 Claim, 3 Drawing Sheets







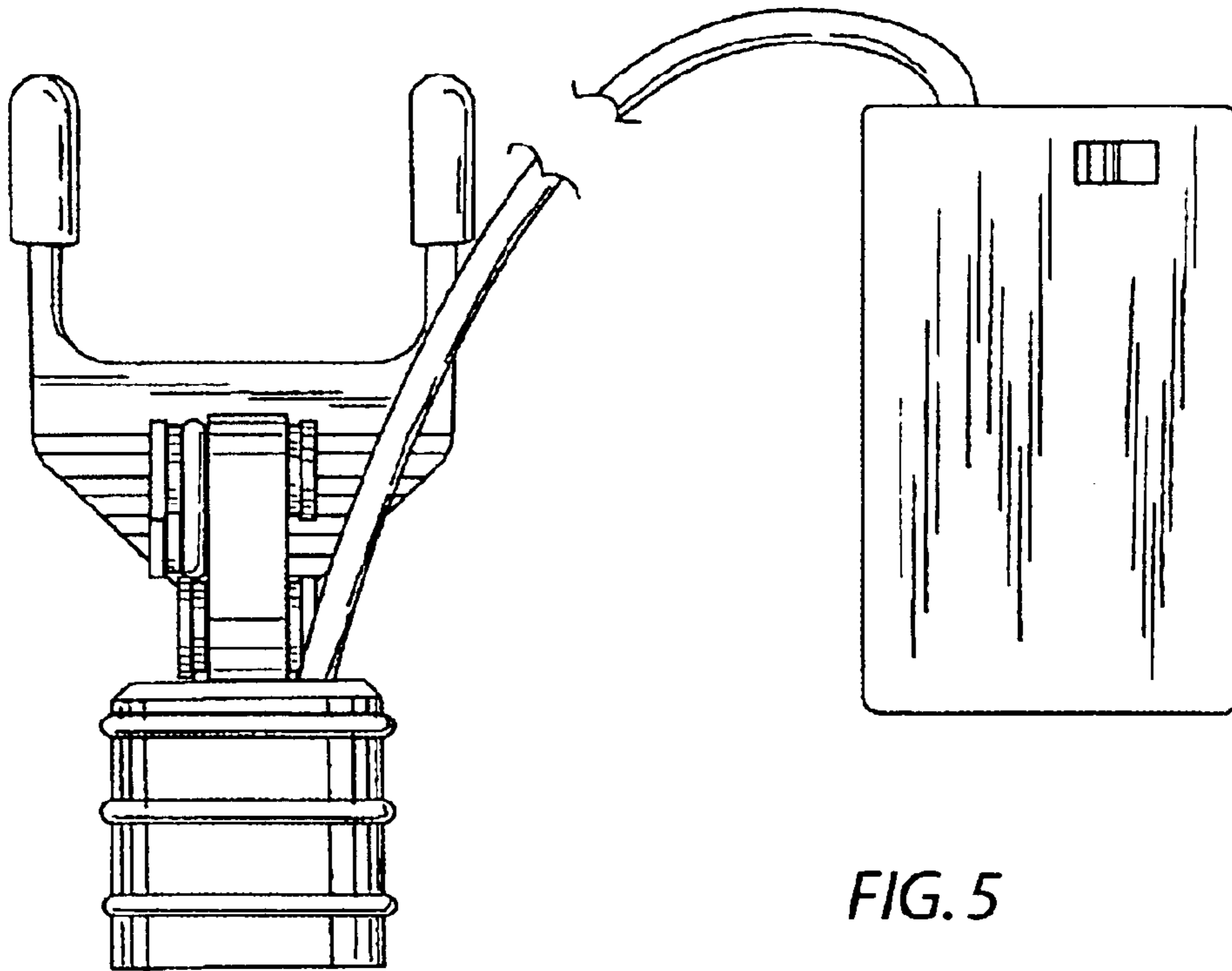


FIG. 5

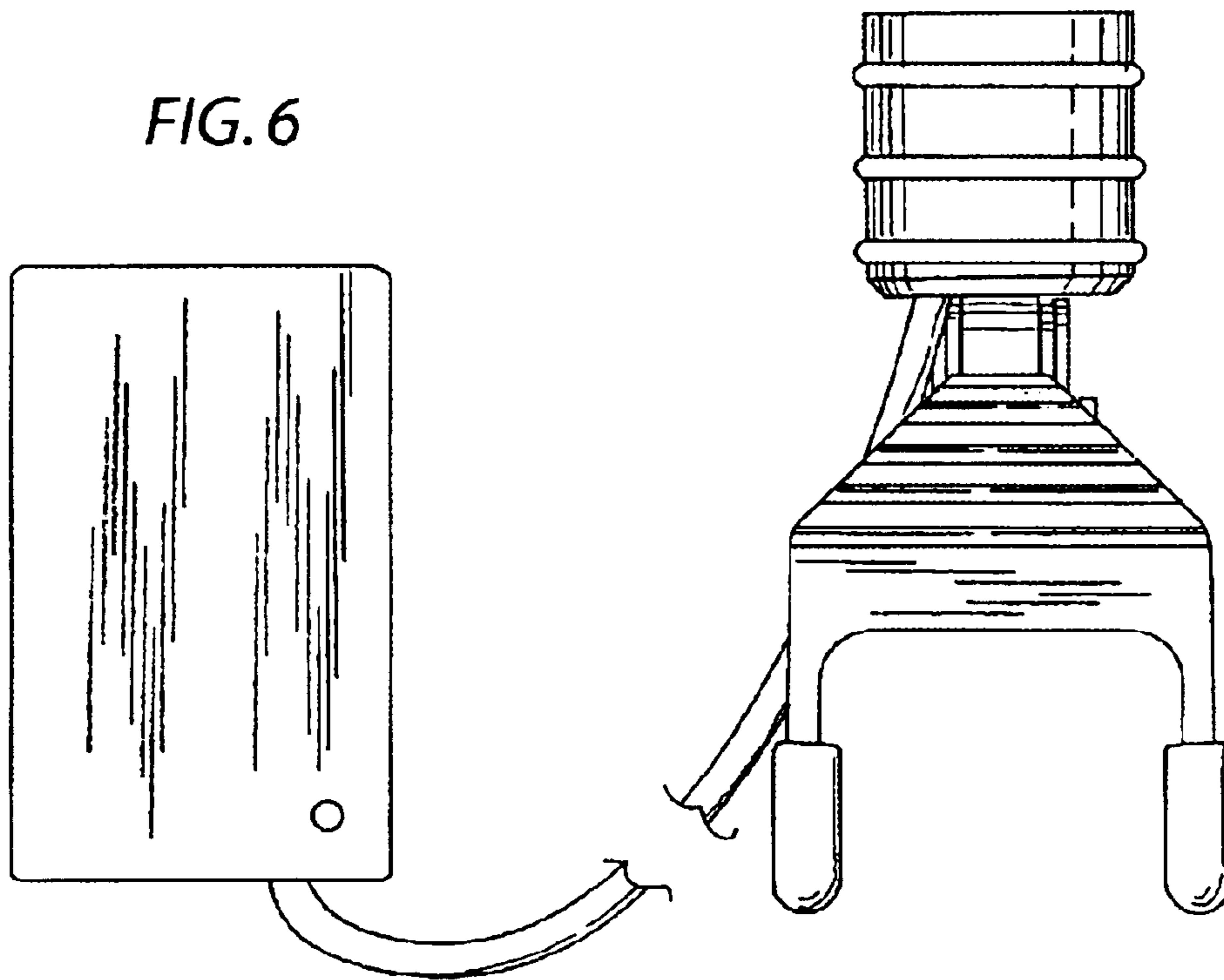


FIG. 6