

US00D497682S1

(12) **United States Design Patent**  
**Lin**

(10) **Patent No.:** **US D497,682 S**  
(45) **Date of Patent:** **\*\* Oct. 26, 2004**

(54) **EXTERIOR SURFACE CONFIGURATION OF  
A VEHICLE FRONT LIGHT**

*Primary Examiner*—Marcus A. Jackson  
(74) *Attorney, Agent, or Firm*—Rosenberg, Klein & Lee

(76) **Inventor:** **Yu-Chu Lin**, No. 477, Chung Shan N.  
Rd., Yung Kang, Tainan Hsien (TW)

(57) **CLAIM**

The ornamental design for an exterior surface configuration  
of a vehicle front light, as shown and described.

(\*\*) **Term:** **14 Years**

**DESCRIPTION**

(21) **Appl. No.:** **29/204,115**

This design represents one embodiment of a design for an  
exterior surface configuration of a vehicle front light. The  
drawings and descriptions represent the left side embodi-  
ment. The design also contemplates a mirror symmetrical  
embodiment on the right side of the vehicle. The dash line  
included denotes environment and is not part of the claimed  
design.

(22) **Filed:** **Apr. 26, 2004**

(51) **LOC (7) Cl.** ..... **26-06**

(52) **U.S. Cl.** ..... **D26/28**

(58) **Field of Search** ..... D26/28-36; 362/61,  
362/80, 81, 82, 83, 83.4, 267, 269, 275,  
330-340

FIG. 1 is a perspective view from the front left of an exterior  
surface configuration of a vehicle front light showing my  
present design;

(56) **References Cited**

**U.S. PATENT DOCUMENTS**

D476,434 S	*	6/2003	Lin	.....	D26/28
D477,678 S	*	7/2003	Lin	.....	D26/28
D483,504 S	*	12/2003	Maupin et al.	.....	D26/28
D490,917 S	*	6/2004	Lin	.....	D26/28

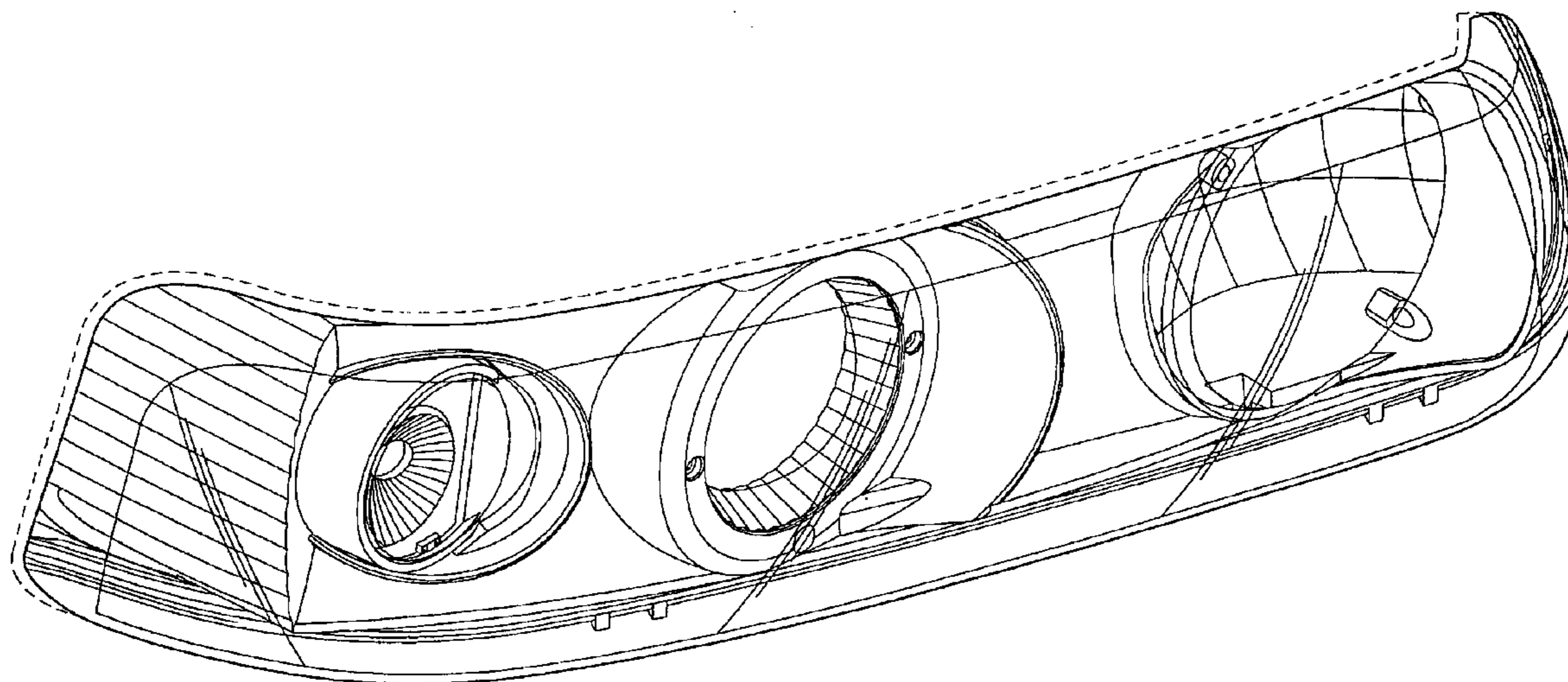
FIG. 2 is a front view thereof;

FIG. 3 is a left view thereof; and,

FIG. 4 is a top view thereof.

\* cited by examiner

**1 Claim, 4 Drawing Sheets**



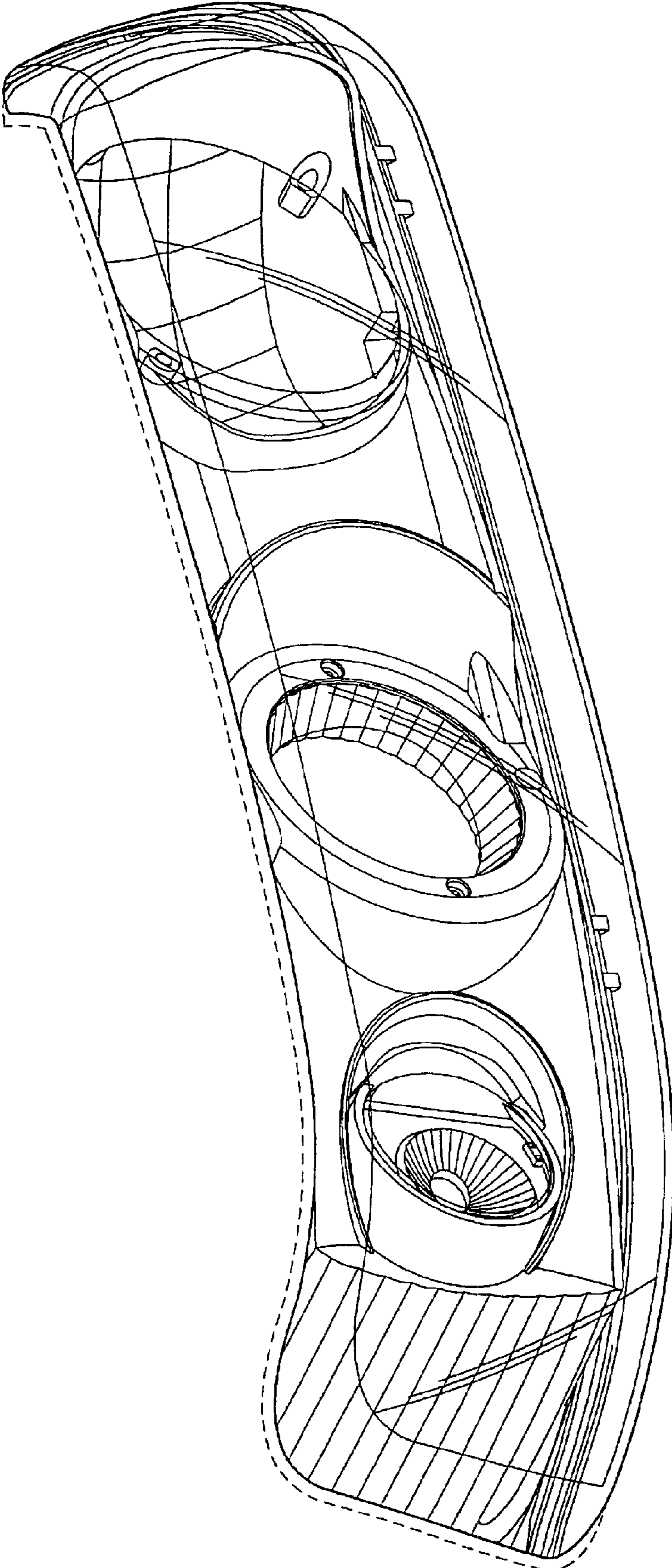


FIG. 1

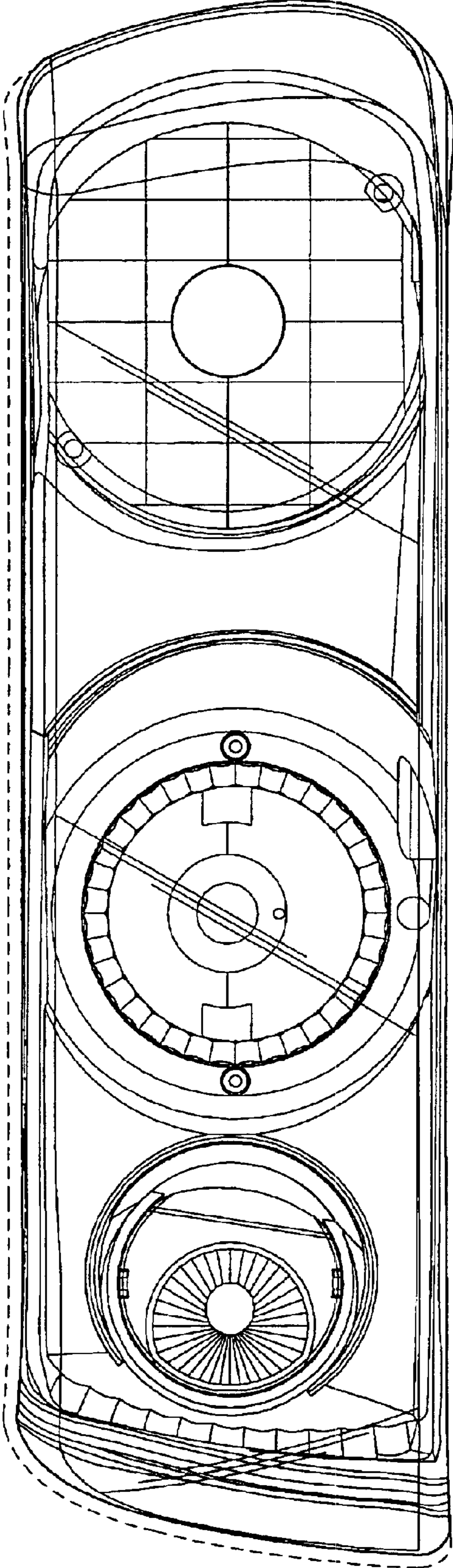


FIG. 2

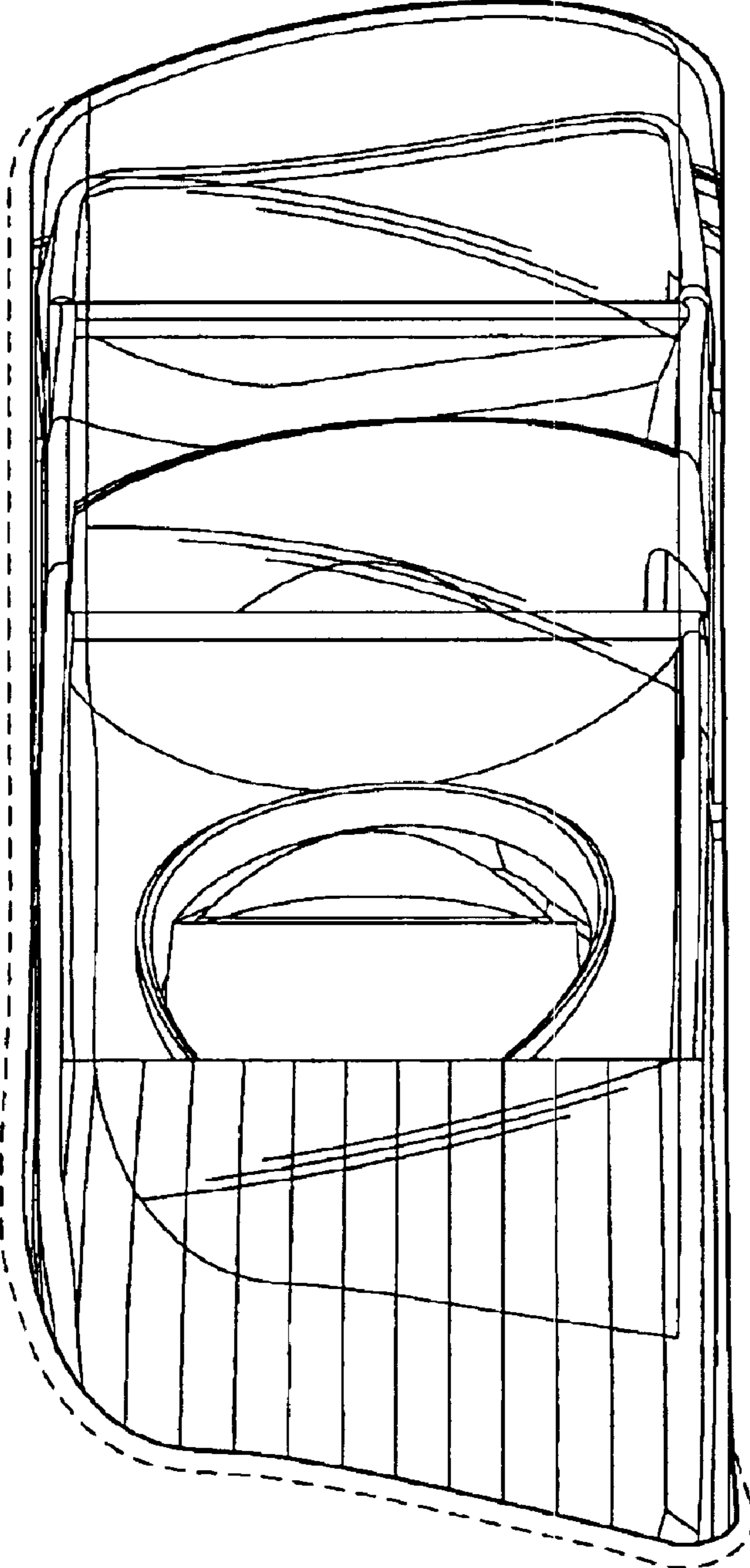


FIG. 3

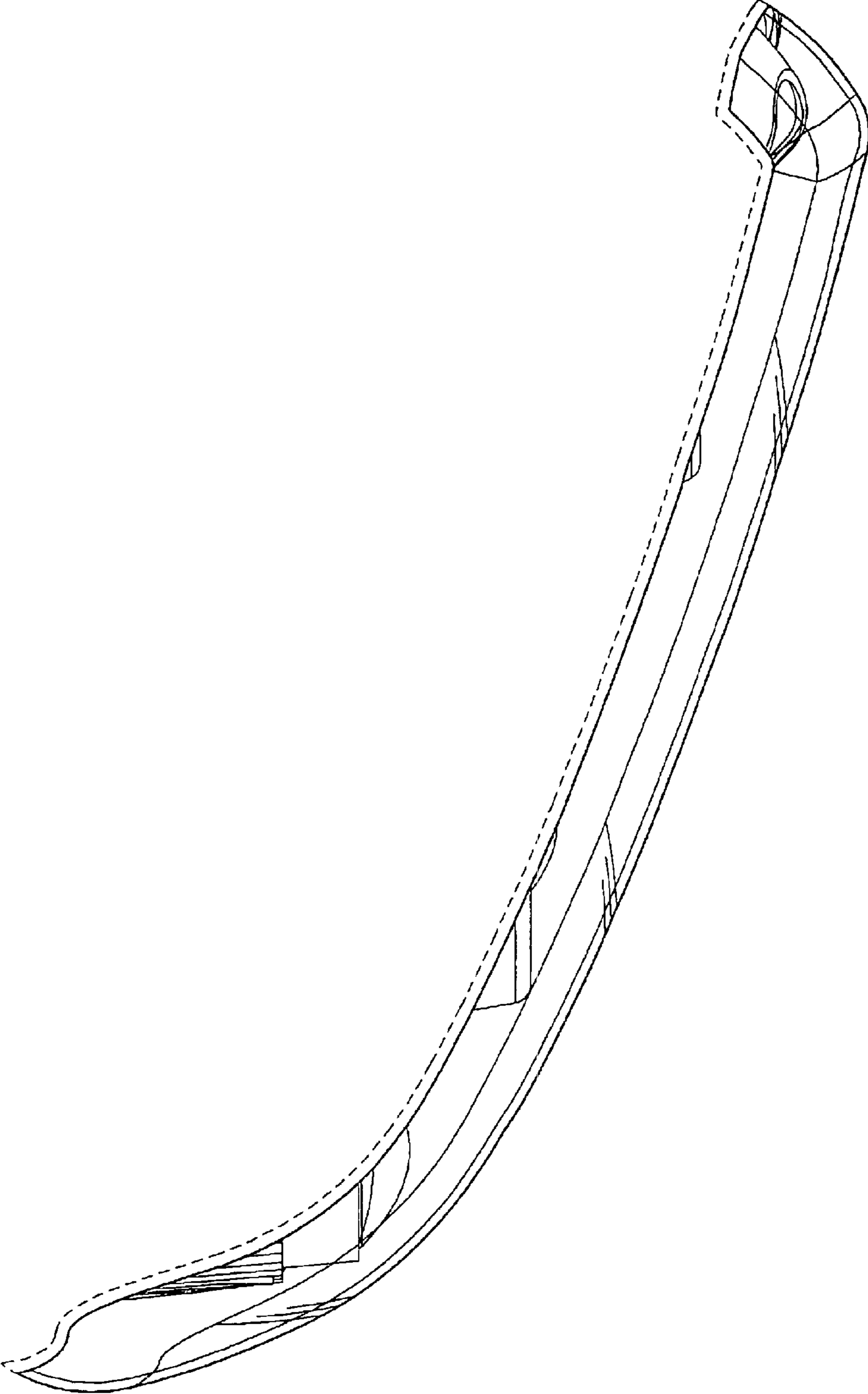


FIG. 4