

US00D497670S1

(12) **United States Design Patent**
Hampson

(10) **Patent No.:** **US D497,670 S**
(45) **Date of Patent:** **** Oct. 26, 2004**

(54) **BARIATRIC GARMENT**

(75) **Inventor:** **David Mark Hampson**, South Glamorgan (GB)

(73) **Assignee:** **Huntleigh Technology, PLC** (GB)

(**) **Term:** **14 Years**

(21) **Appl. No.:** **29/162,934**

(22) **Filed:** **Jun. 24, 2002**

(51) **LOC (7) Cl.** **24-04**

(52) **U.S. Cl.** **D24/169**

(58) **Field of Search** D24/188, 189,
D24/183, 169; 128/889; 601/44, 148, 151,
152; 602/13

(56) **References Cited**

U.S. PATENT DOCUMENTS

4,029,087	A	*	6/1977	Dye et al.	601/152
4,156,425	A	*	5/1979	Arkans	601/152
4,206,751	A	*	6/1980	Schneider	601/152
4,402,312	A	*	9/1983	Villari et al.	601/152
5,496,262	A	*	3/1996	Johnson et al.	601/152

D376,013	S	*	11/1996	Sandman et al.	D24/169
5,626,556	A	*	5/1997	Tobler et al.	601/151
6,645,165	B2	*	11/2003	Waldrige et al.	601/152
2001/0018563	A1	*	8/2001	Waldrige et al.	601/152
2003/0191420	A1	*	10/2003	Kulper et al.	602/13

* cited by examiner

Primary Examiner—Stella Reid

(74) *Attorney, Agent, or Firm*—Brown Raysman Millstein Felder & Steiner

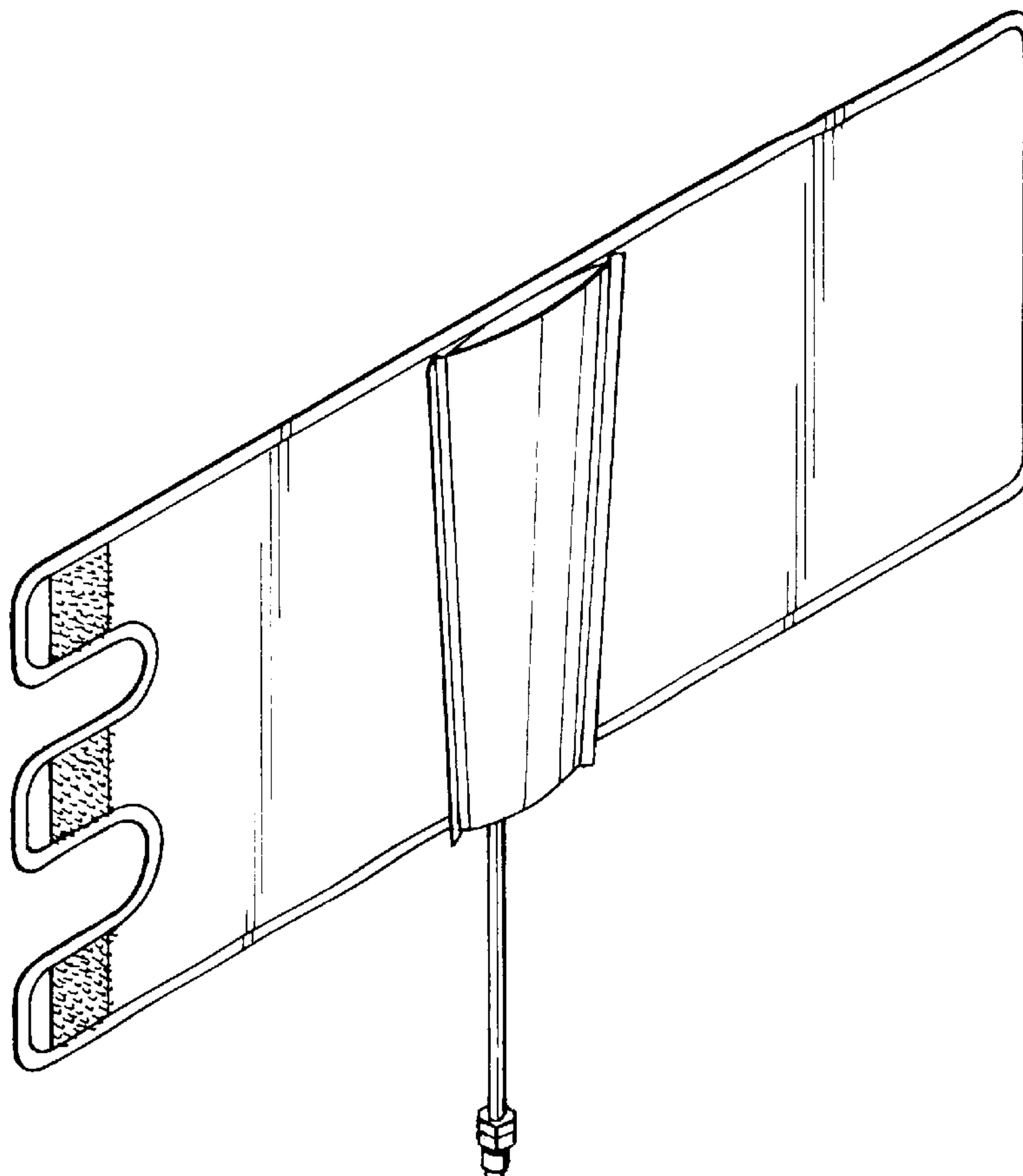
(57) **CLAIM**

I claim the ornamental design for a bariatric garment, as shown and described.

DESCRIPTION

FIG. 1 is a perspective view of a bariatric garment, showing my new design;
FIG. 2 is a bottom view thereof;
FIG. 3 is a top view thereof;
FIG. 4 is a back view thereof;
FIG. 5 is a front view thereof;
FIG. 6 is a right side view thereof; and,
FIG. 7 is a left side view thereof.

1 Claim, 5 Drawing Sheets



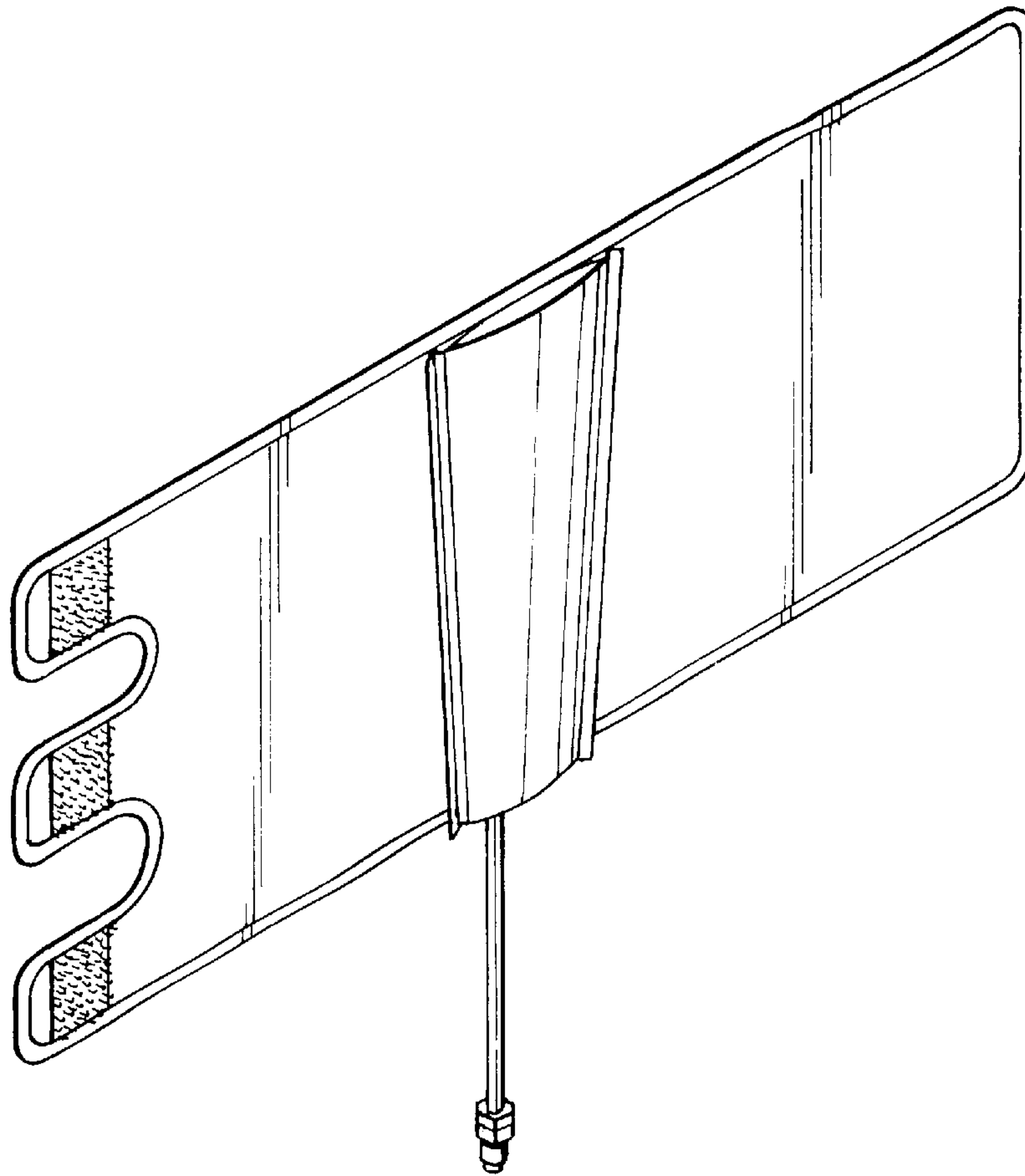


Fig. 1.



Fig. 2.

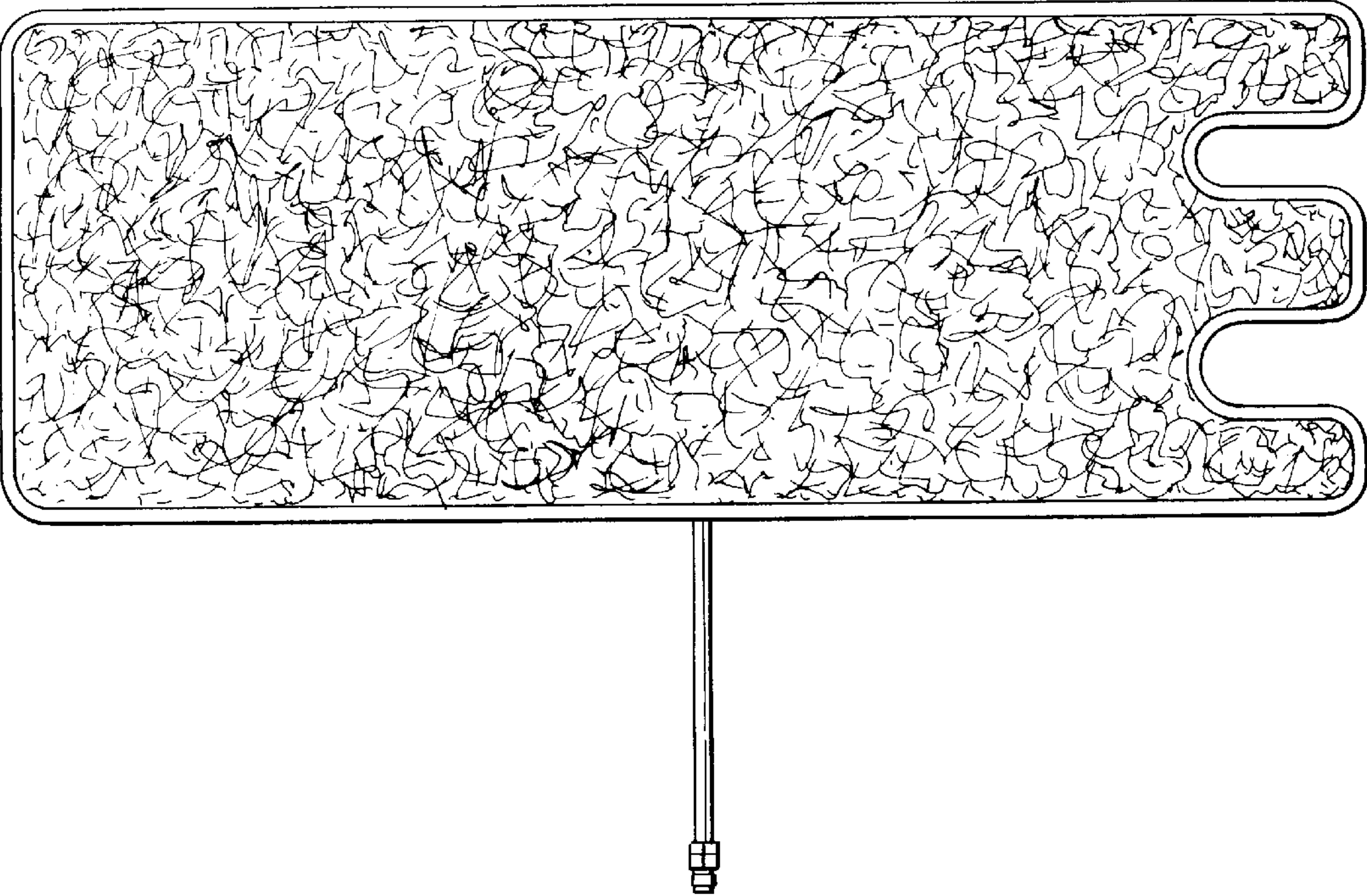


Fig.3.



Fig.4.

FIG. 5

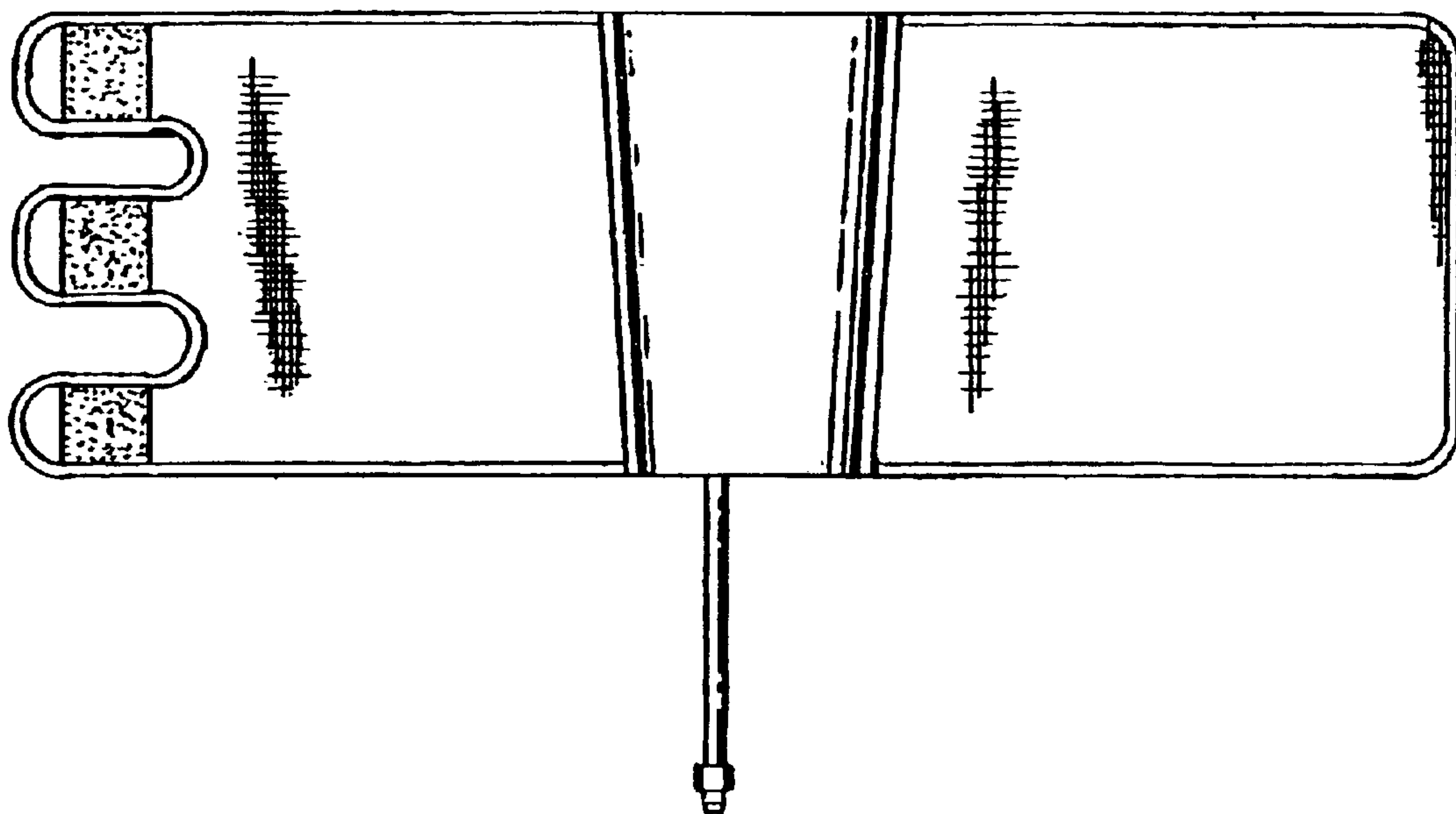




FIG. 6

FIG. 7

