

US00D497668S1

(12) **United States Design Patent**
Bogazzi

(10) **Patent No.:** **US D497,668 S**

(45) **Date of Patent:** **** Oct. 26, 2004**

(54) **INSTRUMENT HANDLE**

(75) **Inventor:** **Marco Bogazzi**, New Haven, CT (US)

(73) **Assignee:** **Tyco Healthcare Group LP**, Norwalk, CT (US)

(**) **Term:** **14 Years**

(21) **Appl. No.:** **29/177,630**

(22) **Filed:** **Mar. 11, 2003**

(51) **LOC (7) Cl.** **24-02**

(52) **U.S. Cl.** **D24/133**; D8/83; D8/107;
D24/143; D24/145; D24/146; D24/147

(58) **Field of Search** D24/145, 133,
D24/146, 147; D8/83, 107, 47, 82, 300,
DIG. 2, 310; 606/1, 170, 185, 144, 140,
142, 148; 81/177.1, 489

(56) **References Cited**

U.S. PATENT DOCUMENTS

- 6,019,776 A * 2/2000 Preissman et al. 606/185
- D467,154 S * 12/2002 Song D8/107
- D467,657 S * 12/2002 Scribner D24/133

- D490,894 S * 6/2004 Bogazzi D24/133
- D490,895 S * 6/2004 Bogazzi D24/133
- D490,896 S * 6/2004 Bogazzi D24/133
- 2003/0120272 A1 * 6/2003 Schneider et al. 606/170
- 2004/0127888 A1 * 7/2004 O'Neil et al. 606/1

* cited by examiner

Primary Examiner—Ian Simmons

(57) **CLAIM**

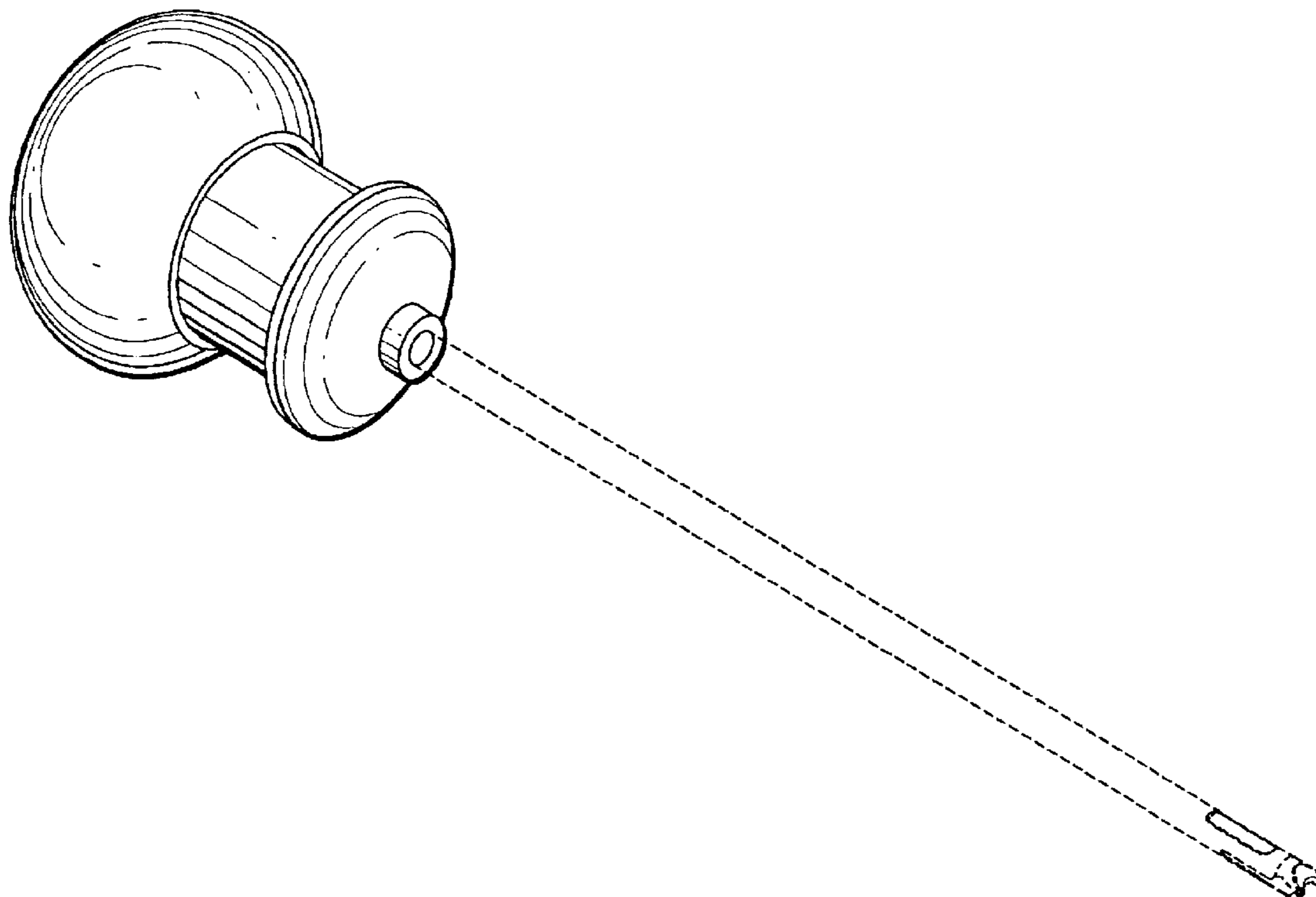
The ornamental design for an instrument handle, as shown and described.

DESCRIPTION

FIG. 1 is a perspective view of the instrument handle showing my new design;
 FIG. 2 is a left side view thereof;
 FIG. 3 is a right side view thereof;
 FIG. 4 is a top view thereof;
 FIG. 5 is a bottom view thereof;
 FIG. 6 is a front view thereof; and,
 FIG. 7 is a rear view thereof.

The broken lines showing in FIGS. 1–6 are for illustrative purposes only and form no part of the claimed design.

1 Claim, 3 Drawing Sheets



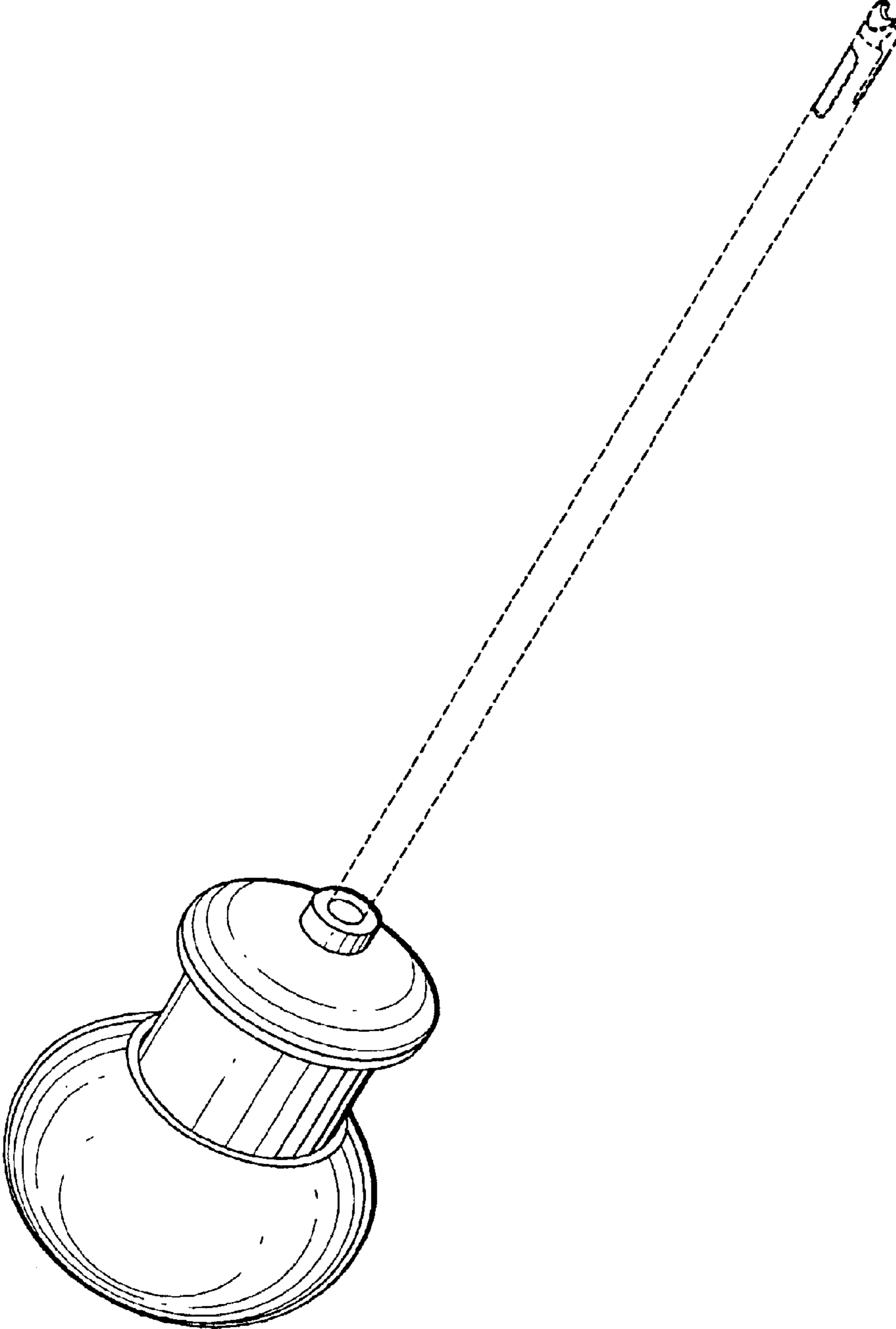


FIG. 1

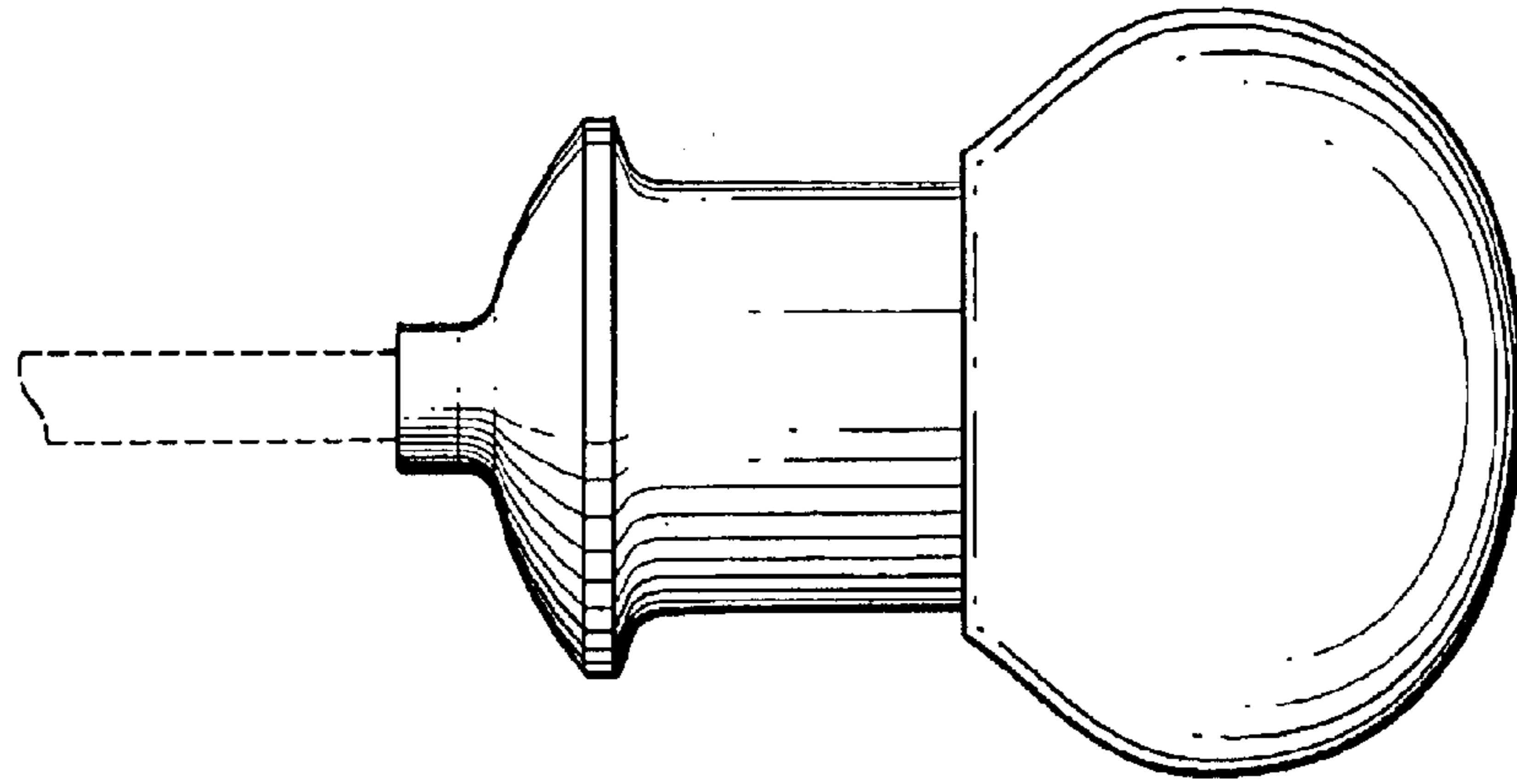


FIG. 2

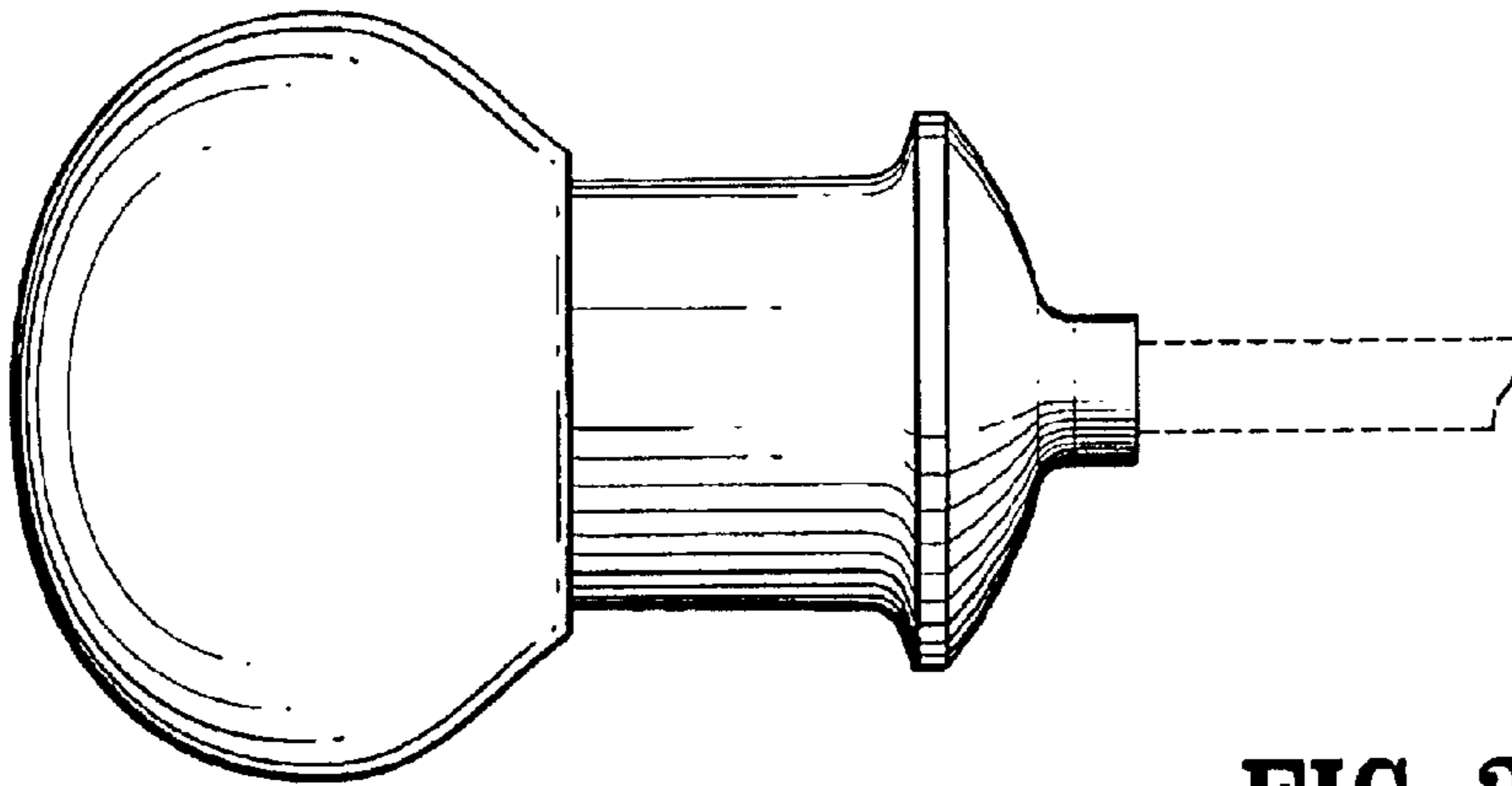


FIG. 3

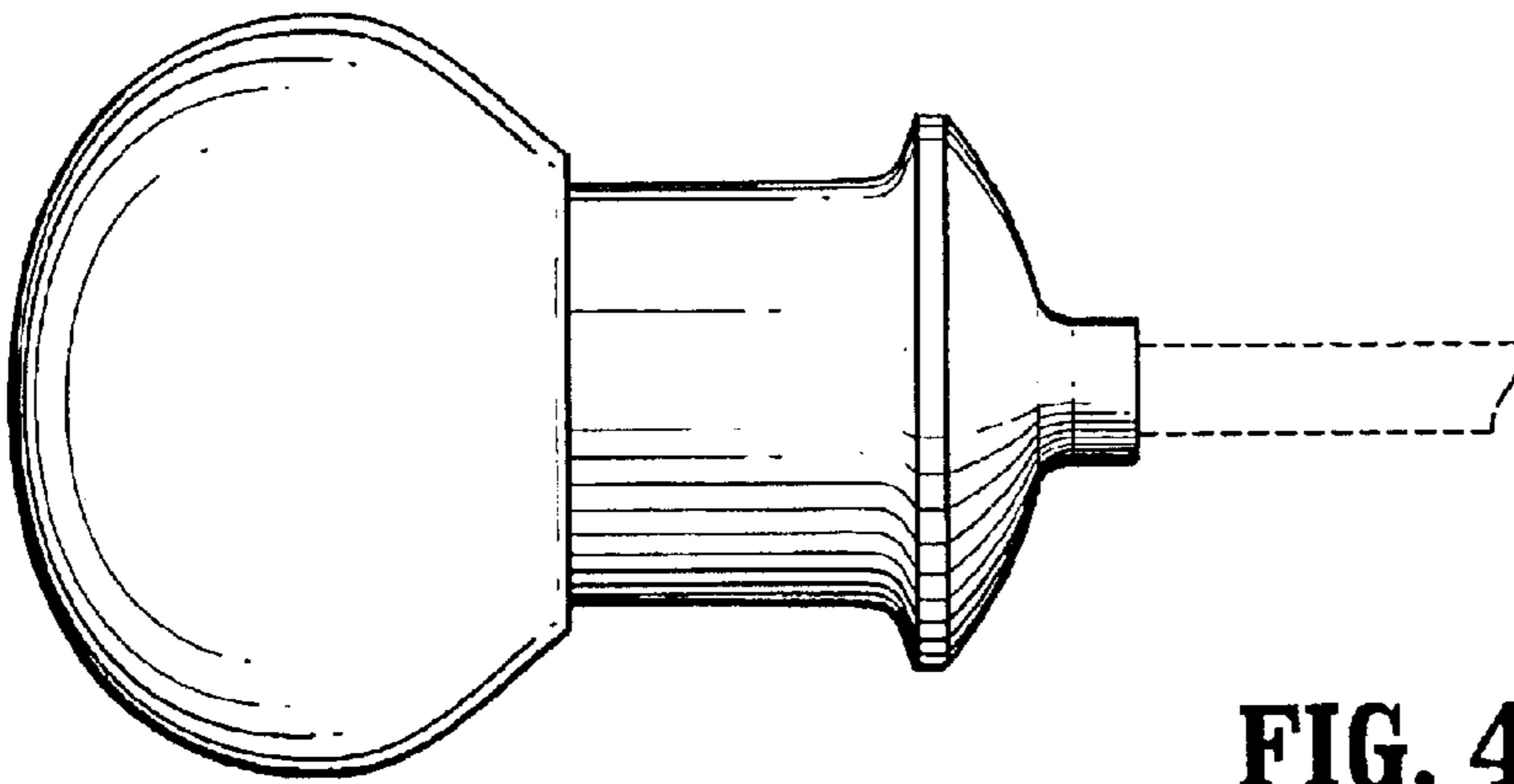


FIG. 4

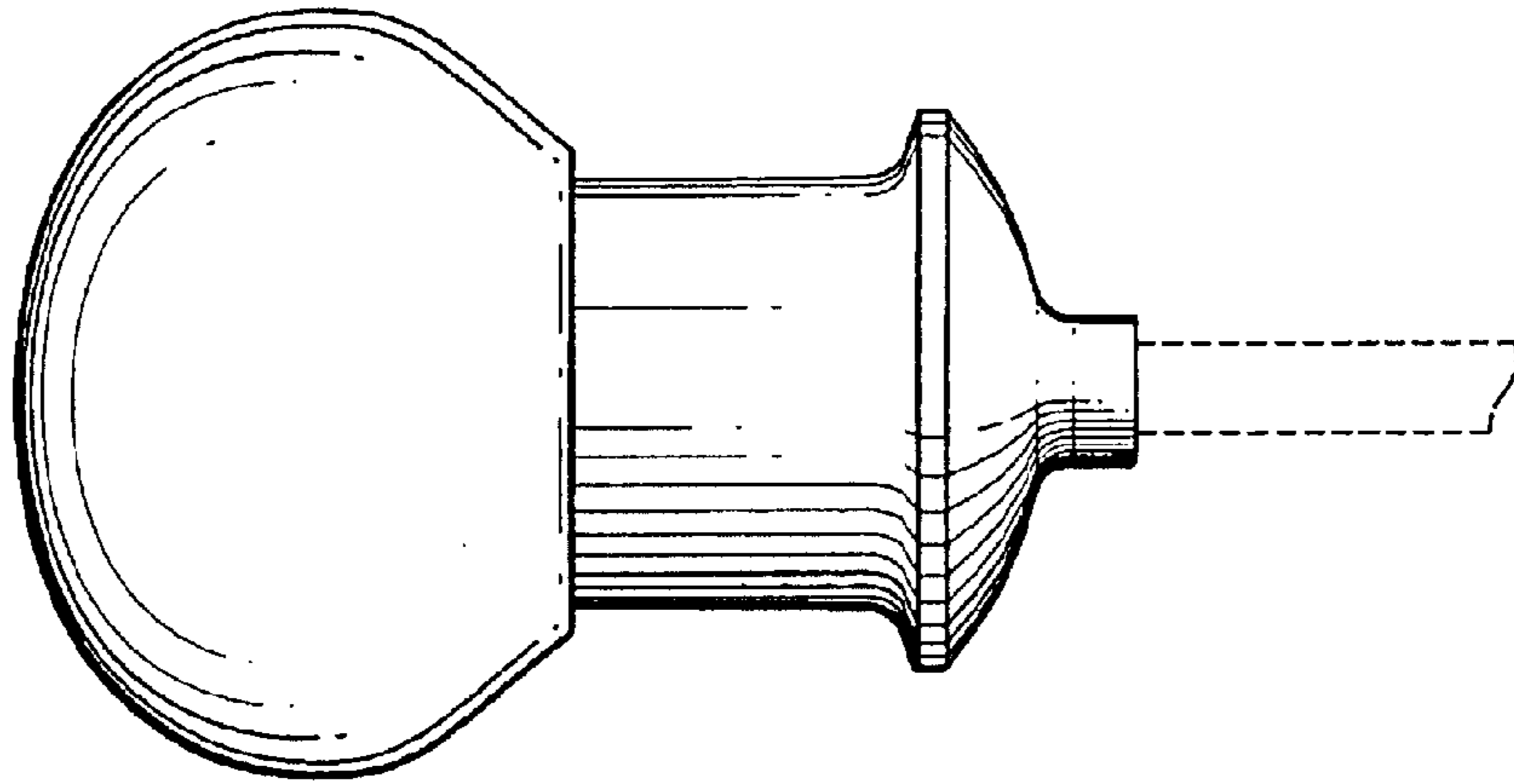


FIG. 5

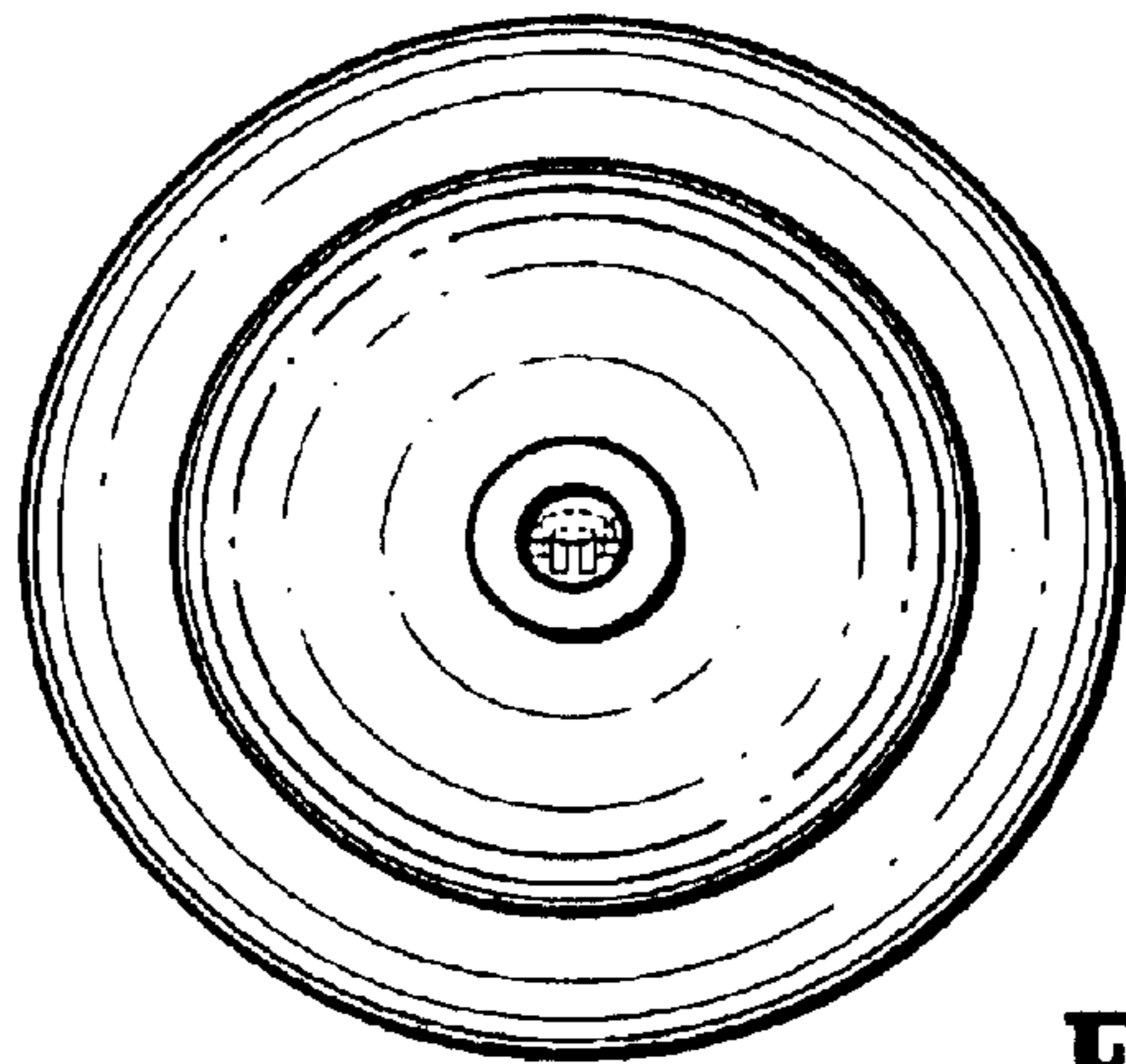


FIG. 6

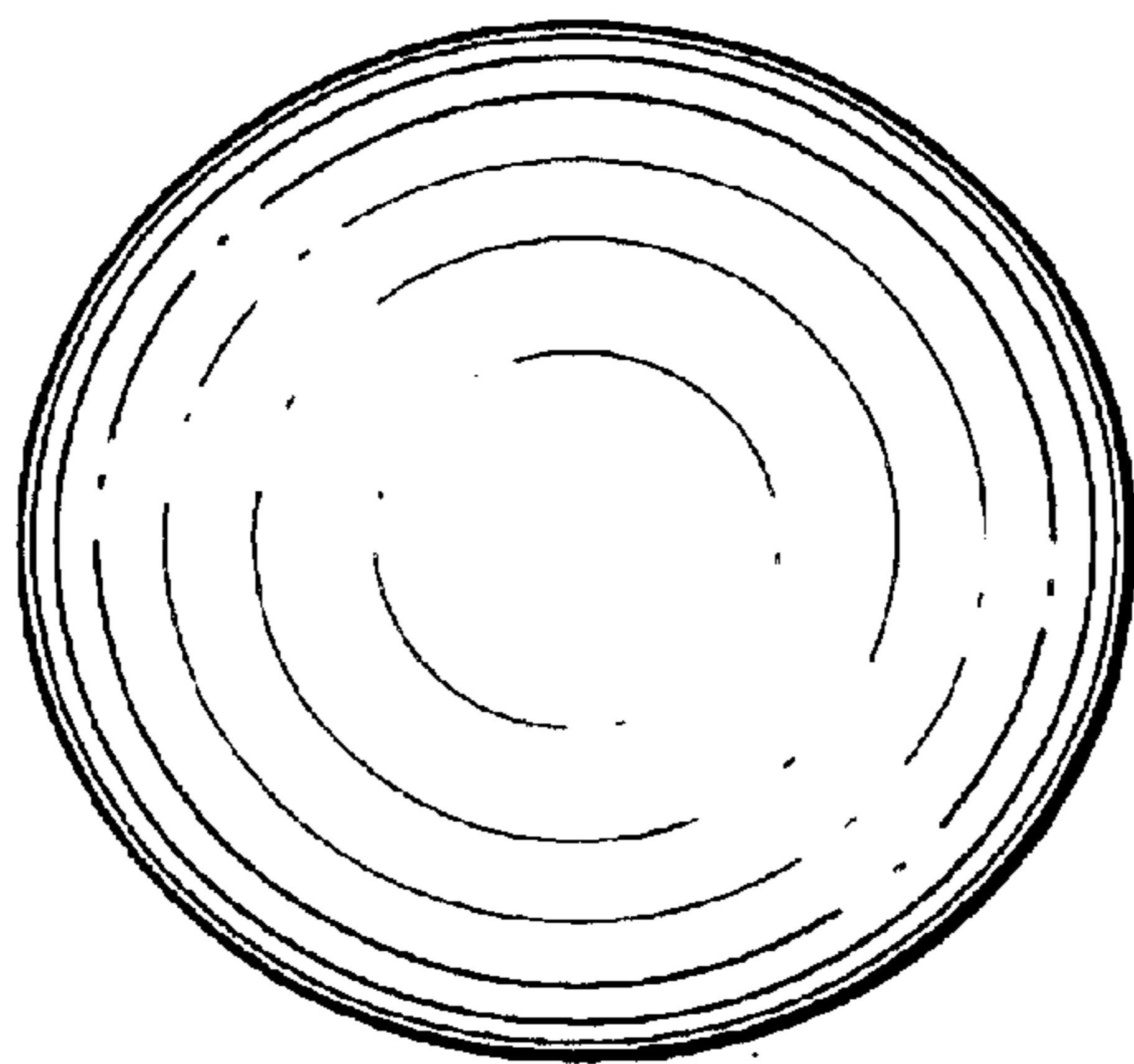


FIG. 7