

US00D497667S1

(12) **United States Design Patent** (10) **Patent No.:** **US D497,667 S**
Odell et al. (45) **Date of Patent:** **** Oct. 26, 2004**

(54) **POUCH**

D464,725 S * 10/2002 Petherbridge et al. .. D24/110.1
2003/0192541 A1 * 10/2003 Avery et al. 128/204.18

(75) Inventors: **Raymond Odell**, Brookmans Park (GB); **Martin J. Avery**, Greenford (GB); **Jason A. Graves**, Bracknell (GB); **Nicholas J. Gloag**, Darlington (GB); **Simon A. Mortimer**, Bracknell (GB); **Rachael J. Johnson**, Bishop Auckland (GB); **Desmond T. Curran**, Durham (GB)

FOREIGN PATENT DOCUMENTS

DE	3900210 A1	7/1990
DE	4317931 A1	12/1994
EP	0326225 A2	8/1989
EP	0763337 A1	3/1997
FR	2590458	5/1987

(73) Assignee: **3M Innovative Properties Company**, St. Paul, MN (US)

English Abstracts for DE 4317931A1, DE 3900210A1, and FR 2590458.

(**) Term: **14 Years**

* cited by examiner

(21) Appl. No.: **29/178,224**

Primary Examiner—Ian Simmons

(22) Filed: **Mar. 21, 2003**

(74) *Attorney, Agent, or Firm*—Karl Hanson

(30) **Foreign Application Priority Data**

(57) **CLAIM**

Oct. 3, 2002 (GB) 3007497

The ornamental design for a pouch, as shown and described.

(51) **LOC (7) Cl.** **24-02**

DESCRIPTION

(52) **U.S. Cl.** **D24/118; D24/110**

FIG. 1 is a perspective view, showing the new design for a pouch.

(58) **Field of Search** D24/118, 110, D24/110.1, 110.2; D9/305; 128/204.18, 201.22; 383/121, 100

FIG. 2 is a top view thereof;

FIG. 3 is a left side view thereof;

FIG. 4 is a right side view thereof;

FIG. 5 is a front view thereof; and,

FIG. 6 is a rear view thereof.

(56) **References Cited**

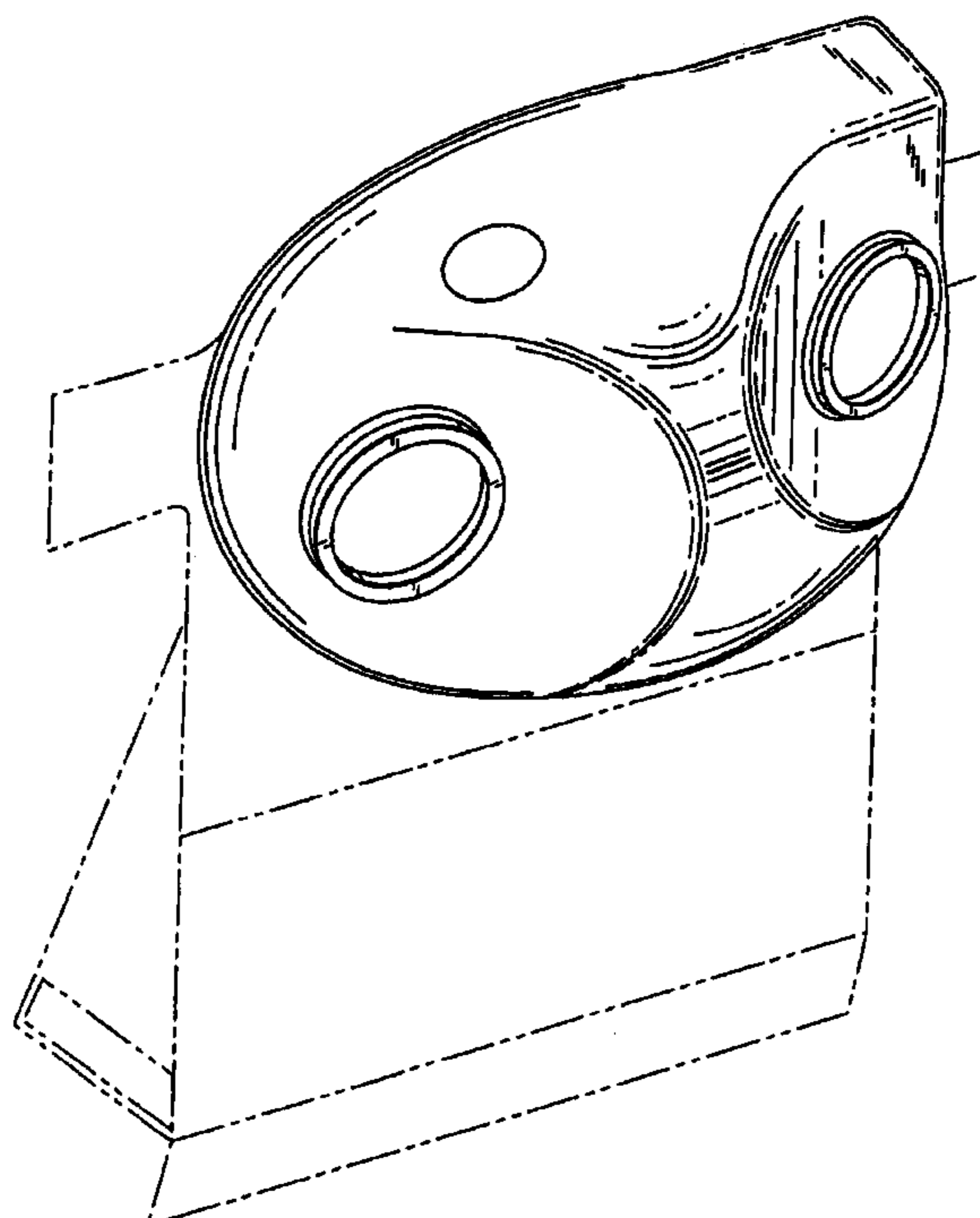
U.S. PATENT DOCUMENTS

3,606,822 A	*	9/1971	Platz et al.	383/121
4,793,486 A		12/1988	Konopka et al.	
4,998,785 A		3/1991	Ridout	
5,485,237 A		1/1996	Adermann et al.	
5,839,932 A		11/1998	Pierce et al.	

The phantom line showing forms no part of the claimed design.

The shading shown in the drawings is provided merely to indicate contour. It is not indicative of texture, gloss, etc.

1 Claim, 5 Drawing Sheets



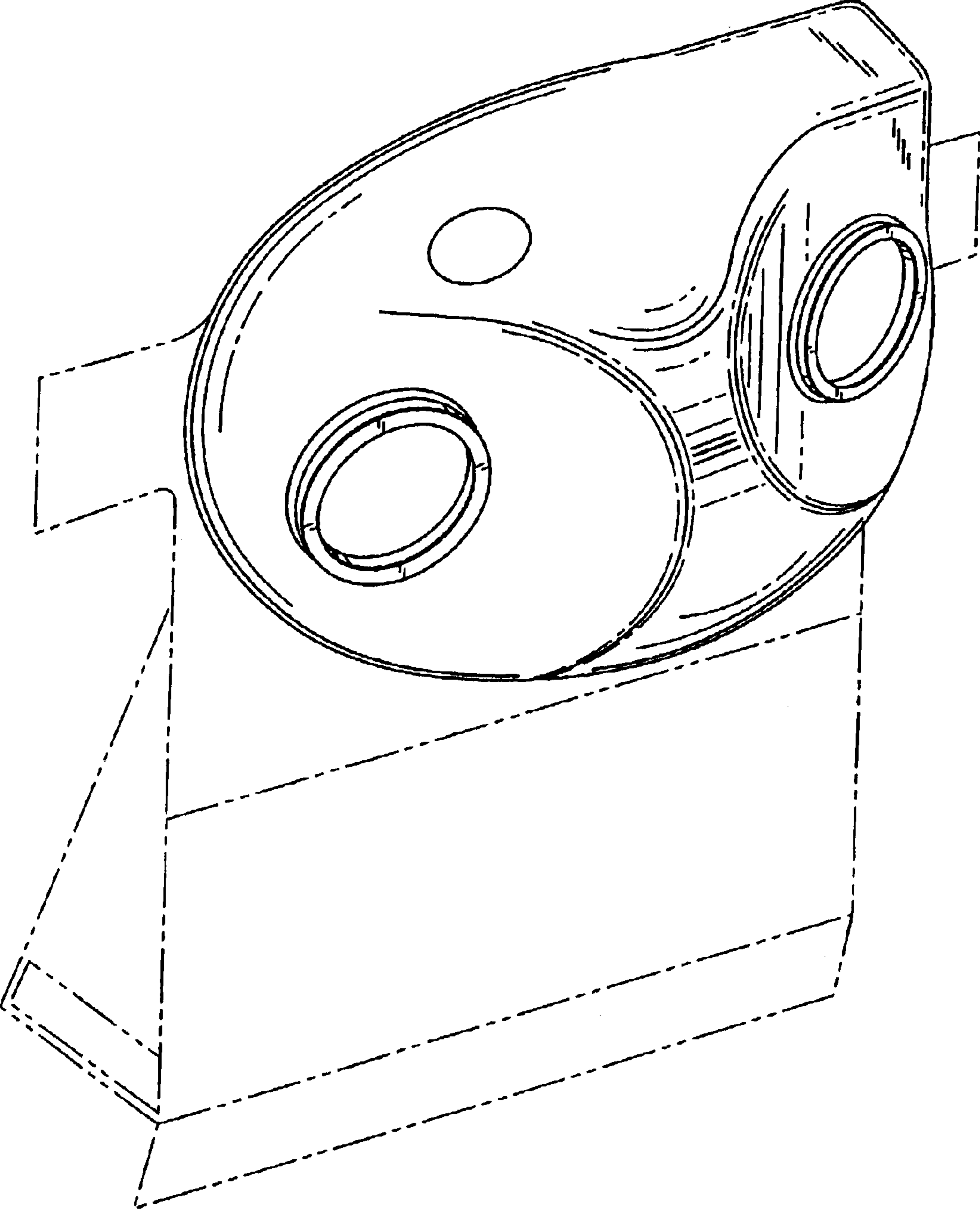


FIG. 1

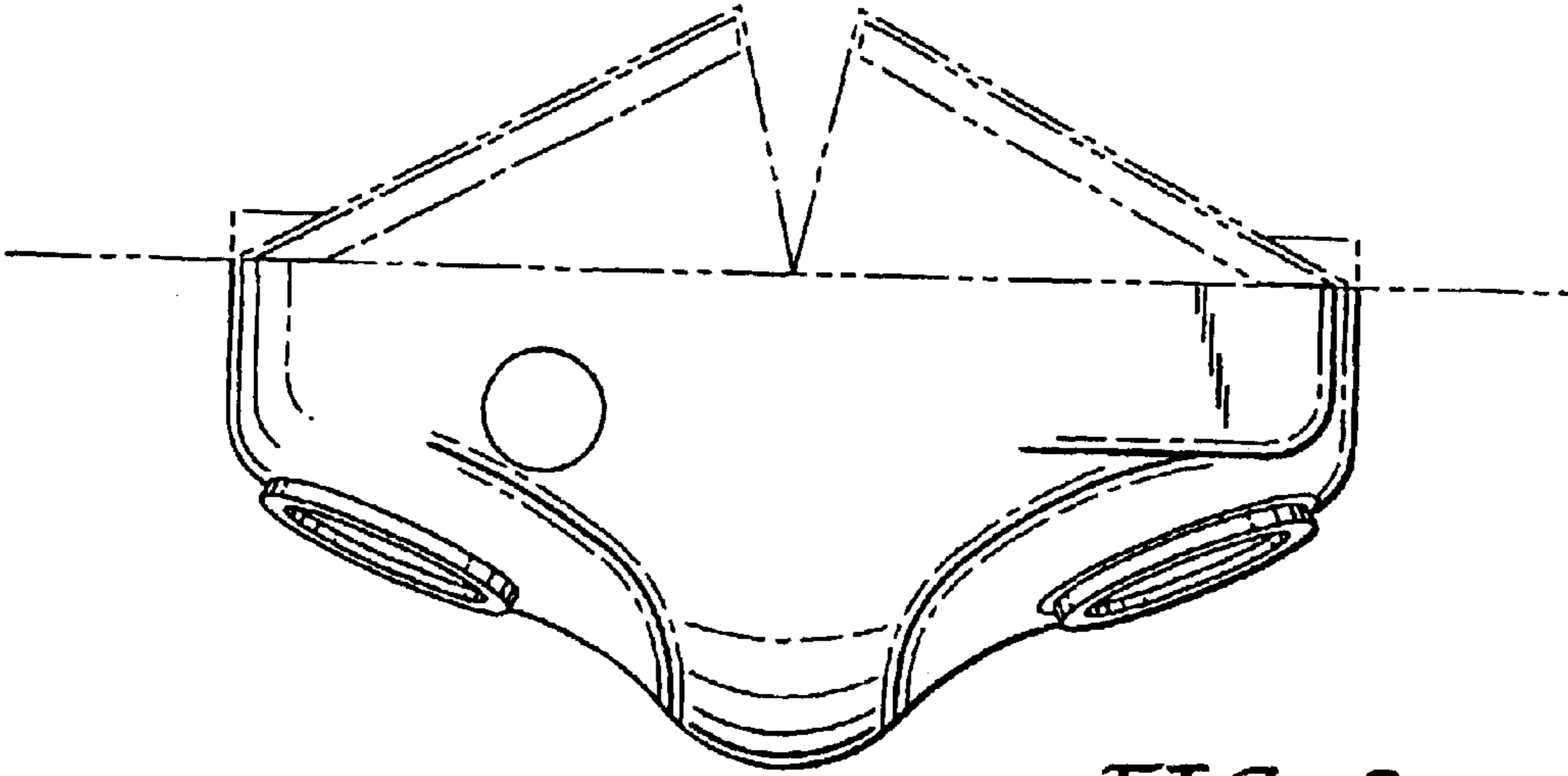


FIG. 2

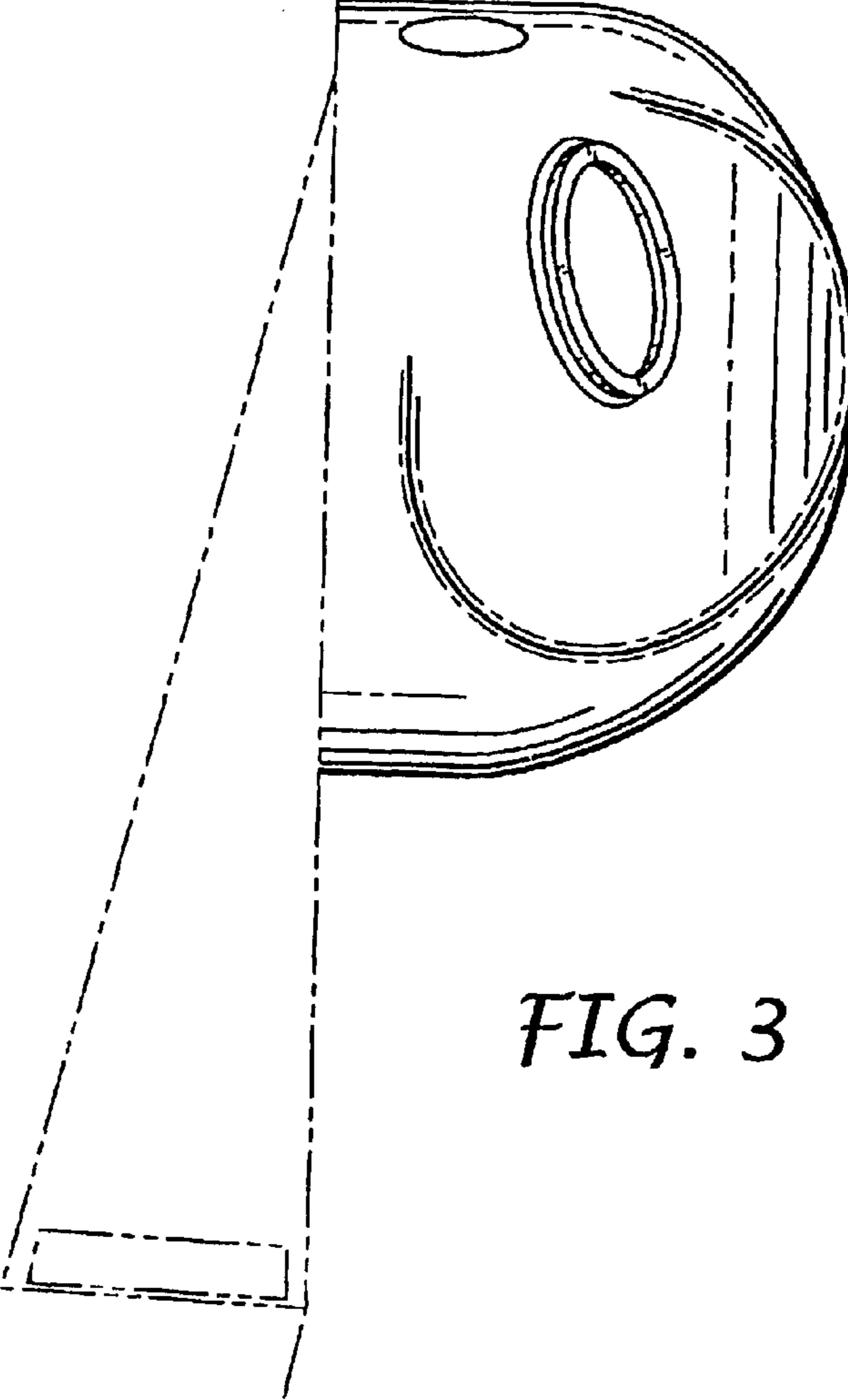


FIG. 3

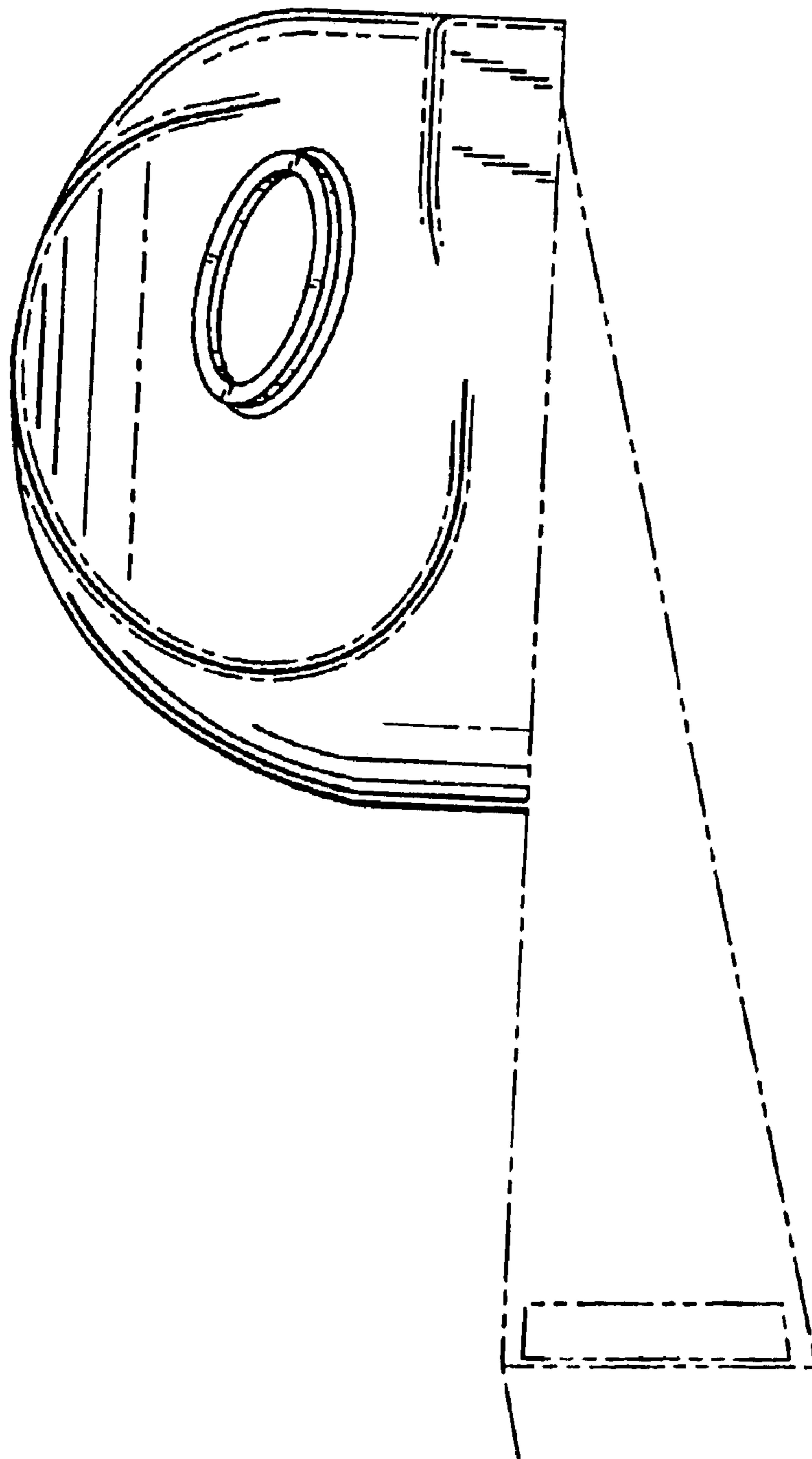


FIG. 4

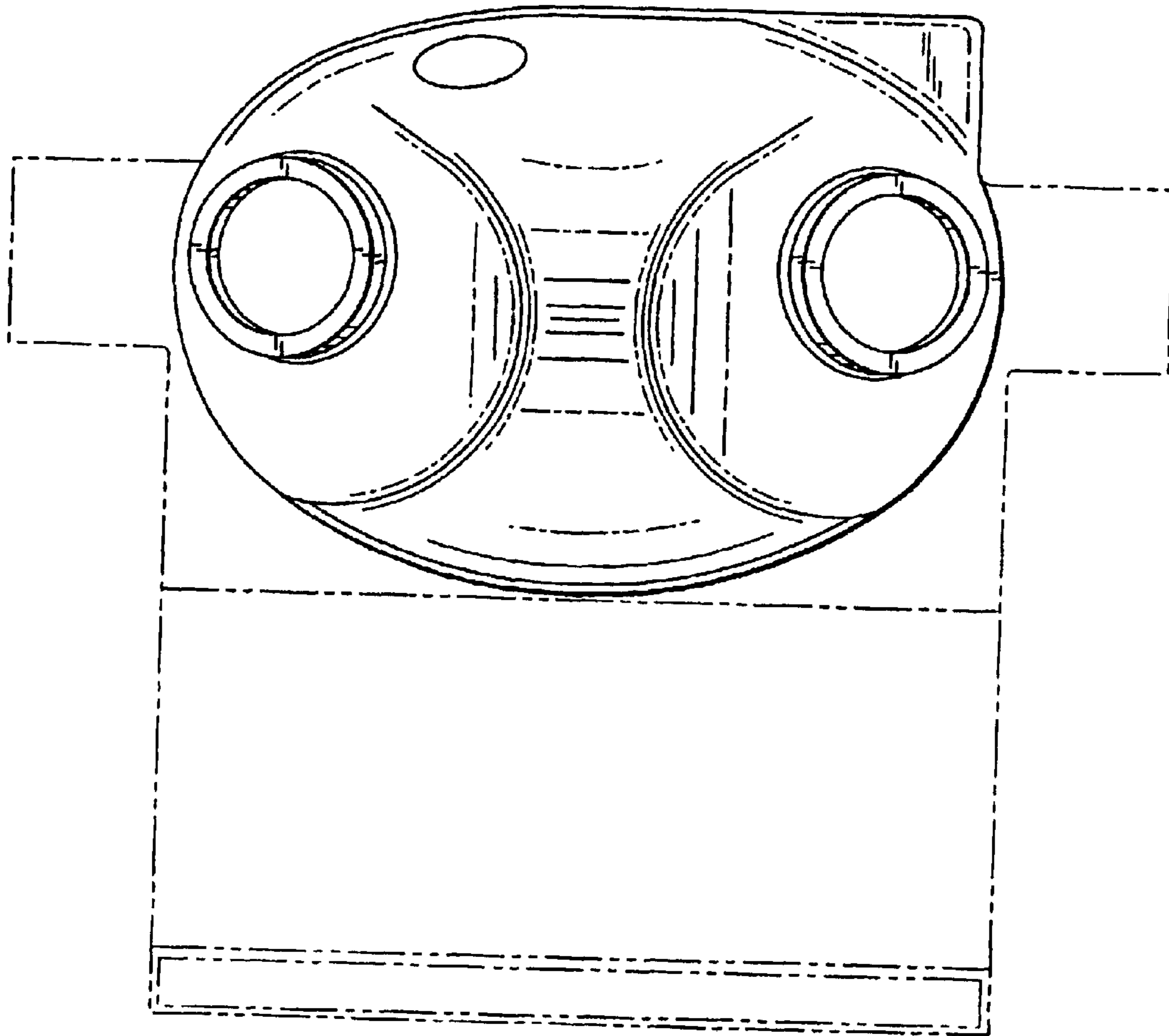


FIG. 5

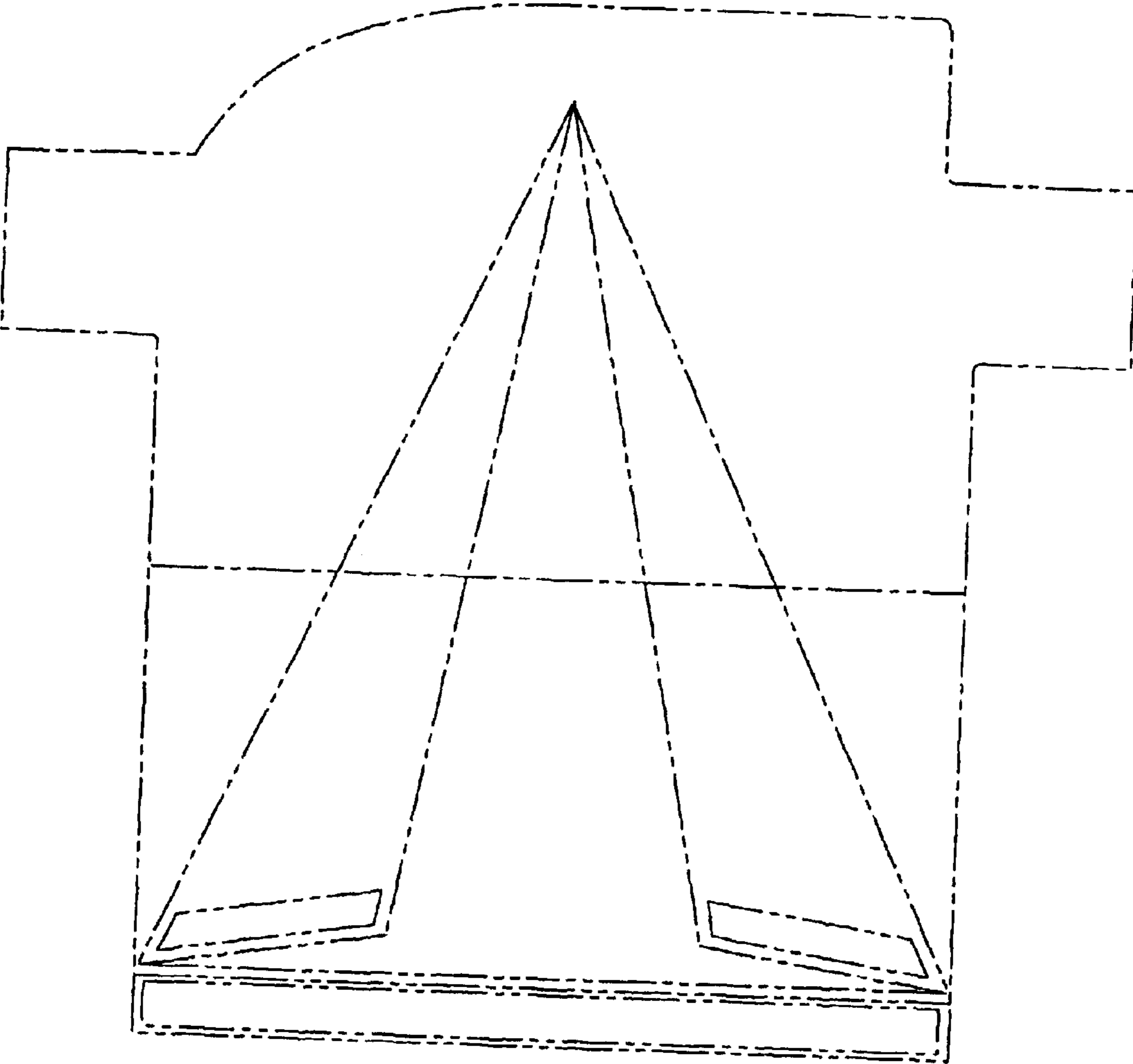


FIG. 6