

US00D497666S1

(12) **United States Design Patent**
Lien

(10) **Patent No.: US D497,666 S**

(45) **Date of Patent: ** Oct. 26, 2004**

(54) **VAPOR OUTLET FOR SUPERSONIC AROMATIC HYDRO-OXYGEN VAPORIZER**

(76) **Inventor: Hui-Jung Lien, P.O. Box 24-108, Taipei (TW)**

(**) **Term: 14 Years**

(21) **Appl. No.: 29/182,143**

(22) **Filed: May 21, 2003**

(51) **LOC (7) Cl. 29-02**

(52) **U.S. Cl. D24/110**

(58) **Field of Search** D24/110, 200, D24/164, 129; D23/362, 360, 356; 128/203.17, 204.13, 200.16, 203.12, 205.12, 200.14; 422/305, 125, 306, 120, 302, 123, 124; 261/DIG. 88, DIG. 65, DIG. 89, 115, 26, 28; 392/324, 333, 332, 394, 367, 369, 368, 365

(56) **References Cited**

U.S. PATENT DOCUMENTS

3,949,743 A * 4/1976 Shanbrom 128/200.14

4,663,091 A * 5/1987 Seo 261/DIG. 80
D298,351 S * 11/1988 Ihlenfeld et al. D23/356
D421,300 S * 2/2000 Denyer et al. D24/110.5
6,283,118 B1 * 9/2001 Lu 128/200.16
2003/0150451 A1 * 8/2003 Shayan 128/203.12

* cited by examiner

Primary Examiner—Ian Simmons

(74) *Attorney, Agent, or Firm*—Troxell Law Office PLLC

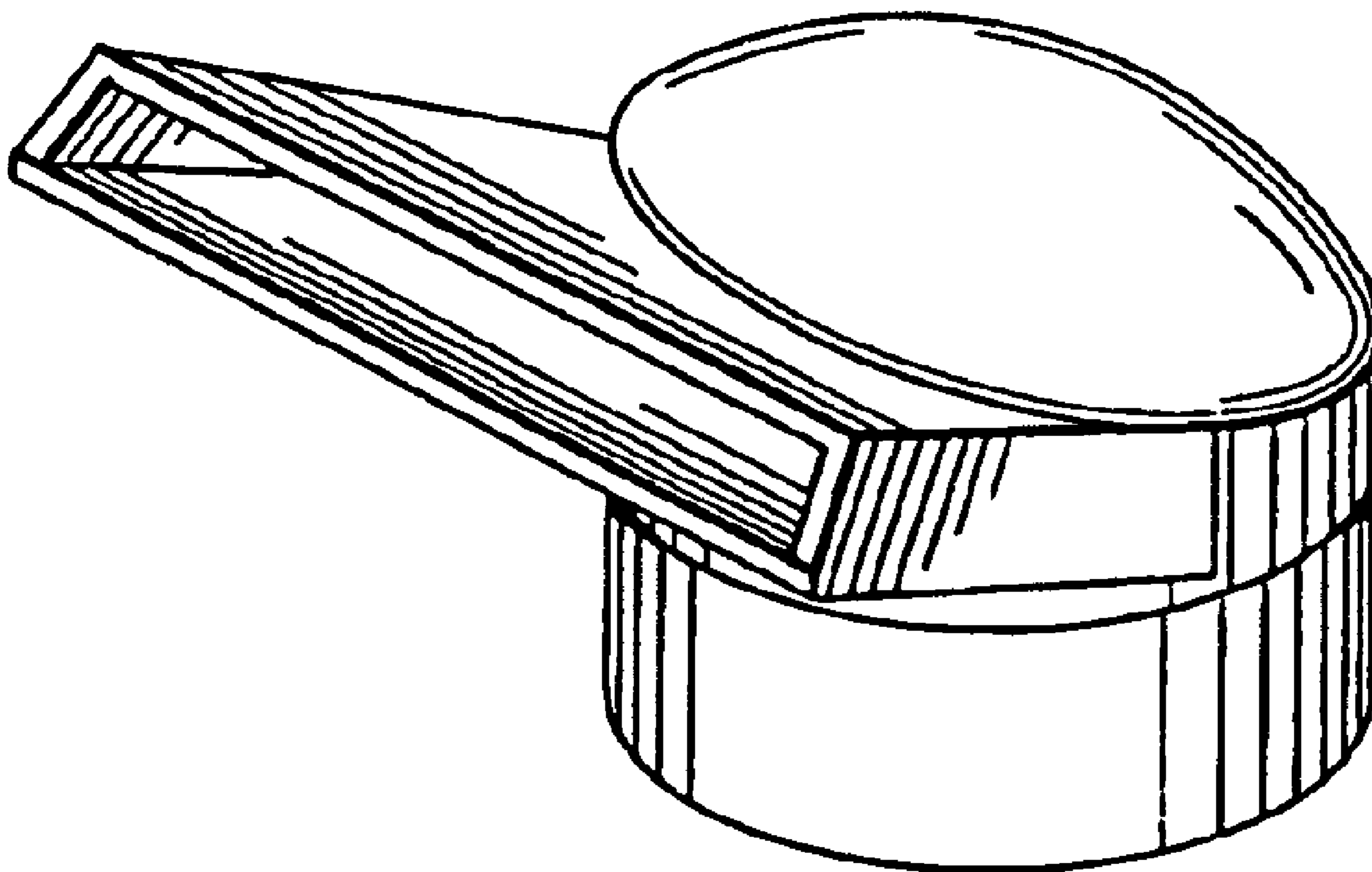
(57) **CLAIM**

The ornamental design for a vapor outlet for supersonic aromatic hydro-oxygen vaporizer, as shown and described.

DESCRIPTION

FIG. 1 is a perspective view of a vapor outlet for supersonic aromatic hydro-oxygen vaporizer showing my new design; FIG. 2 is a front elevational view thereof; FIG. 3 is a rear elevational view thereof; FIG. 4 is a left side elevational view thereof; FIG. 5 is a right side elevational view thereof; FIG. 6 is a top plan view thereof; and, FIG. 7 is a bottom plan view thereof.

1 Claim, 2 Drawing Sheets



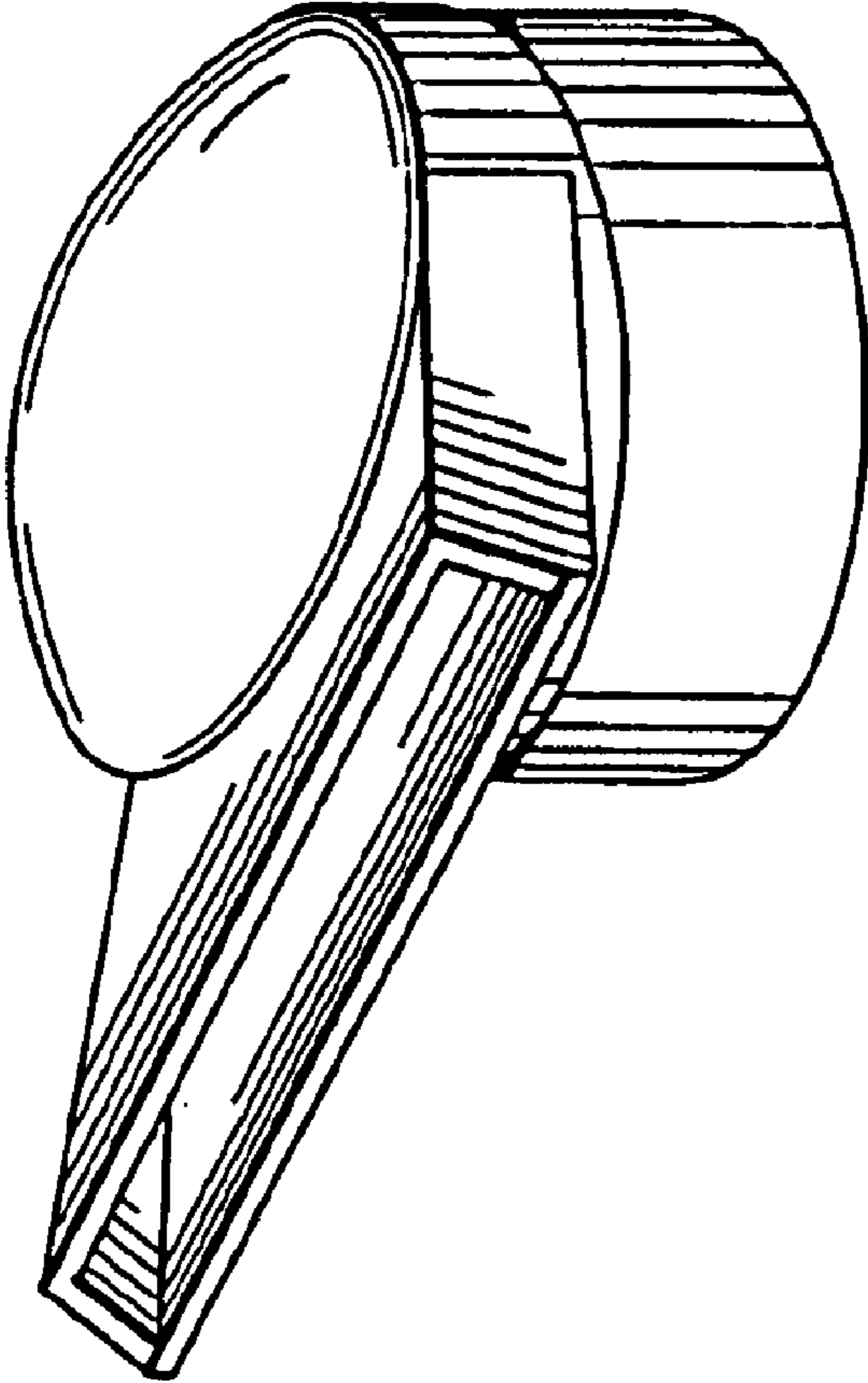


FIG. 1

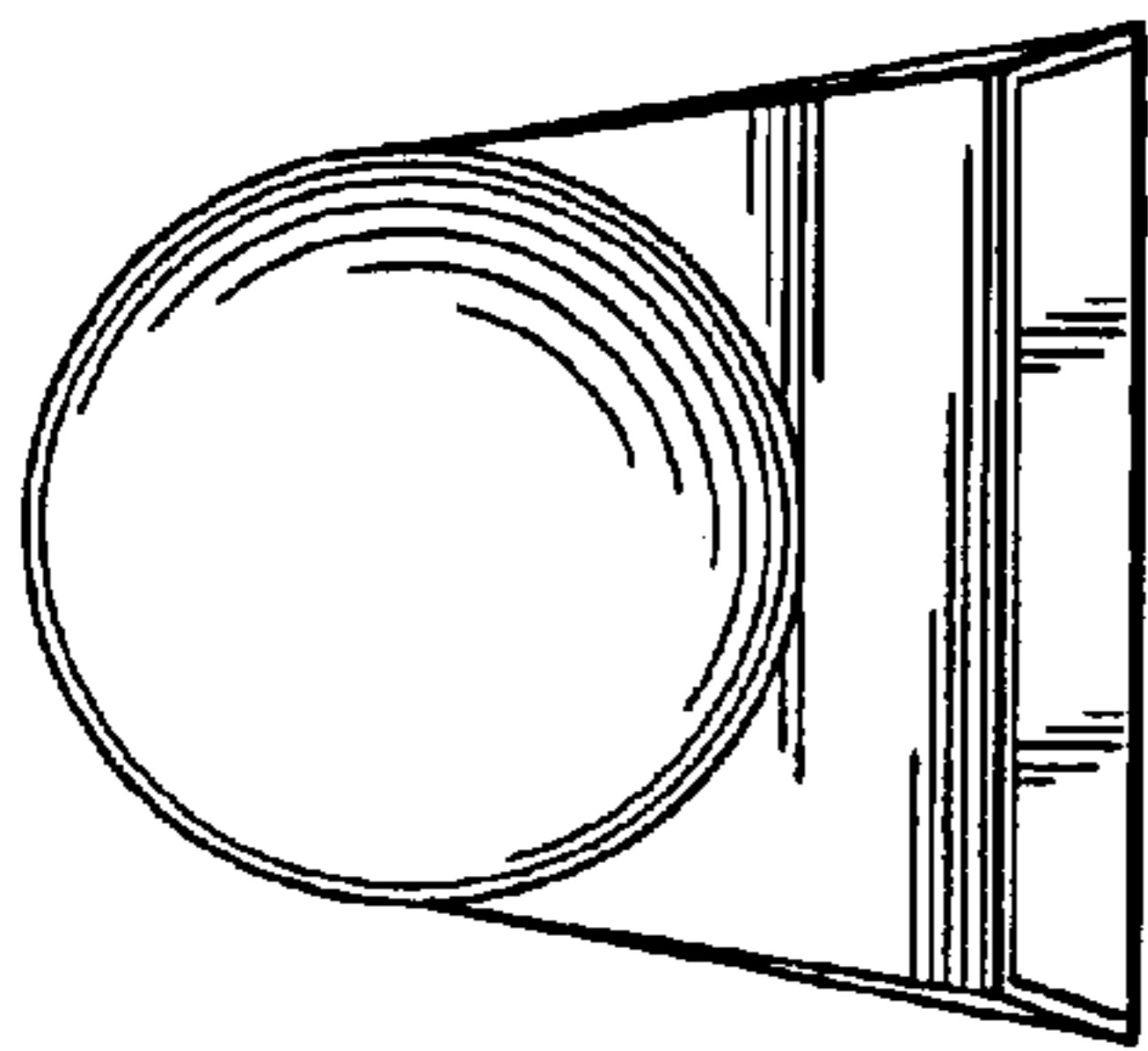


FIG. 6

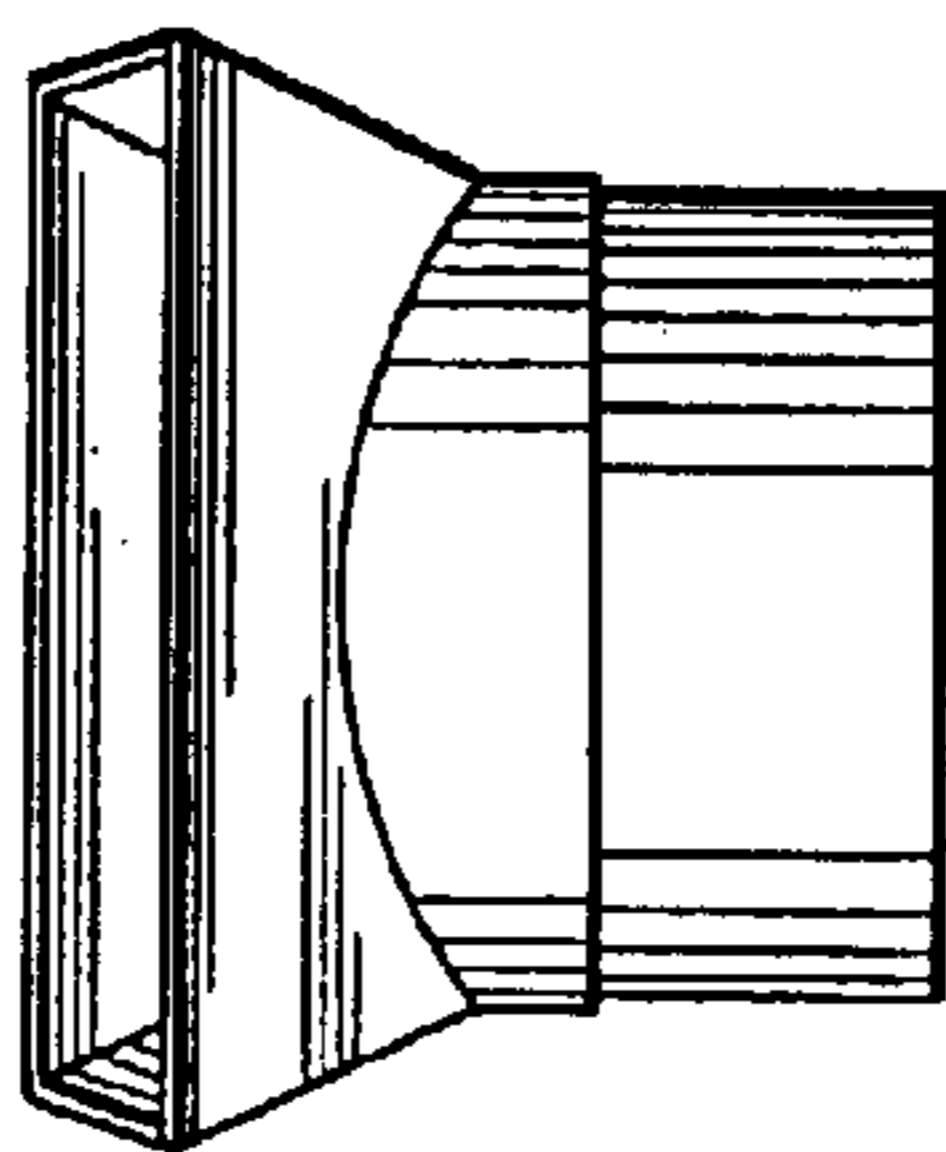


FIG. 2

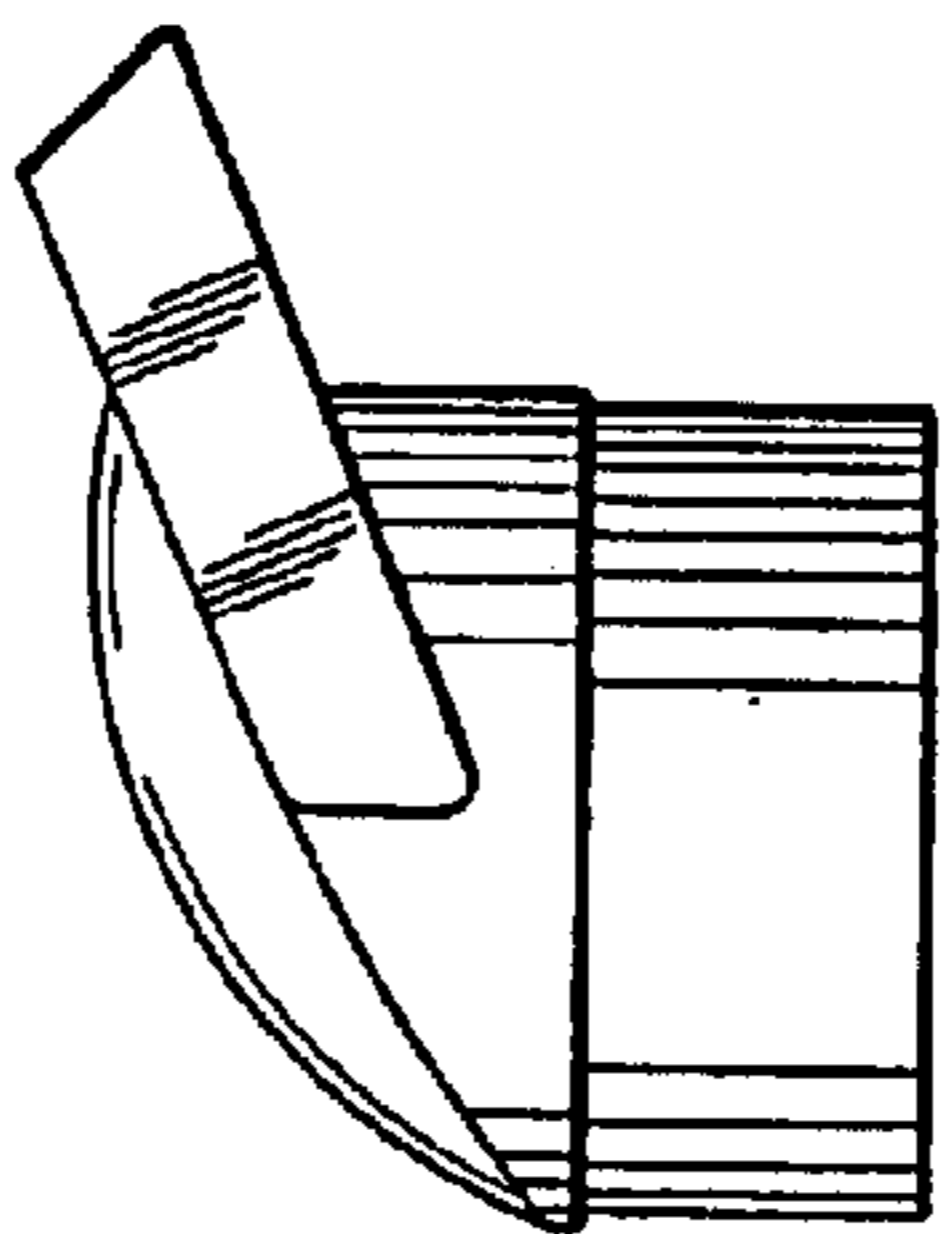


FIG. 4

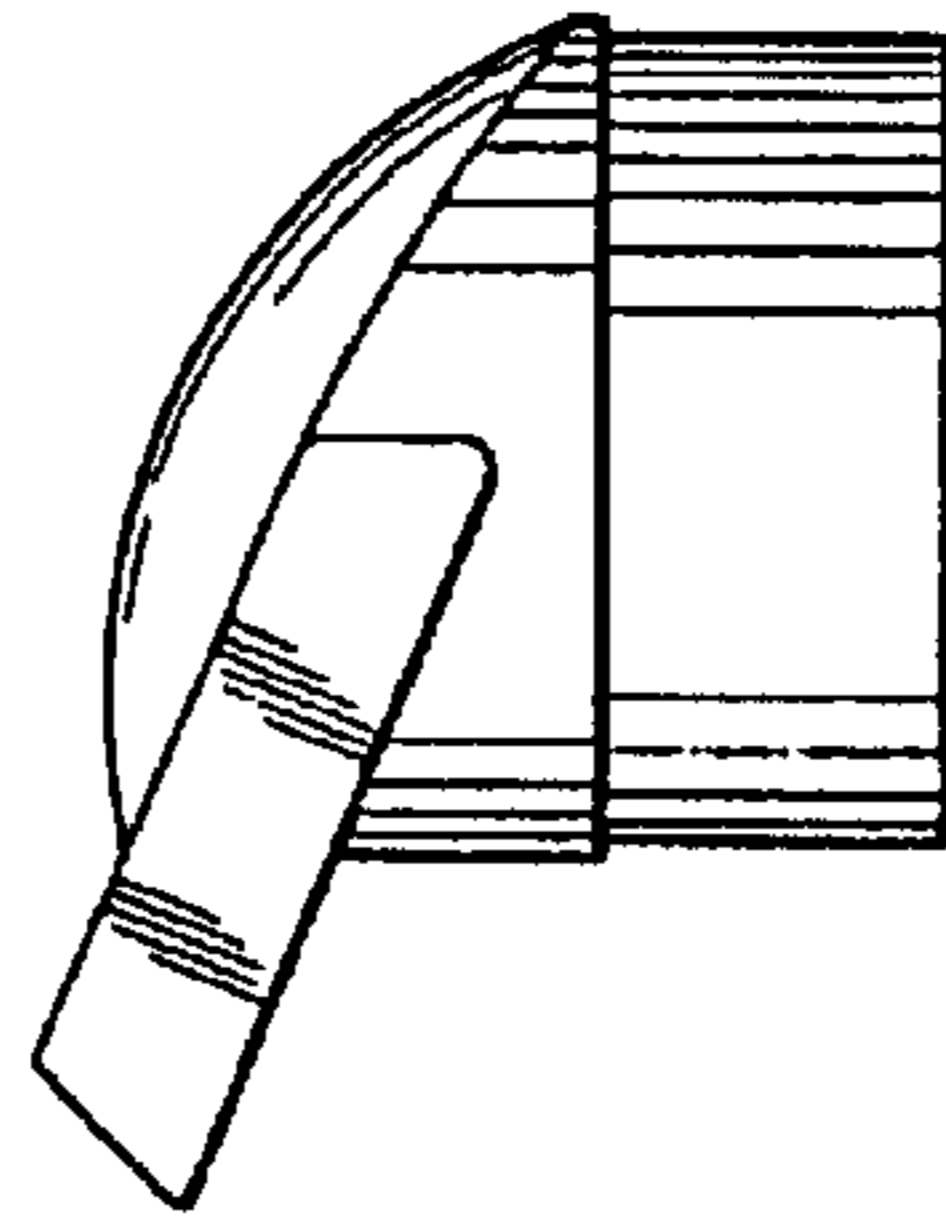


FIG. 5

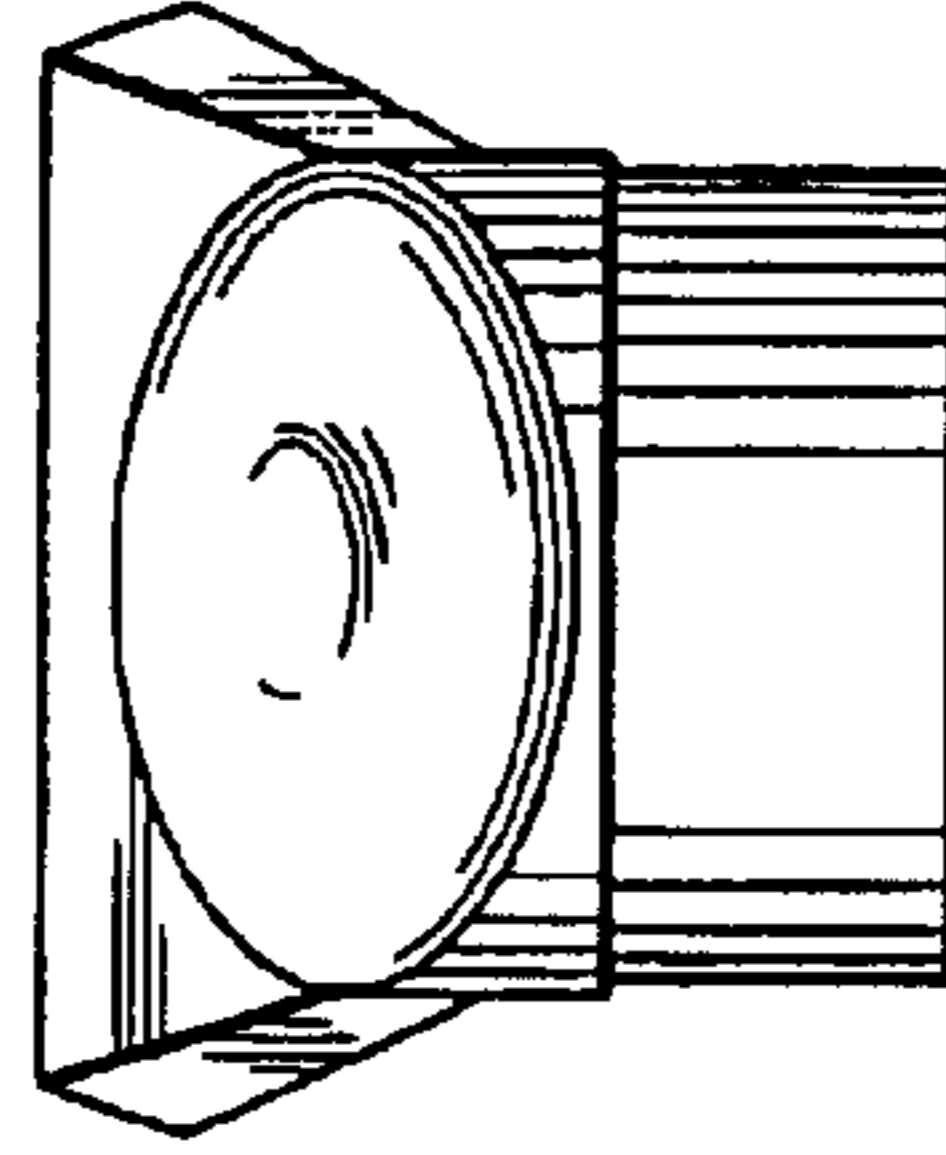


FIG. 3

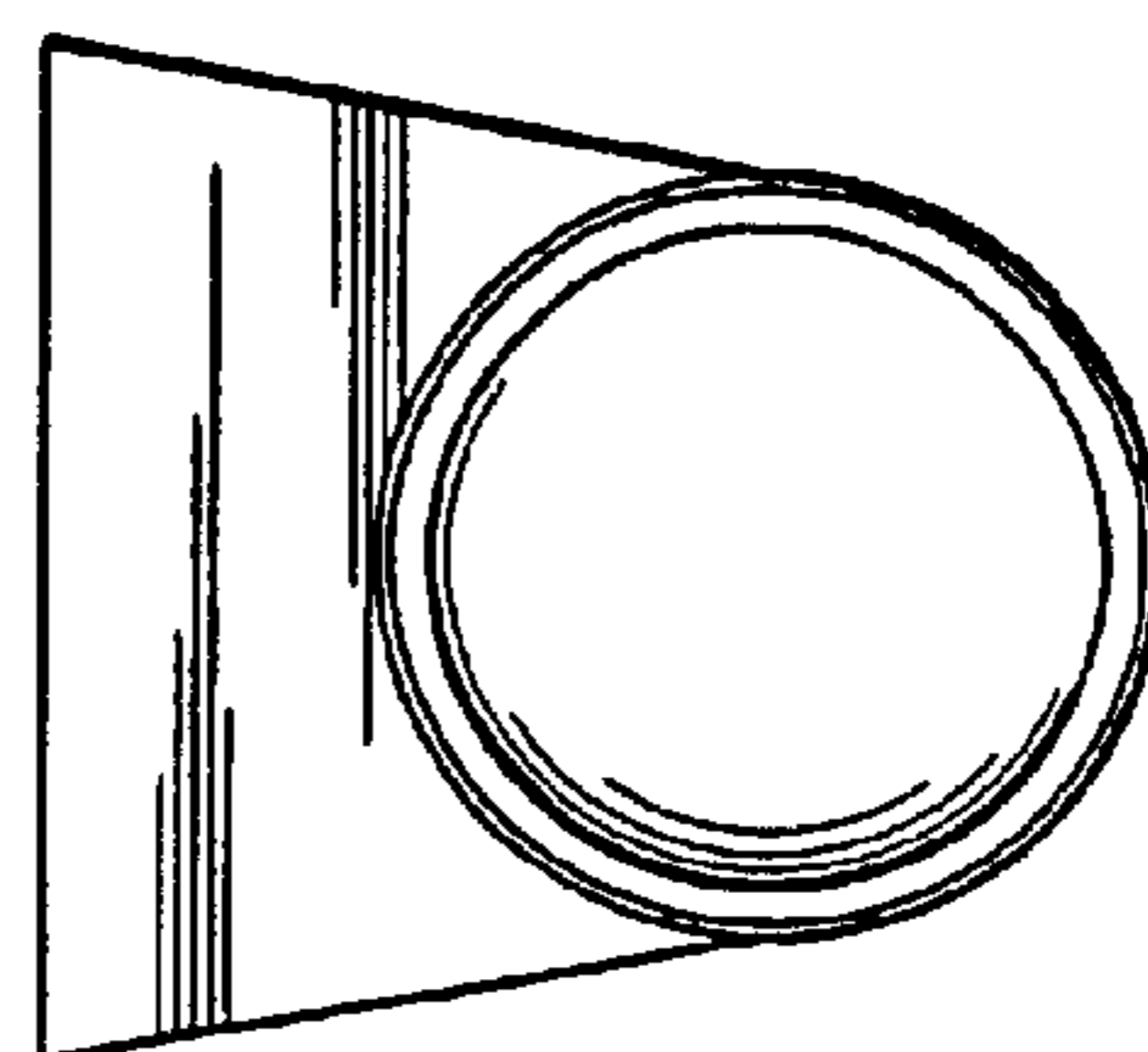


FIG. 7