

US00D497664S1

(12) **United States Design Patent** (10) **Patent No.:** **US D497,664 S**
Puri (45) **Date of Patent:** **** Oct. 26, 2004**

(54) **AIR PURIFYING UNIT**

(75) Inventor: **Krishan Kumar Puri**, Richmond (CA)

(73) Assignee: **Citywide Machine Wholesale Inc.**,
Richmond (CA)

(**) Term: **14 Years**

(21) Appl. No.: **29/191,133**

(22) Filed: **Sep. 30, 2003**

(51) **LOC (7) Cl.** **23-04**

(52) **U.S. Cl.** **D23/364**

(58) **Field of Search** D23/355, 364,
D23/365; 55/467, 471, 472

(56) **References Cited**

U.S. PATENT DOCUMENTS

D344,791 S	*	3/1994	Cunning	D23/364
D399,943 S	*	10/1998	Ko	D23/364
D409,738 S	*	5/1999	Schwede	D23/355
D446,577 S	*	8/2001	Barker et al.	D23/364
D450,111 S	*	11/2001	Stanley et al.	D23/364

OTHER PUBLICATIONS

“Natural Living Products,” www.natural-living.biz/ultra-sun.asp, Aug. 5, 2003.
“Natural Living Products,” www.natural-living.biz/AirFilters.asp, Aug. 5, 2003.
“Sun Pure Air Filter,” mysite.verizon.net/vze1kvrj/id15.html, Aug. 5, 2003.

Ionic Breeze Quadra Compact Silent Air Purifier, www.sharperimage.com/us/en/catalog/productview.jhtml?sku+SI697GRY, Aug. 5, 2003.

Ionic Breeze Quadra Compact Silent Air Purifier, www.sharperimage.com/us/en/catalog/pipmoreshell1.jhtml?sku+SI697GRY, Aug. 5, 2003.

Ionic Breeze Quadra Compact Silent Air Purifier, www.sharperimage.com/us/en/catalog/pipmoreshell1.jhtml?pageType=FA, Aug. 5, 2003.
eSpring System UV Water Purifier brochure, 2002.

* cited by examiner

Primary Examiner—Robin V. Taylor

(74) *Attorney, Agent, or Firm*—Kolisch Hartwell, P.C.

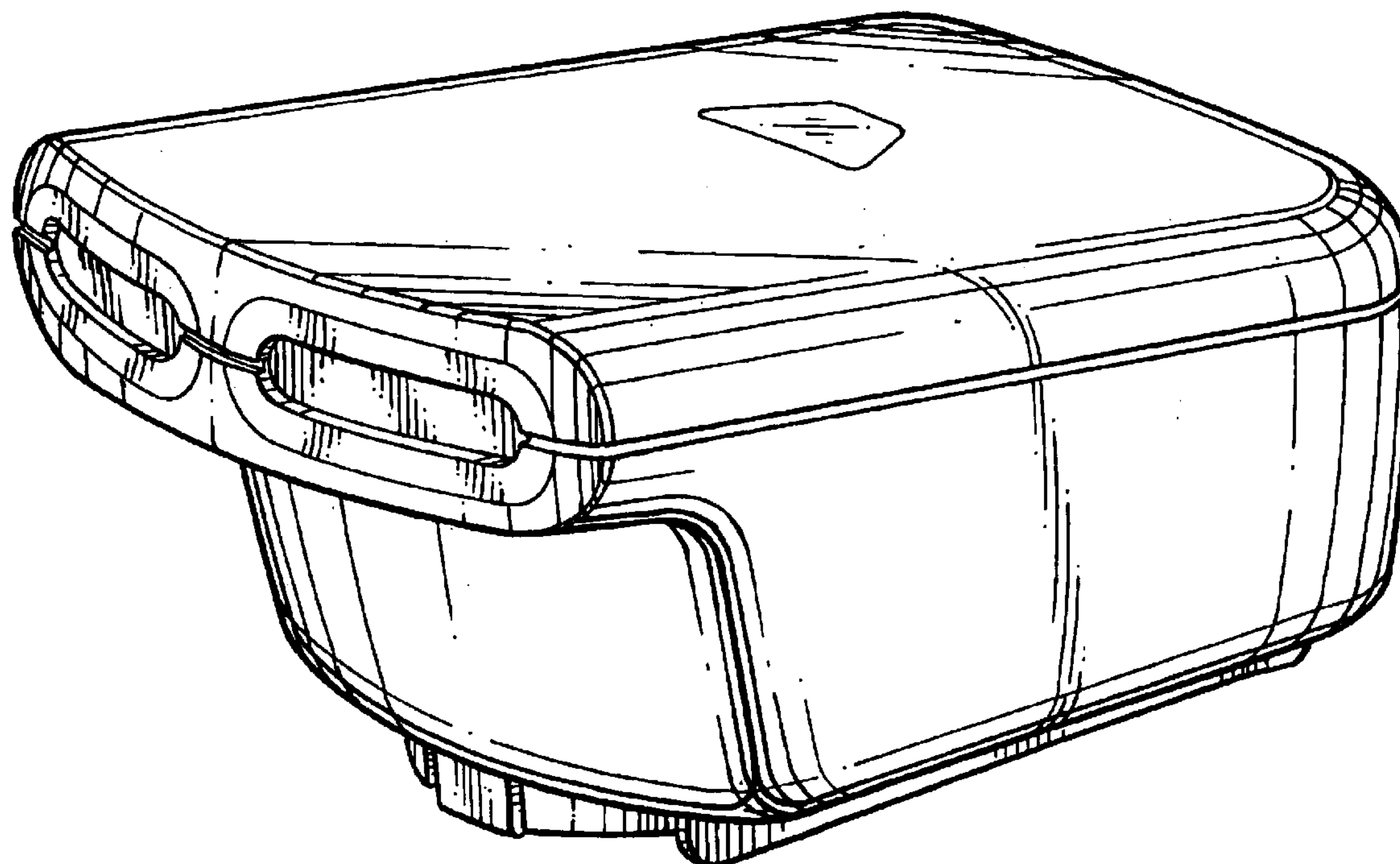
(57) **CLAIM**

The ornamental design for the air purifying unit, as shown and described.

DESCRIPTION

FIG. 1 is a perspective view of the air purifying unit according to the present design;
FIG. 2 is a top plan view;
FIG. 3 is a front elevation view;
FIG. 4 is a rear elevation view;
FIG. 5 is a bottom plan view;
FIG. 6 is a right side elevation view; and,
FIG. 7 is a left side elevation view.

1 Claim, 5 Drawing Sheets



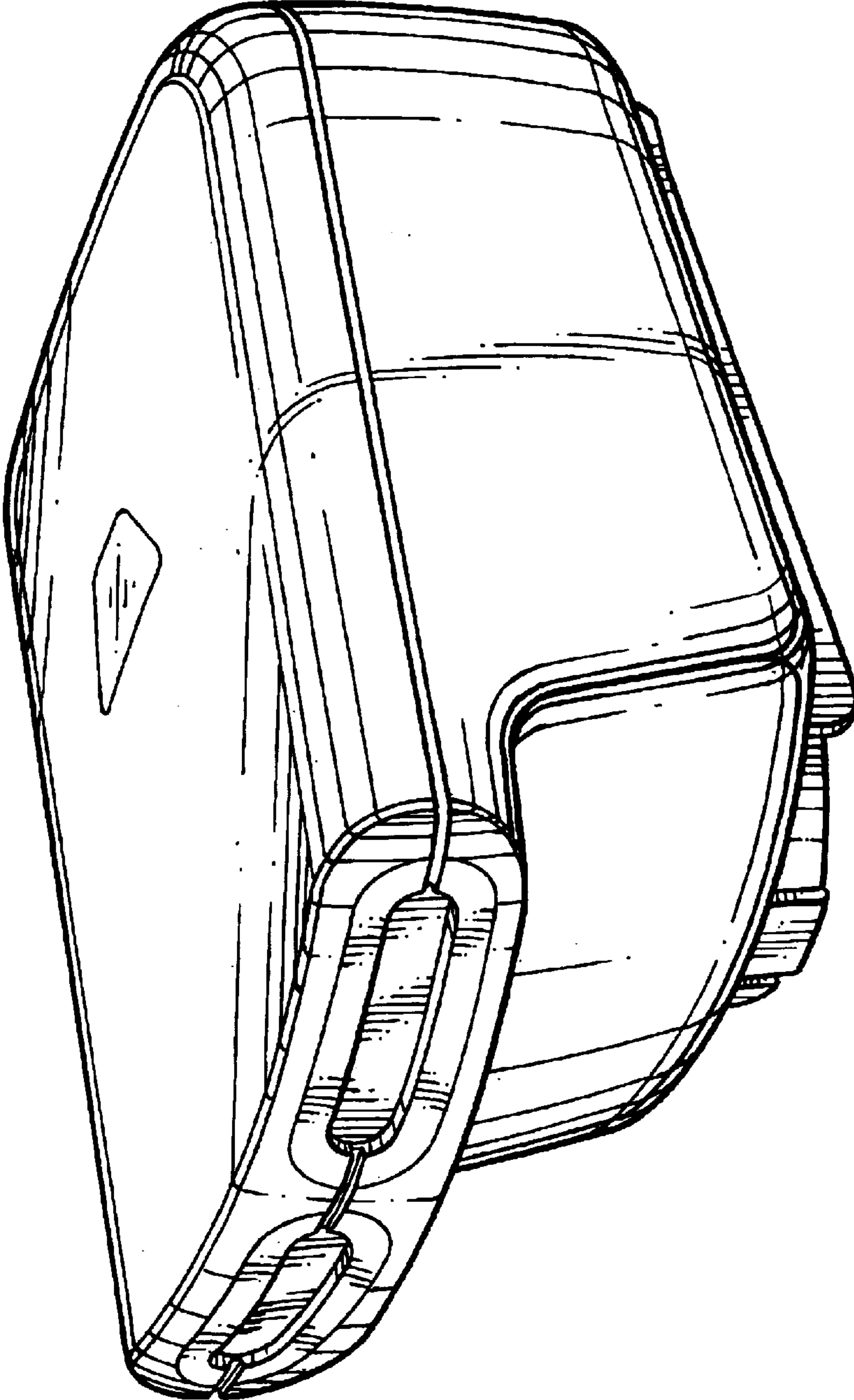


FIG. 1

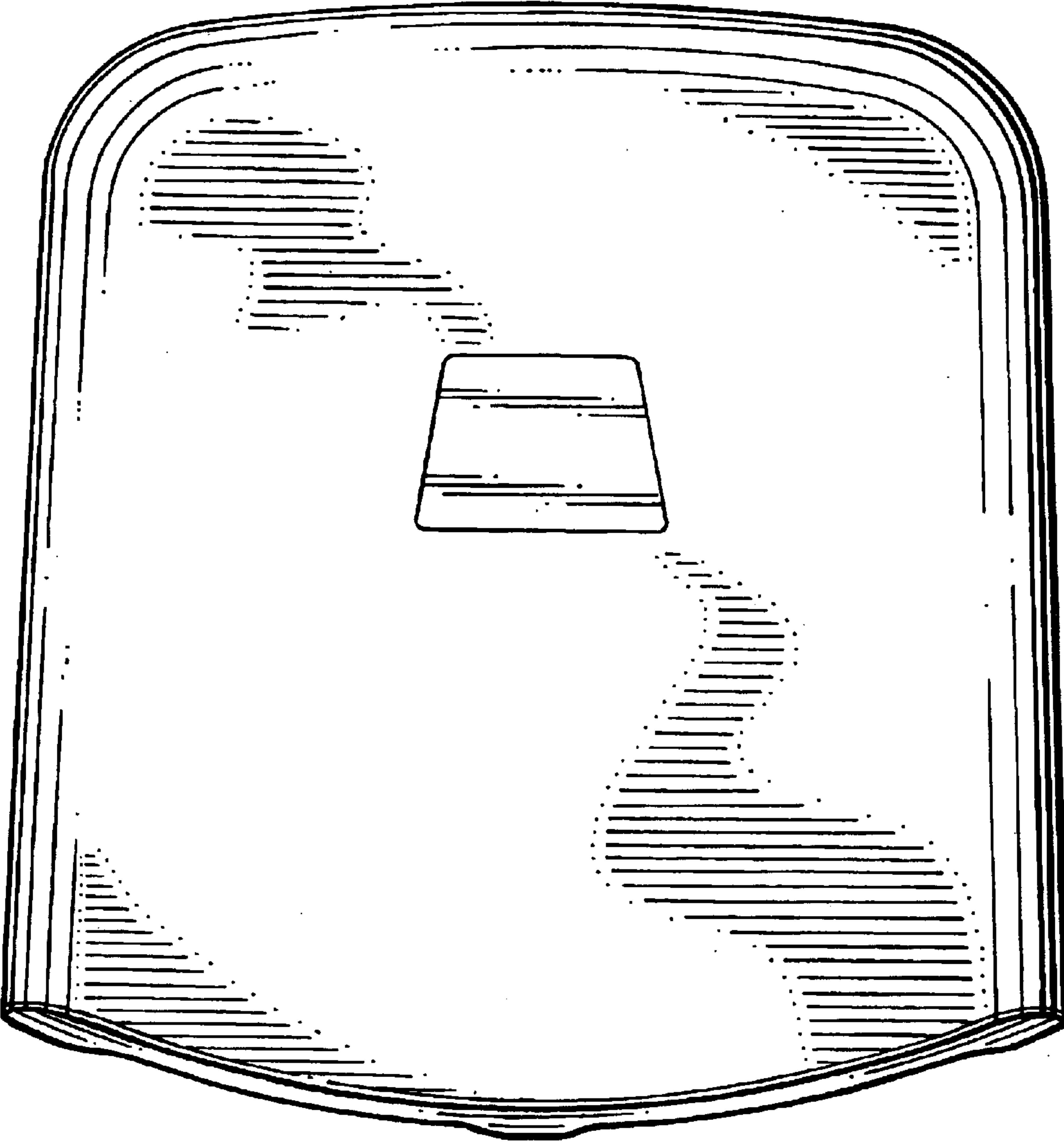


FIG. 2

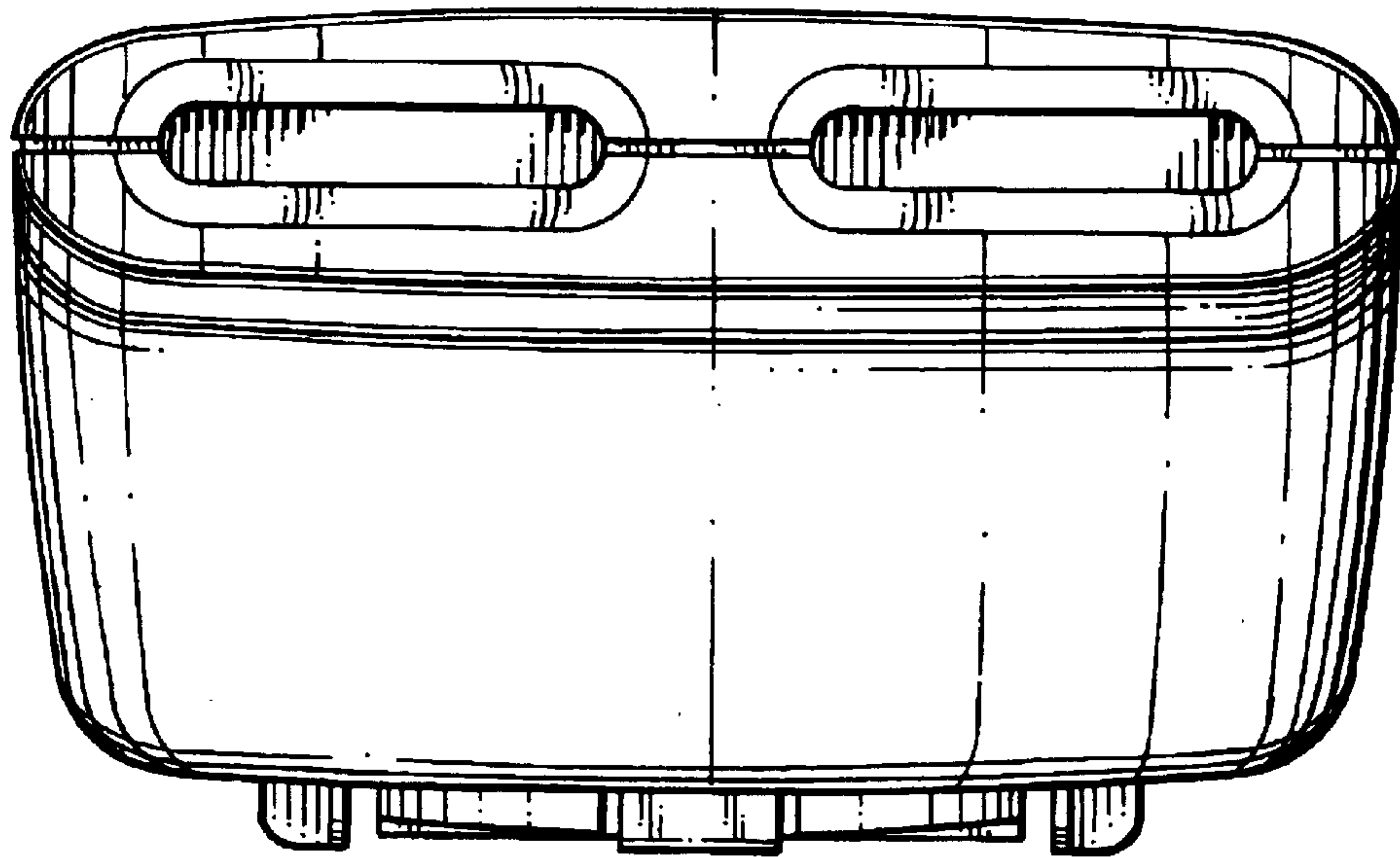


FIG. 3

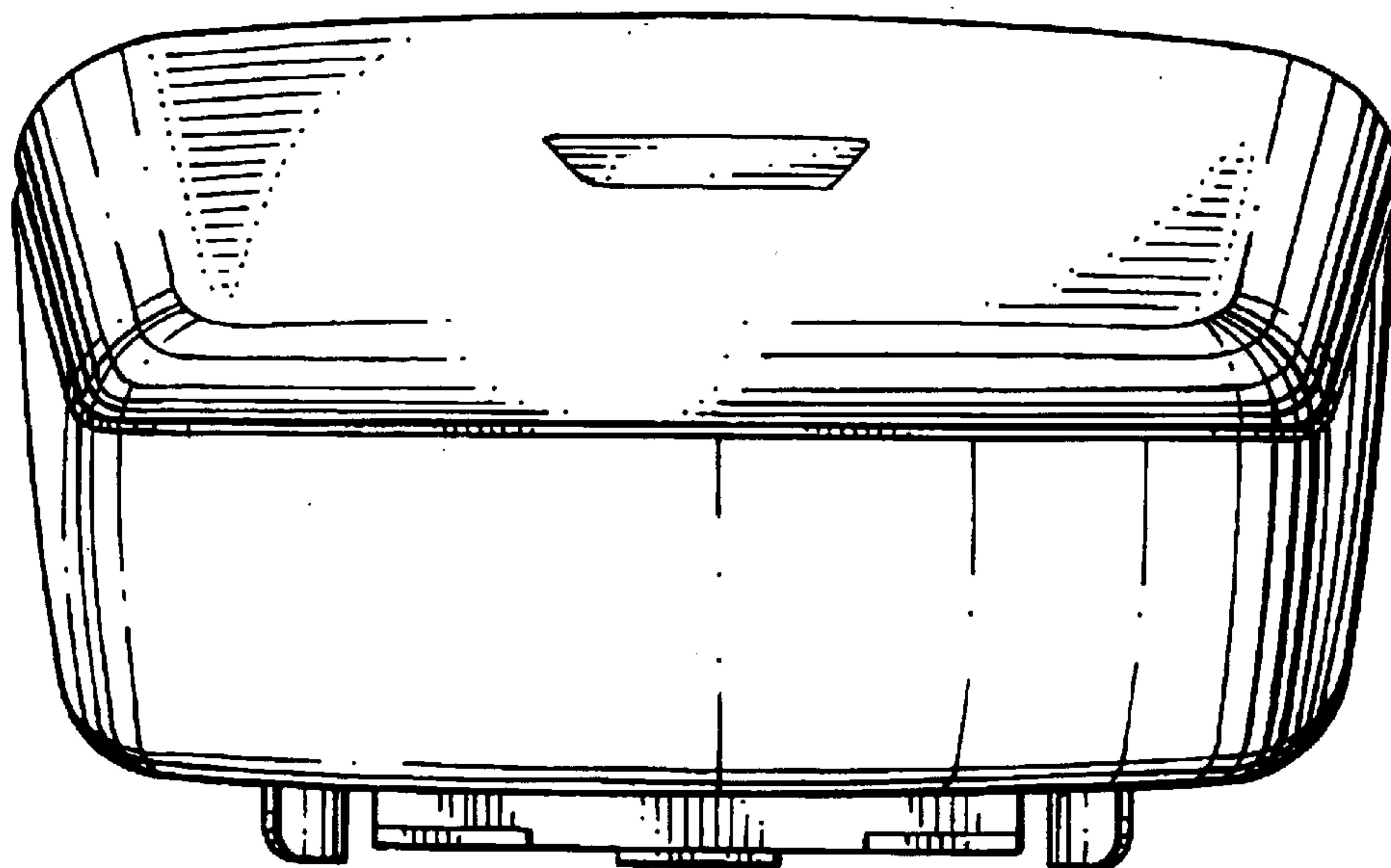


FIG. 4

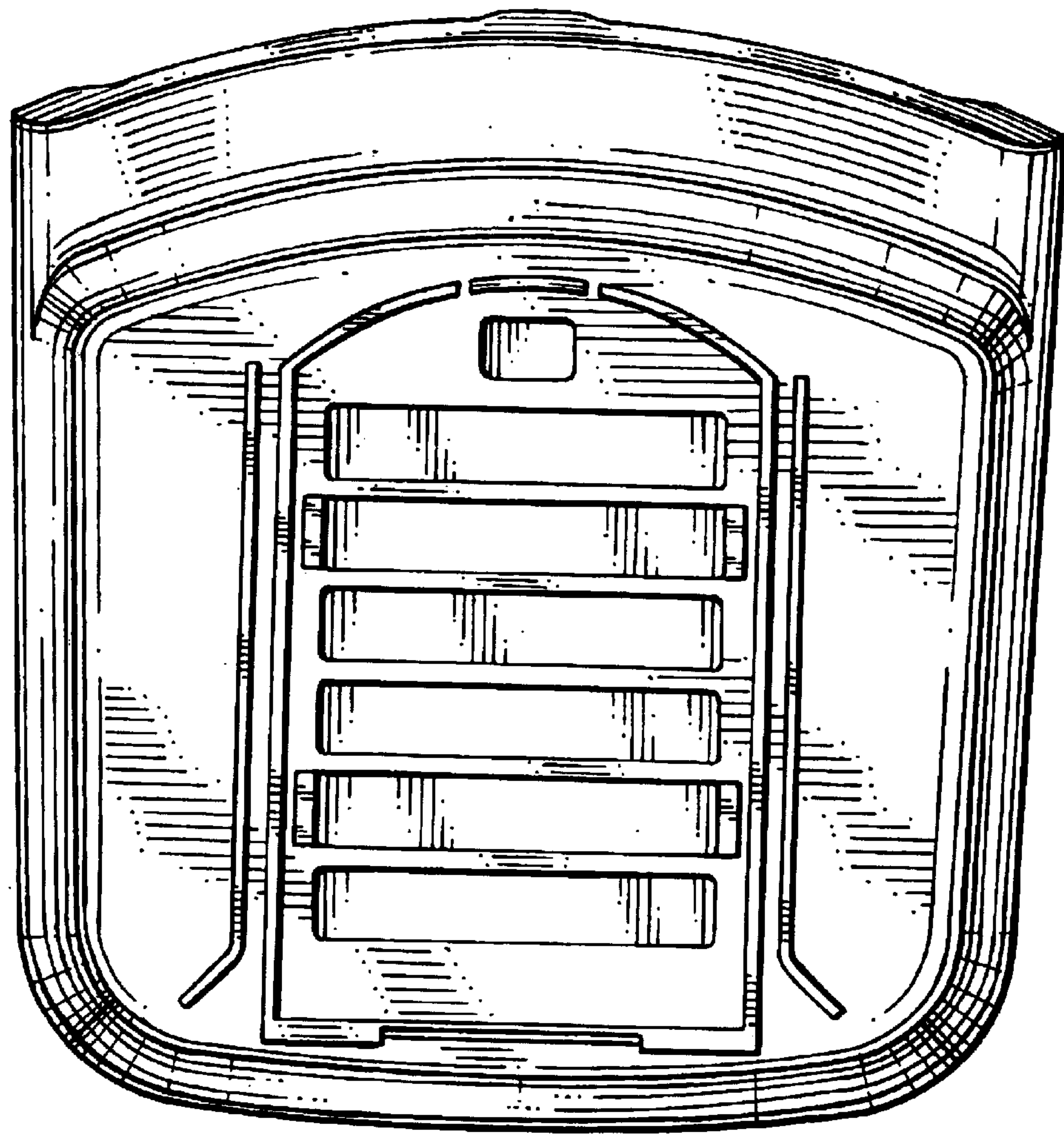


FIG. 5

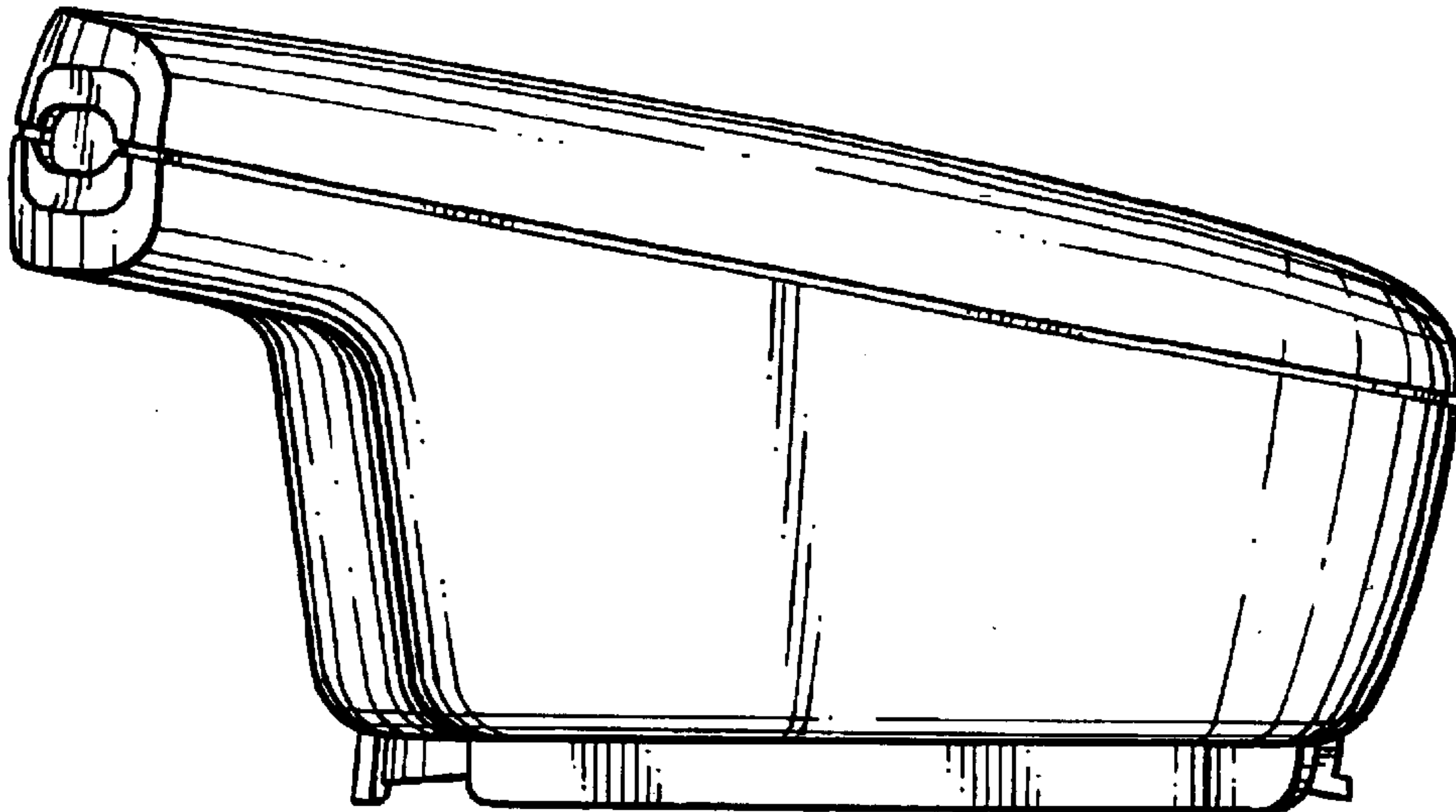


FIG. 6

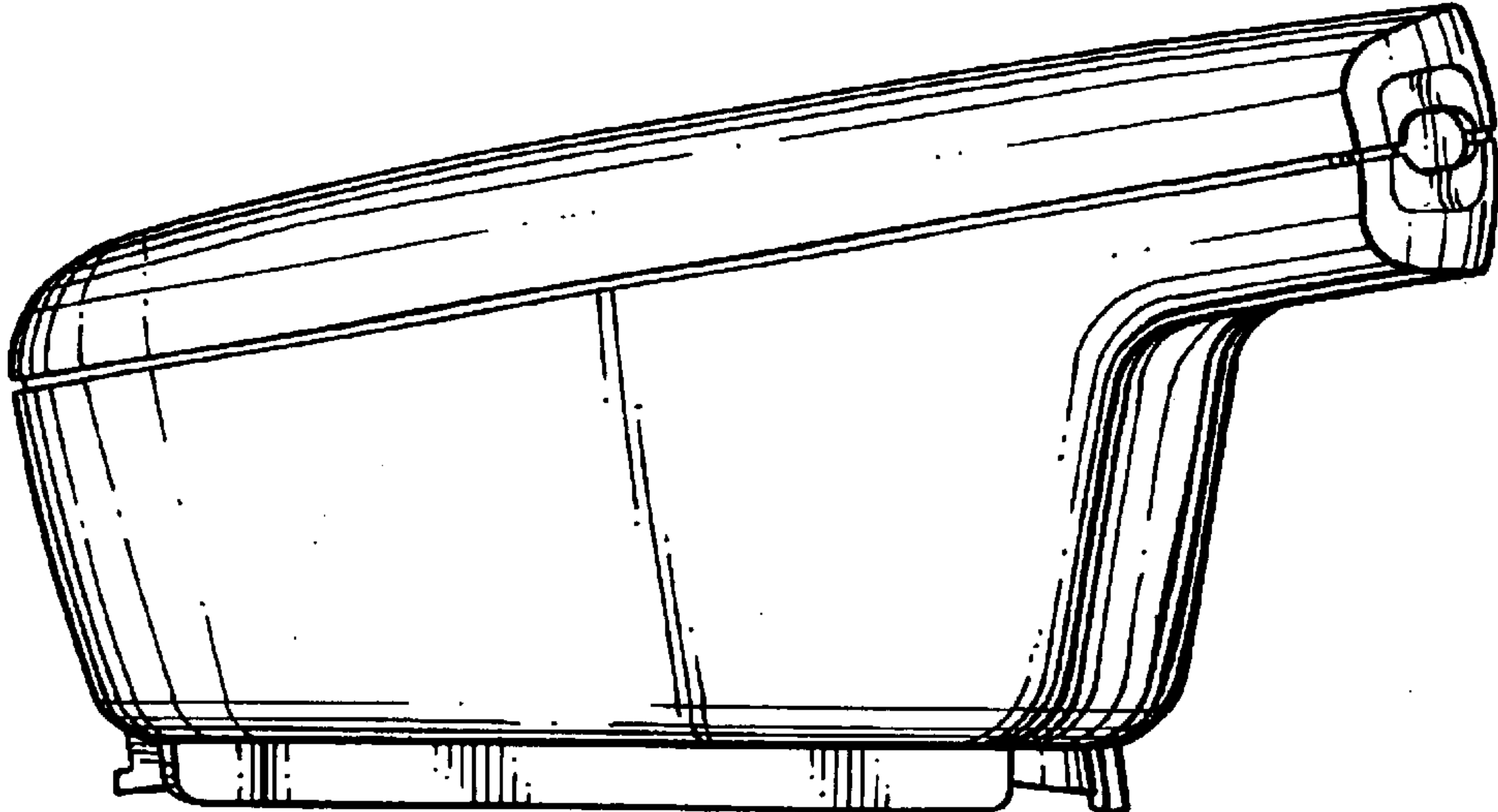


FIG. 7