

US00D497663S1

(12) **United States Design Patent** (10) **Patent No.:** **US D497,663 S**
Zieger et al. (45) **Date of Patent:** **** Oct. 26, 2004**

(54) **SLIDE BAR**

(75) Inventors: **Claus D. Zieger**, City of Industry, CA (US); **Christopher Glupker**, Van Nuys, CA (US); **Lance Hussey**, Simi Valley, CA (US); **Ravi Sawhney**, Calabasas, CA (US)

(73) Assignee: **Interbath, Inc.**, City of Industry, CA (US)

(**) Term: **14 Years**

(21) Appl. No.: **29/186,394**

(22) Filed: **Jul. 14, 2003**

(51) **LOC (7) Cl.** **23-02**

(52) **U.S. Cl.** **D23/304**

(58) **Field of Search** D23/270, 275, D23/279, 283, 303, 304; 4/552, 605, 596-597, 615; D8/229.1, 230.1, 230.3; D6/546-547, 549-560

(56) **References Cited**

U.S. PATENT DOCUMENTS

D387,420 S * 12/1997 Kuhne D23/304

* cited by examiner

Primary Examiner—Robert A. Delehanty

(74) *Attorney, Agent, or Firm*—Foley & Lardner LLP

(57) **CLAIM**

The ornamental design for a slide bar, as shown and described.

DESCRIPTION

FIG. 1 is a front, side perspective view of a slide bar showing our new design;

FIG. 2 is a front elevation thereof;

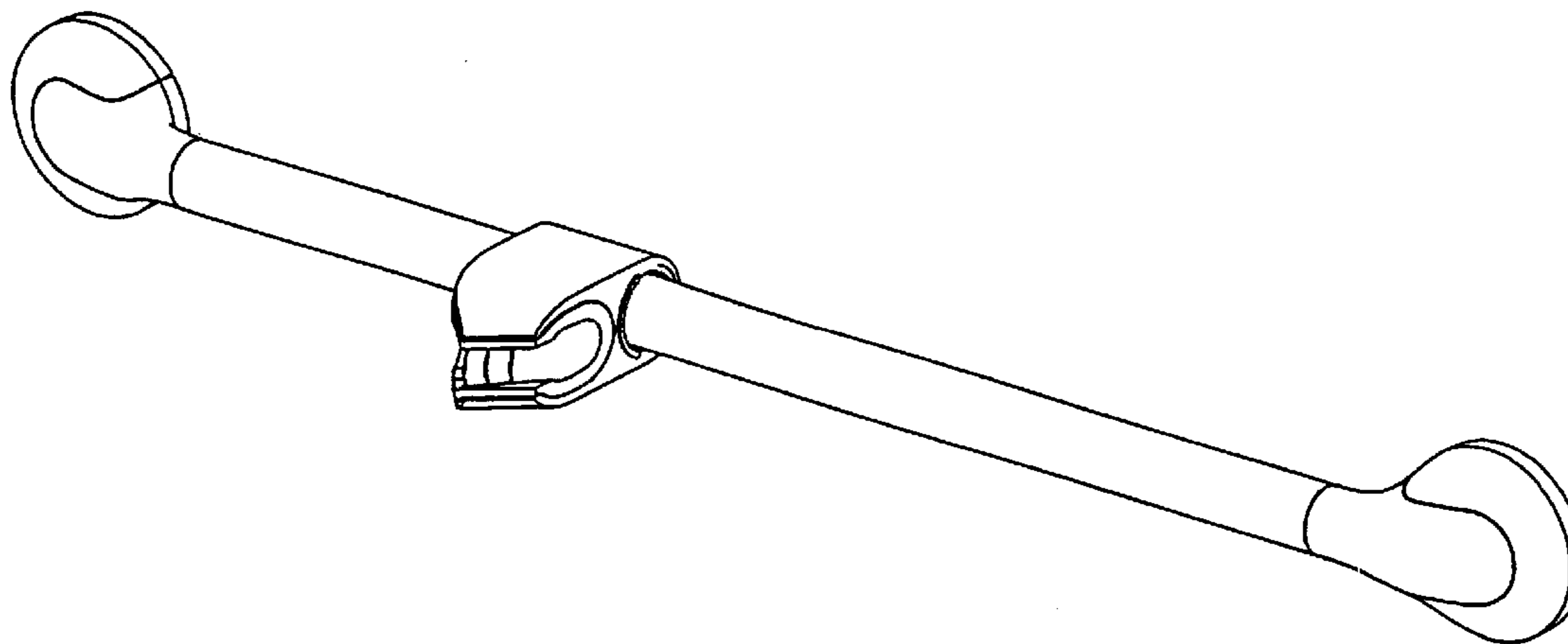
FIG. 3 is a top plan view thereof;

FIG. 4 is a bottom plan view thereof;

FIG. 5 is a right side elevation view thereof; and,

FIG. 6 is a left side elevation view thereof.

1 Claim, 6 Drawing Sheets



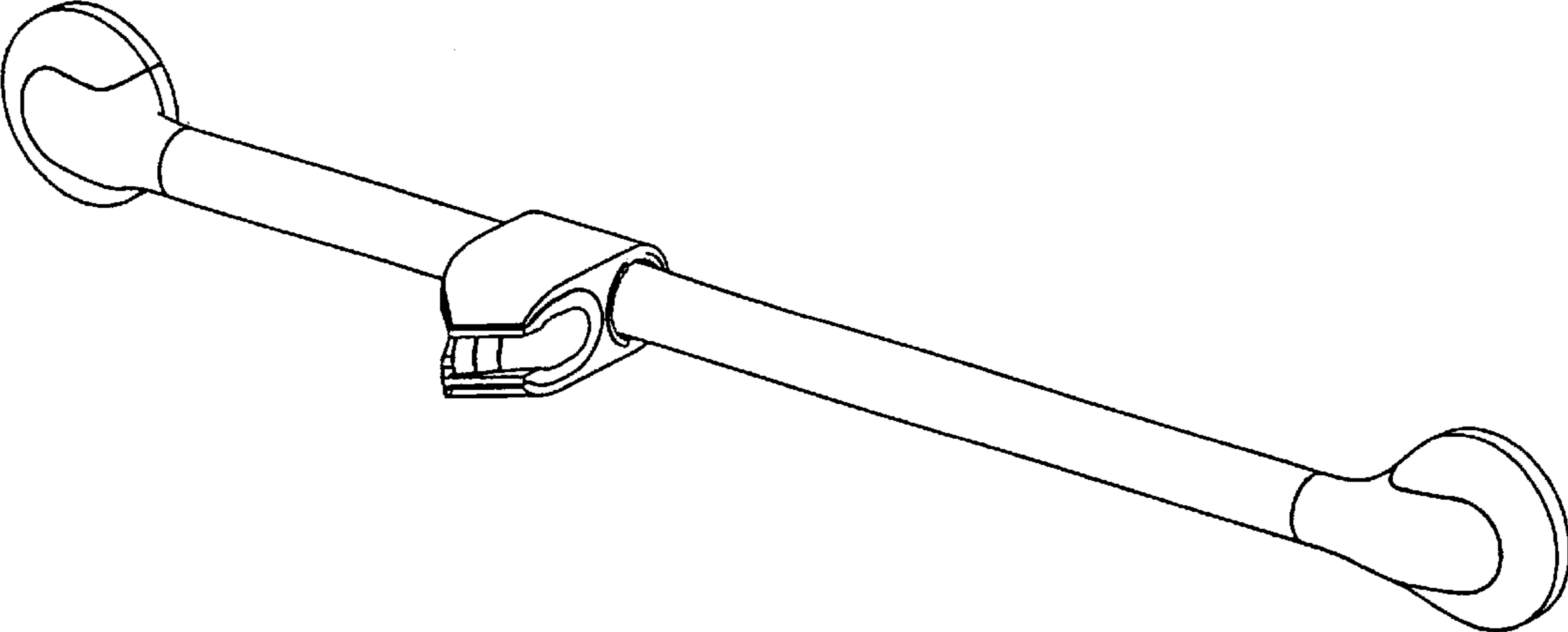


Figure 1

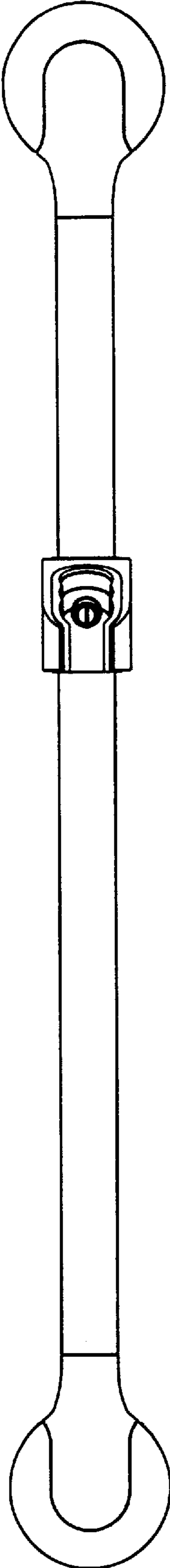


Figure 2

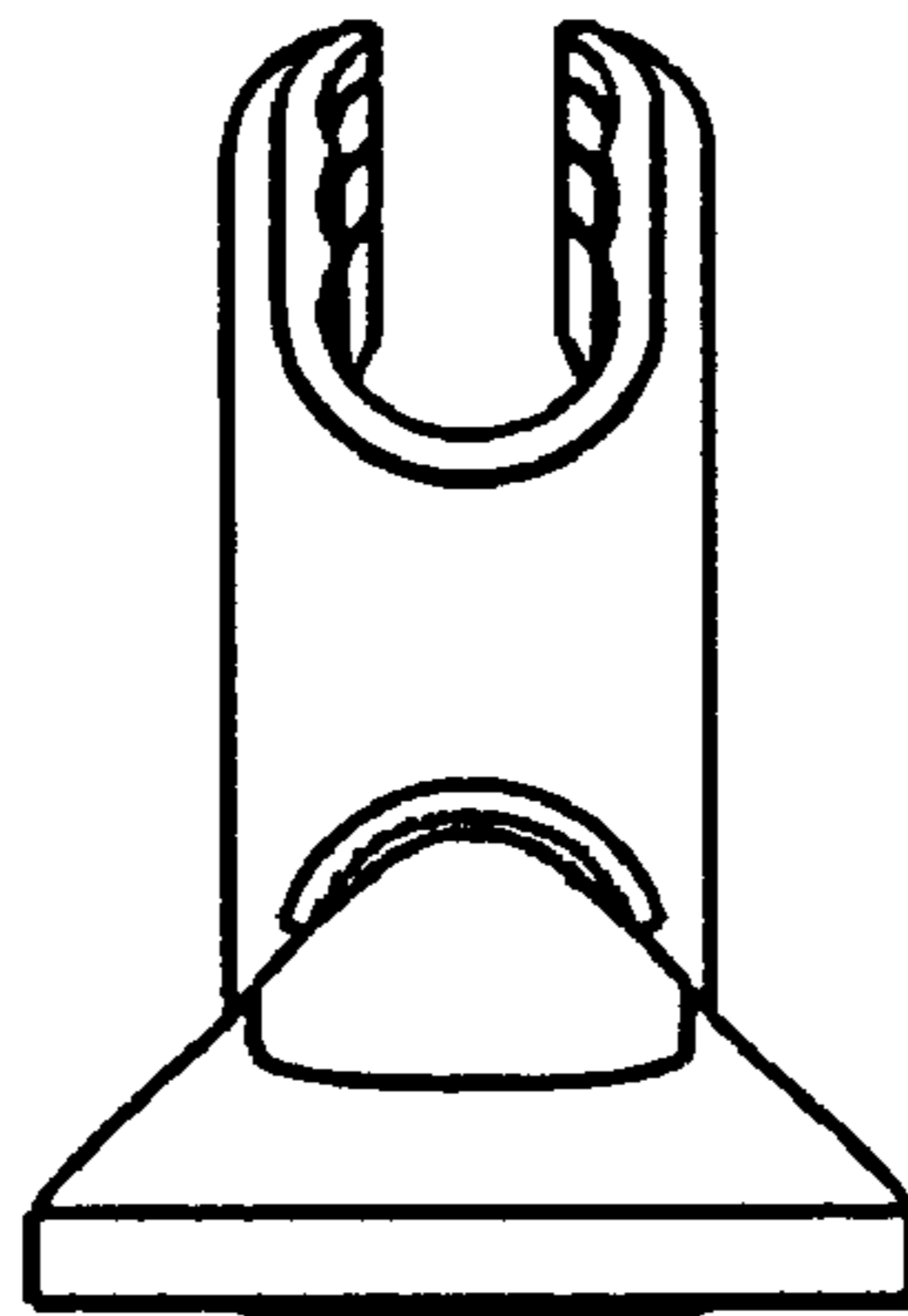


Figure 3

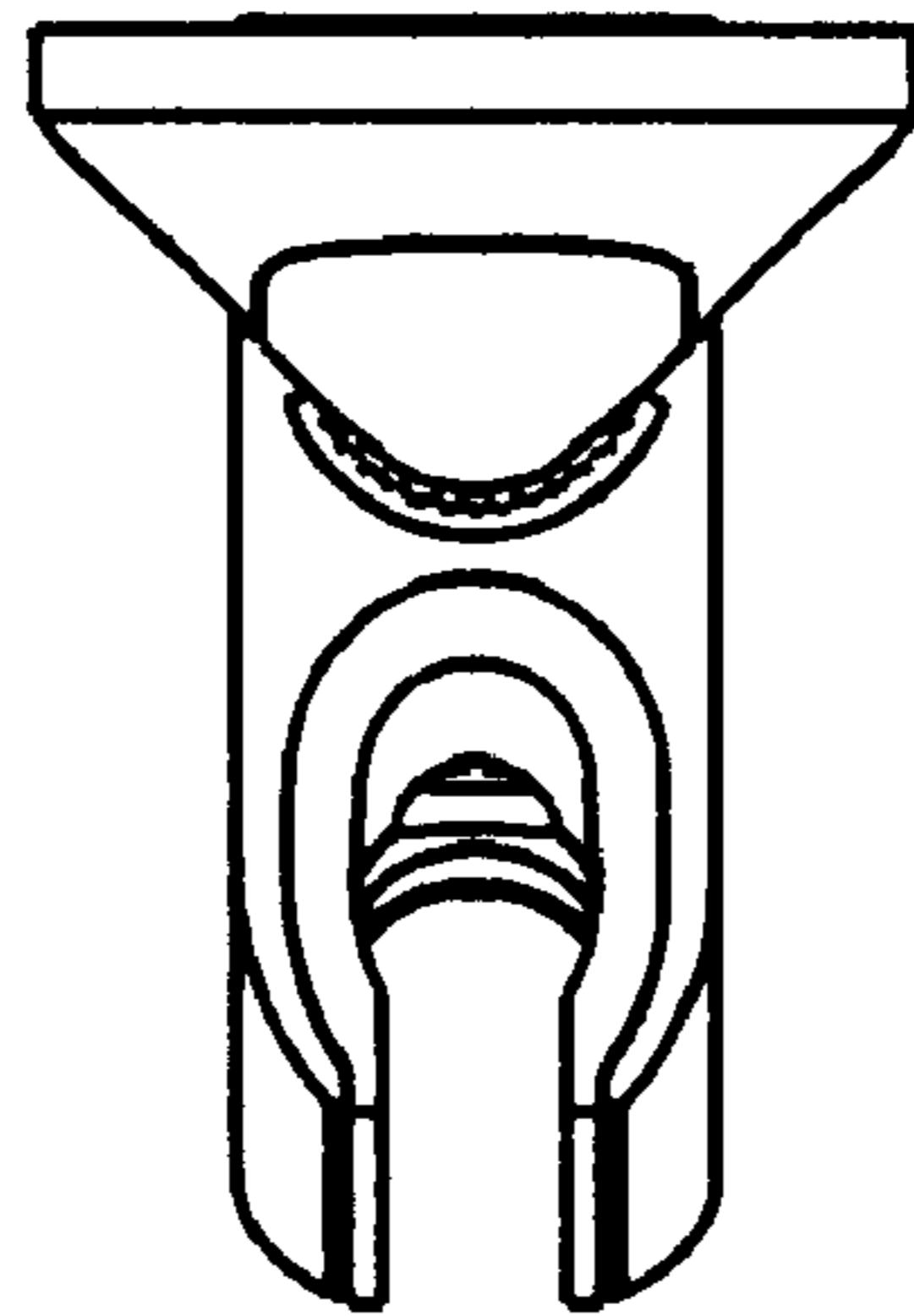


Figure 4

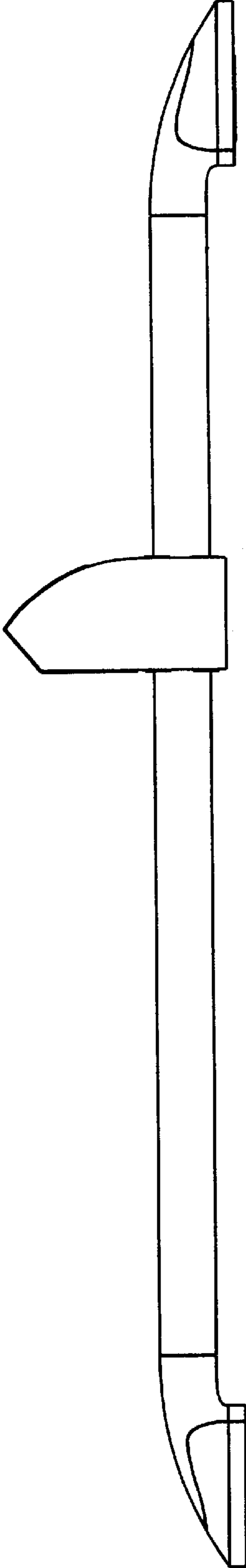


Figure 5

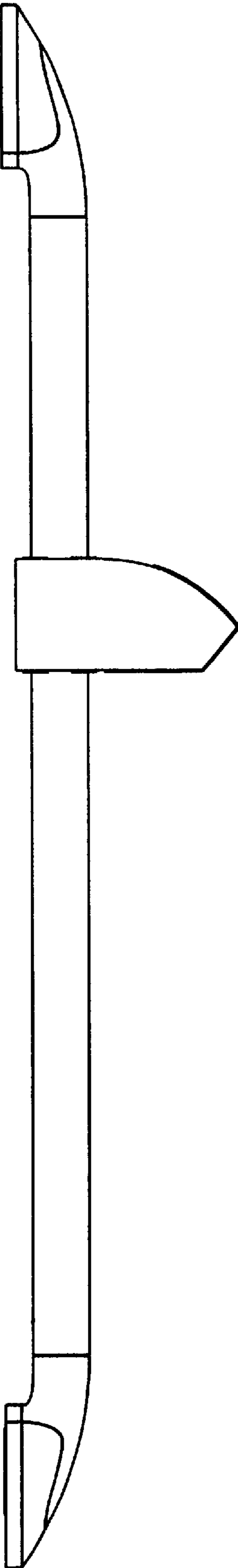


Figure 6