

US00D497662S1

(12) **United States Design Patent**
Gross et al.

(10) **Patent No.:** **US D497,662 S**
(45) **Date of Patent:** **** Oct. 26, 2004**

(54) **SINK**

D387,173 S * 12/1997 Jeans D23/284
D471,263 S * 3/2003 Bayer et al. D23/293.1

(75) Inventors: **Wolfgang Gross**, Moehlin (CH); **Max Ris**, Olten (CH); **Jay Beaumont**, Jenkintown, PA (US); **Ronald Lemme**, Hellertown, PA (US)

* cited by examiner

Primary Examiner—Robert A. Delehanty
(74) *Attorney, Agent, or Firm*—Akin Gump Strauss Hauer & Feld, LLP

(73) Assignee: **Niro-Plan AG**, Aarburg (CH)

(**) Term: **14 Years**

(57) **CLAIM**

The ornamental design for a sink, as shown and described.

(21) Appl. No.: **29/188,146**

(22) Filed: **Aug. 13, 2003**

DESCRIPTION

(51) **LOC (7) Cl.** **23-02**

(52) **U.S. Cl.** **D23/284**

(58) **Field of Search** D23/271, 273,
D23/284–286, 293.1, 303, 308; 4/630–642,
661, 663–665, 619, 645–646, 650–652;
D2/289–292

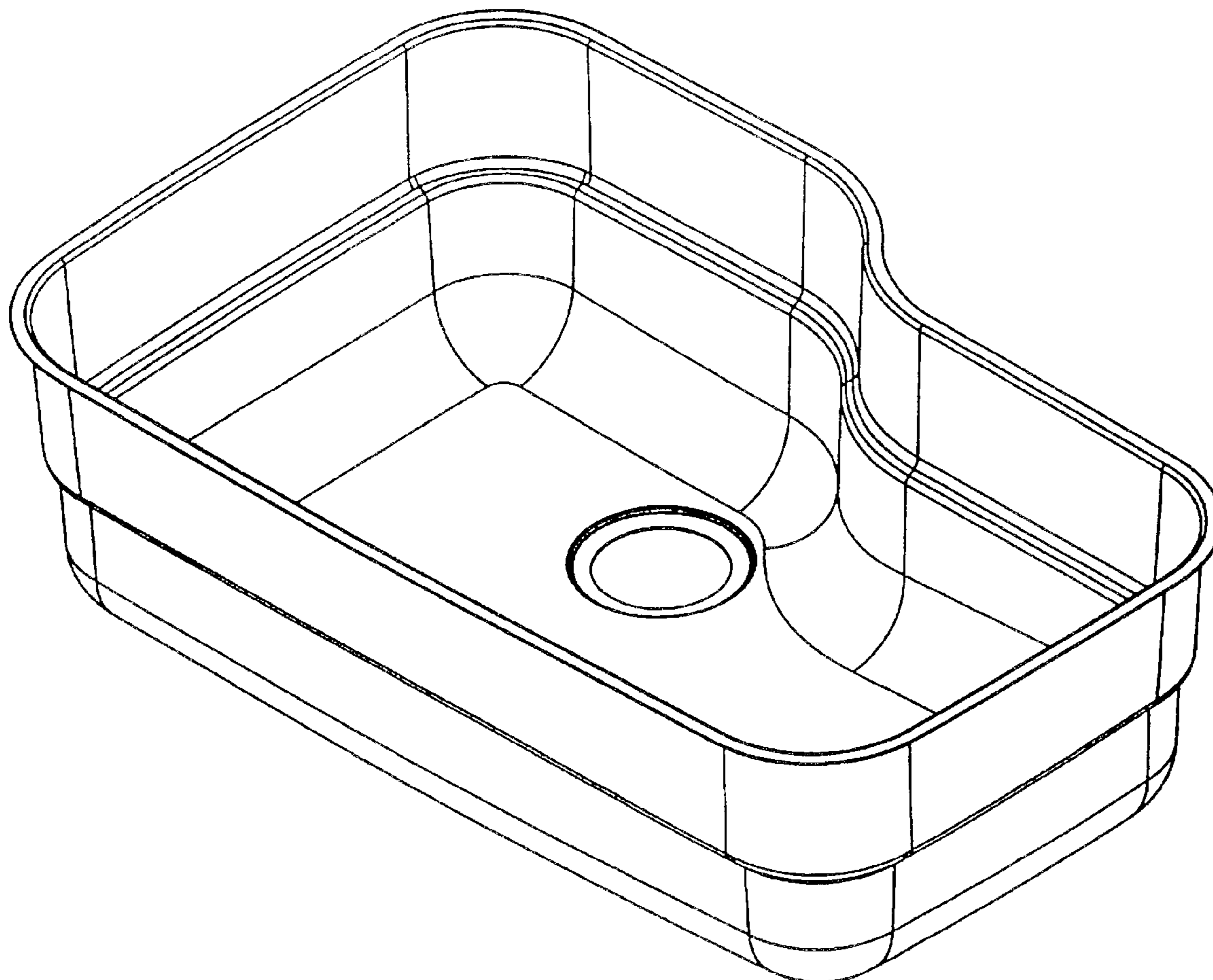
FIG. 1 is an upper perspective view of a first embodiment of a sink in accordance with my new design;
FIG. 2 is a top plan view thereof;
FIG. 3 is a bottom plan view thereof;
FIG. 4 is a front elevational view thereof;
FIG. 5 is a rear elevational view thereof;
FIG. 6 is a left side elevational view thereof; and,
FIG. 7 is a right side elevational view thereof.

(56) **References Cited**

U.S. PATENT DOCUMENTS

D353,878 S * 12/1994 Hauser, II D23/284

1 Claim, 6 Drawing Sheets



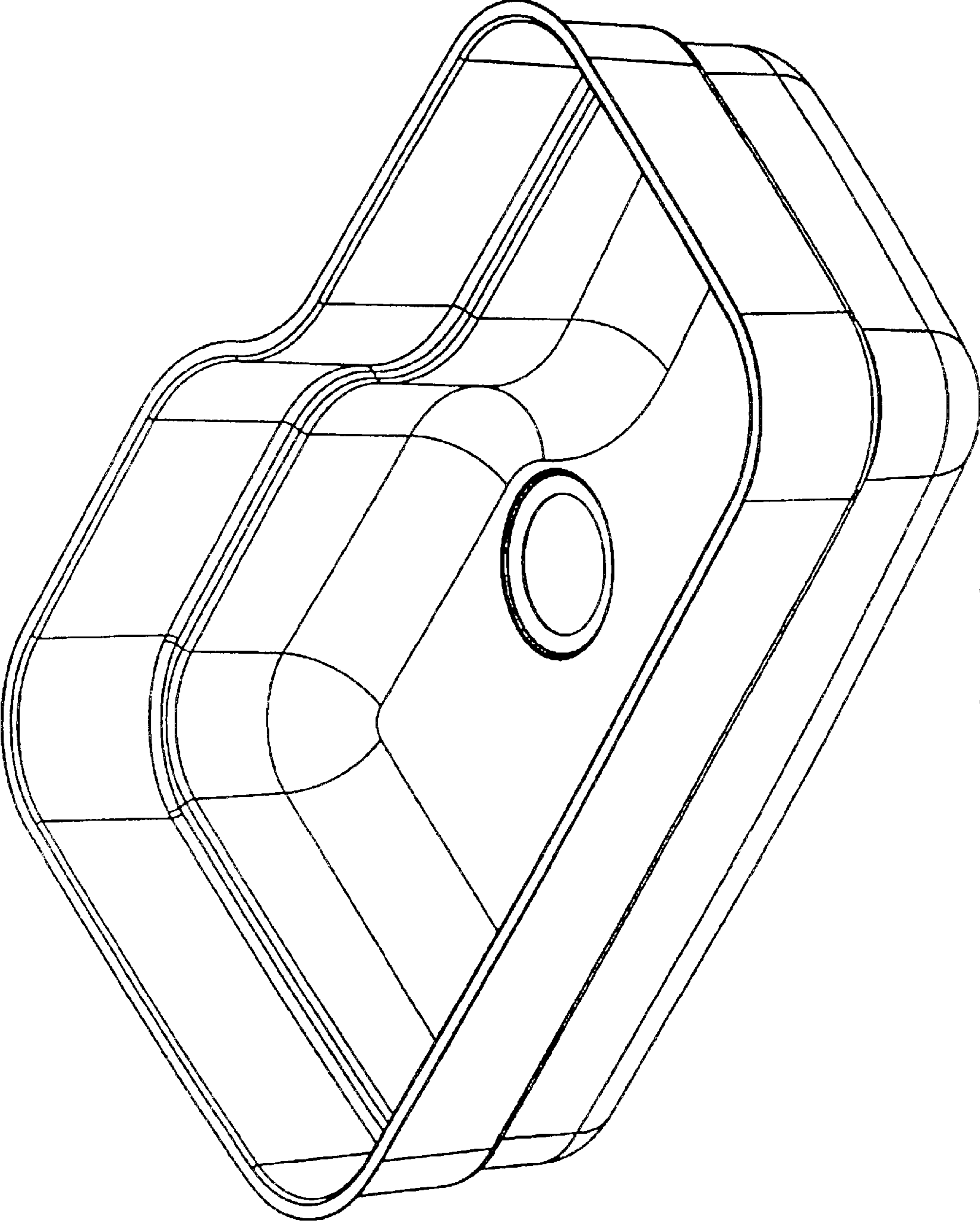


Fig. 1

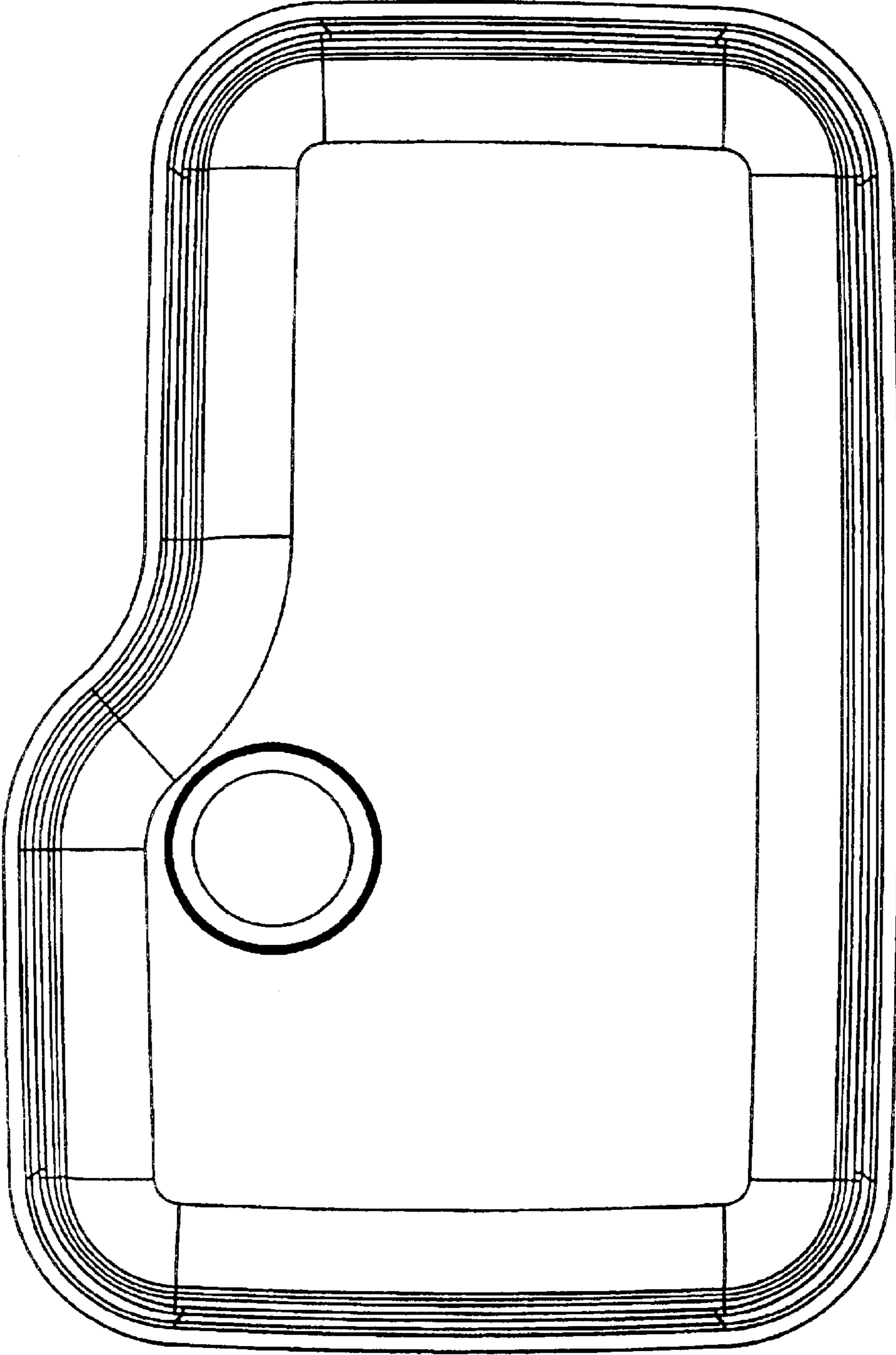


Fig. 2

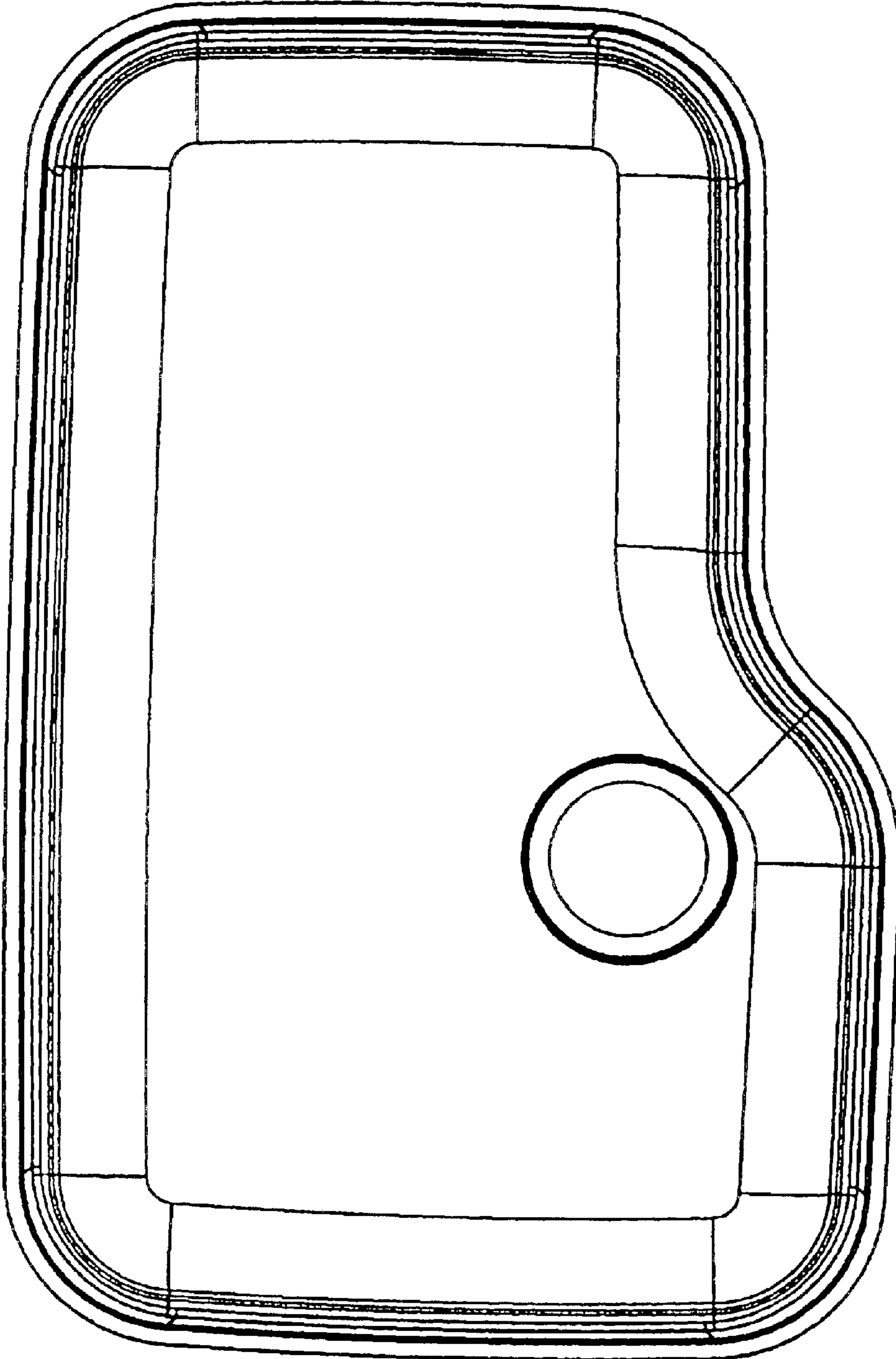


Fig. 3

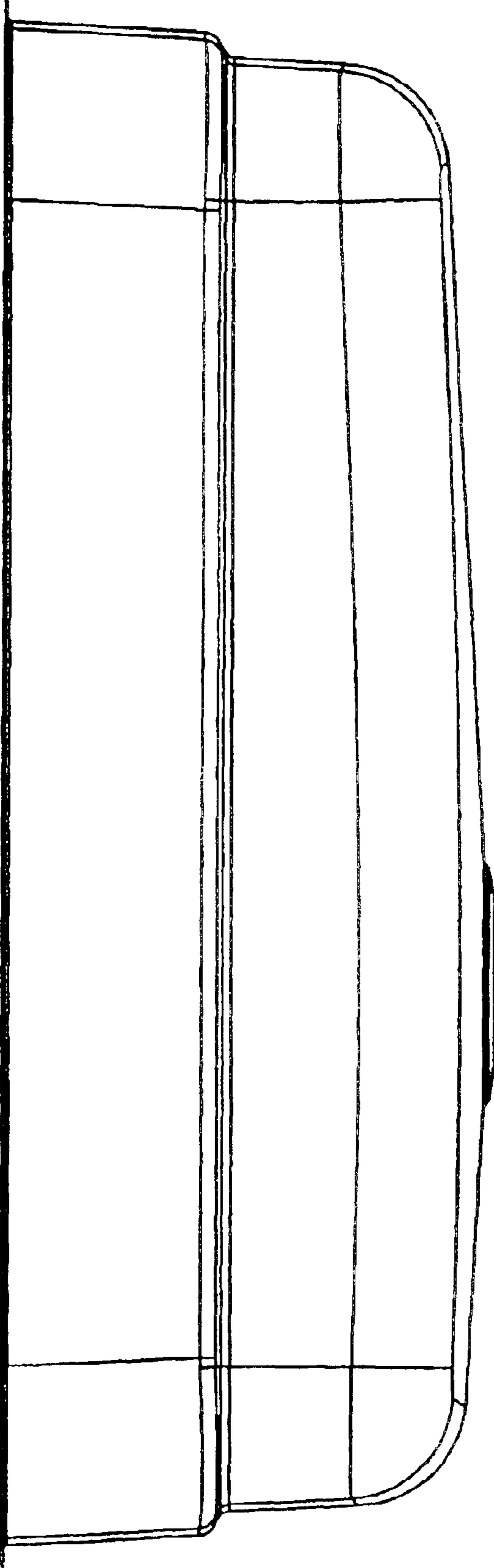


Fig. 4

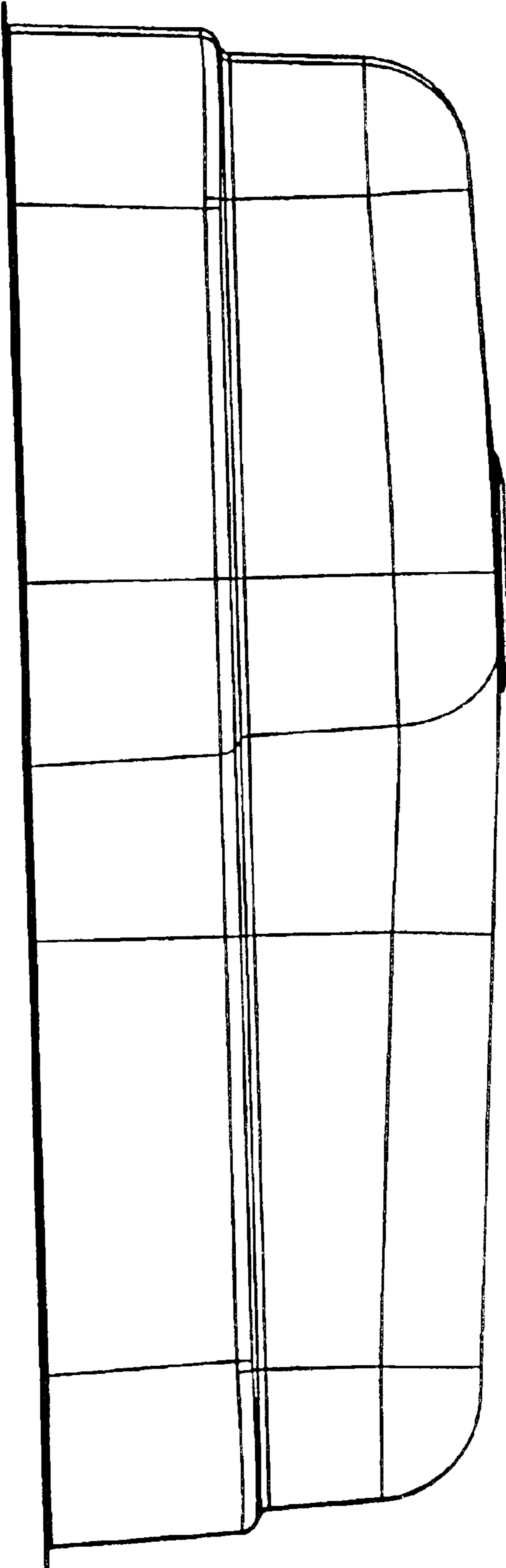


Fig. 5

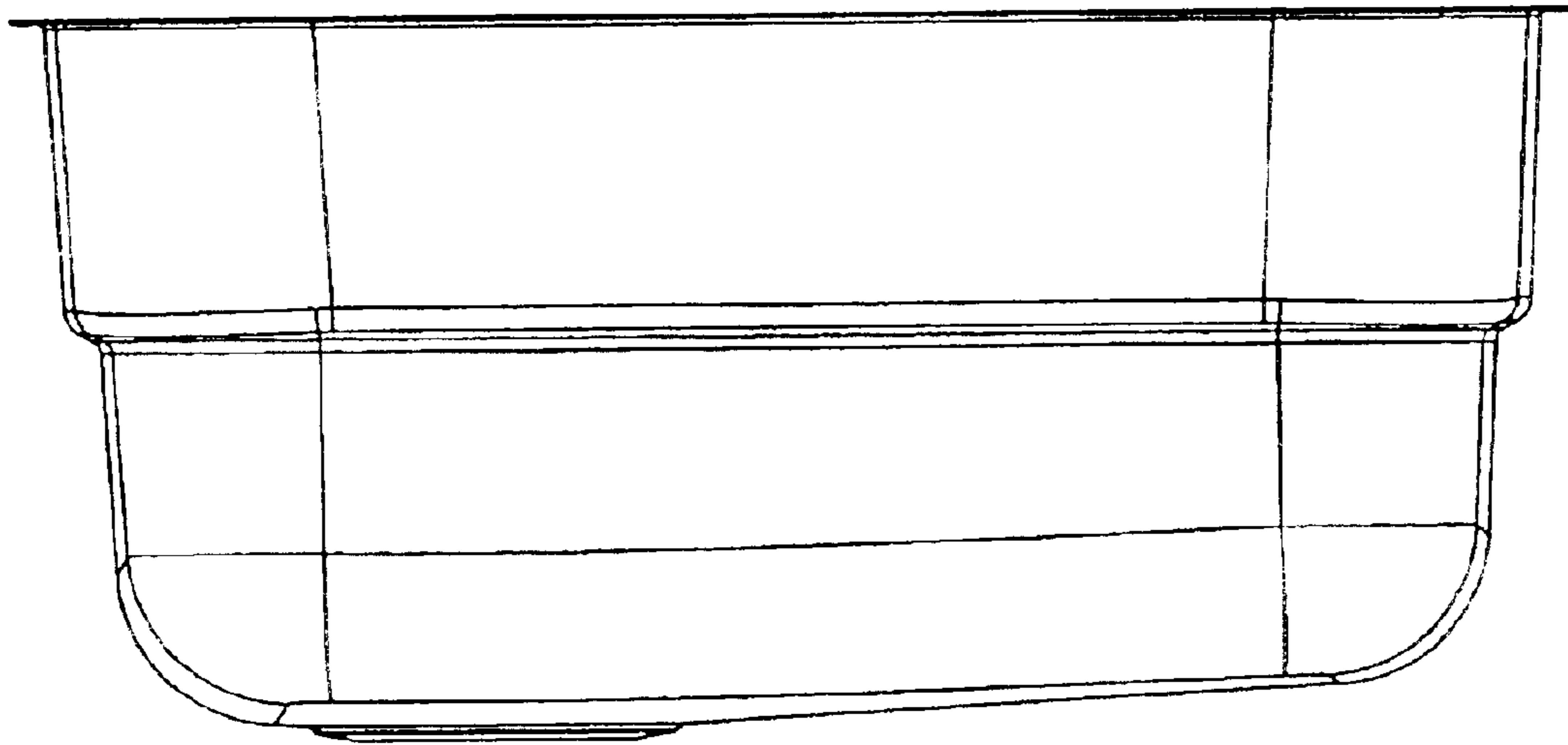


Fig. 6

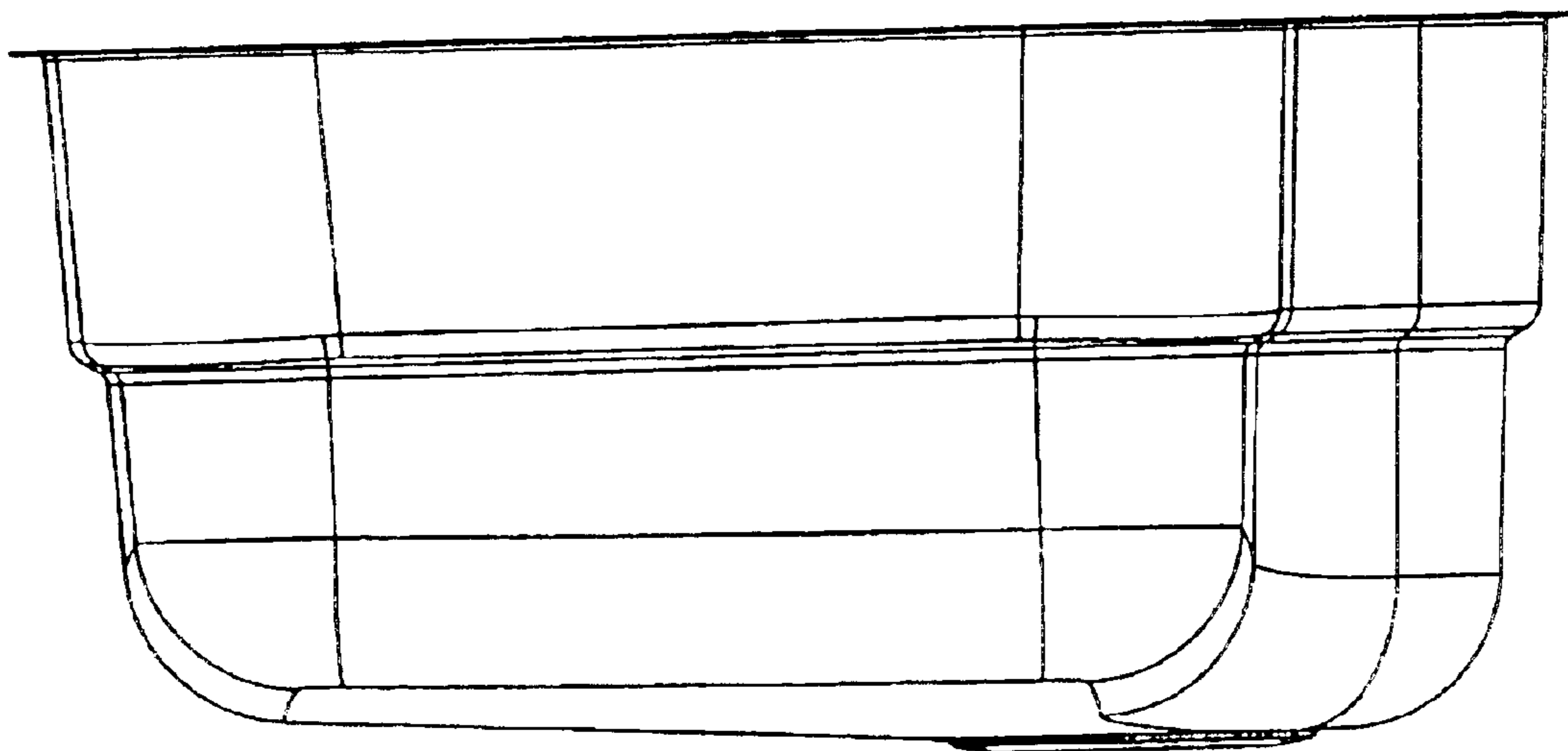


Fig. 7