

US00D497661S1

(12) **United States Design Patent**
Chen

(10) **Patent No.:** **US D497,661 S**

(45) **Date of Patent:** **** Oct. 26, 2004**

(54) **PAINT SPRAY GUN**

D409,719 S * 5/1999 Kaneko D23/226

(76) **Inventor:** **Jui Chuan Chen**, No. 1, Alley 16,
Lane 40, Jinn Te Road, Taichung (TW)

* cited by examiner

Primary Examiner—Robin V. Taylor

(**) **Term:** **14 Years**

(57) **CLAIM**

(21) **Appl. No.:** **29/190,538**

The ornamental design for a paint spray gun, as shown and described.

(22) **Filed:** **Sep. 16, 2003**

(51) **LOC (7) Cl.** **23-01**

(52) **U.S. Cl.** **D23/226**

(58) **Field of Search** D23/213, 223,
D23/226; 239/690, 691, 525, 526

DESCRIPTION

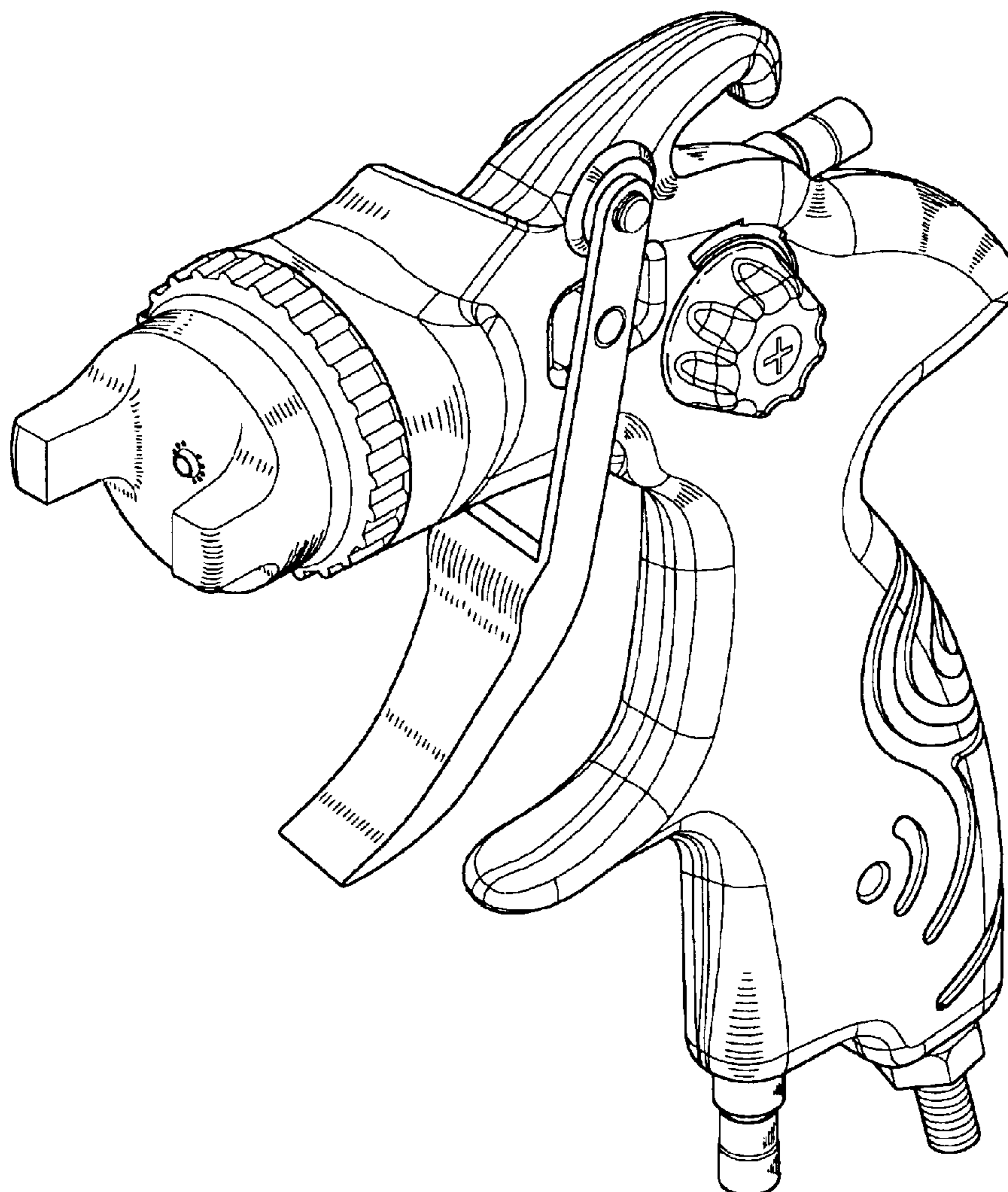
FIG. 1 is a front-right-top perspective view of a paint spray gun, showing my new design;
FIG. 2 is a front elevational view thereof;
FIG. 3 is a rear elevational view thereof;
FIG. 4 is a left side elevational view thereof;
FIG. 5 is a right side elevational view thereof;
FIG. 6 is a top plan view thereof; and,
FIG. 7 is a bottom plan view thereof.

(56) **References Cited**

U.S. PATENT DOCUMENTS

- D122,045 S * 8/1940 Potter D23/226
- D295,548 S * 5/1988 Dalton D23/226
- D305,453 S * 1/1990 Morgan D23/226
- D314,421 S * 2/1991 Tajima et al. D23/226

1 Claim, 7 Drawing Sheets



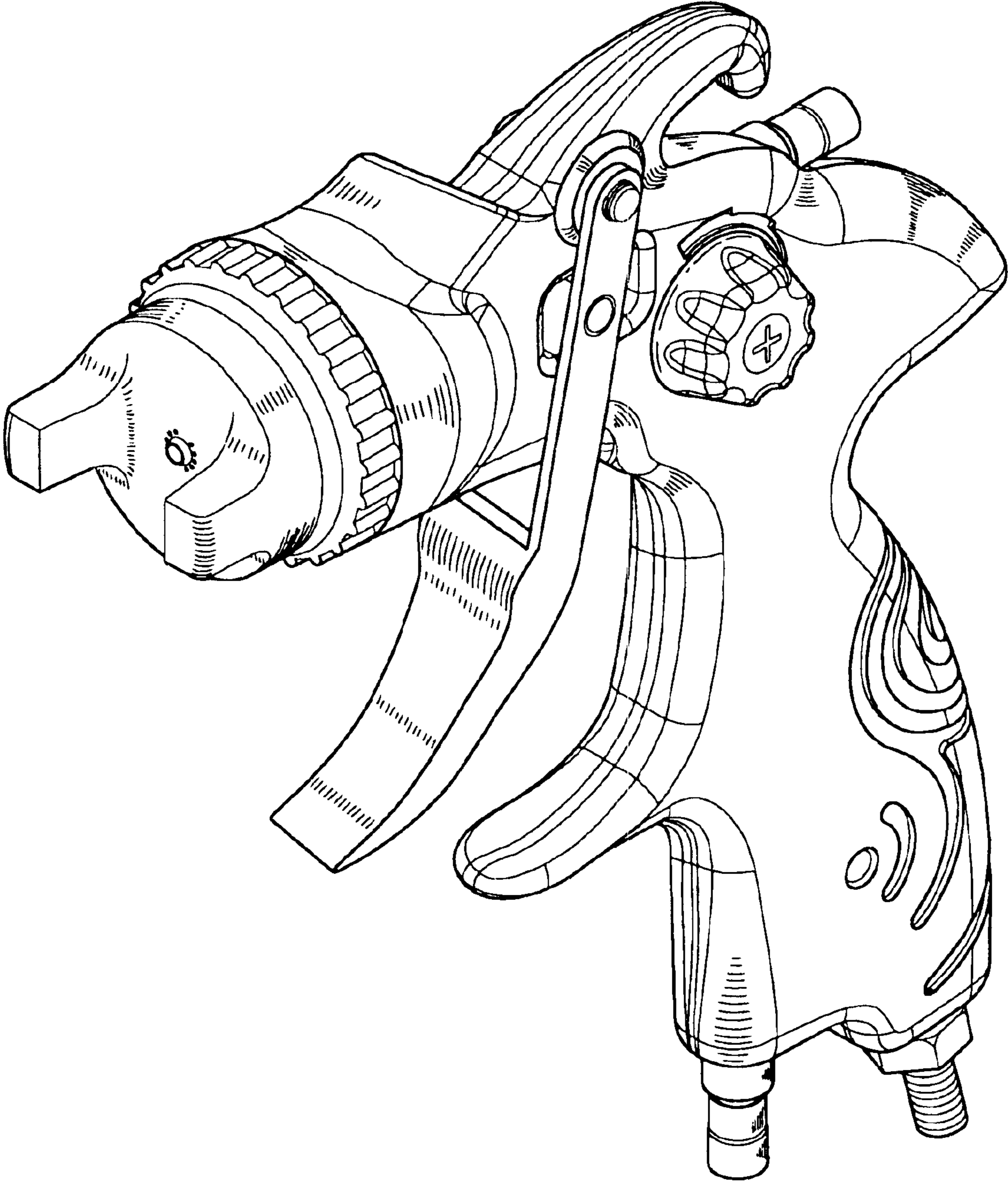


FIG. 1

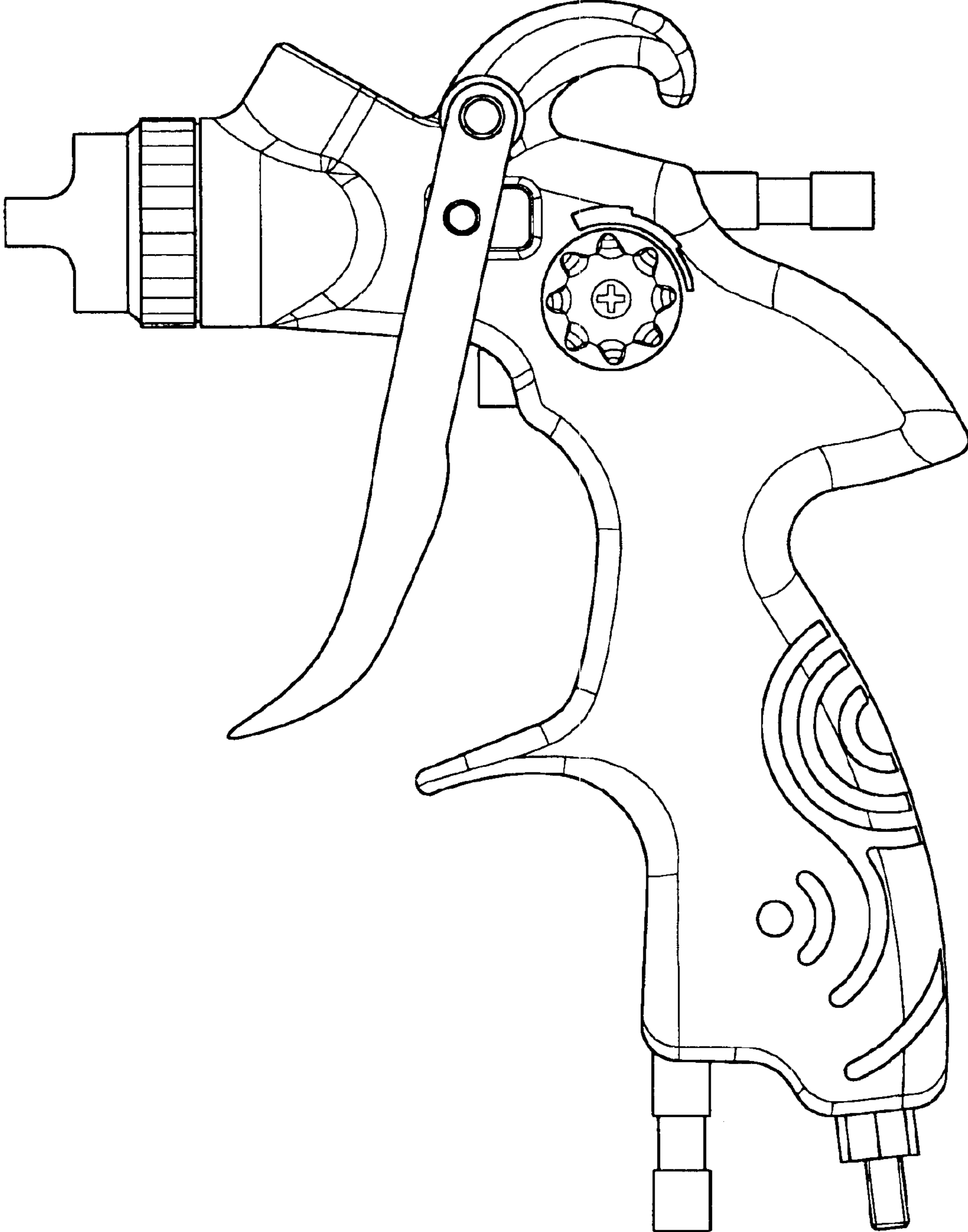


FIG.2

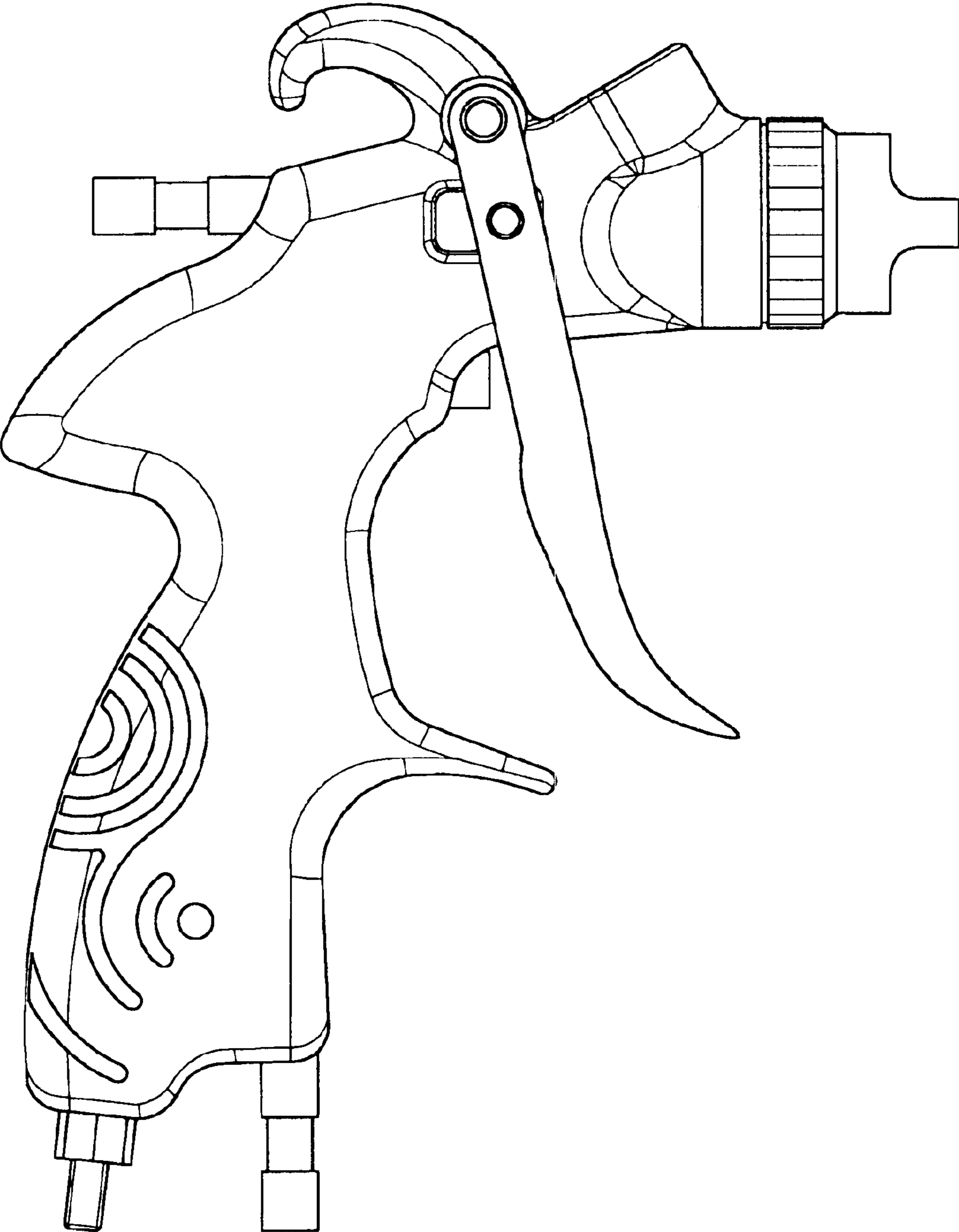


FIG.3

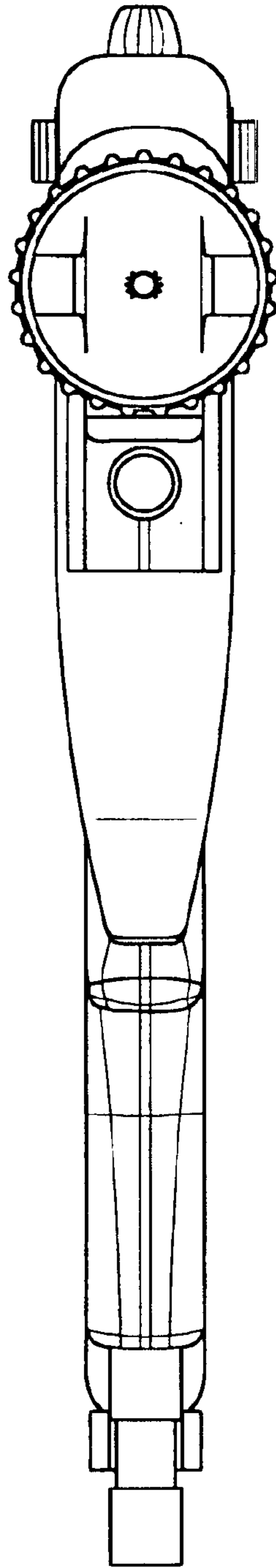


FIG.4

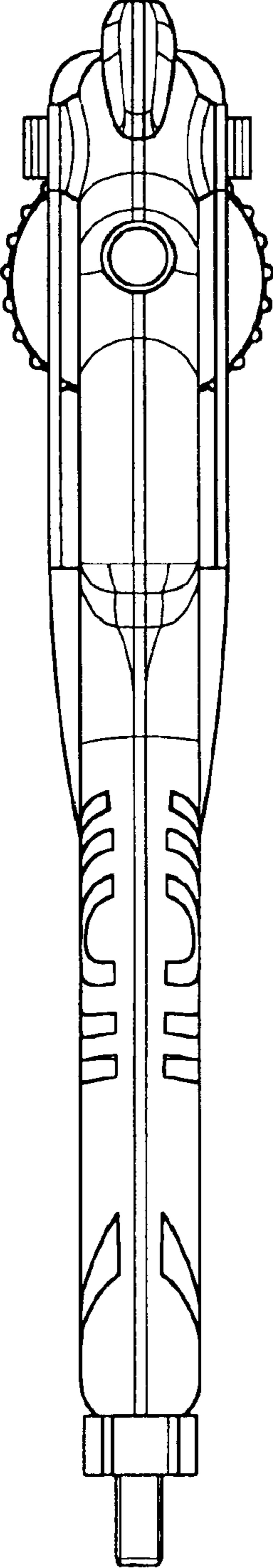


FIG.5

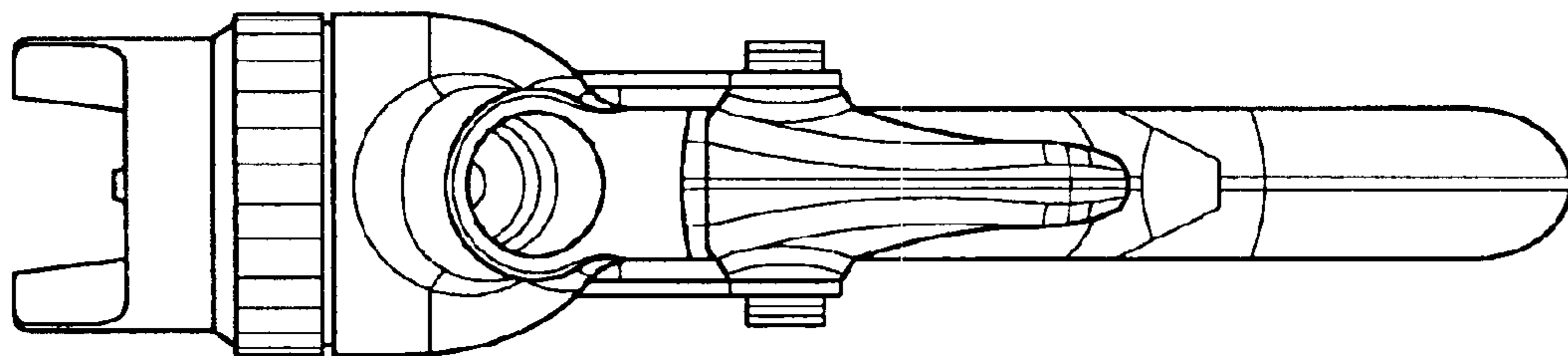


FIG.6

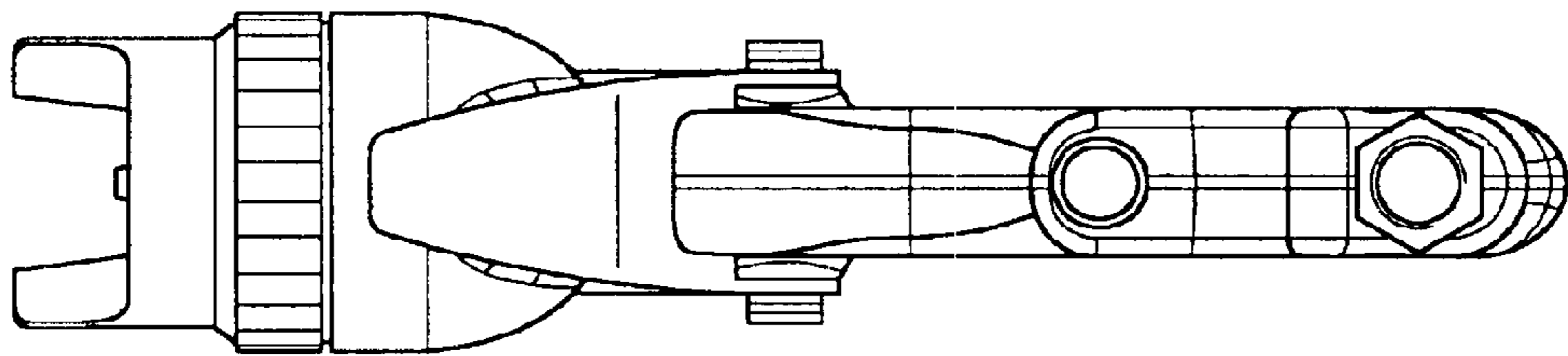


FIG.7