

US00D497655S1

(12) **United States Design Patent**  
**Frisina**

(10) **Patent No.:** **US D497,655 S**  
(45) **Date of Patent:** **\*\* Oct. 26, 2004**

(54) **FOOTBALL**

**FOREIGN PATENT DOCUMENTS**

(75) **Inventor:** **Ralph Frisina, Pittsfield, MA (US)**

JP 06315546 A \* 11/1994 ..... A63B/41/00

(73) **Assignee:** **Russell Asset Management, Inc.,  
Wilmington, DE (US)**

\* cited by examiner

(\*\*) **Term:** **14 Years**

*Primary Examiner*—Stella Reid

*Assistant Examiner*—C. Tuttle

(21) **Appl. No.:** **29/201,559**

(74) *Attorney, Agent, or Firm*—James W. Kayden; Thomas, Kayden, Horstemeyer & Risley, LLP

(22) **Filed:** **Mar. 17, 2004**

(57) **CLAIM**

(51) **LOC (7) Cl.** ..... **21-02**

The ornamental design of a football, as shown and described.

(52) **U.S. Cl.** ..... **D21/712**

(58) **Field of Search** ..... D21/707-714;  
473/569-614; 40/327

**DESCRIPTION**

(56) **References Cited**

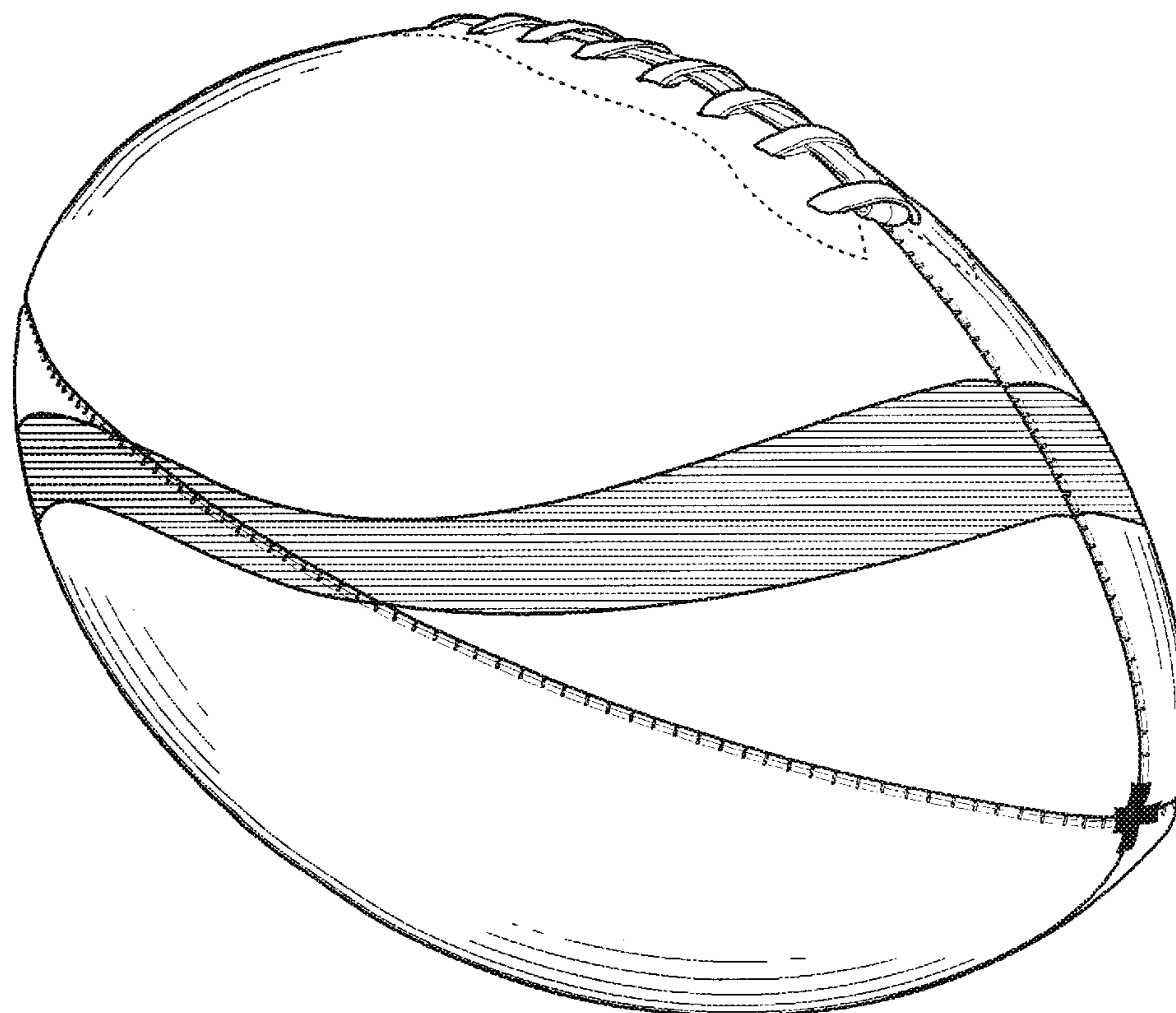
**U.S. PATENT DOCUMENTS**

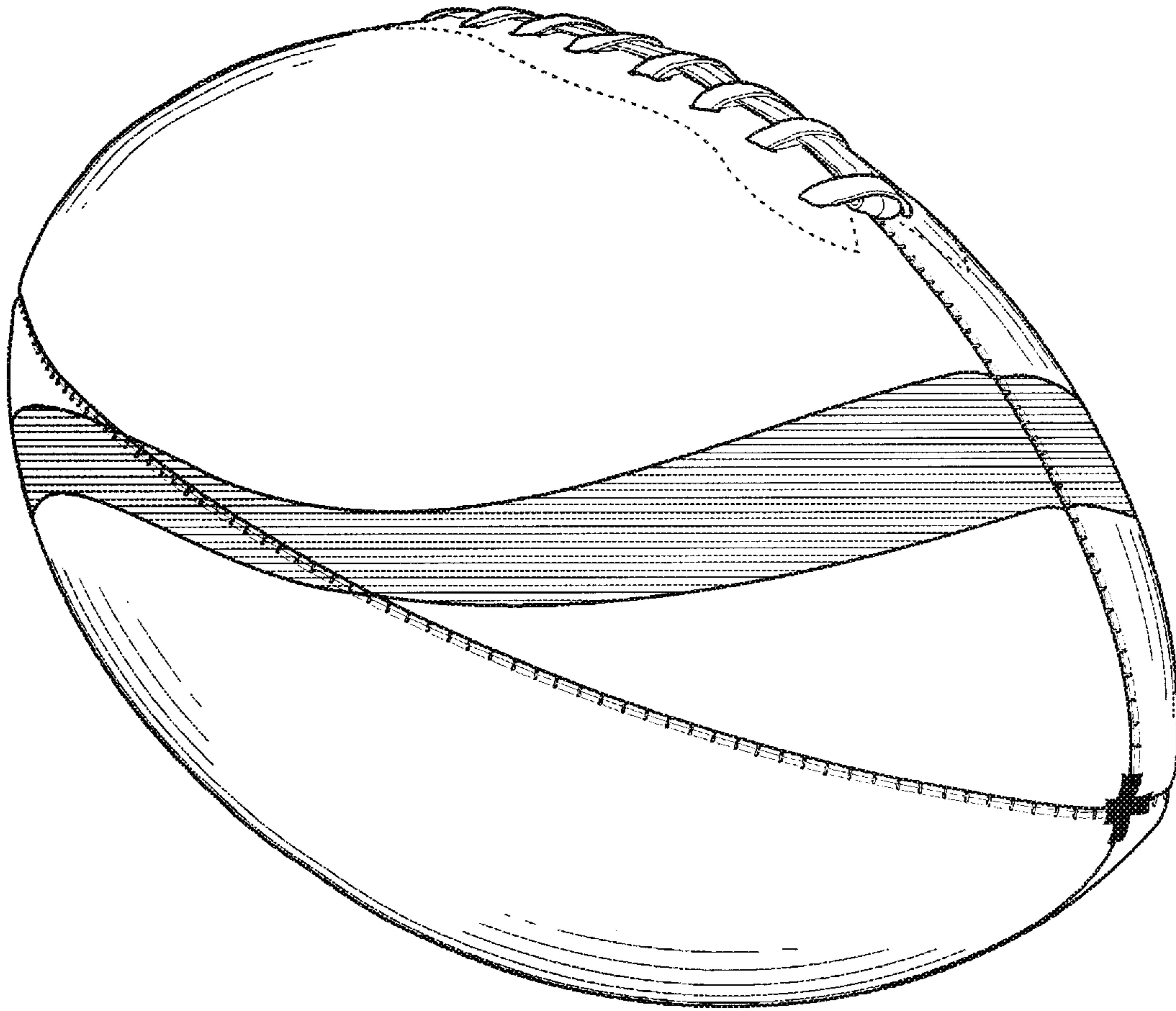
676,506 A *	6/1901	Knight et al. ....	473/268
3,370,851 A *	2/1968	Thomas .....	473/438
D235,794 S *	7/1975	Kroener .....	D21/712
D354,102 S *	1/1995	Lehman .....	D21/712
D355,685 S *	2/1995	Ross .....	D21/712
D375,129 S *	10/1996	Daicos .....	D21/712
5,683,316 A *	11/1997	Campbell .....	473/570
D452,893 S *	1/2002	Frisina et al. ....	D21/712
D452,977 S *	1/2002	Frisina et al. ....	D21/712

FIG. 1 is a perspective view showing my new football;  
FIG. 2 is a left side elevational view thereof;  
FIG. 3 is a right side elevational view thereof;  
FIG. 4 is a front elevational view thereof;  
FIG. 5 is a rear elevational view thereof;  
FIG. 6 is a top plan view thereof; and,  
FIG. 7 is a bottom plan view thereof.

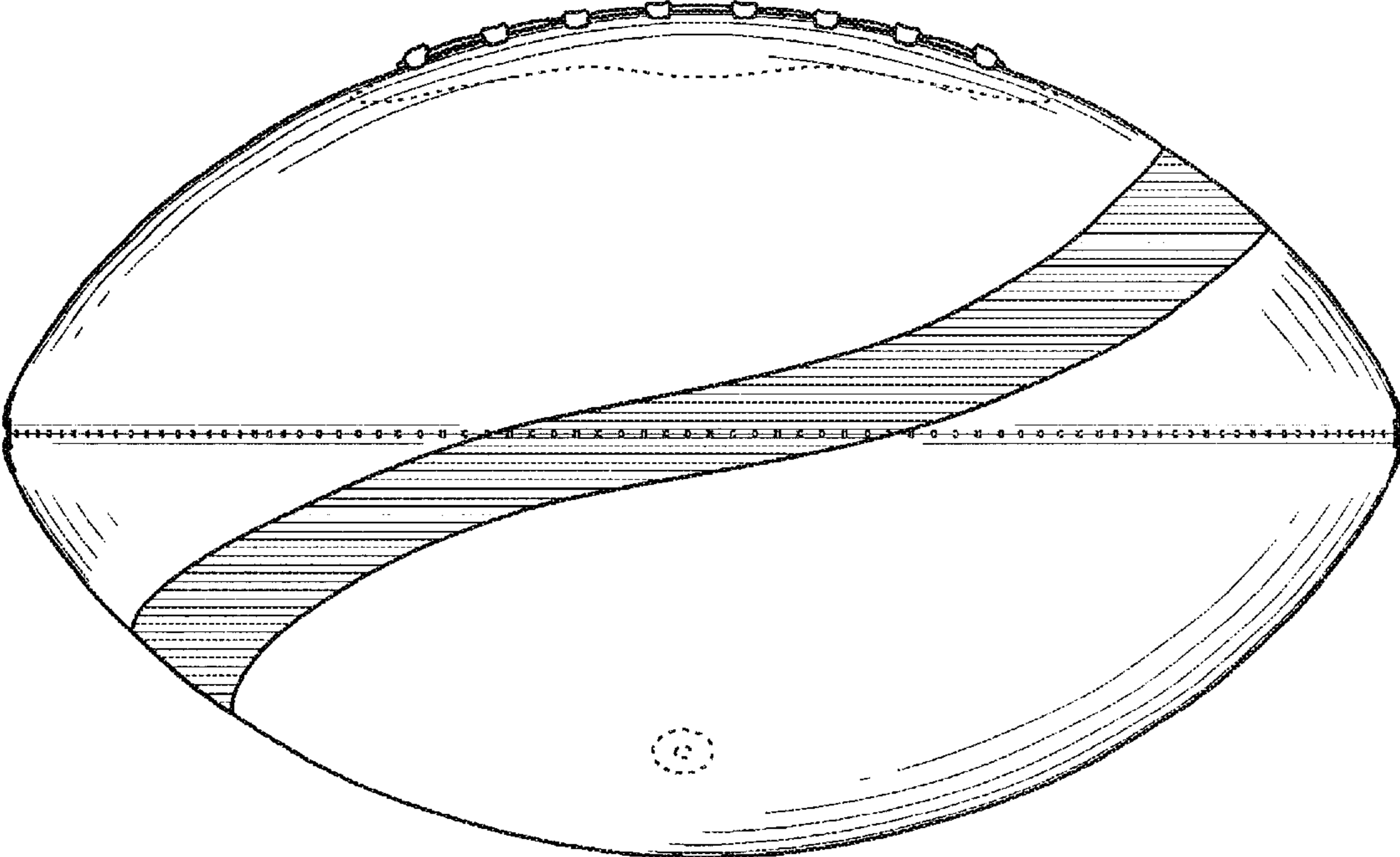
The stripe area of the design is lined for color. The broken lines surrounding the lacing and on the lower left side of the football are for illustrative purposes only and form no part of the claimed design.

**1 Claim, 4 Drawing Sheets**

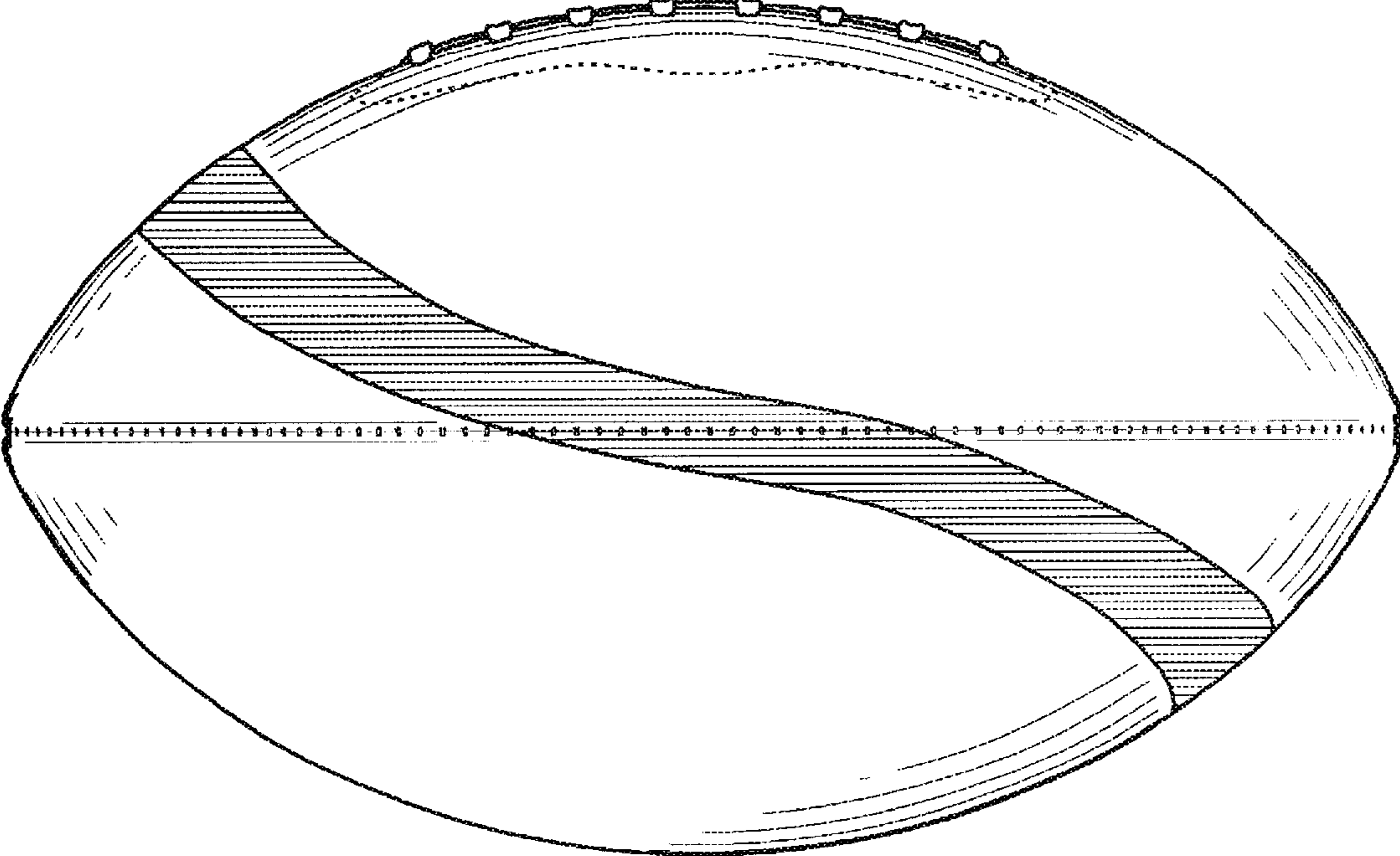




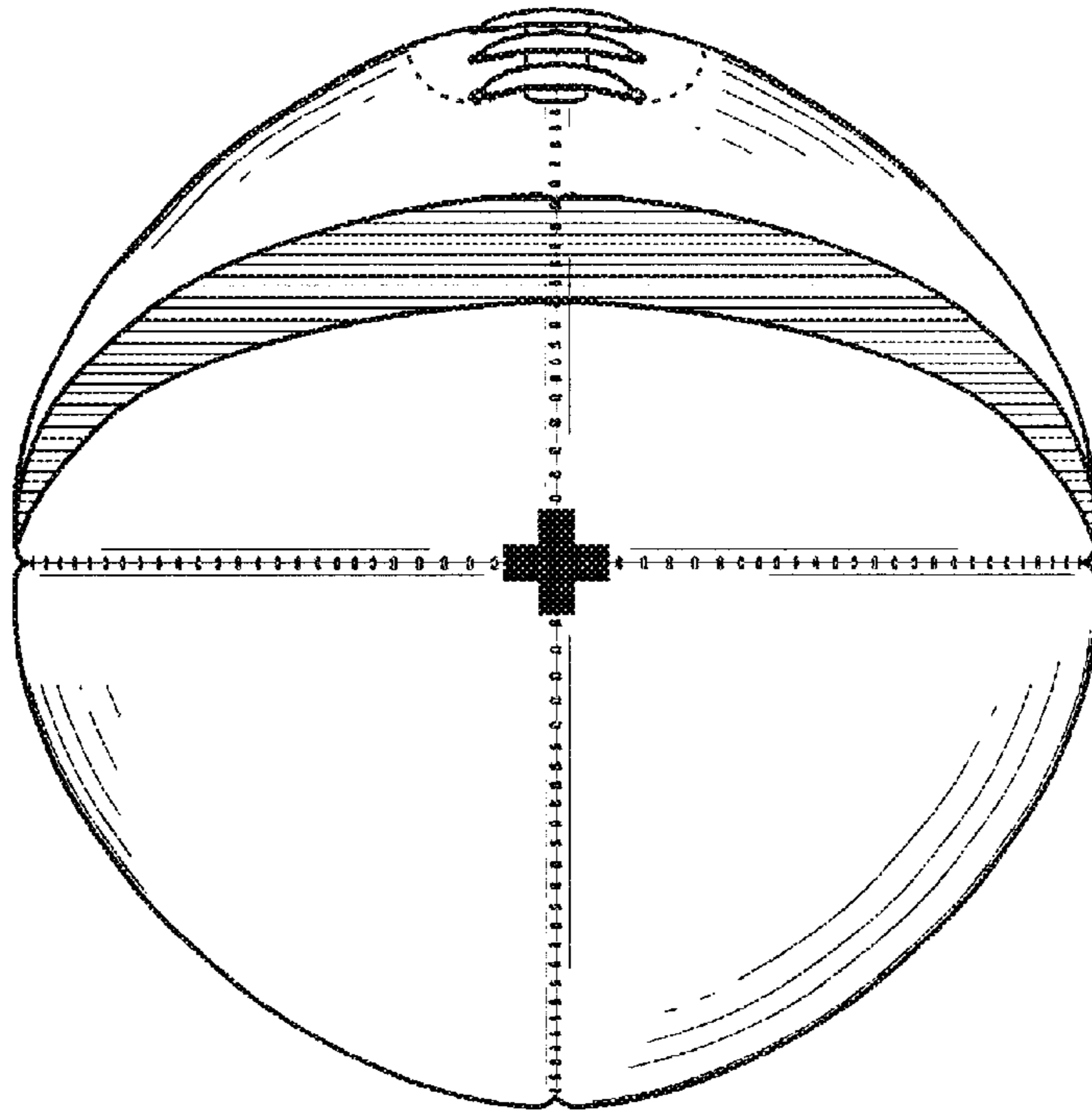
*Fig. 1*



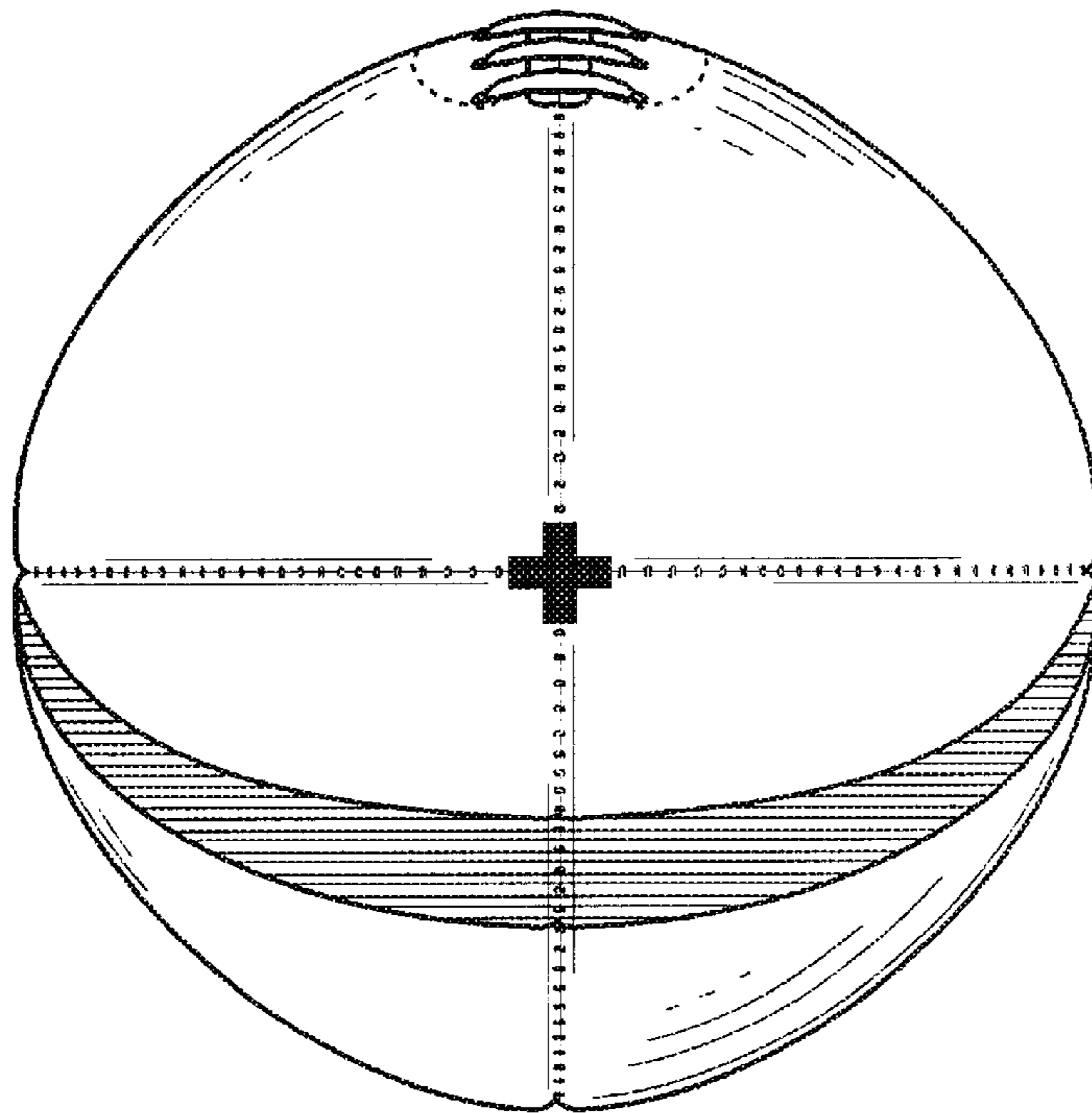
*Fig. 2*



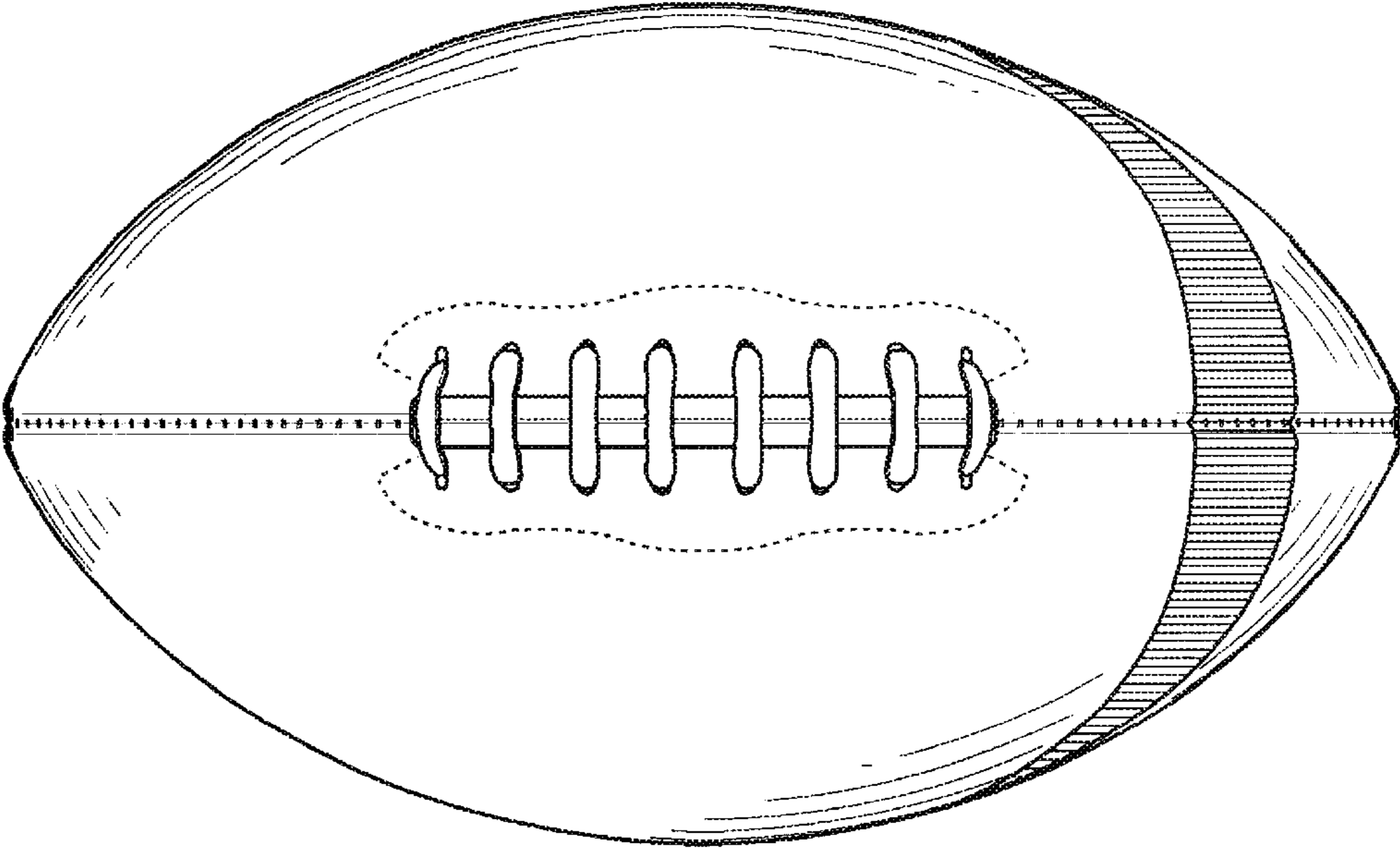
*Fig. 3*



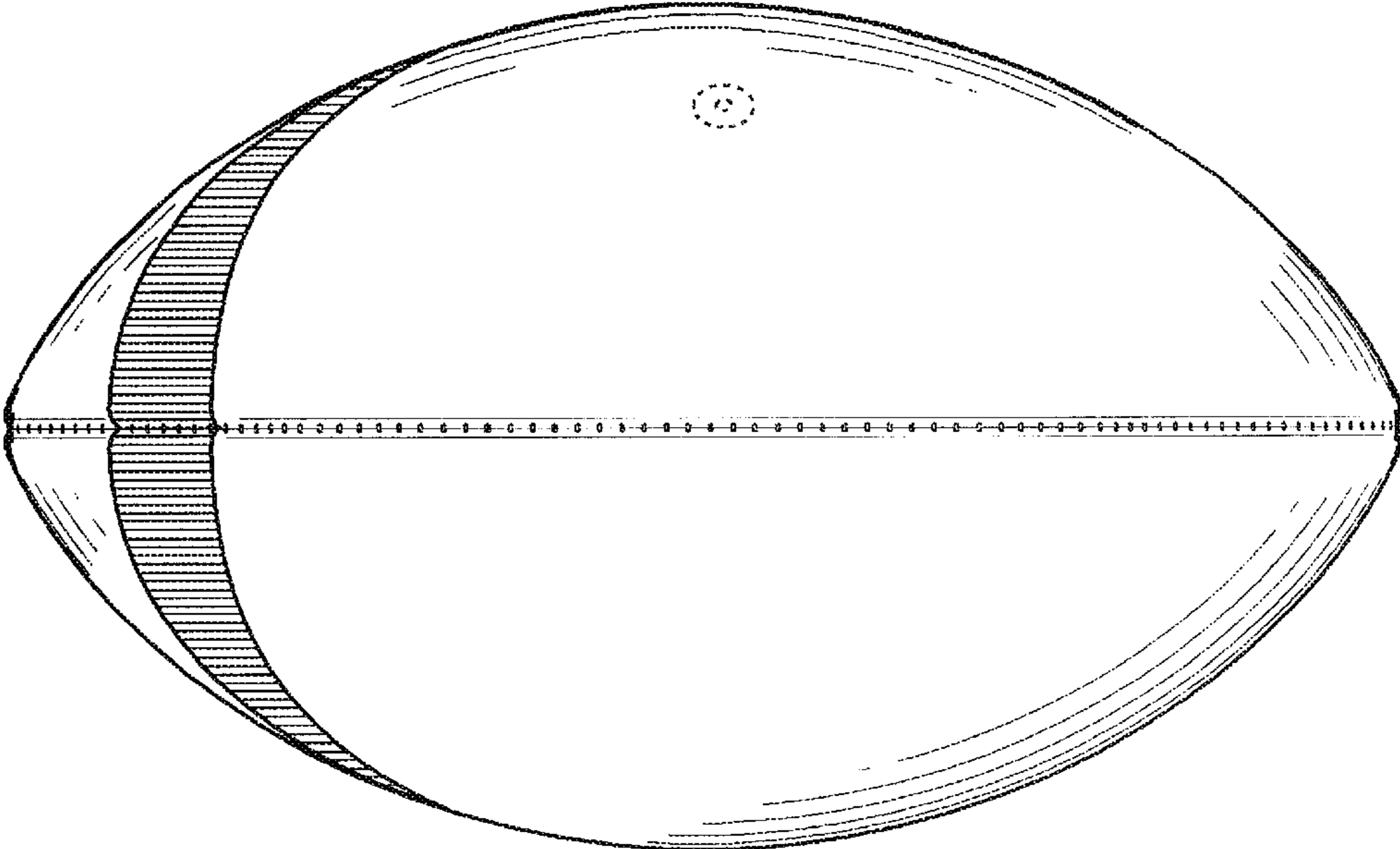
*Fig. 4*



*Fig. 5*



*Fig. 6*



*Fig. 7*