

US00D497652S1

(12) **United States Design Patent**
Chiu

(10) **Patent No.:** **US D497,652 S**

(45) **Date of Patent:** **** Oct. 26, 2004**

(54) **TOY BOAT**

(75) **Inventor:** **Shun Pui Chiu, Hong Kong (CN)**

(73) **Assignee:** **NKOK, Inc.**

(**) **Term:** **14 Years**

(21) **Appl. No.:** **29/195,110**

(22) **Filed:** **Dec. 6, 2003**

(51) **LOC (7) Cl.** **21-01**

(52) **U.S. Cl.** **D21/542**

(58) **Field of Search** **D21/542, 547;**
D12/300, 313-318; 114/56, 283, 288-291,
297, 355-358, 270, 345; 446/153, 160,
162-165

(56) **References Cited**

U.S. PATENT DOCUMENTS

D335,118 S * 4/1993 Alexander D12/314
D349,881 S * 8/1994 Hilliard D12/315

5,413,064 A * 5/1995 Paraskevopoulos 114/255
D399,814 S * 10/1998 Toro et al. D12/306
D477,039 S * 7/2003 Bao D21/542
D488,841 S * 4/2004 Yuen D21/542

* cited by examiner

Primary Examiner—Raphael Barkai

(74) *Attorney, Agent, or Firm*—Clement Cheng

(57) **CLAIM**

The ornamental design for a toy boat, as shown and described.

DESCRIPTION

FIG. 1 is a perspective view.

FIG. 2 is a back view.

FIG. 3 is a left side view.

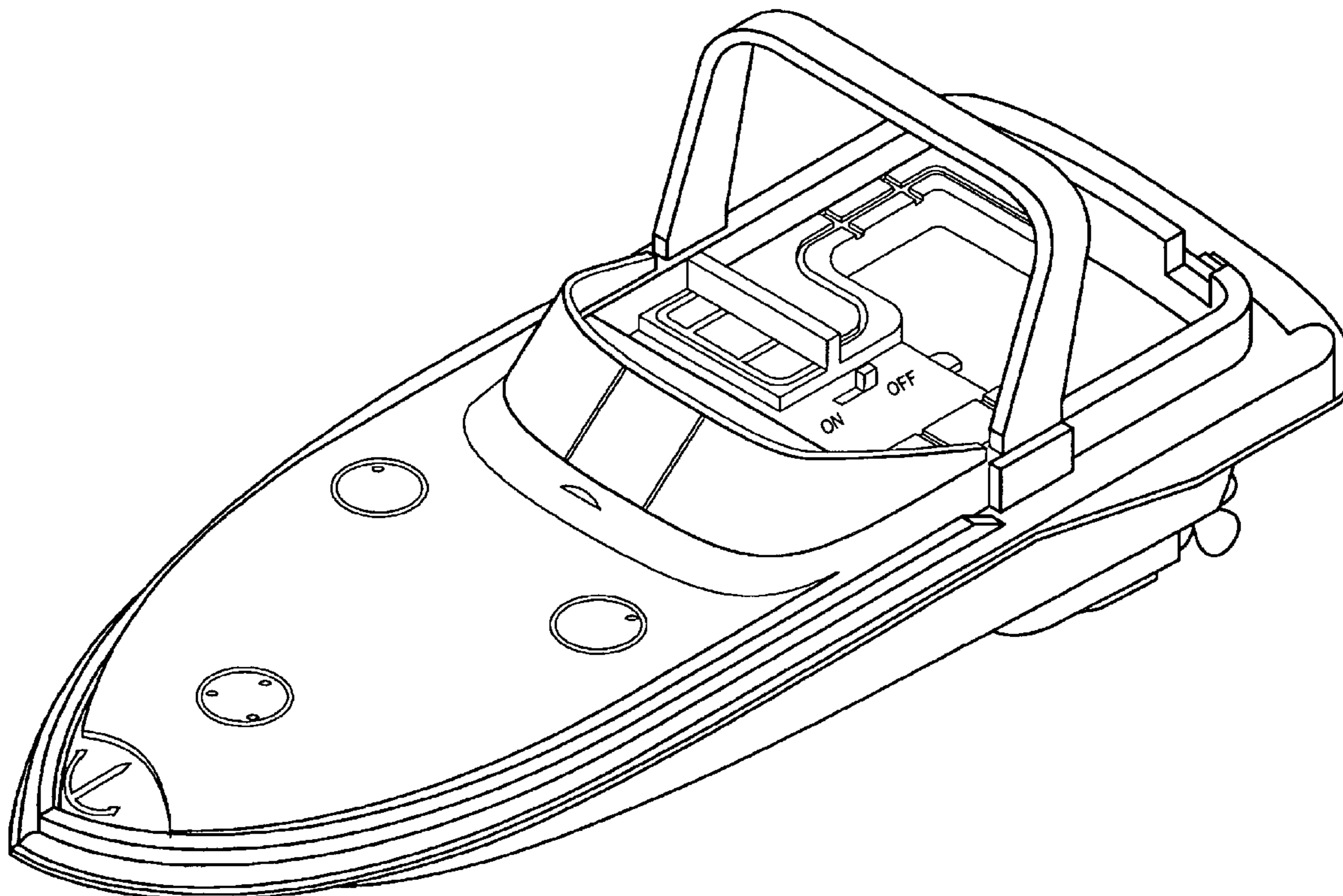
FIG. 4 is a right side view.

FIG. 5 is bottom view.

FIG. 6 is a top view; and,

FIG. 7 is a front view.

1 Claim, 7 Drawing Sheets



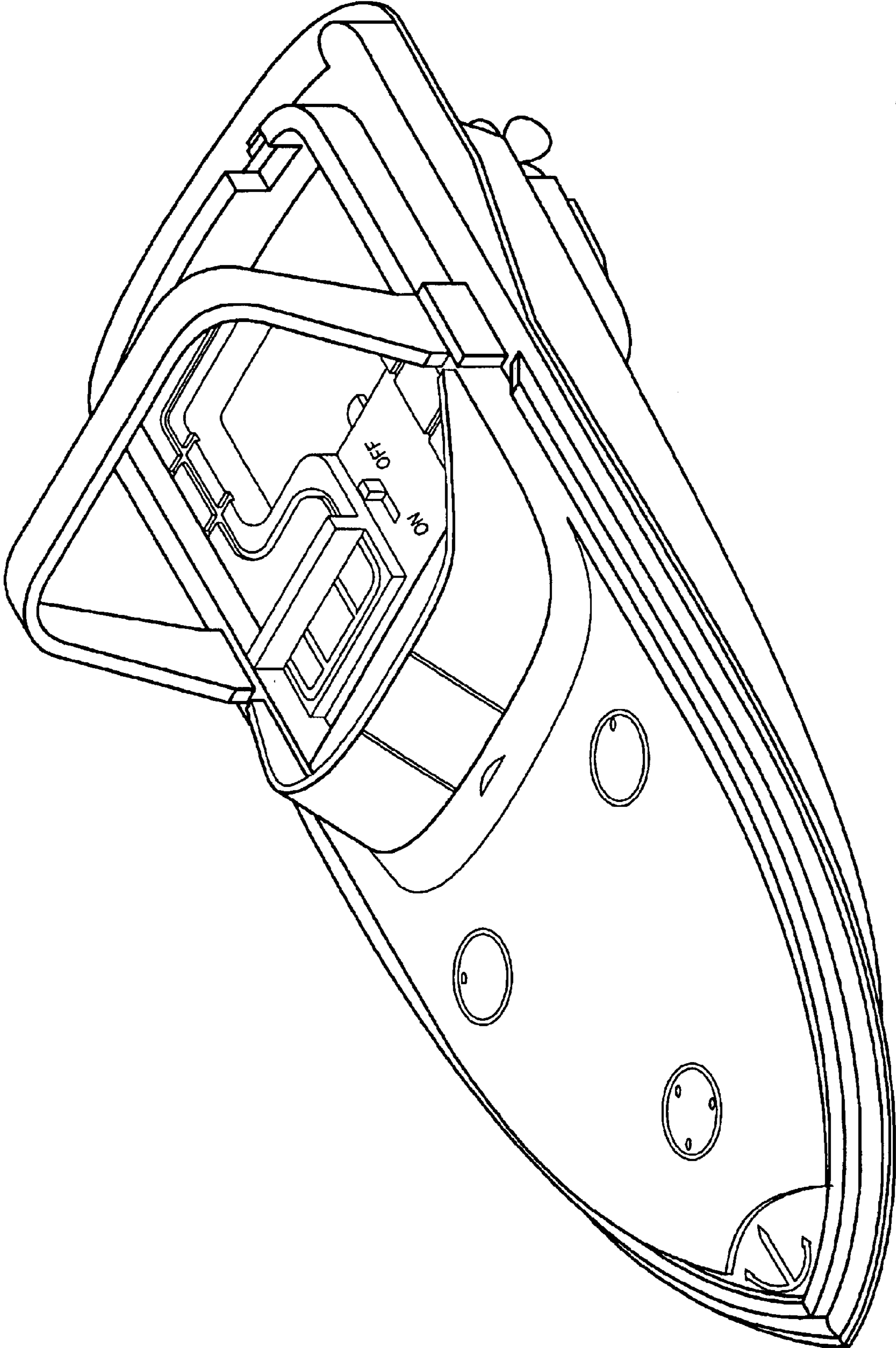


Fig. 1

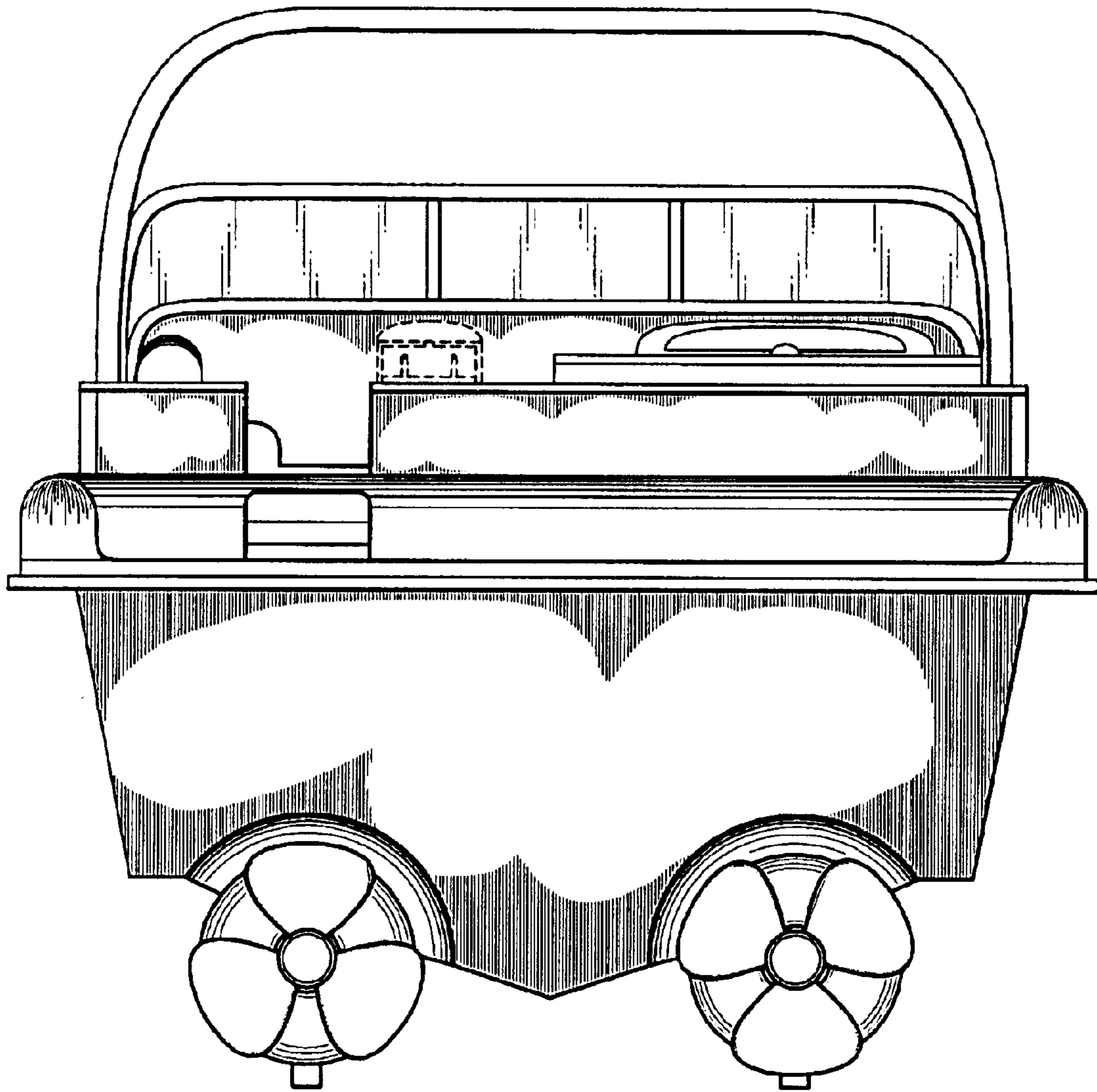


Fig. 2

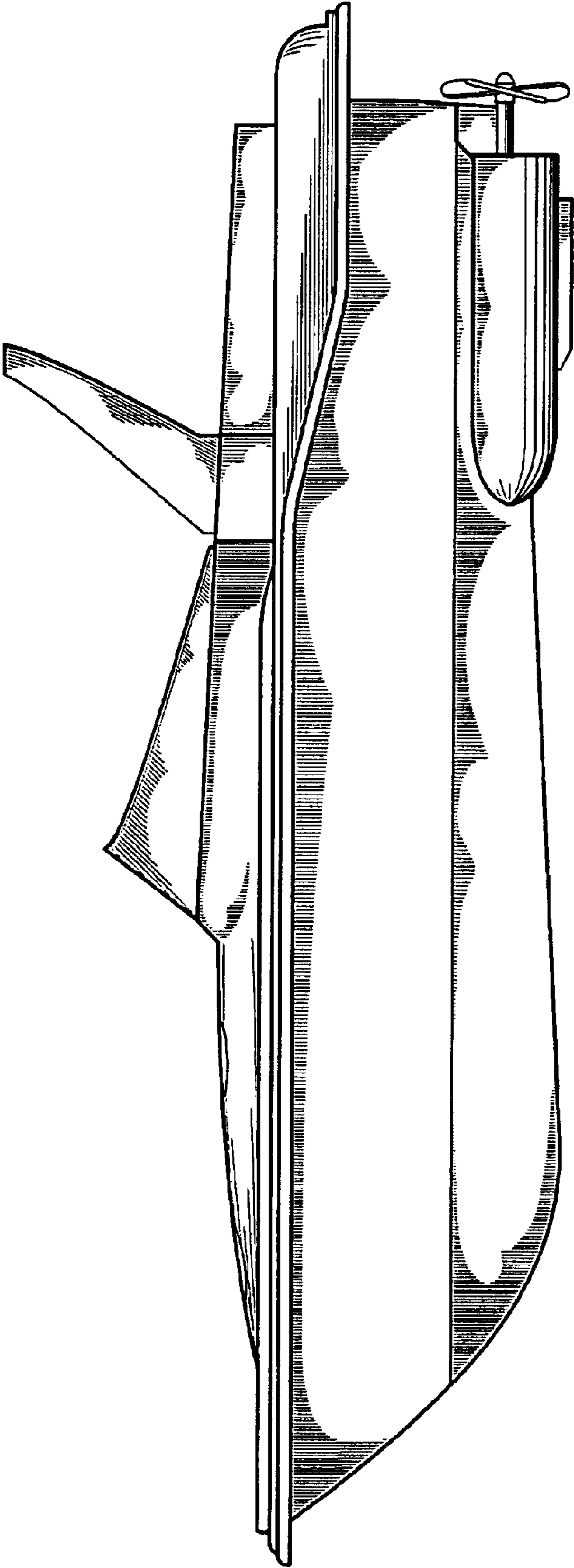


Fig. 3

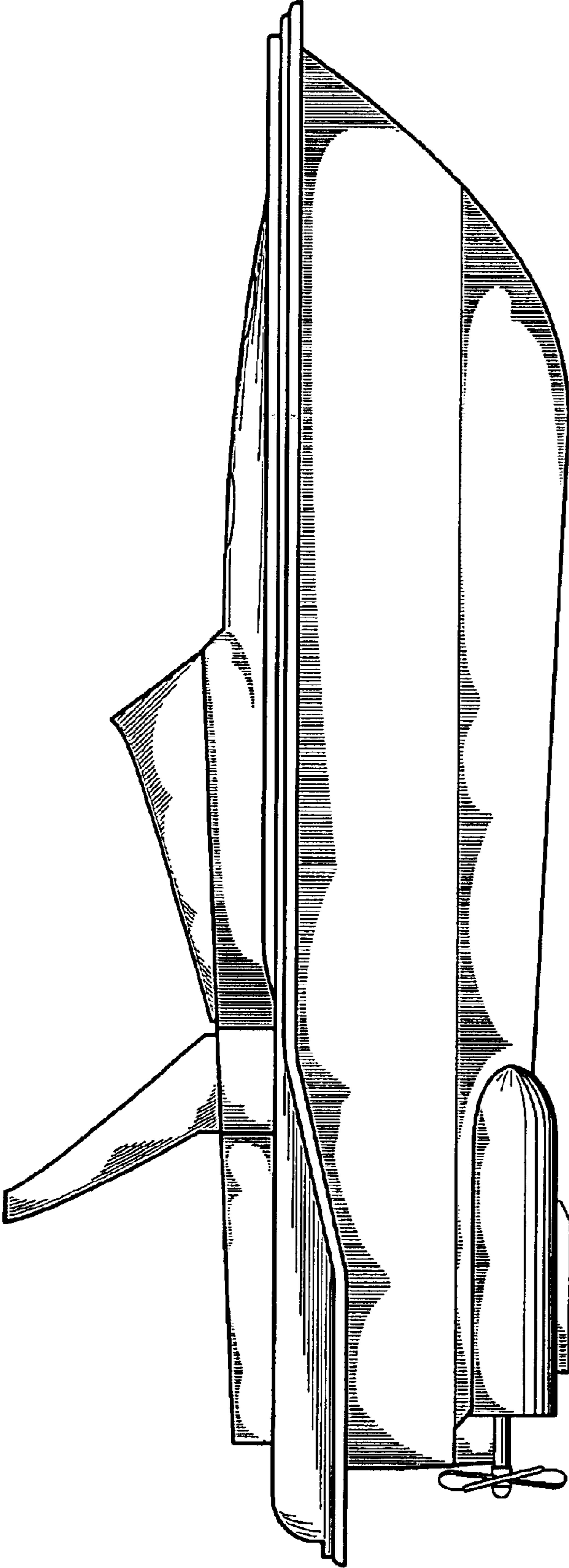


Fig. 4

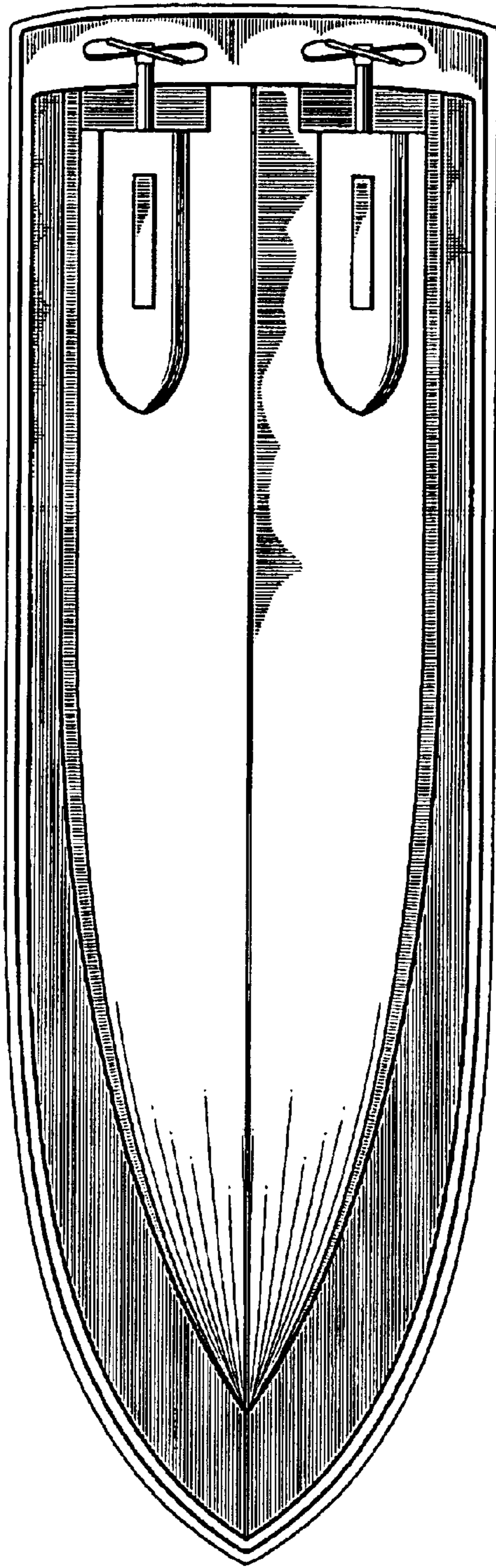


Fig. 5

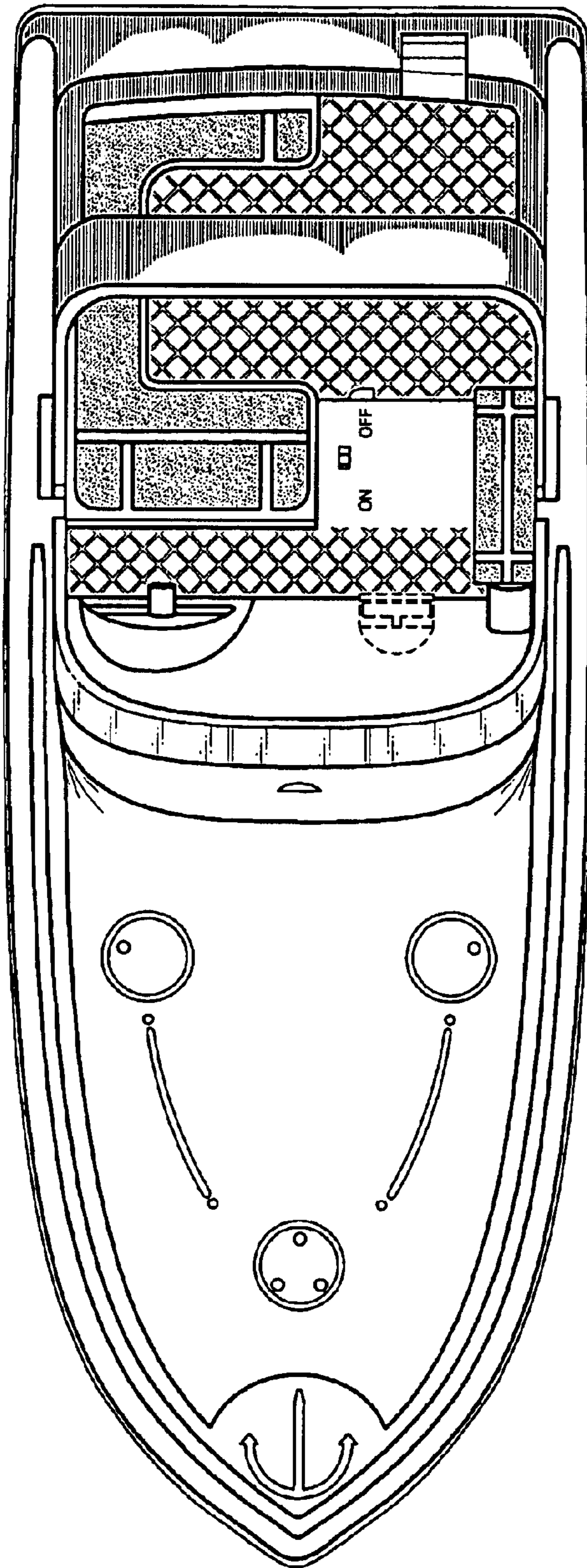


Fig. 6

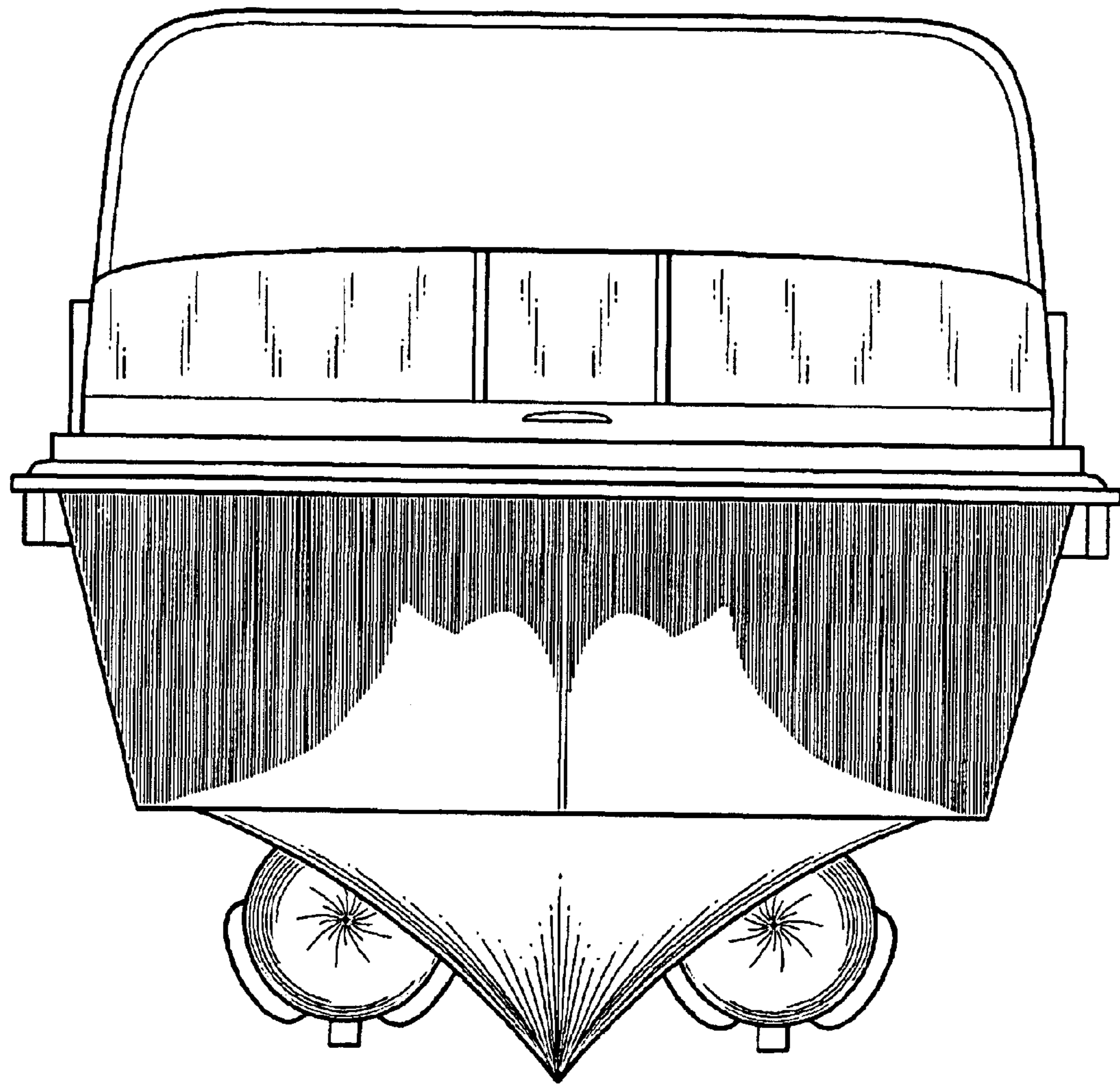


Fig. 7