

US00D497651S1

(12) **United States Design Patent** (10) **Patent No.:** **US D497,651 S**
McKee et al. (45) **Date of Patent:** **** Oct. 26, 2004**

(54) **TOY FOR FORMING MOLDED CONFECTIONARY PRODUCTS**

(75) Inventors: **Geoffrey A. McKee**, San Carlos, CA (US); **H. Henry Lee**, San Francisco, CA (US)

(73) Assignee: **Wham-O, Inc.**, Emeryville, CA (US)

(**) Term: **14 Years**

(21) Appl. No.: **29/175,552**

(22) Filed: **Feb. 5, 2003**

(51) **LOC (7) Cl.** **21-01**

(52) **U.S. Cl.** **D21/525; D21/523; D21/524; D21/528**

(58) **Field of Search** **D21/523-528, D21/483, 398; D15/135-136; 425/DIG. 57, 383, 388, 404, 406; 446/475-491, 117**

(56) **References Cited**

U.S. PATENT DOCUMENTS

1,285,086 A	11/1918	Falkinburg	
1,607,880 A	11/1926	Dungan	
2,578,105 A	11/1951	Taylor	
3,157,933 A	11/1964	Boggild et al.	
3,222,723 A	12/1965	Boggild et al.	
D218,184 S	* 7/1970	Bringas D21/528
3,574,897 A	4/1971	Citron et al.	
3,590,749 A	7/1971	Burns et al.	
3,685,936 A	8/1972	Meth et al.	
3,741,706 A	6/1973	Conley et al.	
3,892,510 A	7/1975	Meth et al.	
3,920,368 A	11/1975	Lemelson	
4,076,476 A	2/1978	Ventura	
4,322,909 A	* 4/1982	Holahan et al. 446/117
4,569,815 A	2/1986	Rentz et al.	
4,815,961 A	3/1989	Kindred	
4,993,932 A	2/1991	D'Andrade	

5,020,698 A	6/1991	Crossley	
D322,996 S	* 1/1992	Batchen D21/528
5,183,671 A	2/1993	Perez	
5,387,149 A	* 2/1995	Caveza 446/491
5,439,695 A	8/1995	Mackey	
5,820,910 A	10/1998	Jury	
5,954,561 A	* 9/1999	Cannone 446/479
RE36,937 E	10/2000	Mackley	
D451,524 S	* 12/2001	Morris D15/135
D476,702 S	* 7/2003	Daftari D21/528
2001/0041196 A1	11/2001	Yamane	

* cited by examiner

Primary Examiner—Raphael Barkai

(74) *Attorney, Agent, or Firm*—Kolisch Hartwell, P.C.

(57) **CLAIM**

The ornamental design for a toy for forming molded confectionary products, as shown and described.

DESCRIPTION

FIG. 1 is a perspective view of the toy for forming molded confectionary products as constructed in accordance with the present invention;

FIG. 2 is a front end view of the toy for forming molded confectionary products taken from the left of FIG. 1;

FIG. 3 is a rear end view of the toy for forming molded confectionary products taken from the right of FIG. 1;

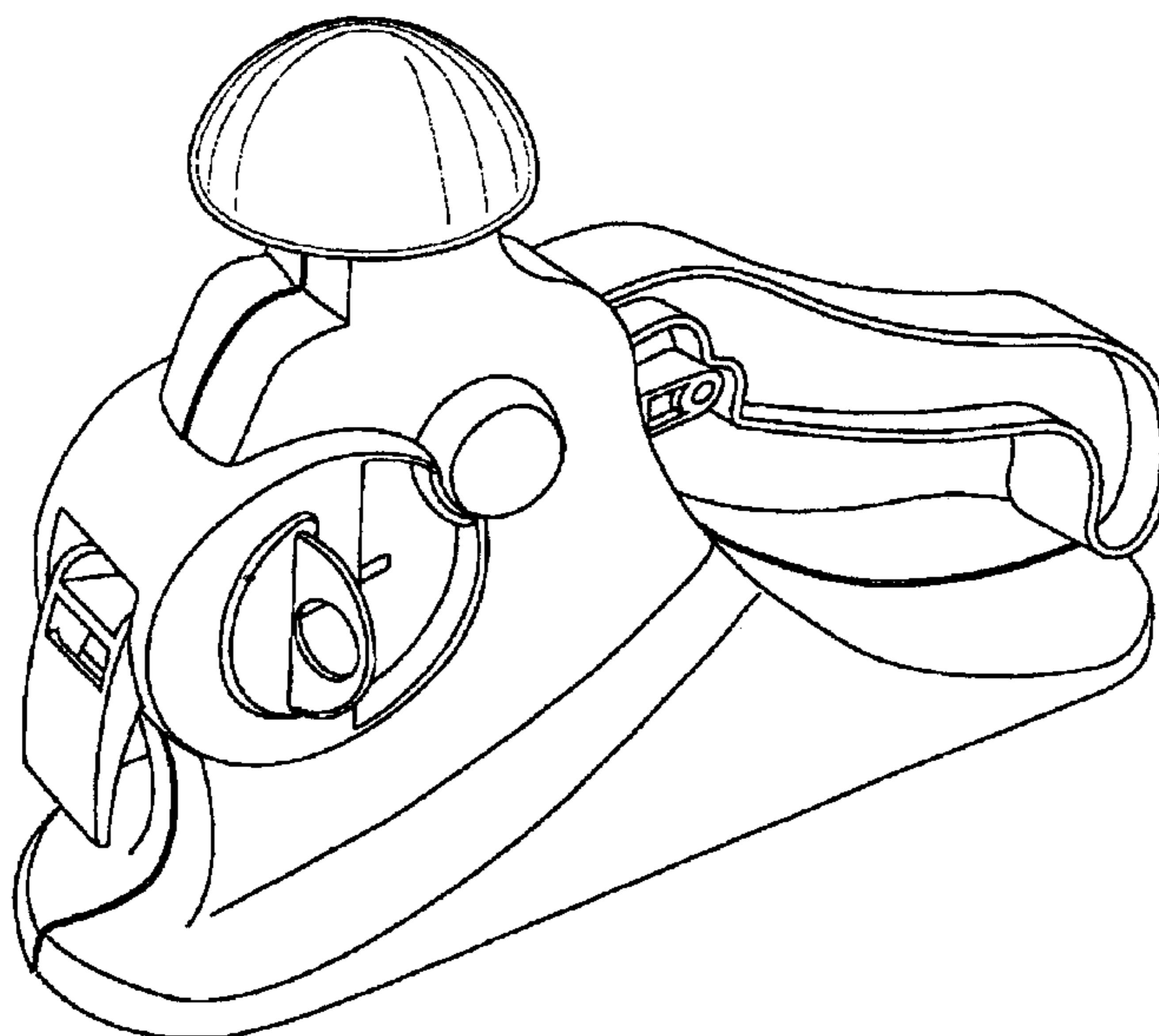
FIG. 4 is a left-side view of the toy for forming molded confectionary products in accordance with the present invention;

FIG. 5 is a right-side view of the toy for forming molded confectionary products in accordance with the present invention;

FIG. 6 is a top plan view of the toy for forming molded confectionary products of FIG. 1; and,

FIG. 7 is a bottom plan view of the toy for forming molded confectionary products of FIG. 1.

1 Claim, 3 Drawing Sheets



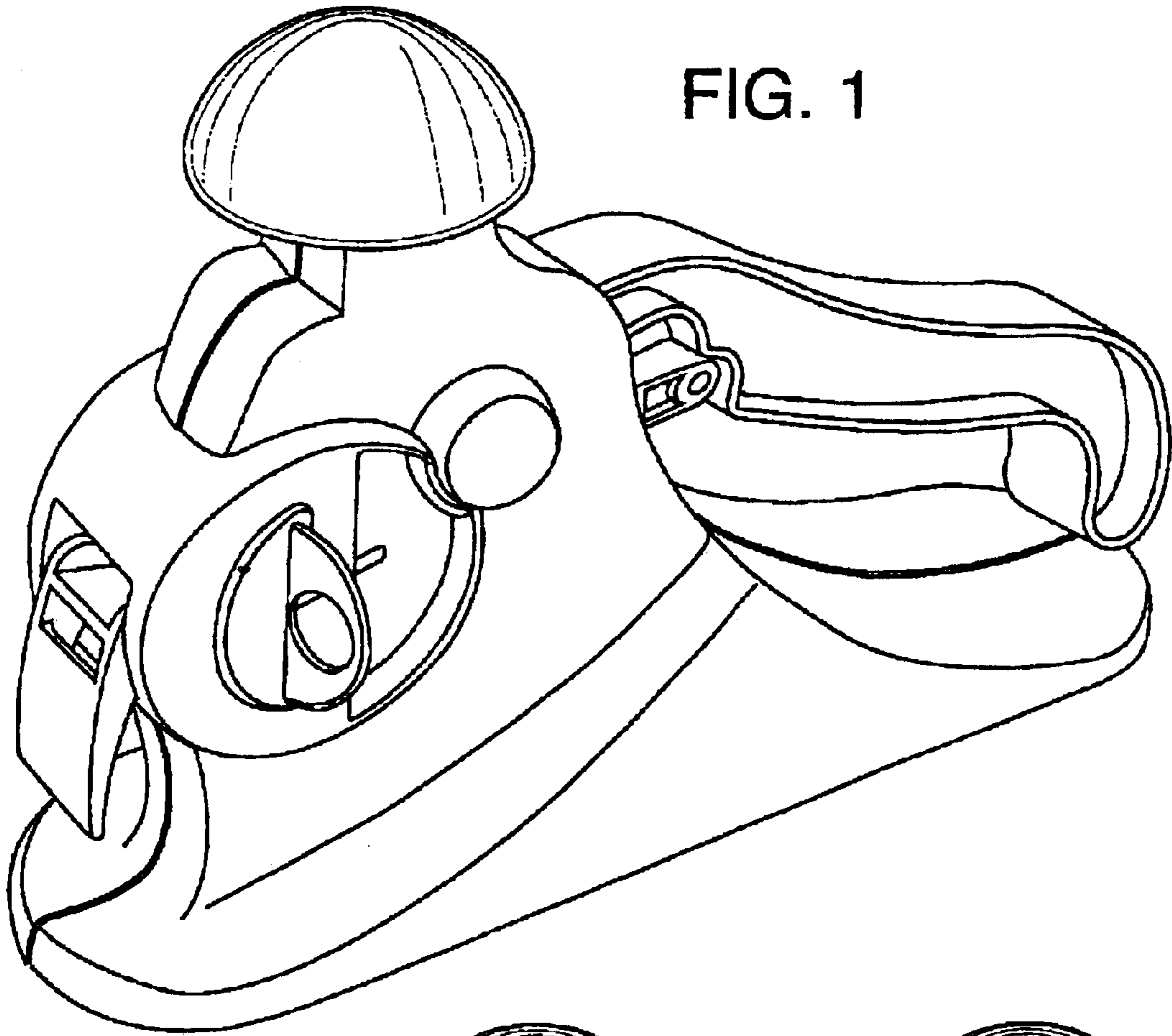


FIG. 1

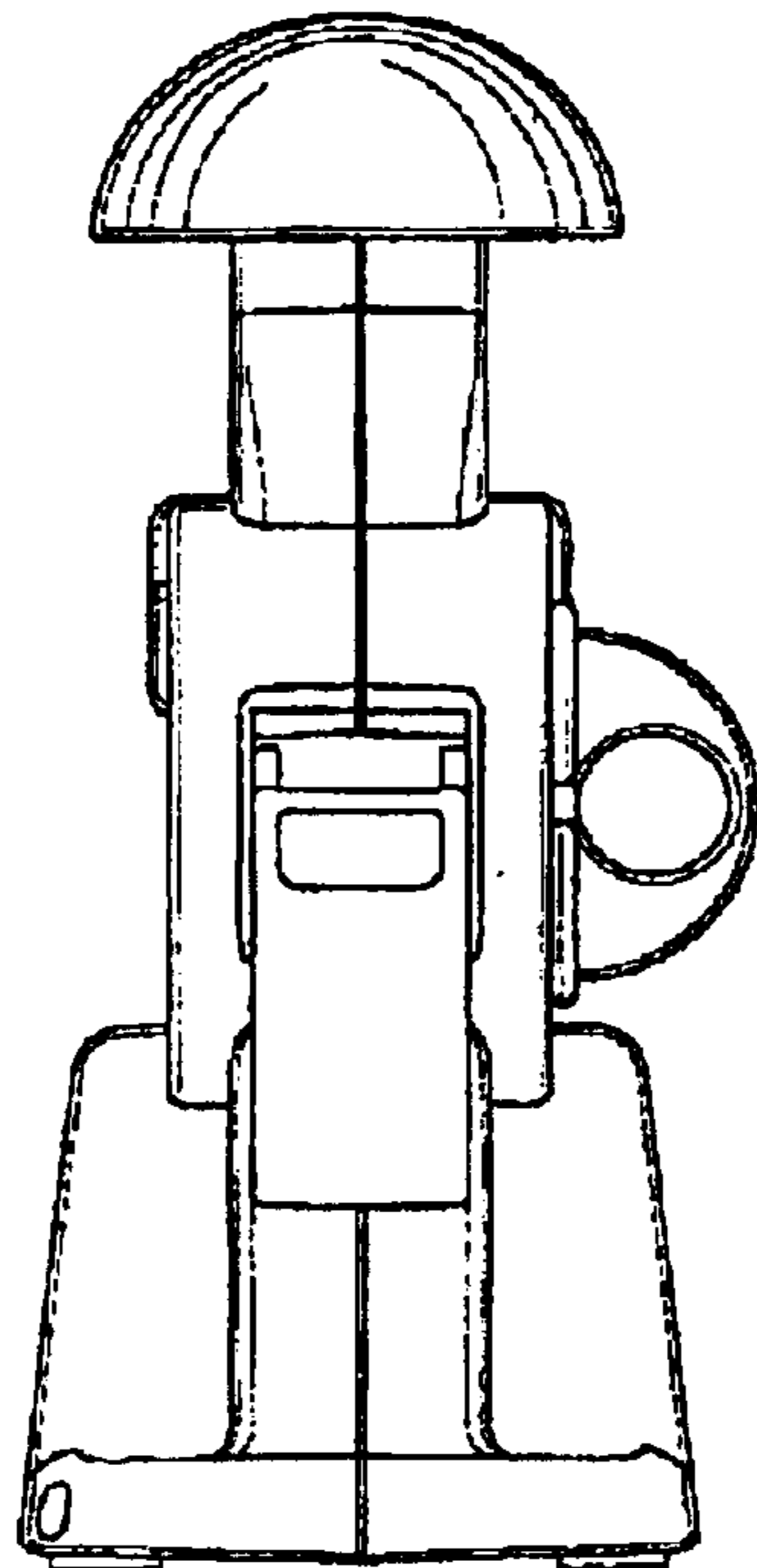


FIG. 2

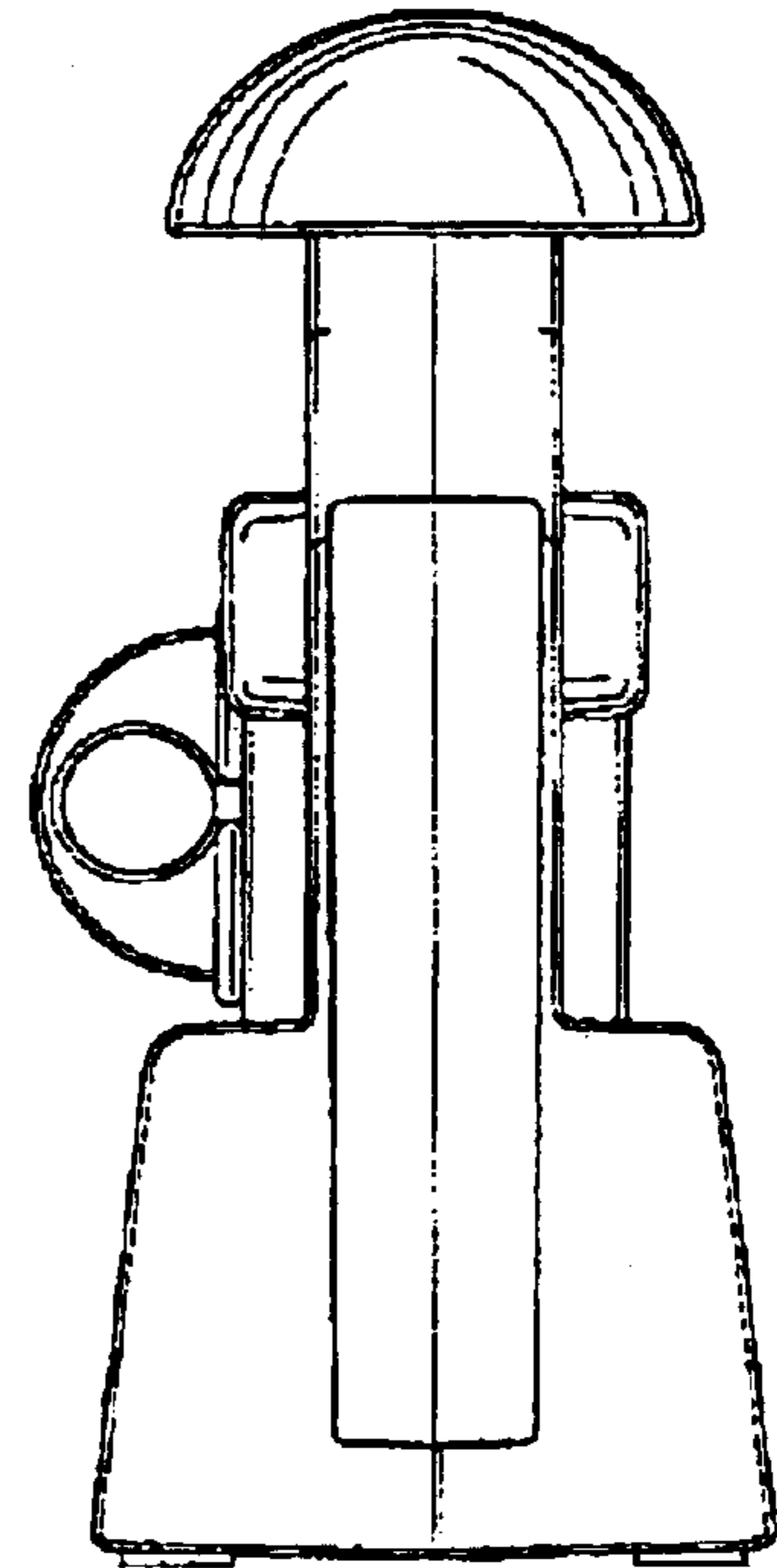


FIG. 3

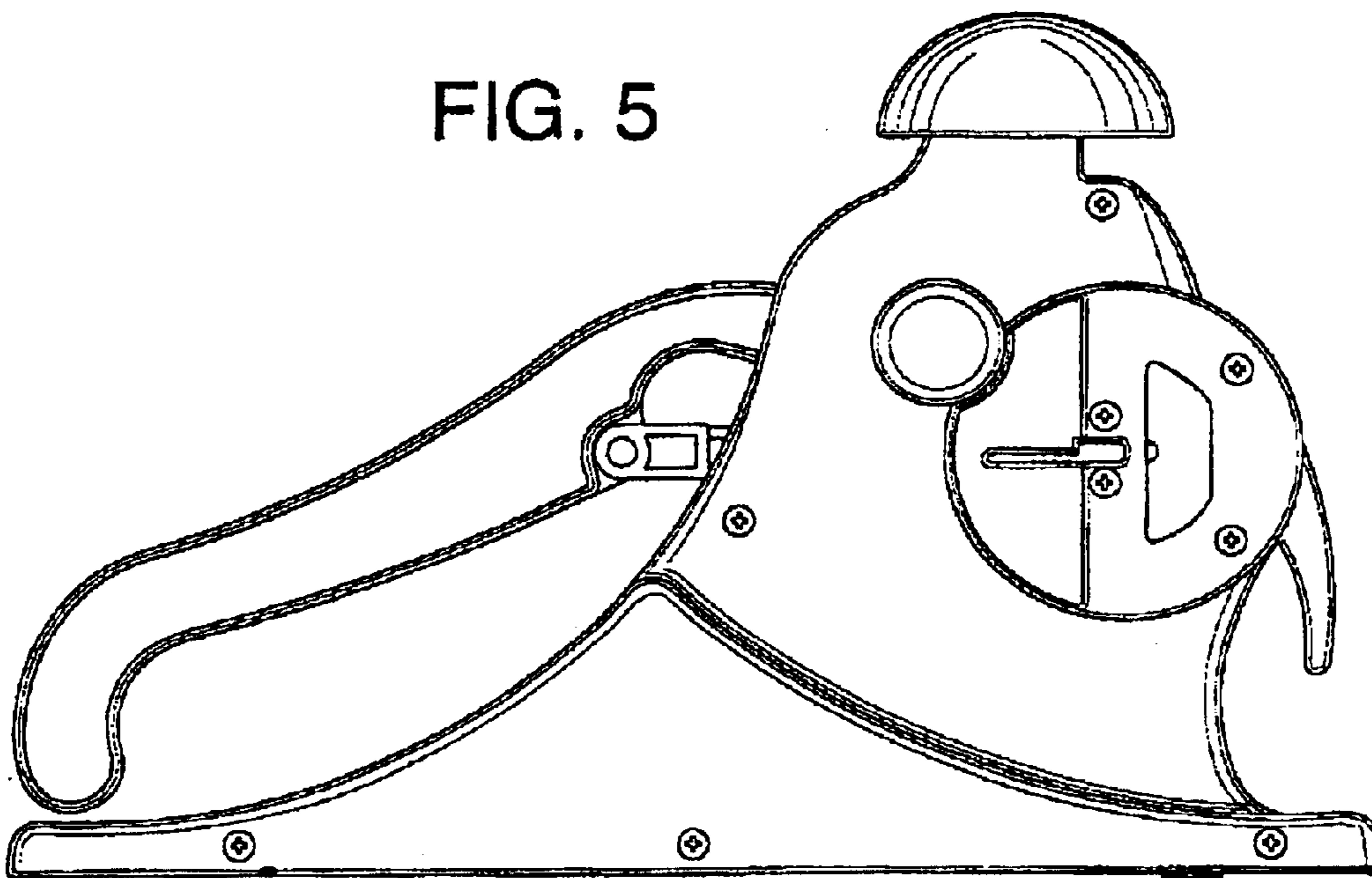
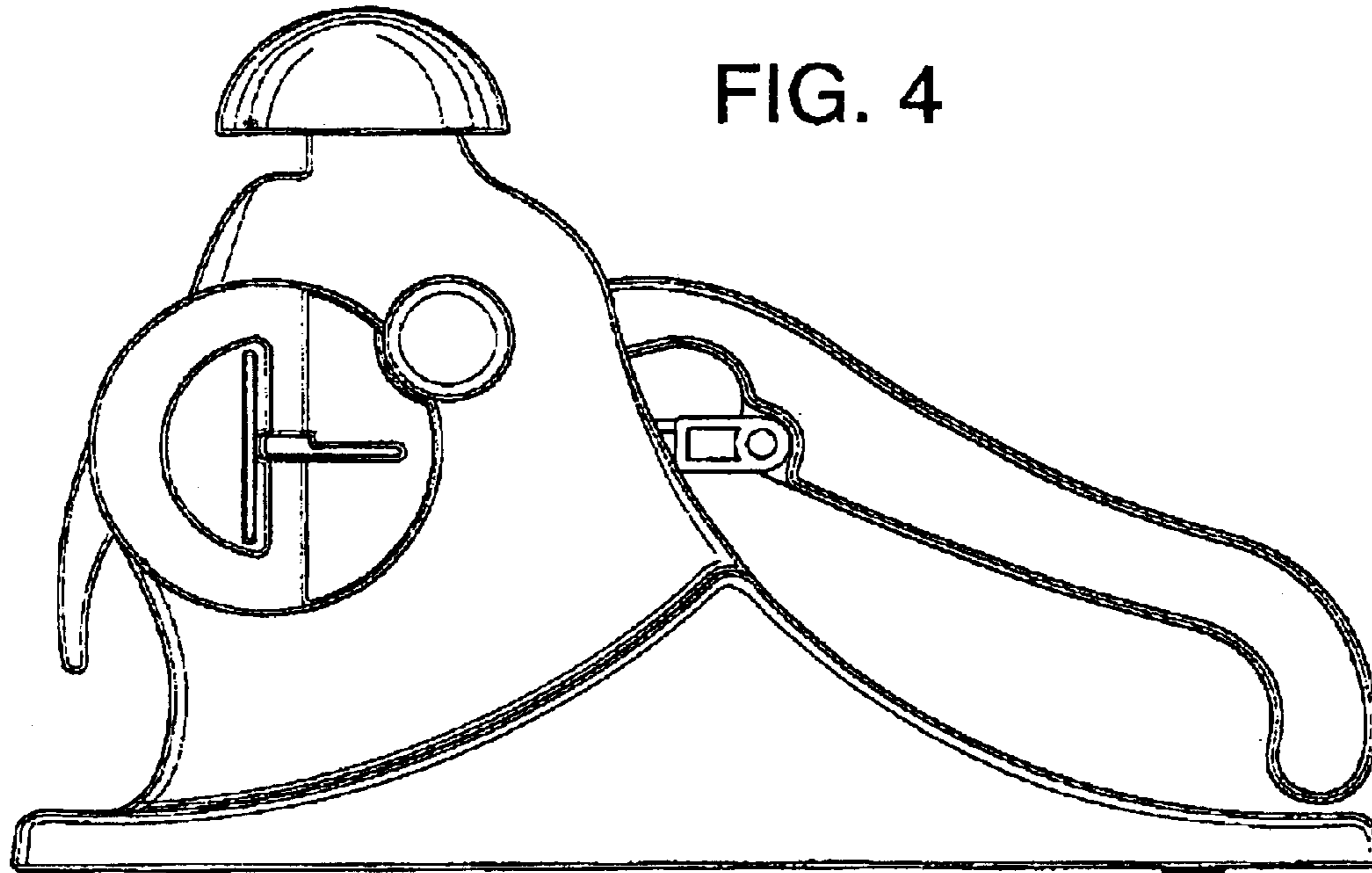


FIG. 6

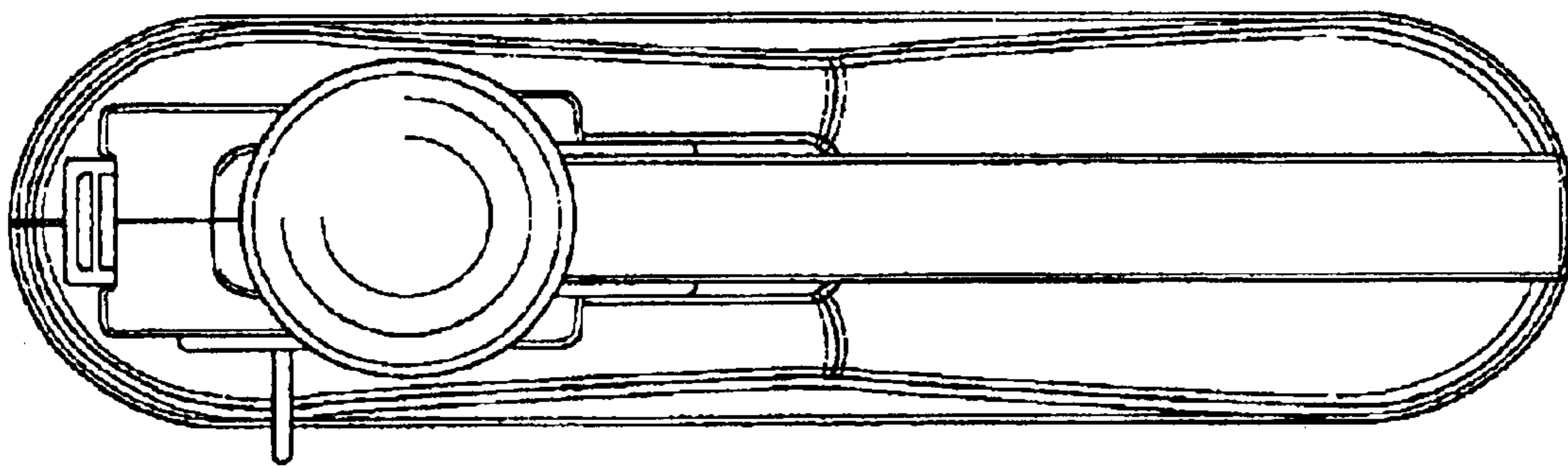


FIG. 7

