

US00D497648S1

(12) **United States Design Patent**  
**Carlson**

(10) **Patent No.:** **US D497,648 S**  
(45) **Date of Patent:** **\*\* Oct. 26, 2004**

(54) **LCD DISPLAY BOX WITH REMOVABLE PLEXIGLAS OVERLAY PANELS FOR VEHICLE WINDOW**

(76) **Inventor:** **Daniel J. Carlson**, 12360 Ingersol Ave. N., Hugo, MN (US) 55038

(\*\*) **Term:** **14 Years**

(21) **Appl. No.:** **29/195,051**

(22) **Filed:** **Dec. 8, 2003**

(51) **LOC (7) Cl.** ..... **20-03**

(52) **U.S. Cl.** ..... **D20/10; D20/42**

(58) **Field of Search** ..... D20/10, 12-15, D20/17-19, 21, 39-99; D26/26-38; 40/570, 572, 574-5, 578, 541, 564; 362/334-5, 340, 347, 811-812, 326, 330

(56) **References Cited**

**U.S. PATENT DOCUMENTS**

3,493,924 A	2/1970	Dobbins	
D244,725 S	* 6/1977	Niehaus et al.	D20/42
4,240,220 A	12/1980	Smith	
4,283,869 A	* 8/1981	Rappa	40/661
D276,736 S	* 12/1984	Maya et al.	D20/17
D280,745 S	* 9/1985	Cobb	D20/42
4,806,903 A	2/1989	Rust	
4,928,084 A	5/1990	Reiser	
4,977,695 A	12/1990	Armbruster	
5,005,306 A	4/1991	Kinstler	
D349,517 S	8/1994	Neff	
D352,737 S	* 11/1994	Roberts	D20/42
5,423,140 A	* 6/1995	Nuspl	40/518
D382,598 S	* 8/1997	Schroeppel	D20/42
D393,285 S	4/1998	Nipper et al.	

5,764,141 A	6/1998	Chang	
D399,264 S	* 10/1998	Klink	D20/42
D422,641 S	* 4/2000	Harris, Sr.	D20/40
D425,565 S	* 5/2000	Bowie	D20/42
D427,641 S	* 7/2000	Palmer	D20/42
D430,220 S	8/2000	Fu	
6,672,748 B2	* 1/2004	Baldwin	362/558
2002/0083628 A1	* 7/2002	Magid	40/308

\* cited by examiner

*Primary Examiner*—Robert M. Spear

(74) *Attorney, Agent, or Firm*—Donald R. Schoonover

(57) **CLAIM**

I claim the ornamental design for an LCD display box with removable plexiglas overlay panels for vehicle window, as shown and described.

**DESCRIPTION**

FIG. 1 is a perspective view of a LCD display box with removable plexiglas overlay panels for vehicle window showing my new design;

FIG. 2 is a front elevational view thereof;

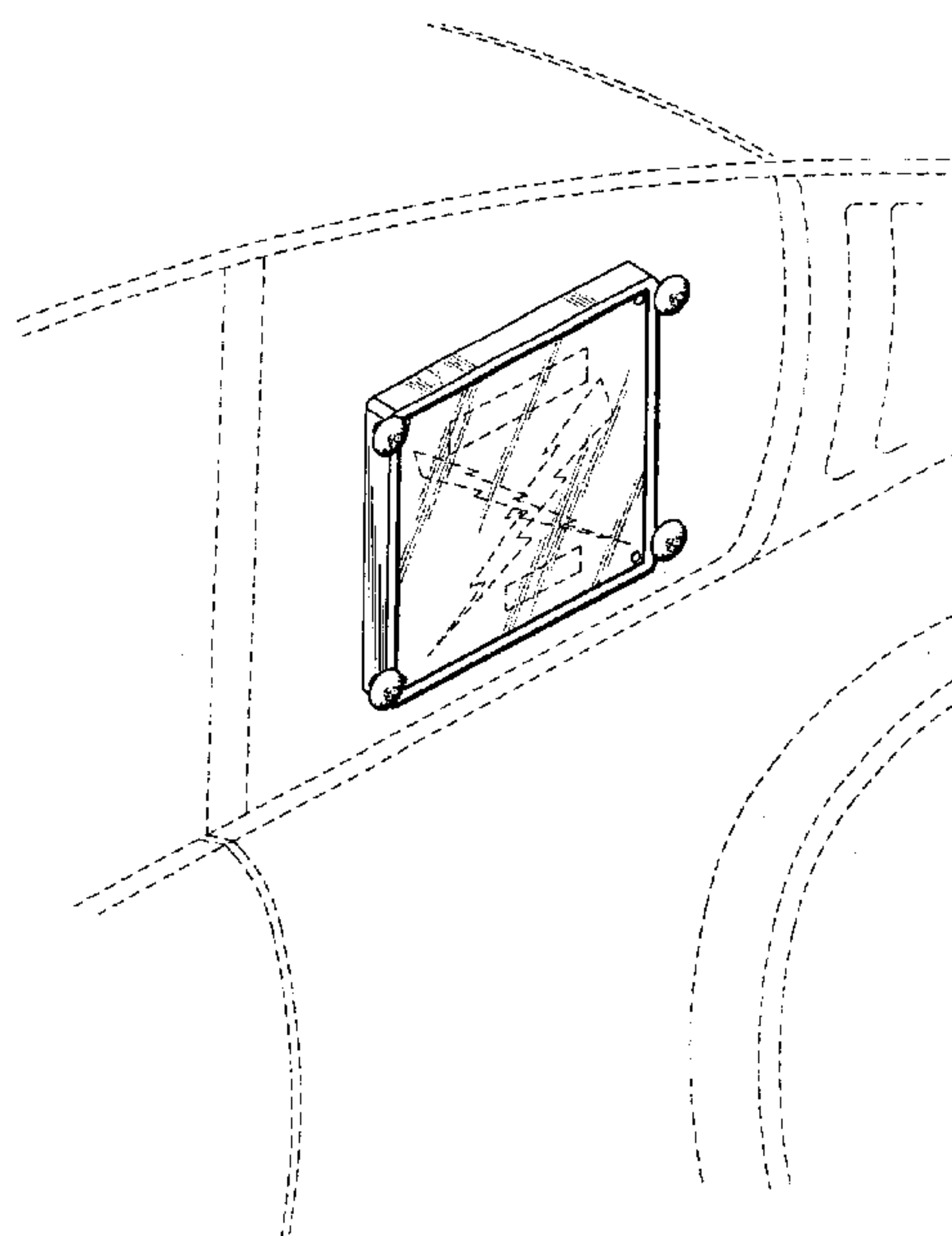
FIG. 3 is a bottom plan view thereof, the top plan view being substantially identical thereto;

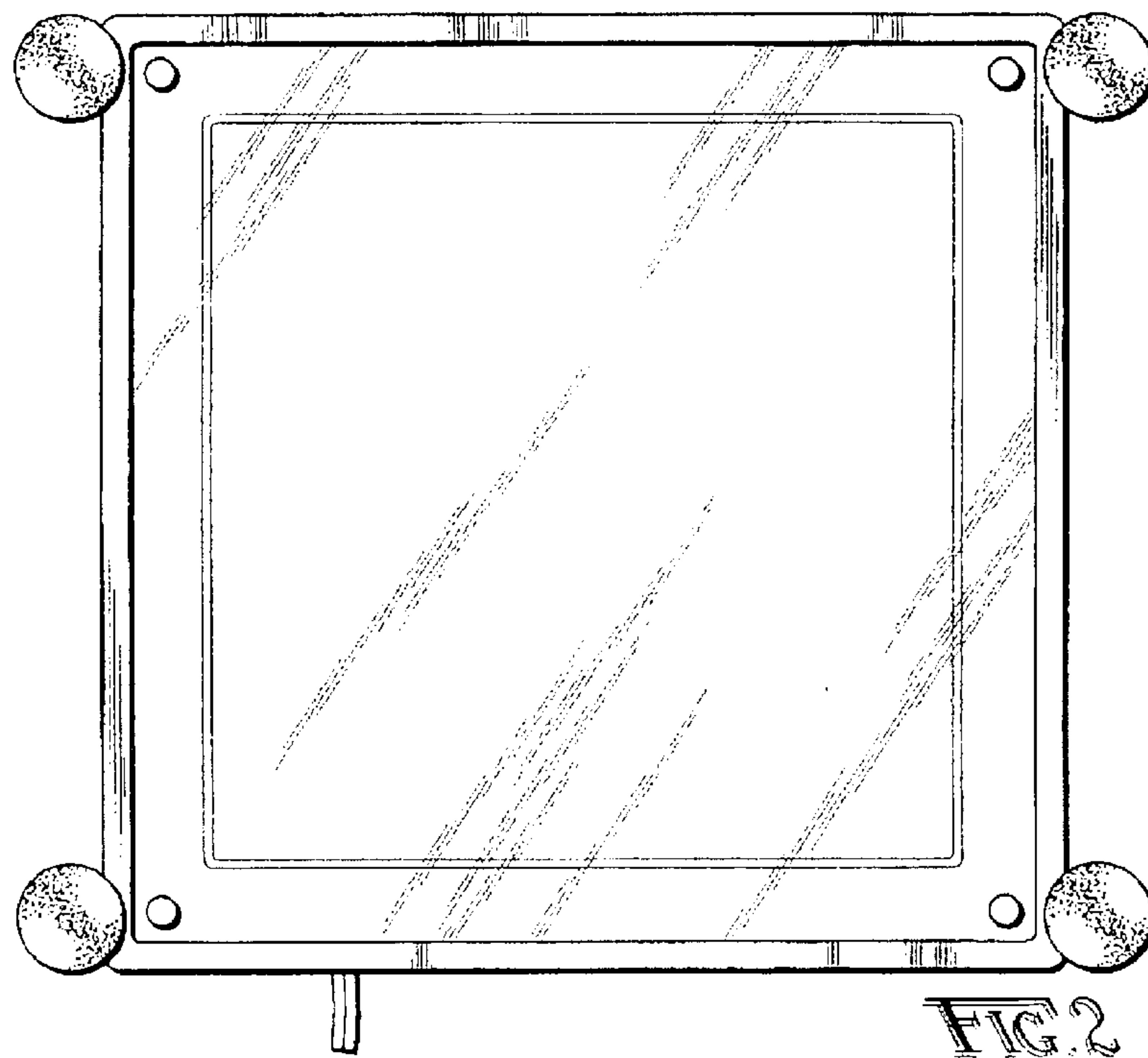
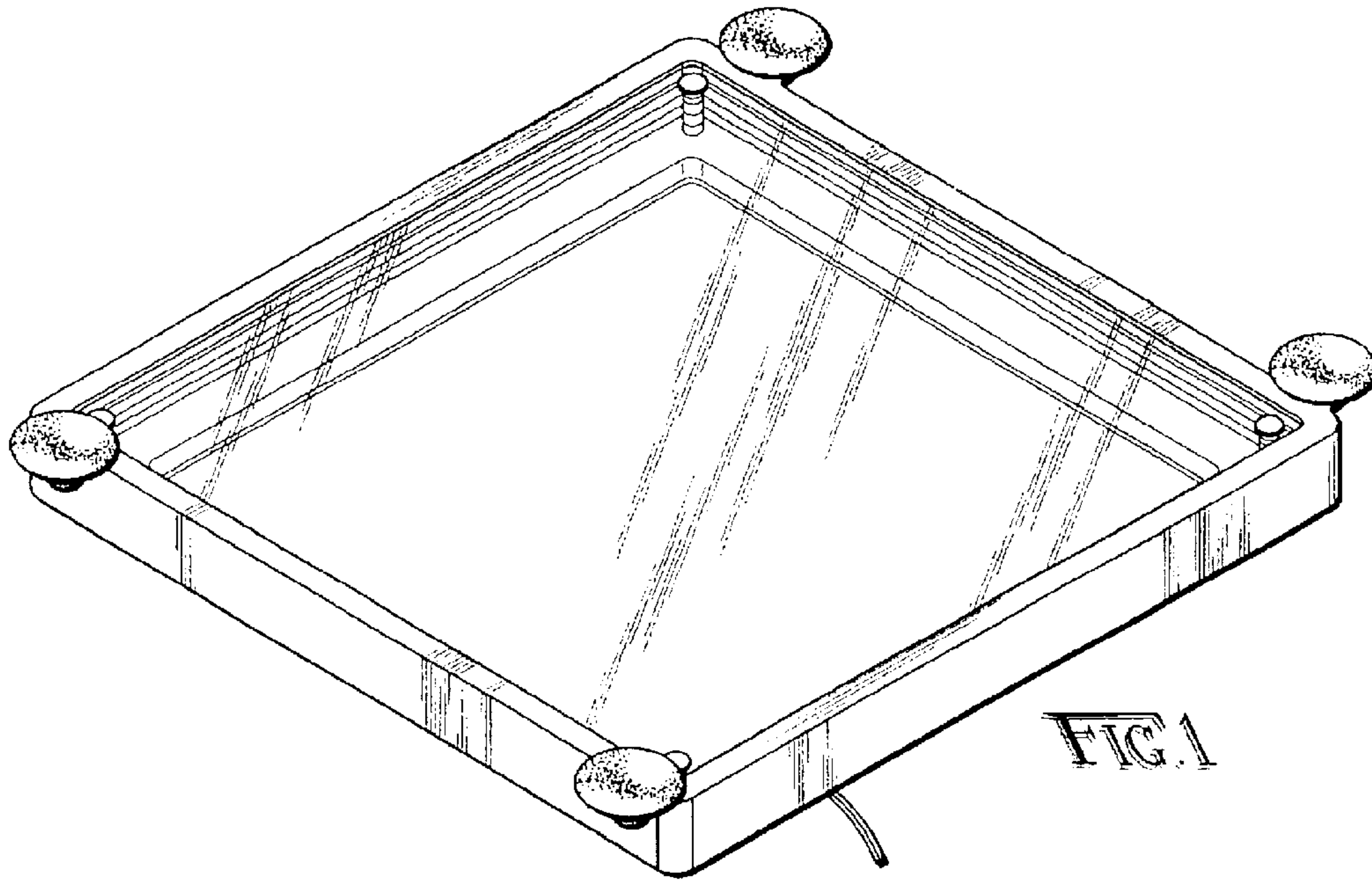
FIG. 4 is a rear elevational view thereof;

FIG. 5 is a left side elevational view thereof, the right side elevational view being a mirror image thereof; and,

FIG. 6 is reduced perspective view showing the LCD display box with removable plexiglas overlay panels for vehicle window in use; the broken lines depict environmental structure for illustrative purposes only and form no part of the claimed design.

**1 Claim, 3 Drawing Sheets**





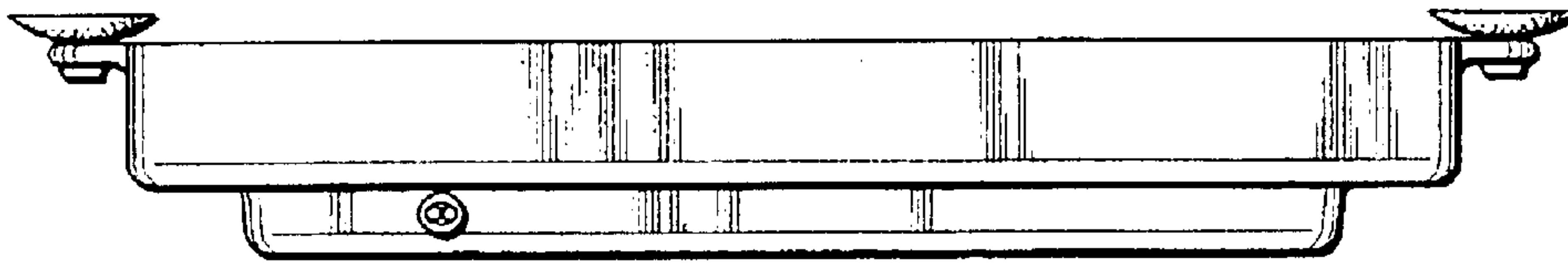


FIG. 3

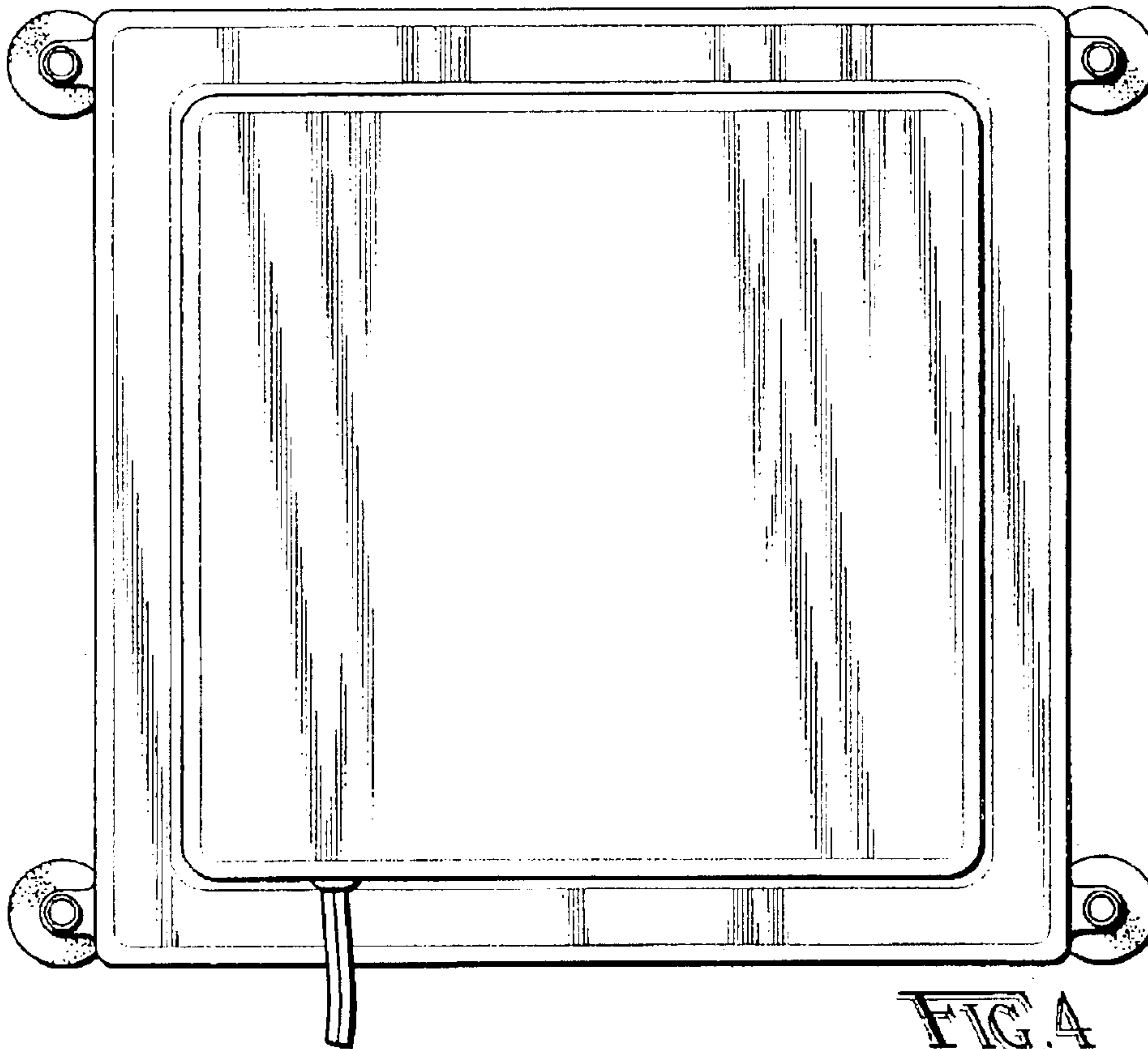


FIG. 4

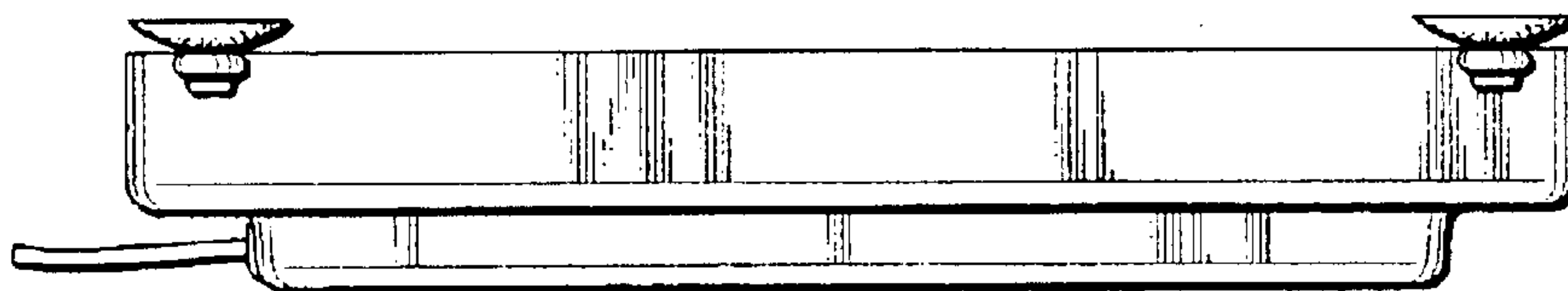


FIG. 5

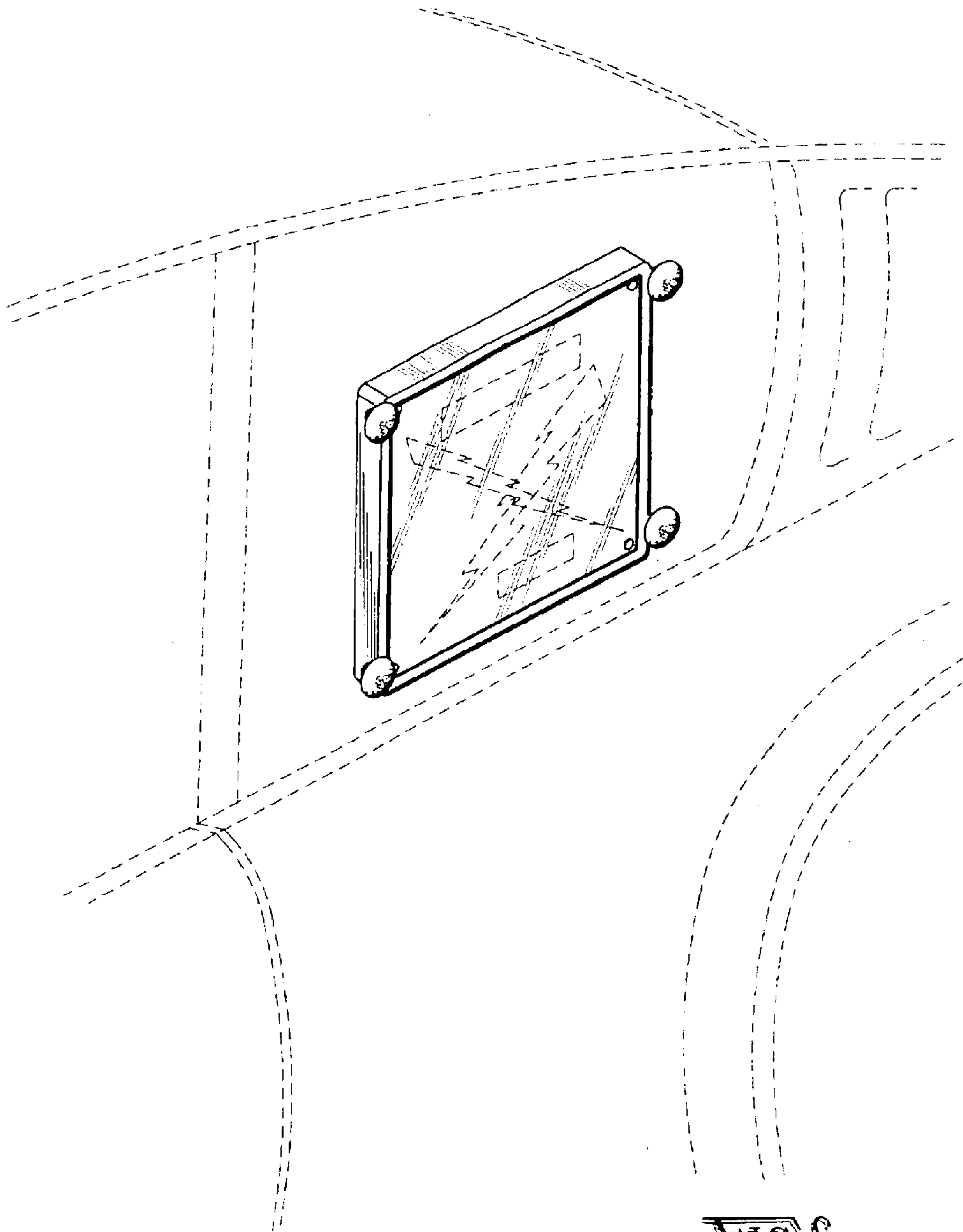


FIG. 6