

US00D497646S1

(12) **United States Design Patent**
Danon

(10) **Patent No.: US D497,646 S**

(45) **Date of Patent: ** Oct. 26, 2004**

(54) **SCISSOR HOLDER WITH BUILT IN PENCIL SHARPENER**

(75) **Inventor: Sandra R. Danon, Los Angeles, CA (US)**

(73) **Assignee: Stravina Operating Company, LLC, Chatsworth, CA (US)**

(**) **Term: 14 Years**

(21) **Appl. No.: 29/192,472**

(22) **Filed: Oct. 23, 2003**

(51) **LOC (7) Cl. 19-06**

(52) **U.S. Cl. D19/73; D19/75; D19/82; D8/57**

(58) **Field of Search D21/650; D19/65, D19/75, 77, 73, 74, 81-85, 95, 96, 97, 99, 100; D8/57, 102, 71, 104, 105; 144/28.1, 28.11, 28.2-28.9, 28.71, 28.72; 206/214, 224, 271; 312/352; 30/451, 453, 457, 462**

(56) **References Cited**

U.S. PATENT DOCUMENTS

D103,288 S * 2/1937 Ross D19/73
2,491,307 A * 12/1949 Fulton 312/352
D160,161 S * 9/1950 Gass D19/82
D179,223 S * 11/1956 Schwartz D8/102

D190,578 S * 6/1961 Salm et al. D8/104 X
D208,561 S * 9/1967 Dunbar D21/650
D234,058 S * 1/1975 Stahel D19/65 X
3,980,113 A * 9/1976 Birdsall 144/28.6
D338,041 S * 8/1993 Cheng D19/75
D359,214 S * 6/1995 Thomas D8/104
D416,047 S * 11/1999 Kwok D19/82
D436,132 S * 1/2001 Abbott D19/75

* cited by examiner

Primary Examiner—Martie K. Holtje

(74) *Attorney, Agent, or Firm*—Kelly Lowry & Kelley LLP

(57) **CLAIM**

The ornamental design for a scissor holder with built in pencil sharpener, as shown.

DESCRIPTION

FIG. 1 is a top front and side perspective view of a scissor holder with built in pencil sharpener embodying my new design;

FIG. 2 is a top elevational view thereof;

FIG. 3 is a bottom elevational view thereof;

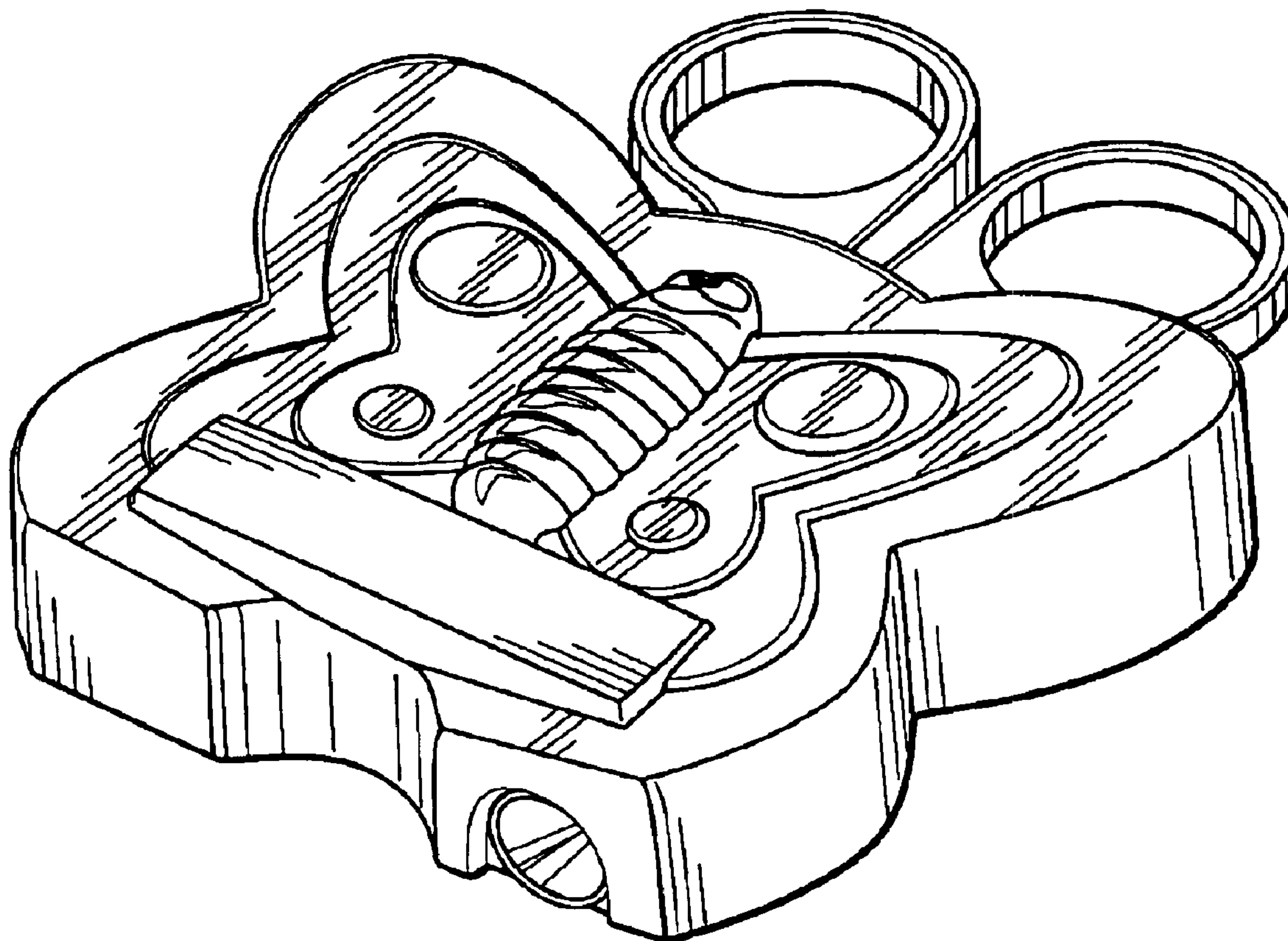
FIG. 4 is a right side elevational view thereof;

FIG. 5 is a left side elevational view thereof;

FIG. 6 is a rear elevational view thereof; and,

FIG. 7 is a front elevational view thereof.

1 Claim, 2 Drawing Sheets



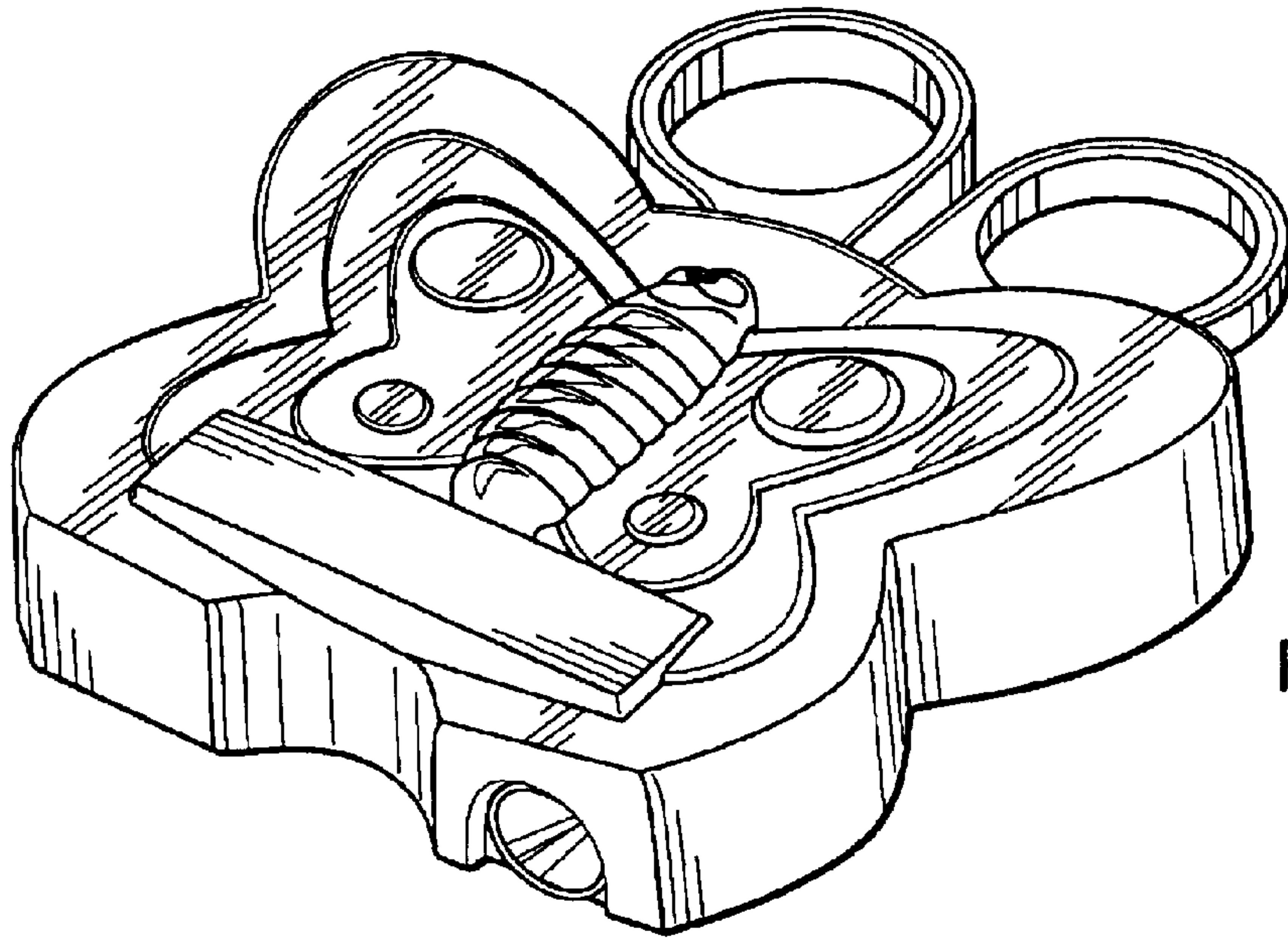


FIG. 1

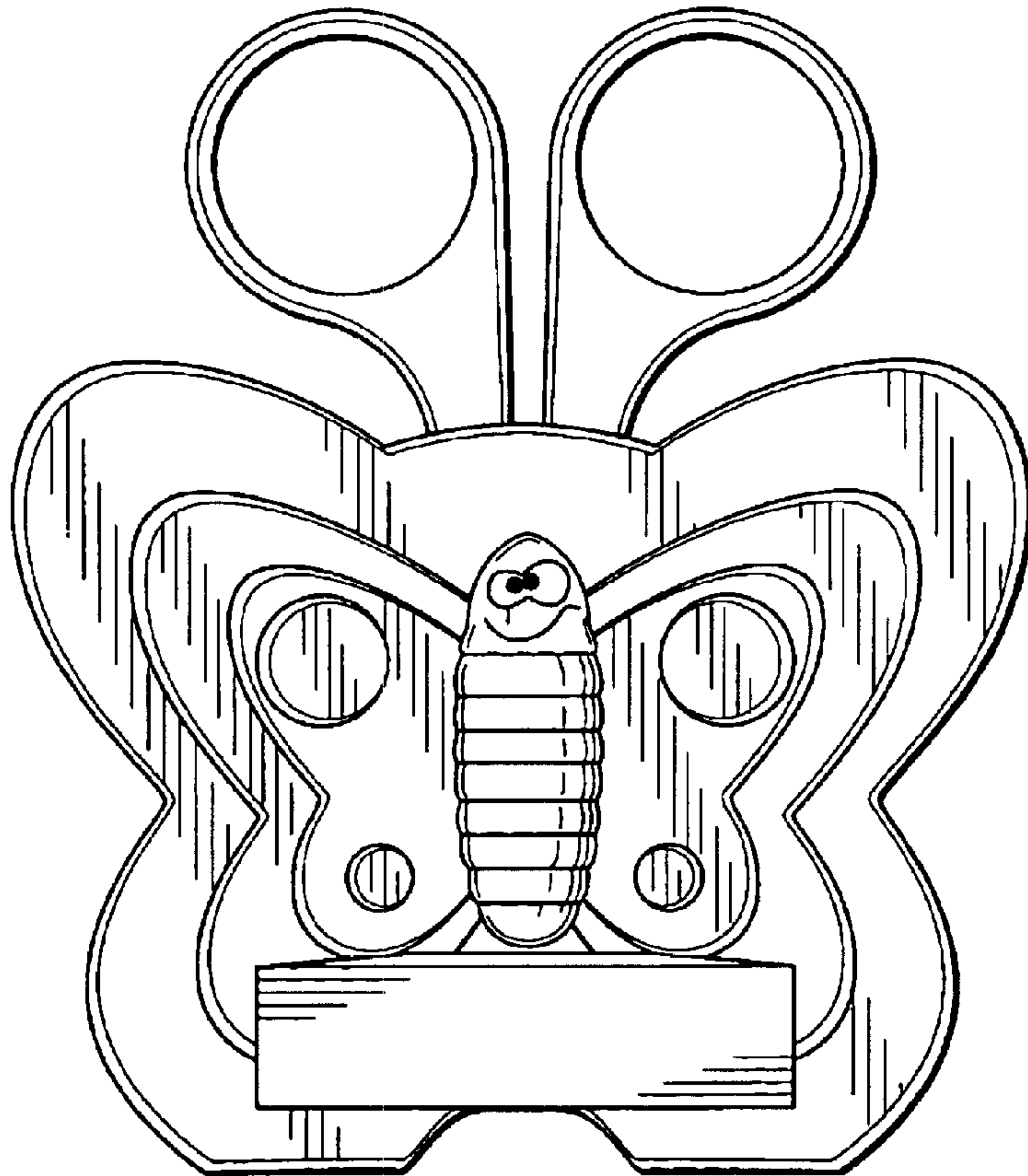


FIG. 2

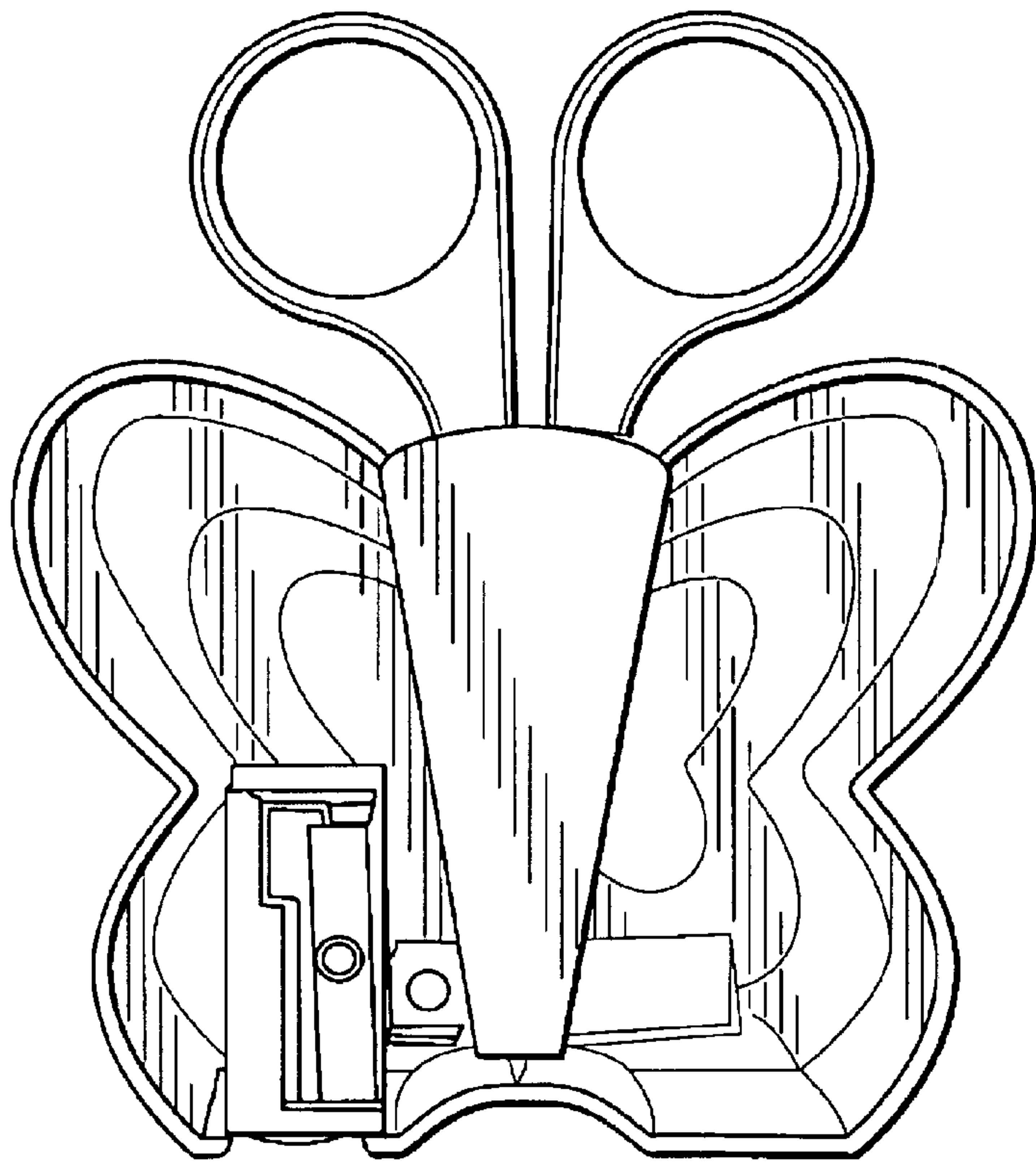


FIG. 3

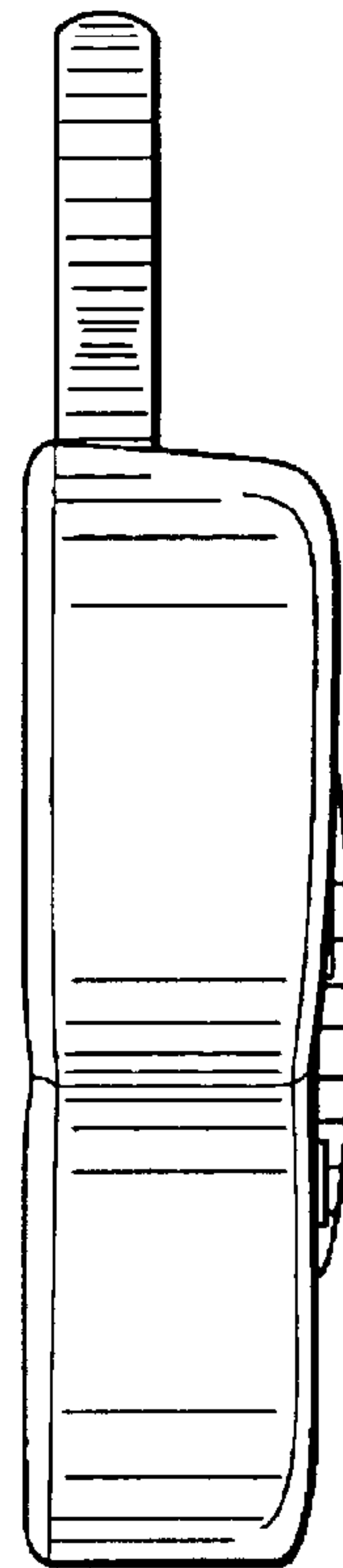


FIG. 4

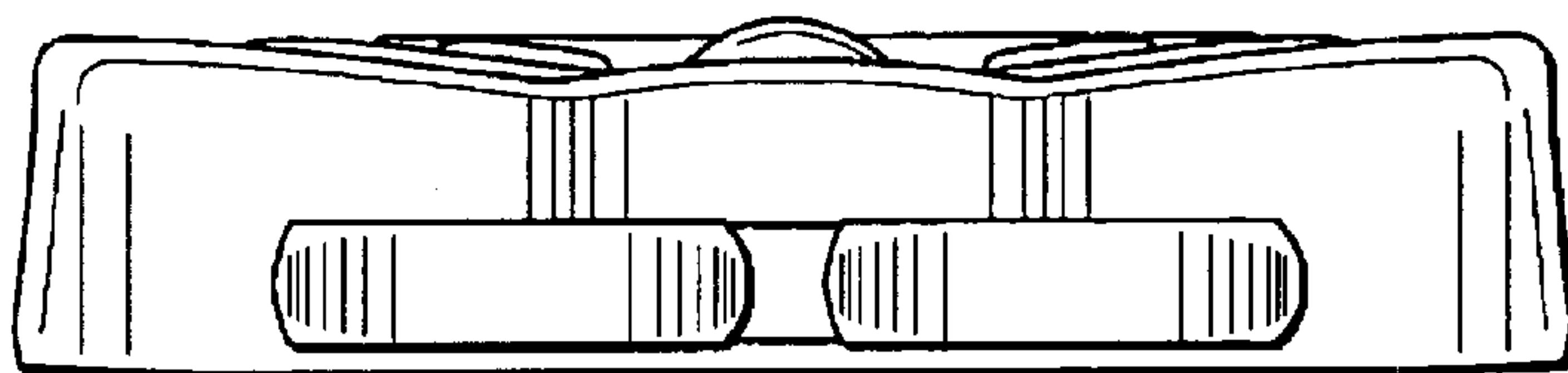


FIG. 6

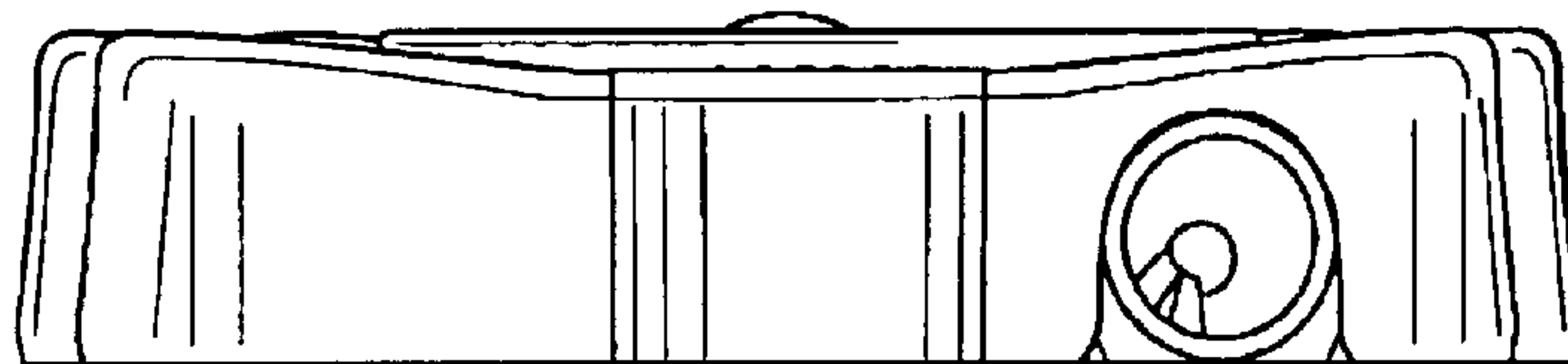


FIG. 7

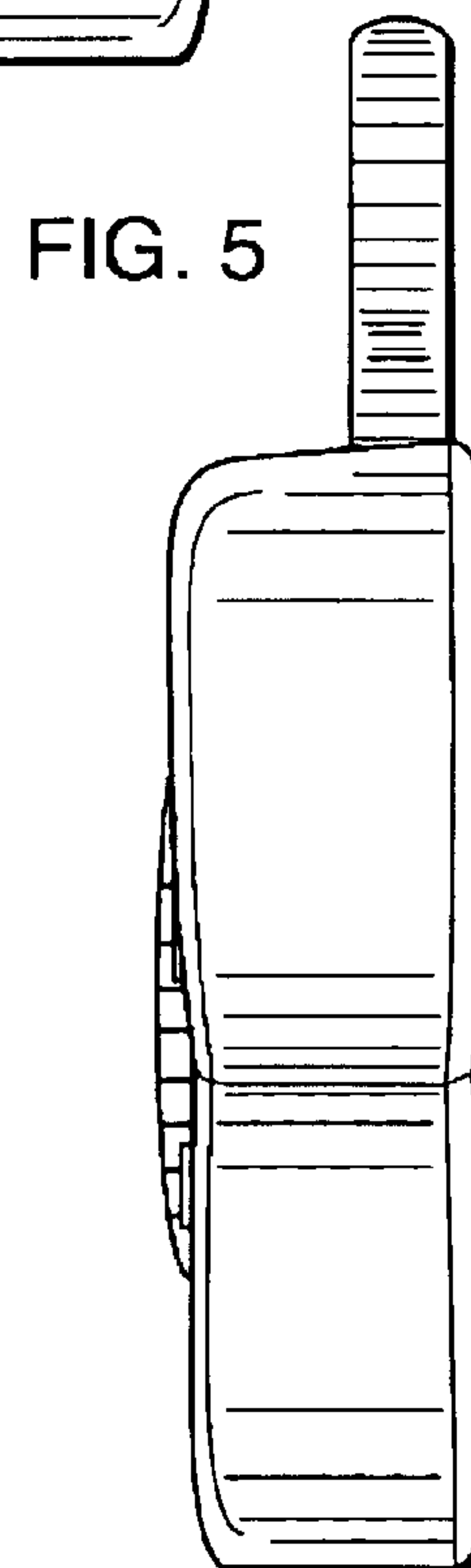


FIG. 5