

US00D497633S1

(12) **United States Design Patent**
Sasaki et al.

(10) **Patent No.:** **US D497,633 S**
(45) **Date of Patent:** **** Oct. 26, 2004**

(54) **INK CARTRIDGE**

D477,020 S * 7/2003 Seino D18/56

(75) Inventors: **Toyonori Sasaki**, Anjyo (JP);
Mitsuharu Hattori, Nagoya (JP);
Toshiya Inada, Nagoya (JP); **Makoto Yamada**, Gifu (JP)

* cited by examiner

Primary Examiner—Cathy Anne MacCormac
(74) *Attorney, Agent, or Firm*—McKenna Long & Aldridge LLP

(73) Assignee: **Brothers Industries, Ltd.**, Aichi-ken (JP)

(57) **CLAIM**

(**) Term: **14 Years**

The ornamental design for an ink cartridge, as shown and described.

(21) Appl. No.: **29/174,535**

DESCRIPTION

(22) Filed: **Jan. 22, 2003**

(30) **Foreign Application Priority Data**

Jul. 23, 2002 (JP) 2002-019755

(51) **LOC (7) Cl.** **18-02**

(52) **U.S. Cl.** **D18/56**; 347/86

(58) **Field of Search** D18/50, 40, 43;
347/86, 87

FIG. 1 is a front elevation view of our new design;
FIG. 2 is a top plan view thereof;
FIG. 3 is a right side view thereof;
FIG. 4 is a left side view thereof;
FIG. 5 is a rear elevation view thereof;
FIG. 6 is a bottom plan view thereof;
FIG. 7 is a top perspective view thereof;
FIG. 8 is a bottom perspective view thereof;
FIG. 9 is a cross-sectional view taken along line 9—9 on FIG. 6;
FIG. 10 is a cross-sectional view taken along line 10—10 on FIG. 6;
FIG. 11 is an enlarged cross-sectional view taken along line 11—11 on FIG. 6;
FIG. 12 is a cross-sectional view taken along line 12—12 on FIG. 6;
FIG. 13 is a cross-sectional view taken along line 13—13 on FIG. 6; and,
FIG. 14 is an enlarged sectional view taken on line 14—14 on FIG. 6.

(56) **References Cited**

U.S. PATENT DOCUMENTS

- 4,673,955 A * 6/1987 Ameyama et al. 347/86
- D390,869 S * 2/1998 Tashiro et al. D18/56
- D410,949 S * 6/1999 Fowkes D18/56
- D425,553 S * 5/2000 Gasvoda et al. D18/56
- D430,897 S * 9/2000 Bishop et al. D18/56
- D432,567 S * 10/2000 Gasvoda et al. D18/56
- D439,610 S * 3/2001 Inoue D18/56
- D462,089 S * 8/2002 Trafton et al. D18/56
- D466,925 S * 12/2002 Ishizawa et al. D18/56
- D475,402 S * 6/2003 Nakayama et al. D18/56

1 Claim, 5 Drawing Sheets

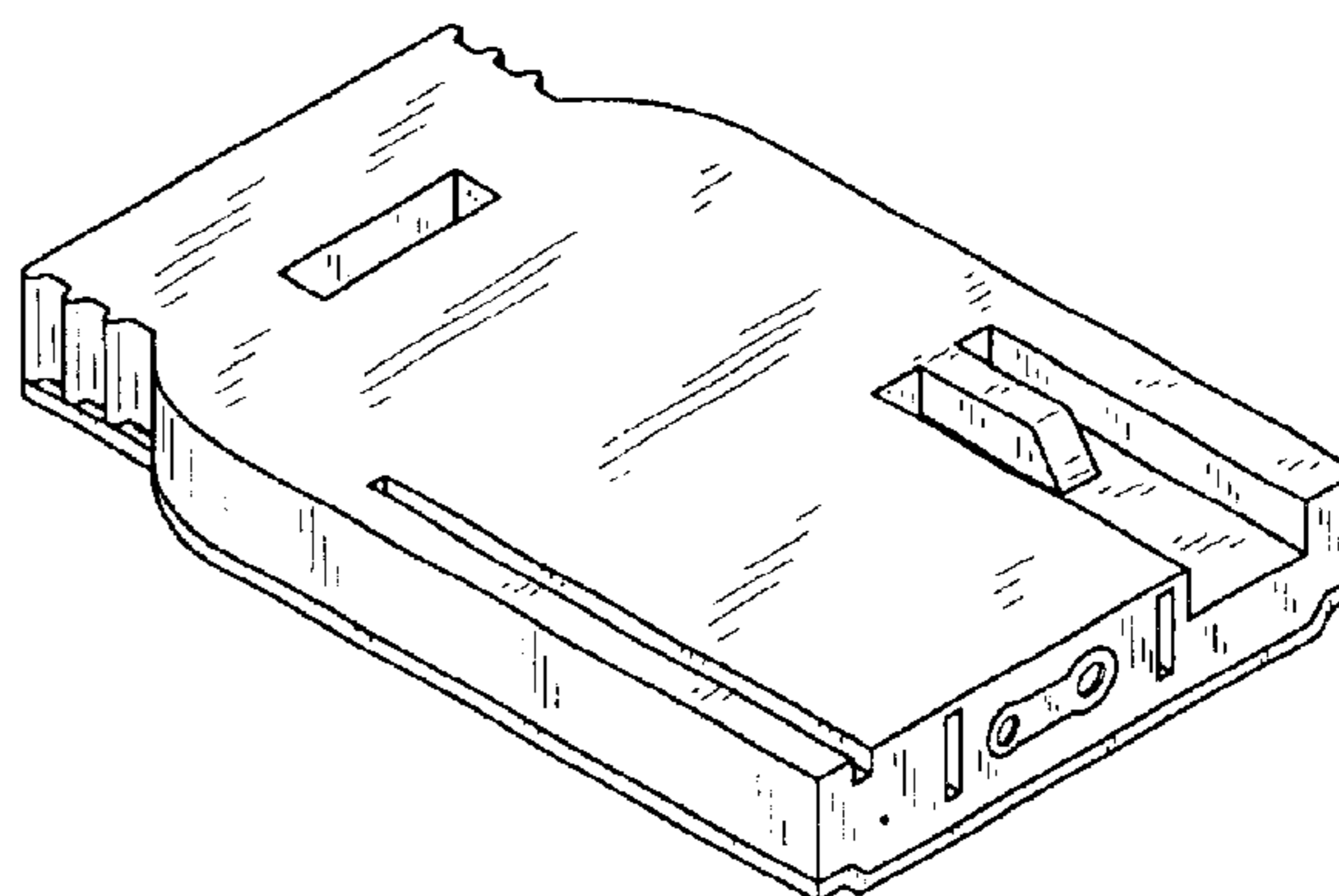
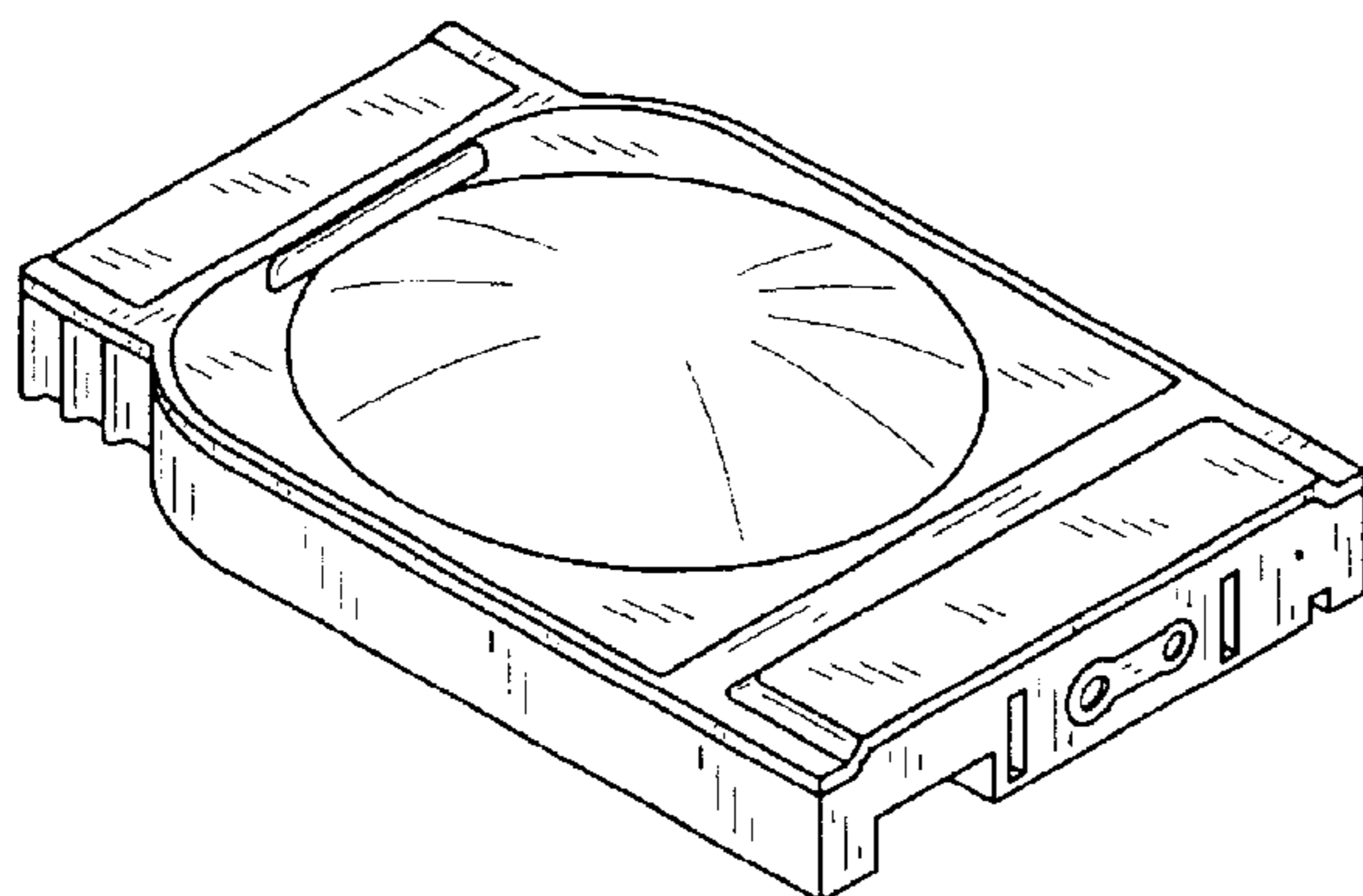


FIG. 1

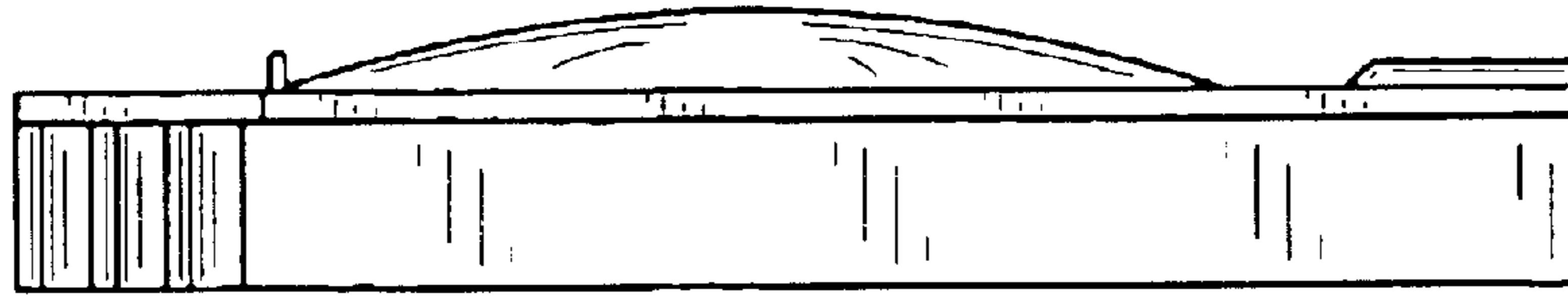


FIG. 2

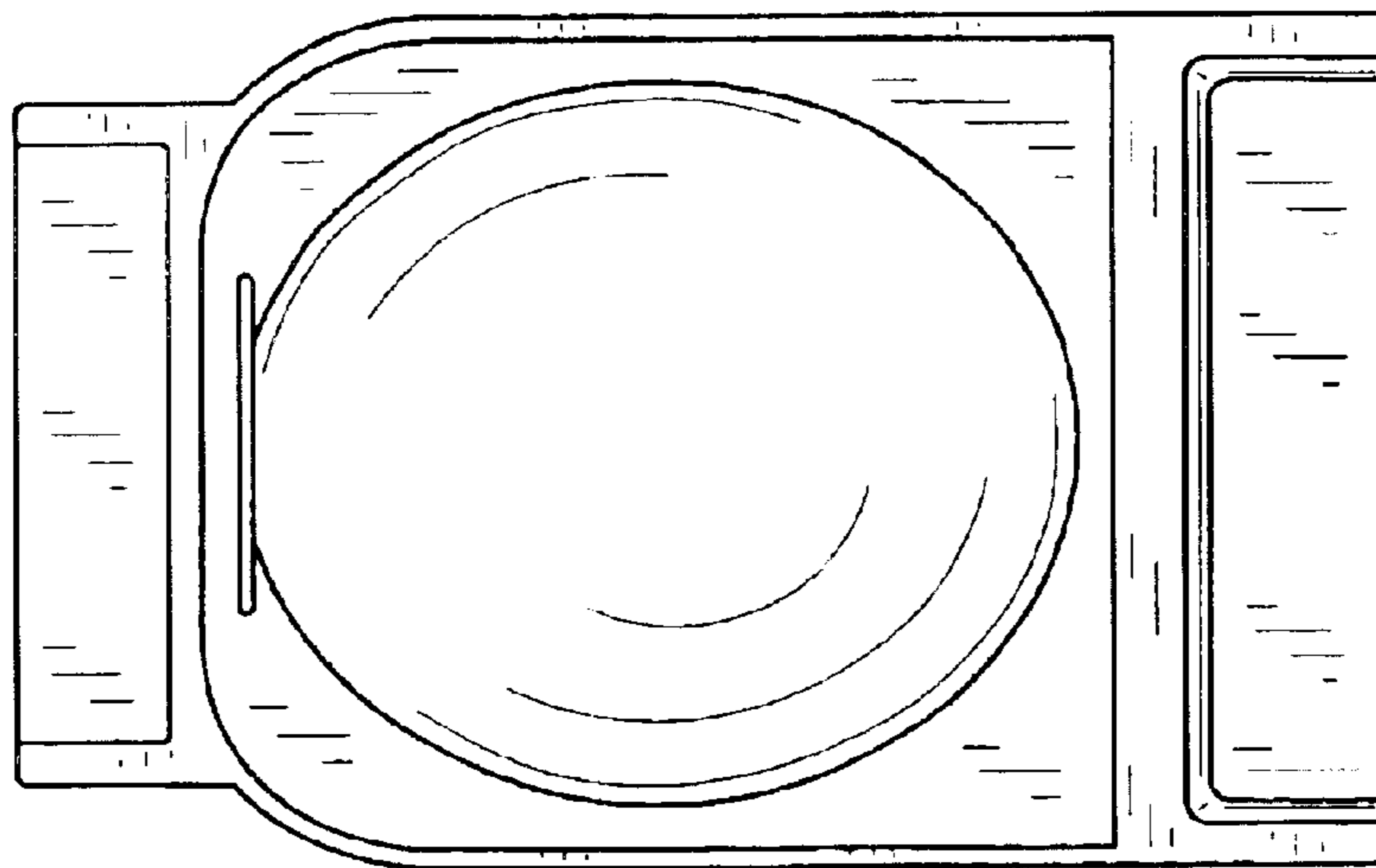


FIG. 3

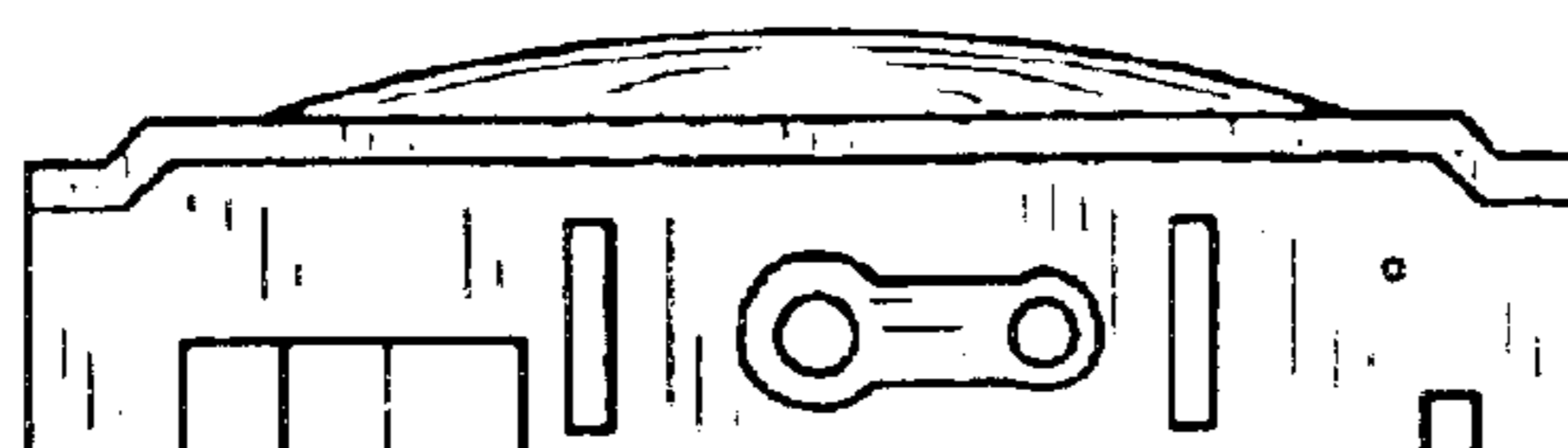


FIG. 4

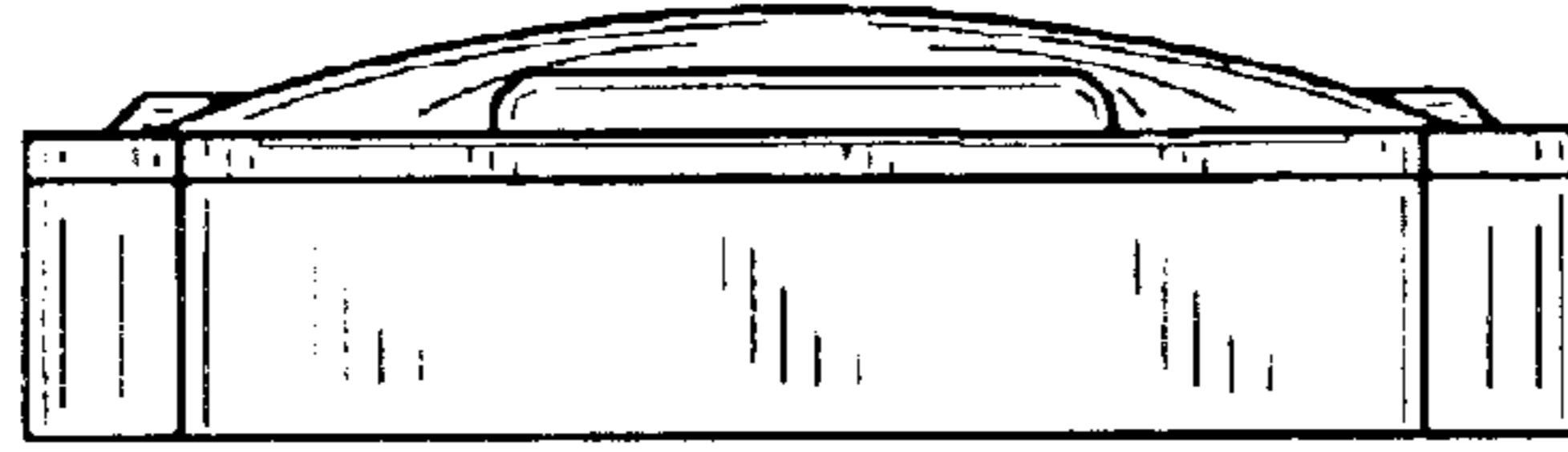


FIG. 5

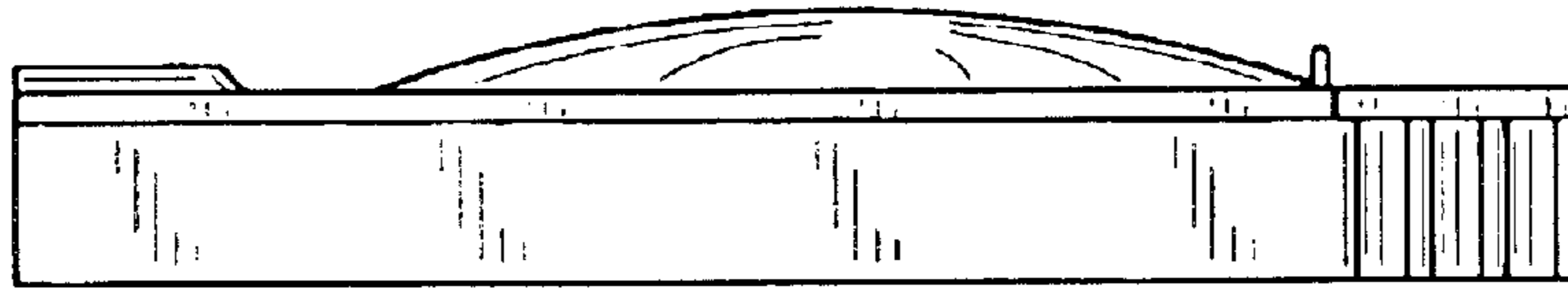


FIG. 6

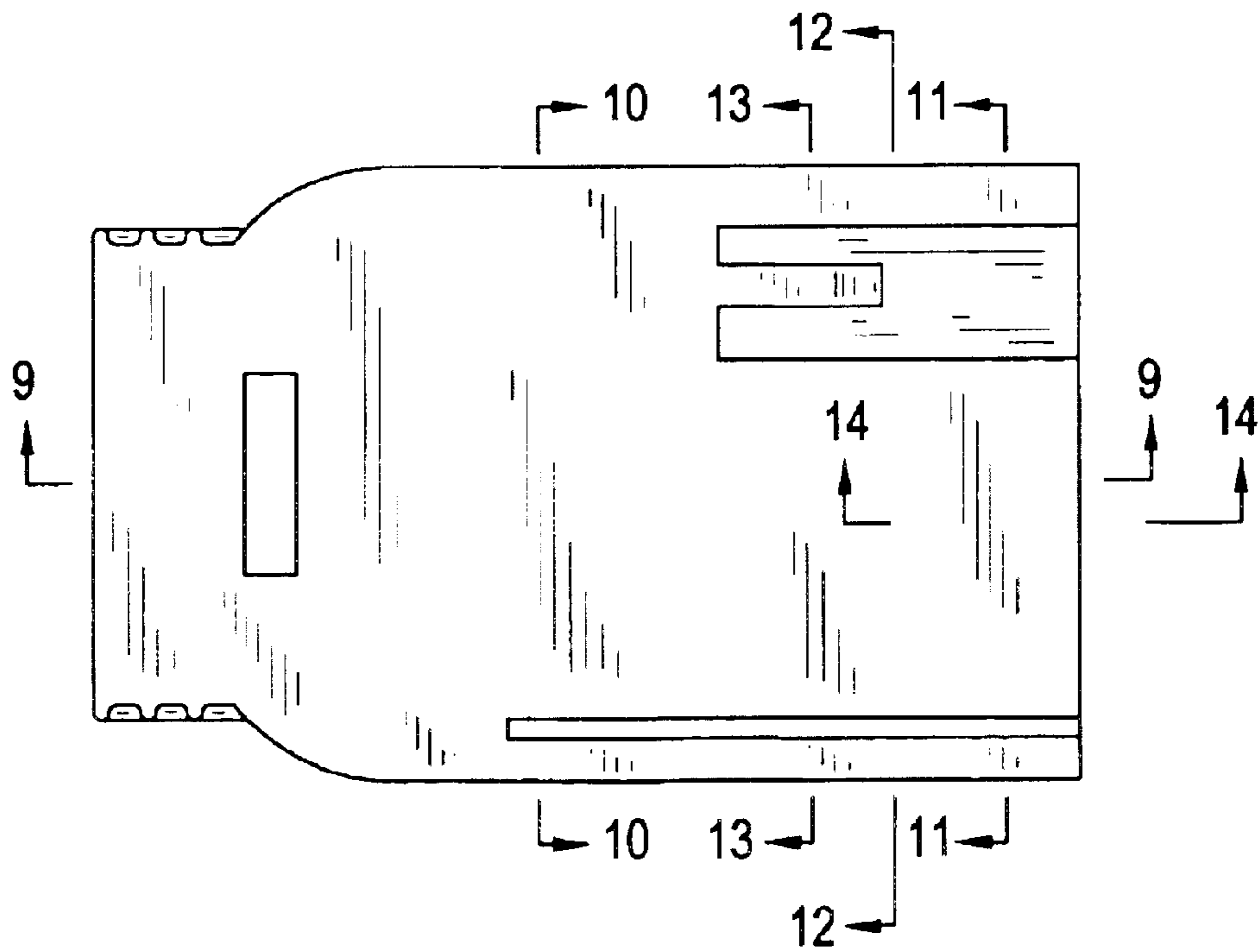


FIG. 7

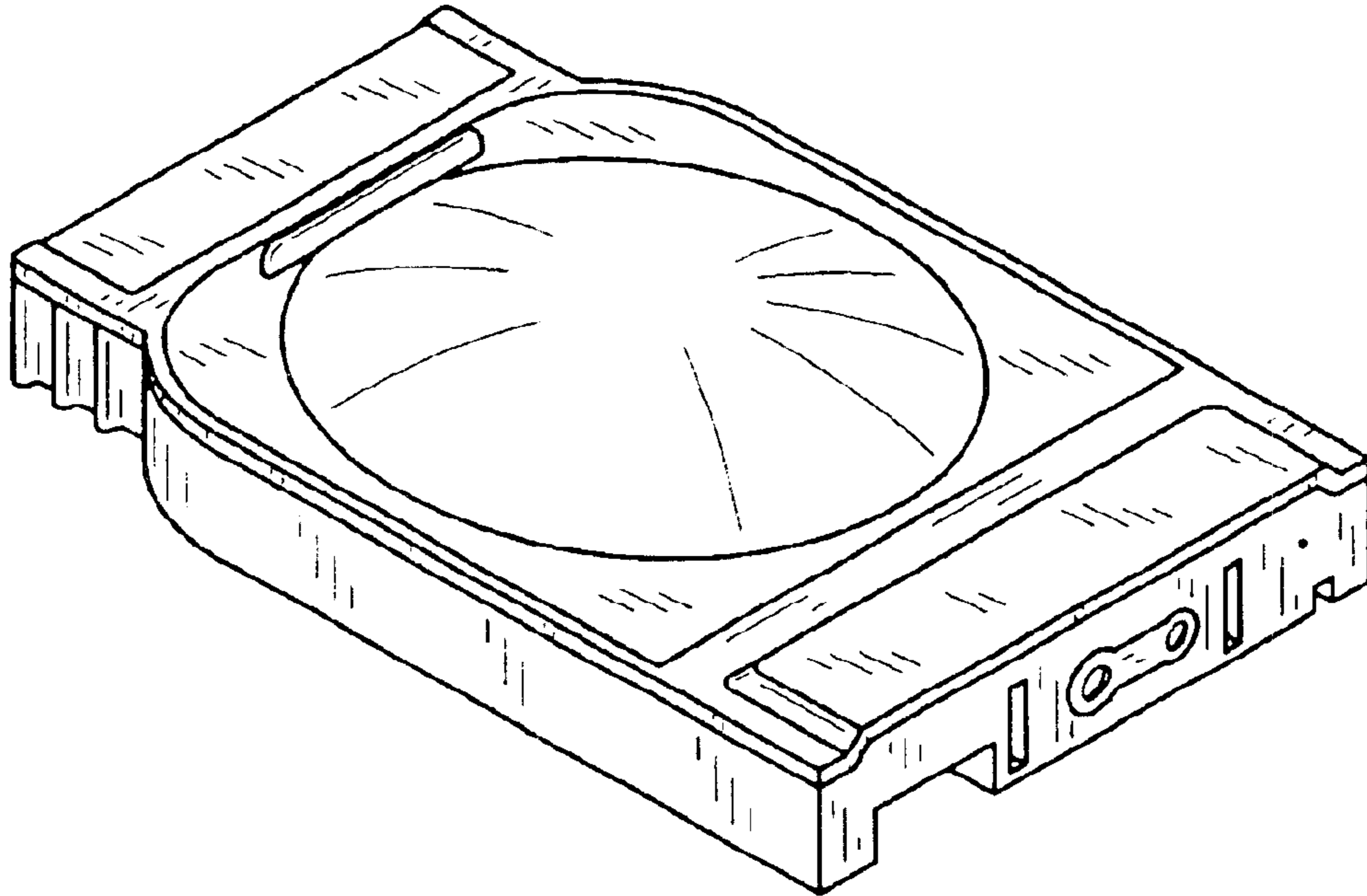


FIG. 8

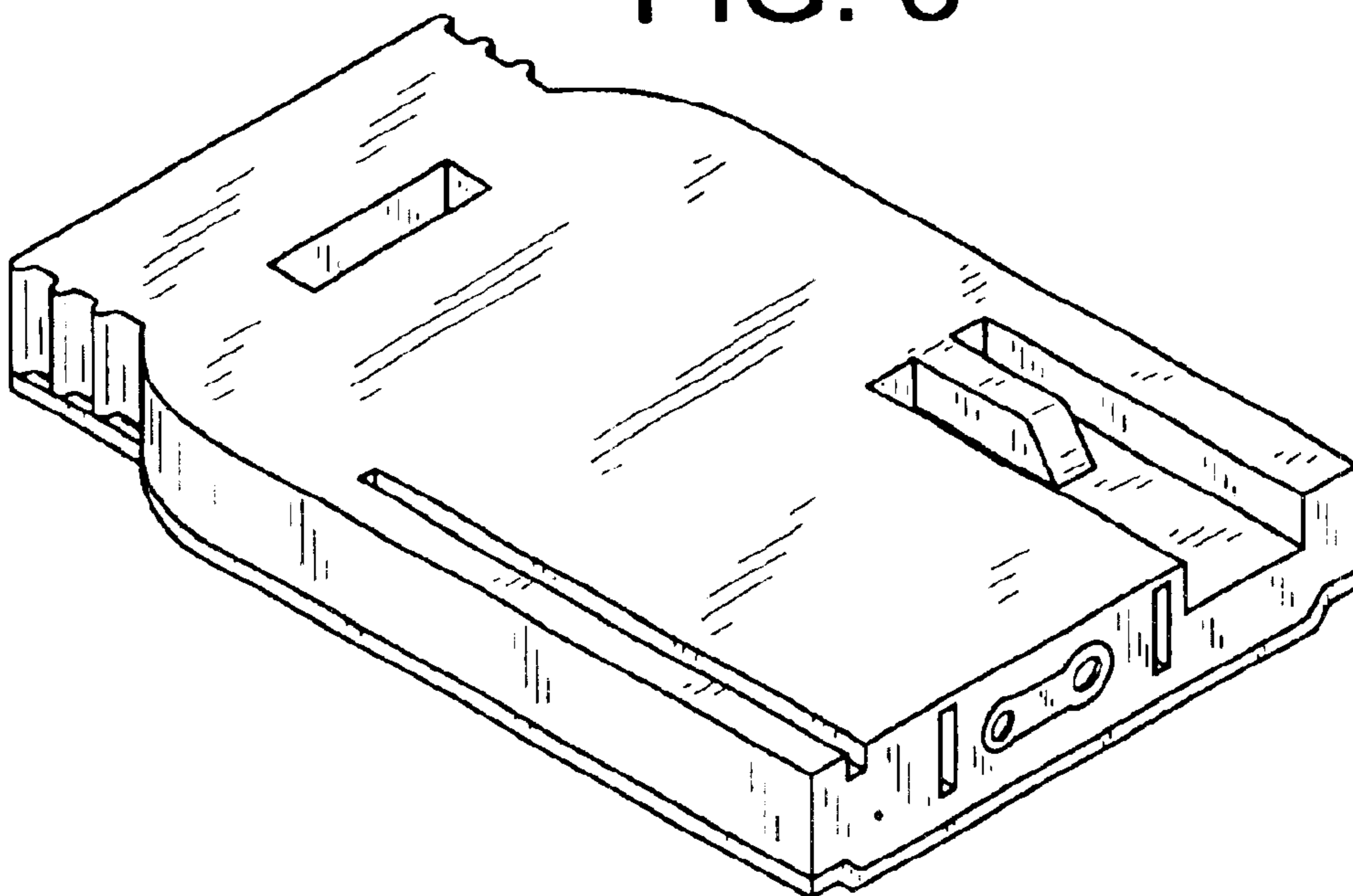


FIG. 9

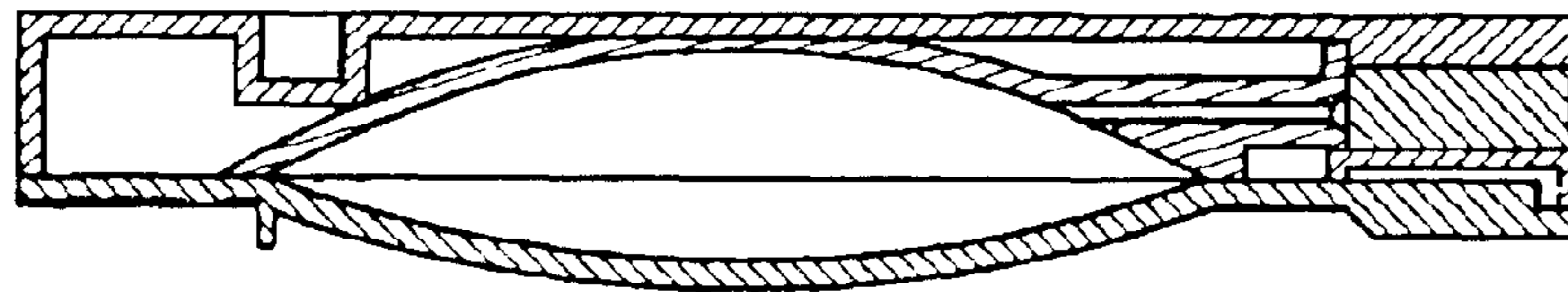


FIG. 10

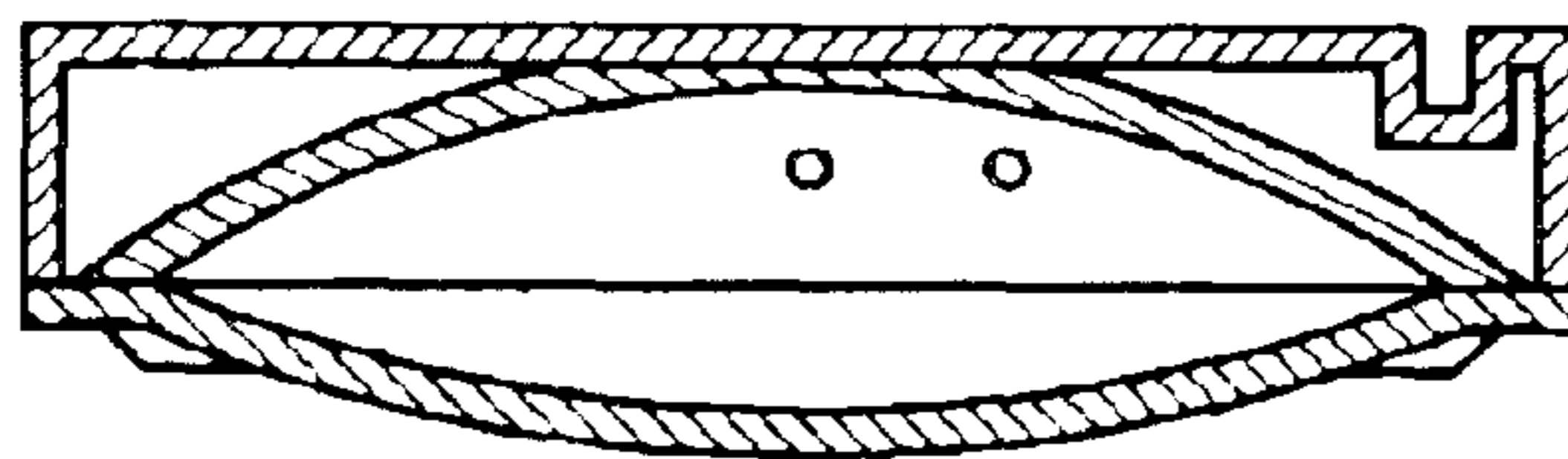


FIG. 11

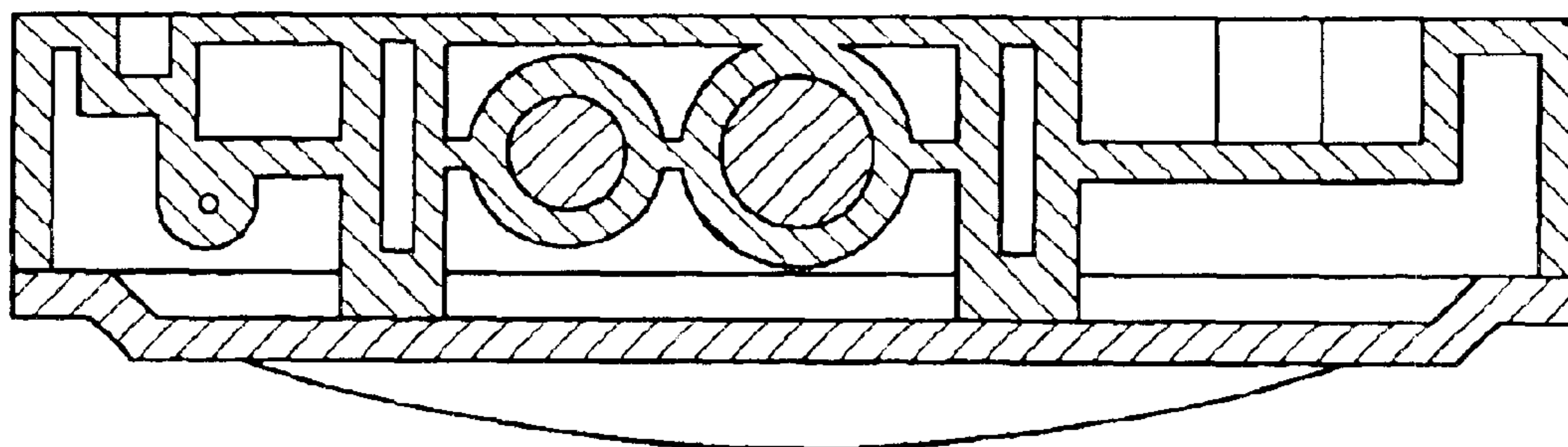


FIG. 12

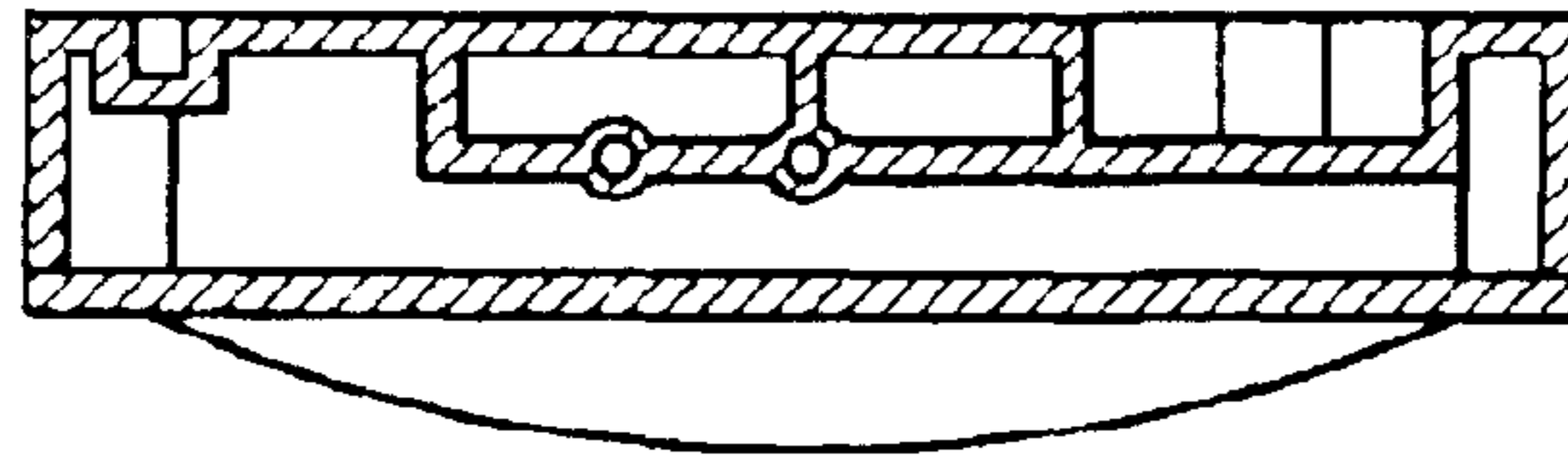


FIG. 13

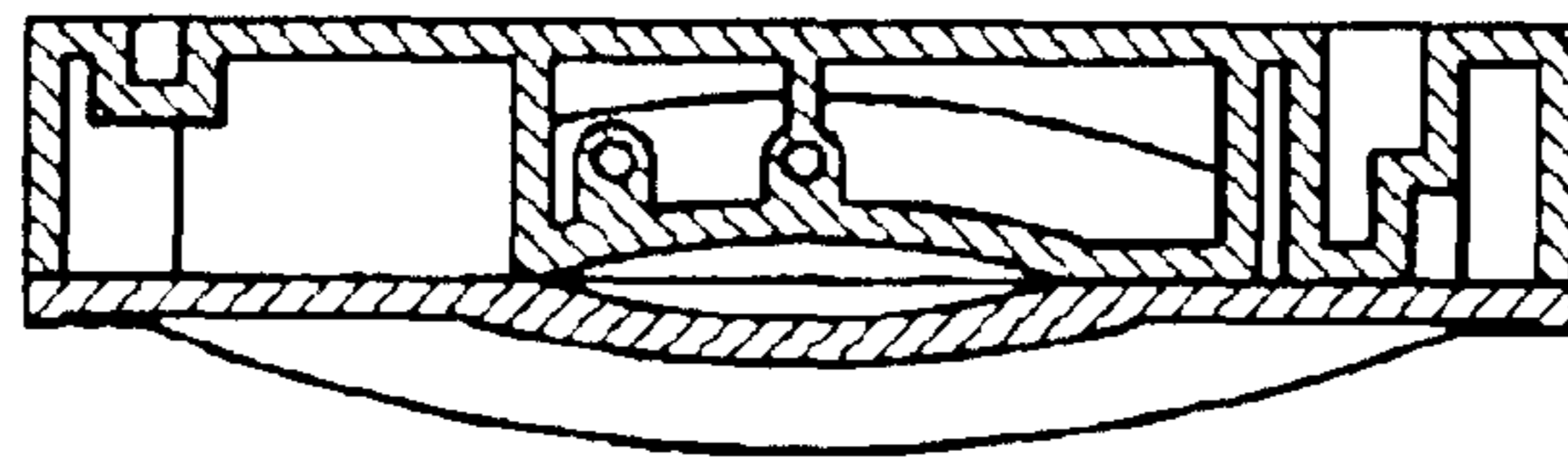


FIG. 14

