



US00D497627S1

(12) **United States Design Patent**  
**Inaba**

(10) **Patent No.:** **US D497,627 S**  
(45) **Date of Patent:** **\*\* Oct. 26, 2004**

(54) **TELEVISION RECEIVER**

JP 1169243 3/2003

(75) Inventor: **Junichi Inaba**, Tokyo (JP)

**OTHER PUBLICATIONS**

(73) Assignee: **Pioneer Corporation**, Tokyo (JP)

Catalogue of Pioneer's television receiver issued on Feb. 1999 (back page).

(\*\*) Term: **14 Years**

Catalogue of Pioneer's display issued on Sep. 2000 (p. 2, 7, back page).

(21) Appl. No.: **29/189,105**

Catalogue of Pioneer's home entertainment issued on Mar. 2003 (p. 40).

(22) Filed: **Aug. 29, 2003**

\* cited by examiner

(30) **Foreign Application Priority Data**

Mar. 4, 2003 (JP) ..... 2003-005502  
Mar. 4, 2003 (JP) ..... 2003-005503

*Primary Examiner*—Raphael Barkai

(74) *Attorney, Agent, or Firm*—Sughrue Mion, PLLC

(51) **LOC (7) Cl.** ..... **16-06**

(57) **CLAIM**

(52) **U.S. Cl.** ..... **D16/326**

The ornamental design for a television receiver, as shown.

(58) **Field of Search** ..... D14/125–134,  
D14/371, 374–375, 239; 312/7.2; 348/836,  
838, 180, 184; 248/917–924; 341/12; 349/1,  
2, 11, 62

**DESCRIPTION**

FIG. 1 is a top plan view of a television receiver showing my new design;

(56) **References Cited**

**U.S. PATENT DOCUMENTS**

D454,845 S \* 3/2002 Niitsu ..... D14/126  
D458,237 S \* 6/2002 Niitsu ..... D14/126  
D475,356 S \* 6/2003 Niitsu ..... D14/126  
D479,209 S \* 9/2003 Teng et al. .... D14/126

FIG. 2 is a front elevational view thereof;

FIG. 3 is a bottom plain view thereof;

FIG. 4 is a rear elevational view thereof;

FIG. 5 is a left side elevational view thereof;

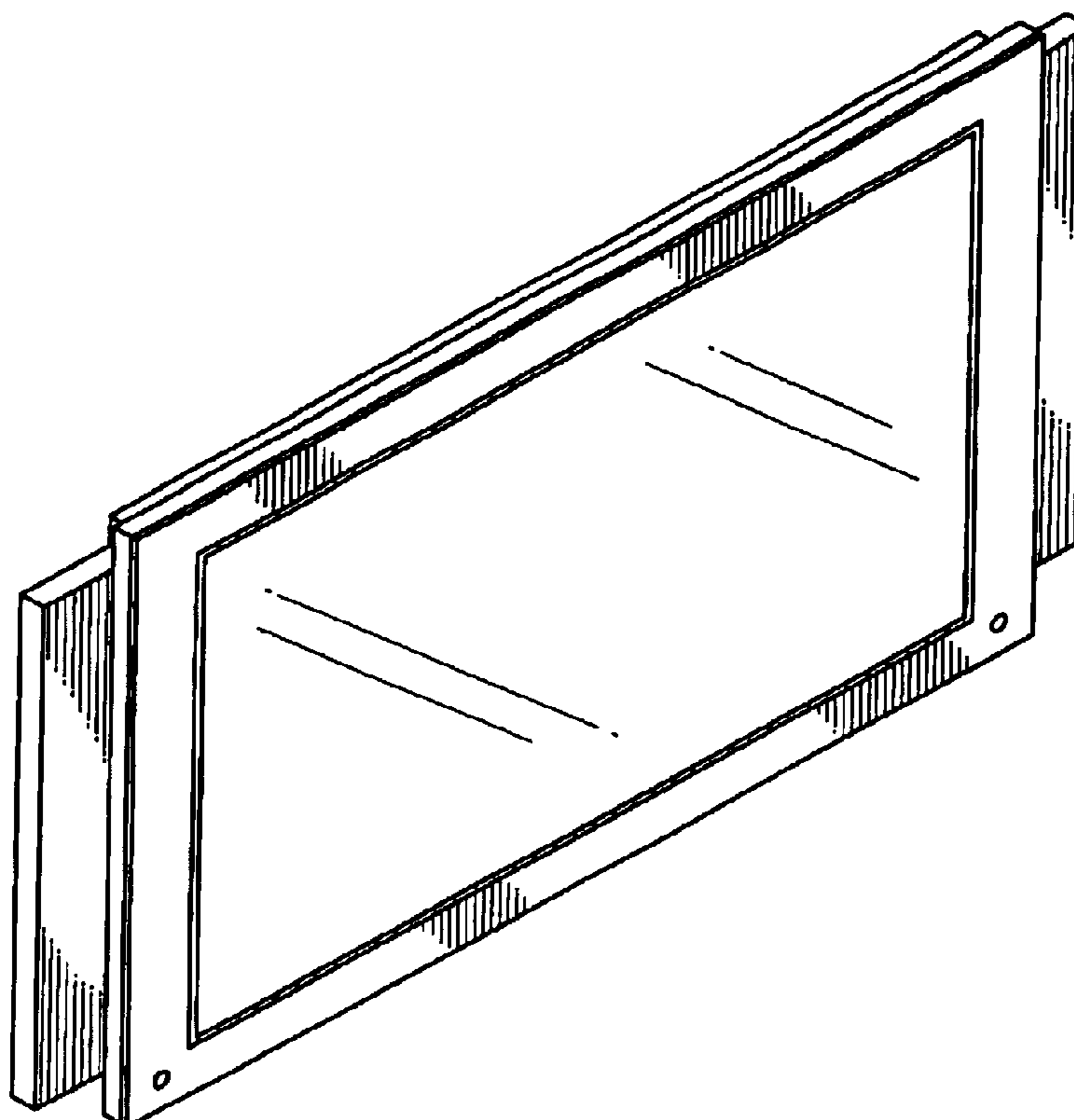
FIG. 6 is a right side elevational view thereof; and,

FIG. 7 is a perspective view of the top, front and left side thereof.

**FOREIGN PATENT DOCUMENTS**

JP 1157263 11/2002

**1 Claim, 3 Drawing Sheets**



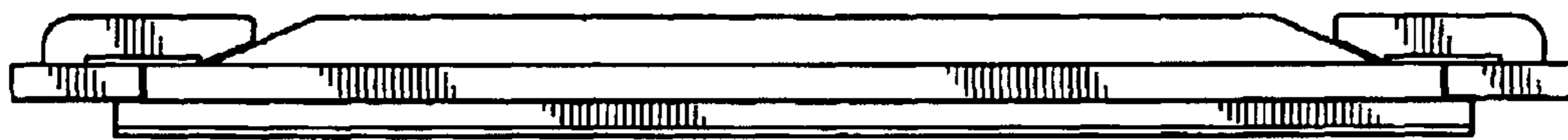


FIG. 1

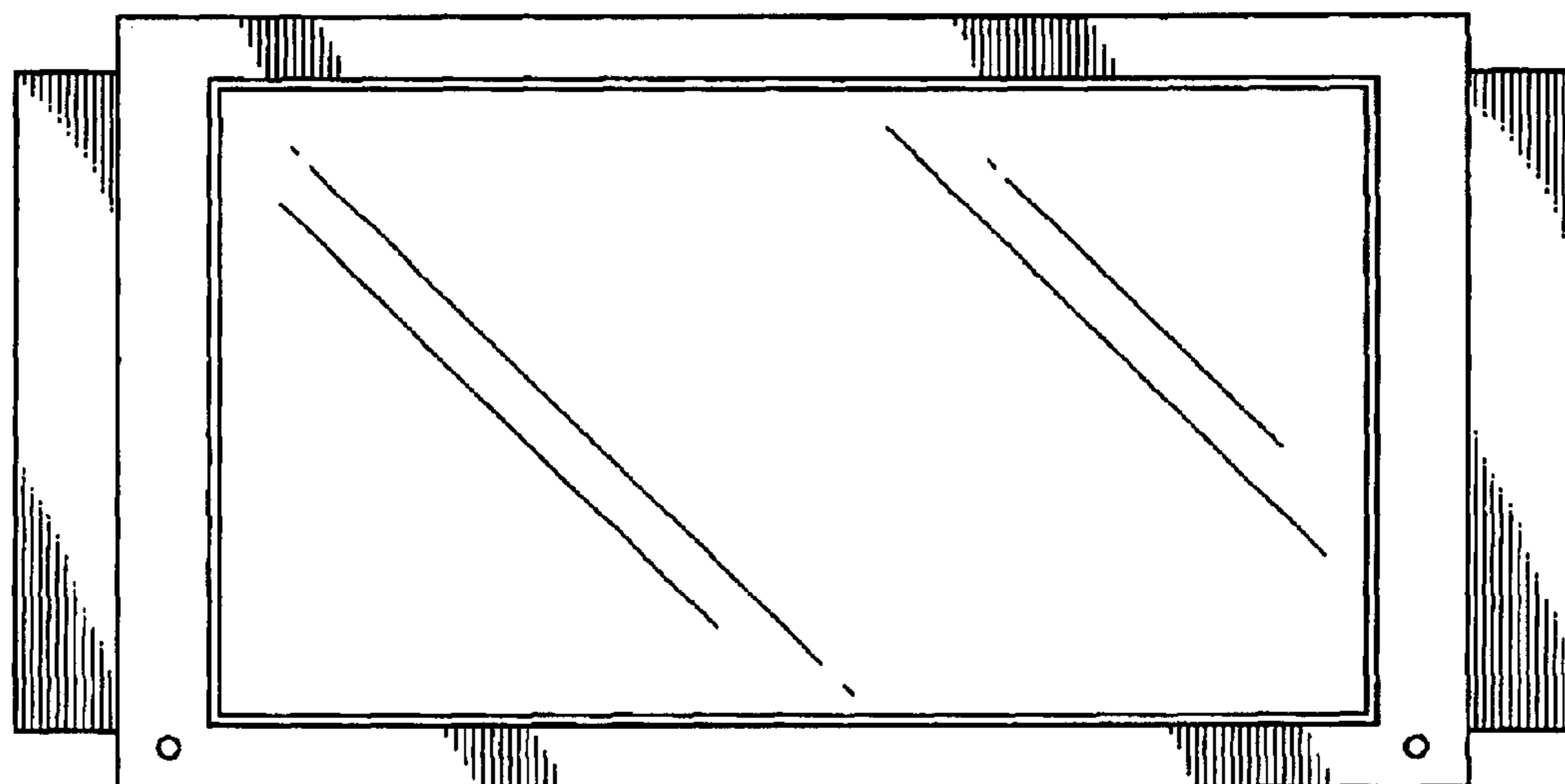


FIG. 2

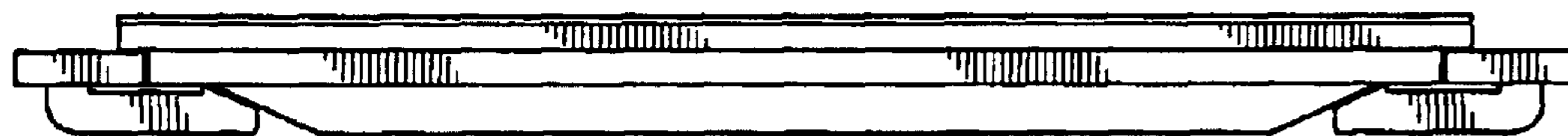


FIG. 3

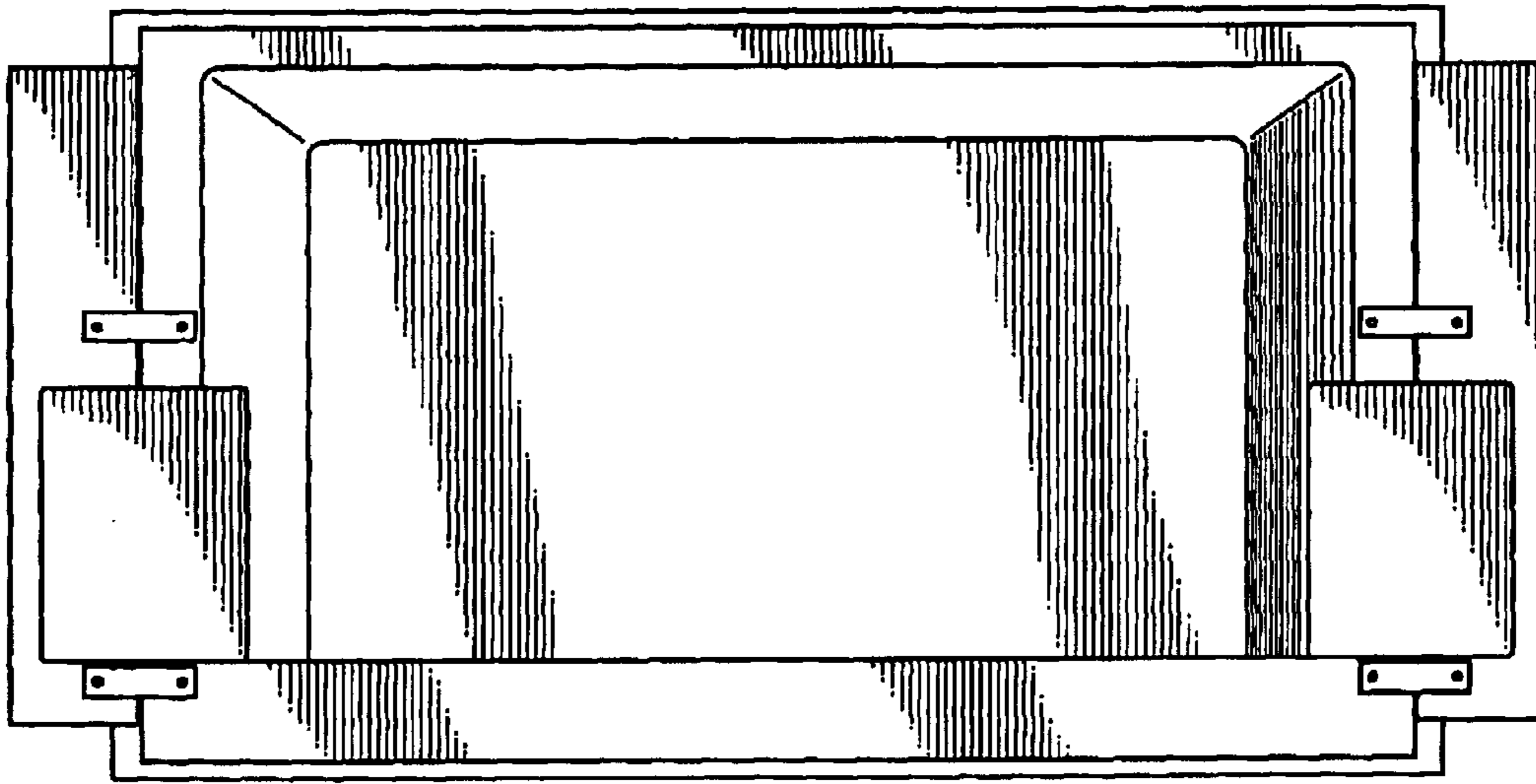


FIG. 4

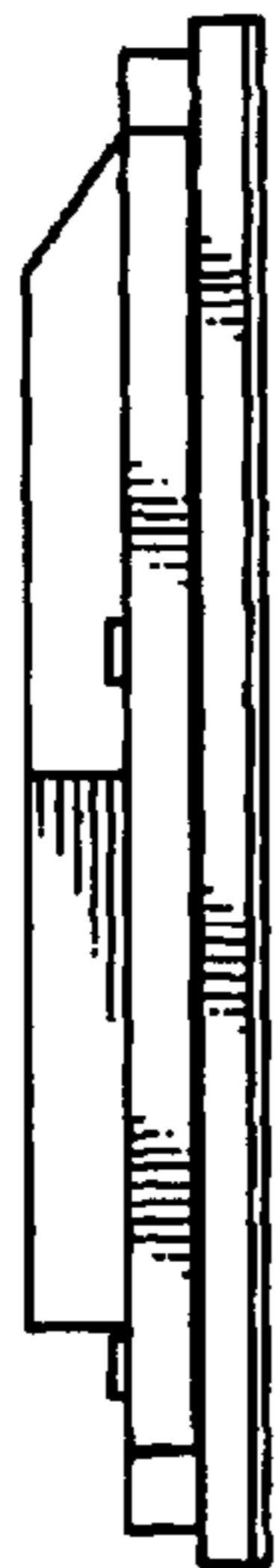


FIG. 5

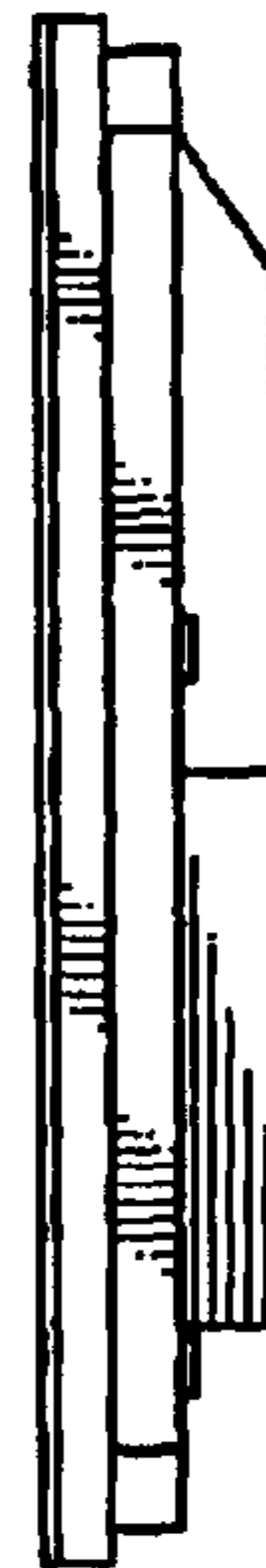


FIG. 6

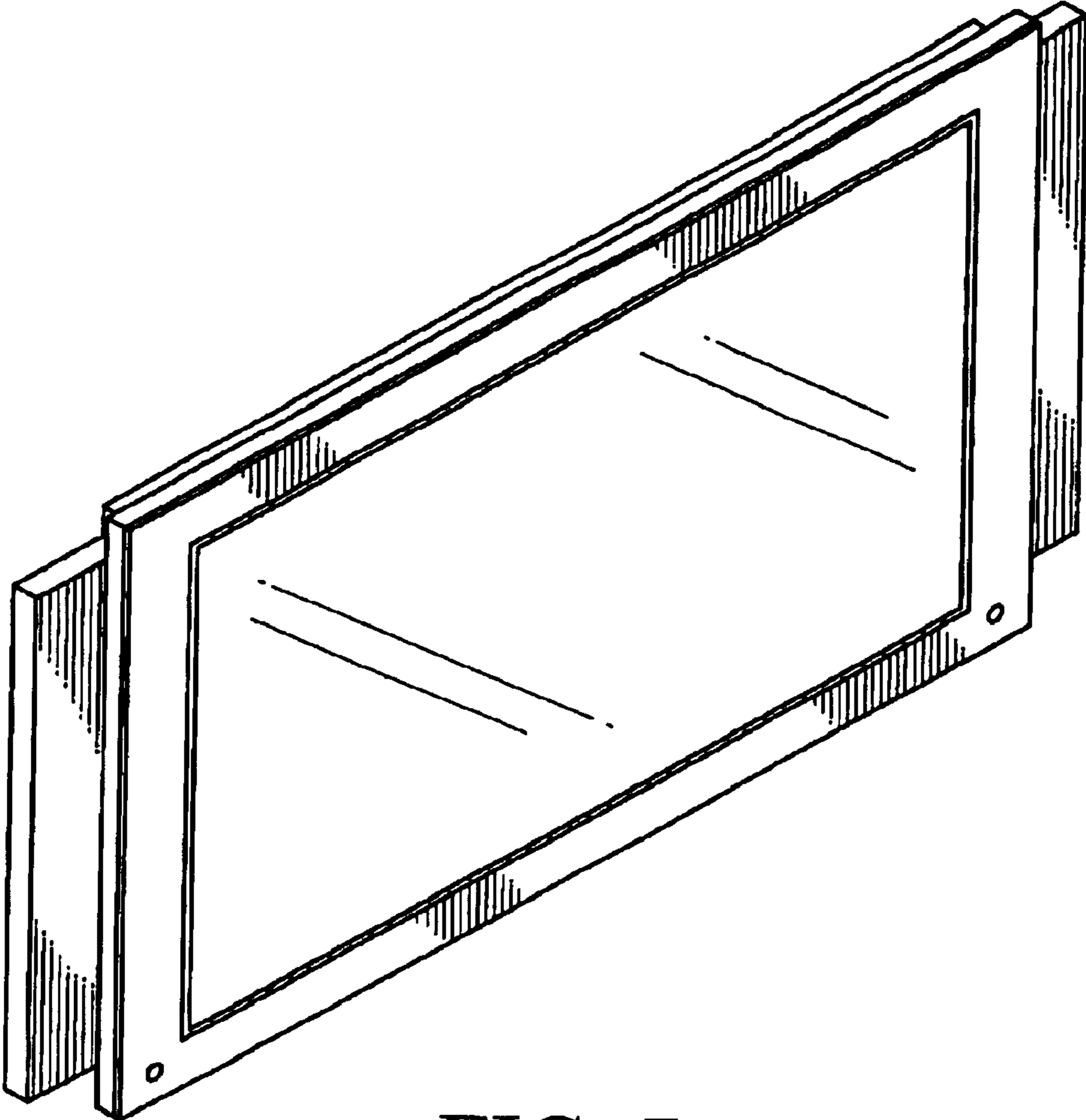


FIG. 7