



US00D497623S1

(12) **United States Design Patent**
Nakayama

(10) **Patent No.:** **US D497,623 S**

(45) **Date of Patent:** **** Oct. 26, 2004**

(54) **SUPPORT COLUMN FOR MACHINING CENTER**

(75) **Inventor:** **Daisuke Nakayama, Nagoya (JP)**

(73) **Assignee:** **Brother Industries, Limited, Nagoya (JP)**

(**) **Term:** **14 Years**

(21) **Appl. No.:** **29/196,671**

(22) **Filed:** **Jan. 5, 2004**

(30) **Foreign Application Priority Data**

Jul. 7, 2003 (JP) 2003-019524

(51) **LOC (7) Cl.** **15-09**

(52) **U.S. Cl.** **D15/141**

(58) **Field of Search** D15/127, 132,
D15/141, 122, 124, 199; D25/119-135;
52/731.1, 731.2, 731.7, 731.8, 731.9; 483/17-57;
29/26 R, 26 A, 30, 34 R, 563-56, 564.1-564,
39, 50

(56) **References Cited**

U.S. PATENT DOCUMENTS

4,752,058 A * 6/1988 Weber 248/638

D389,253 S * 1/1998 Alberson et al. D25/133
6,378,256 B1 * 4/2002 Gembala 52/301
2002/0094235 A1 * 7/2002 King 404/6
2002/0174954 A1 * 11/2002 Busseuil et al. 156/349
2003/0163970 A1 * 9/2003 Moore et al. 52/731.5

* cited by examiner

Primary Examiner—Antoine D. Davis

Assistant Examiner—L. Williams

(74) *Attorney, Agent, or Firm*—Oliff & Berridge, PLC

(57) **CLAIM**

The ornamental design for a support column for machining center, as shown and described.

DESCRIPTION

FIG. 1 is a front view of a support column for machining center;

FIG. 2 is a right side view thereof;

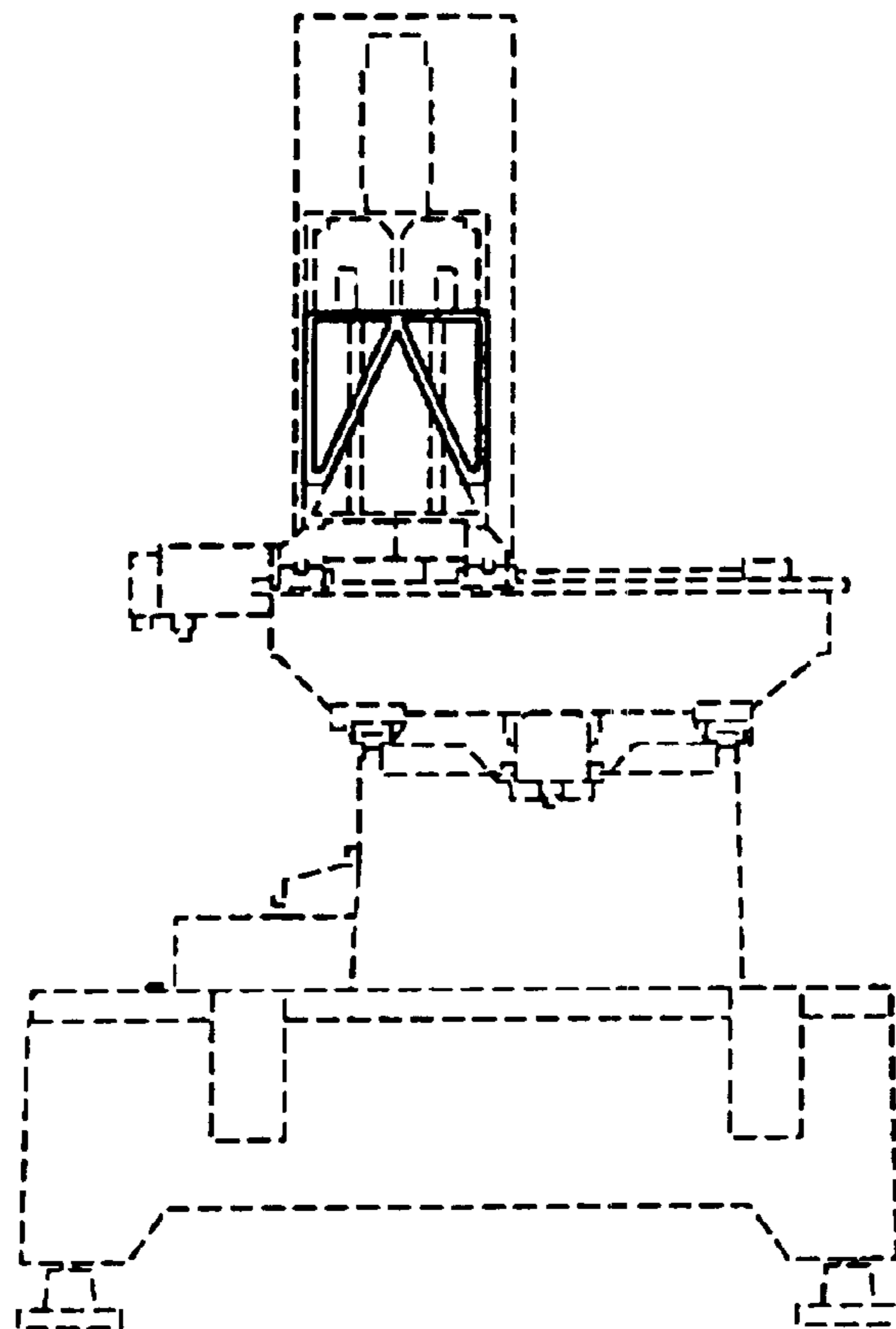
FIG. 3 is a left side view thereof;

FIG. 4 is an expanded perspective view thereof; and,

FIG. 5 is a top view thereof.

The rear and bottom views contain no ornamentality and are omitted. The broken lines are for illustrative purposes only and do not form part of the claimed design.

1 Claim, 4 Drawing Sheets



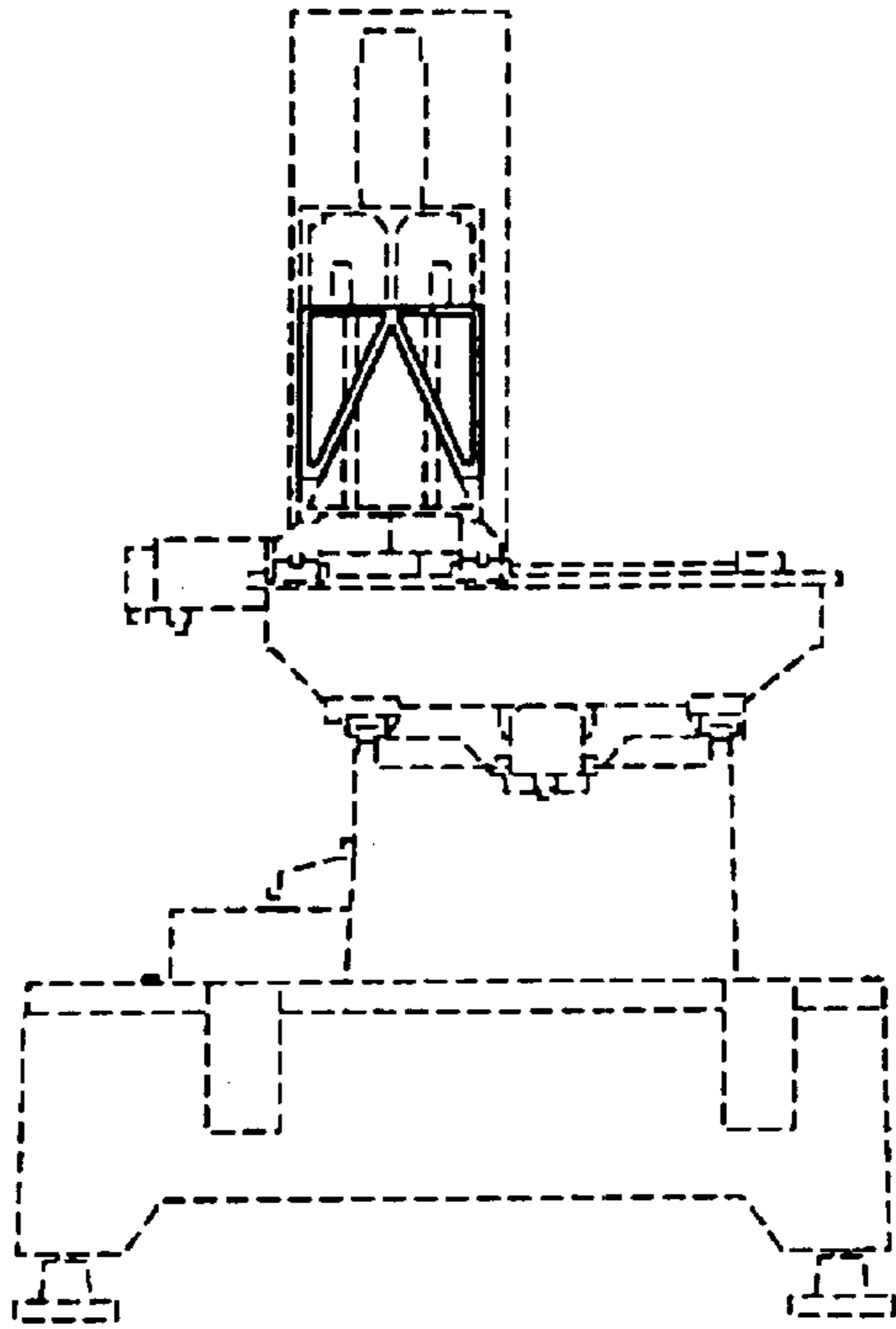


FIG. 1

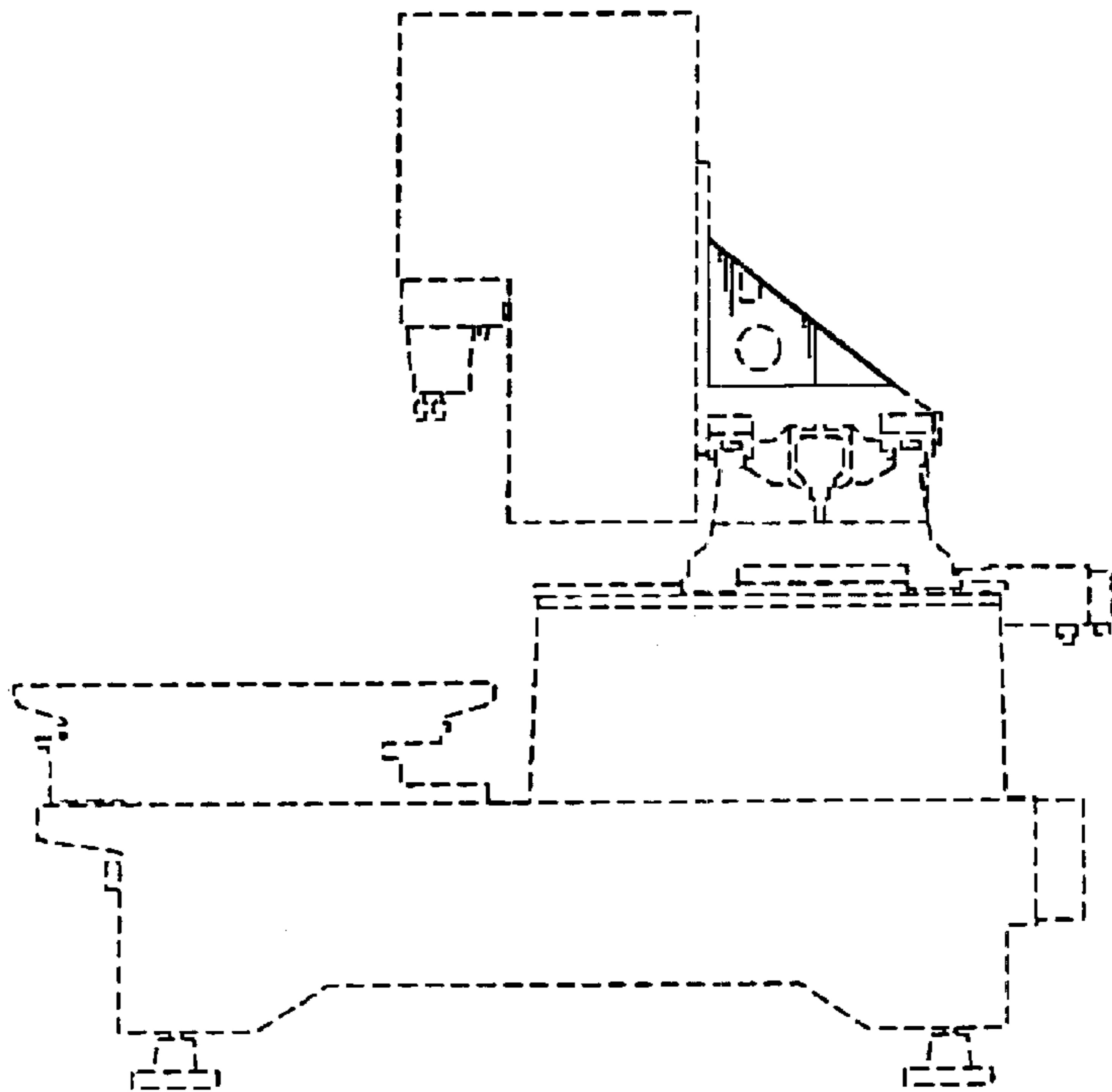


FIG. 2

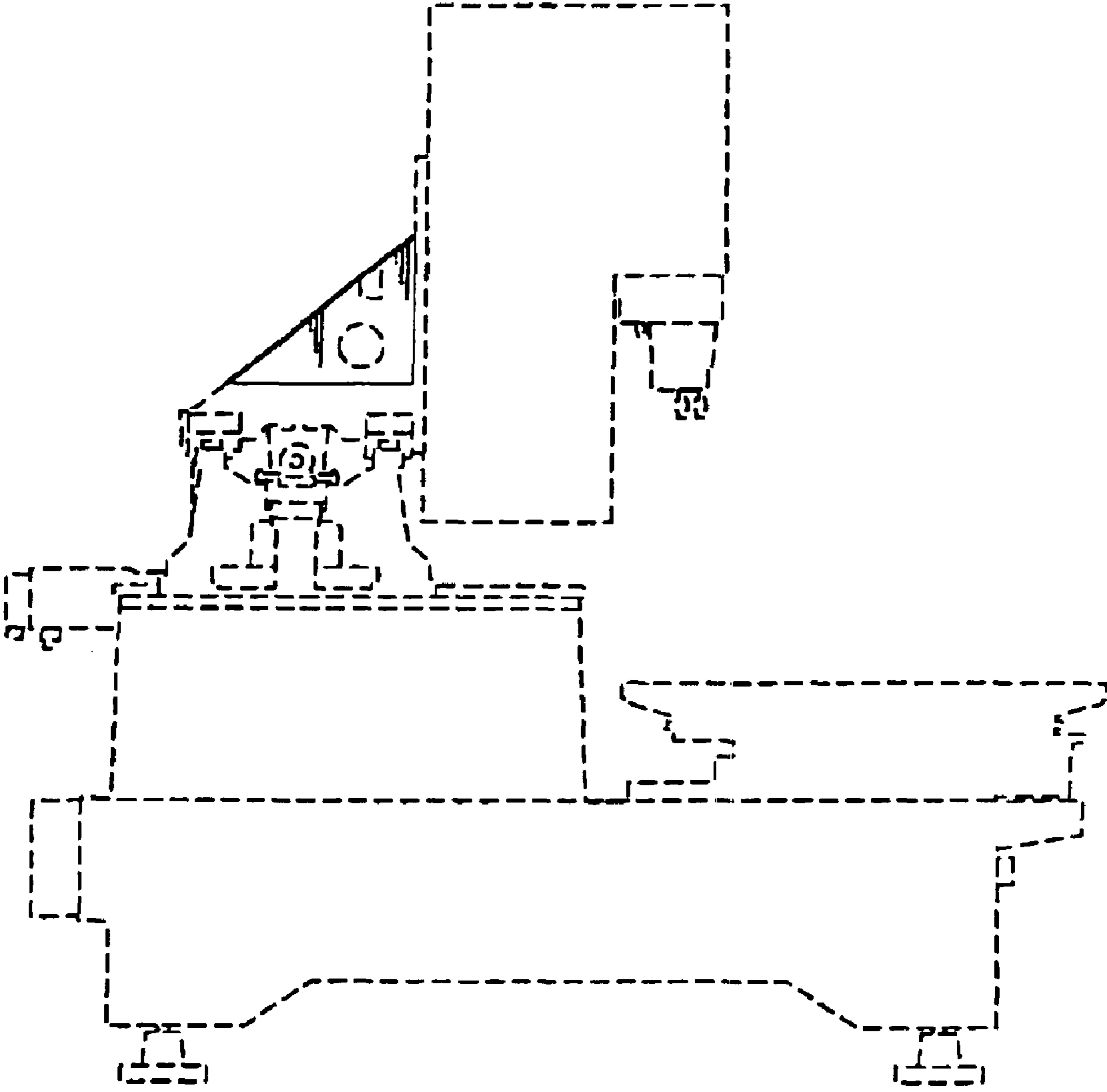


FIG. 3

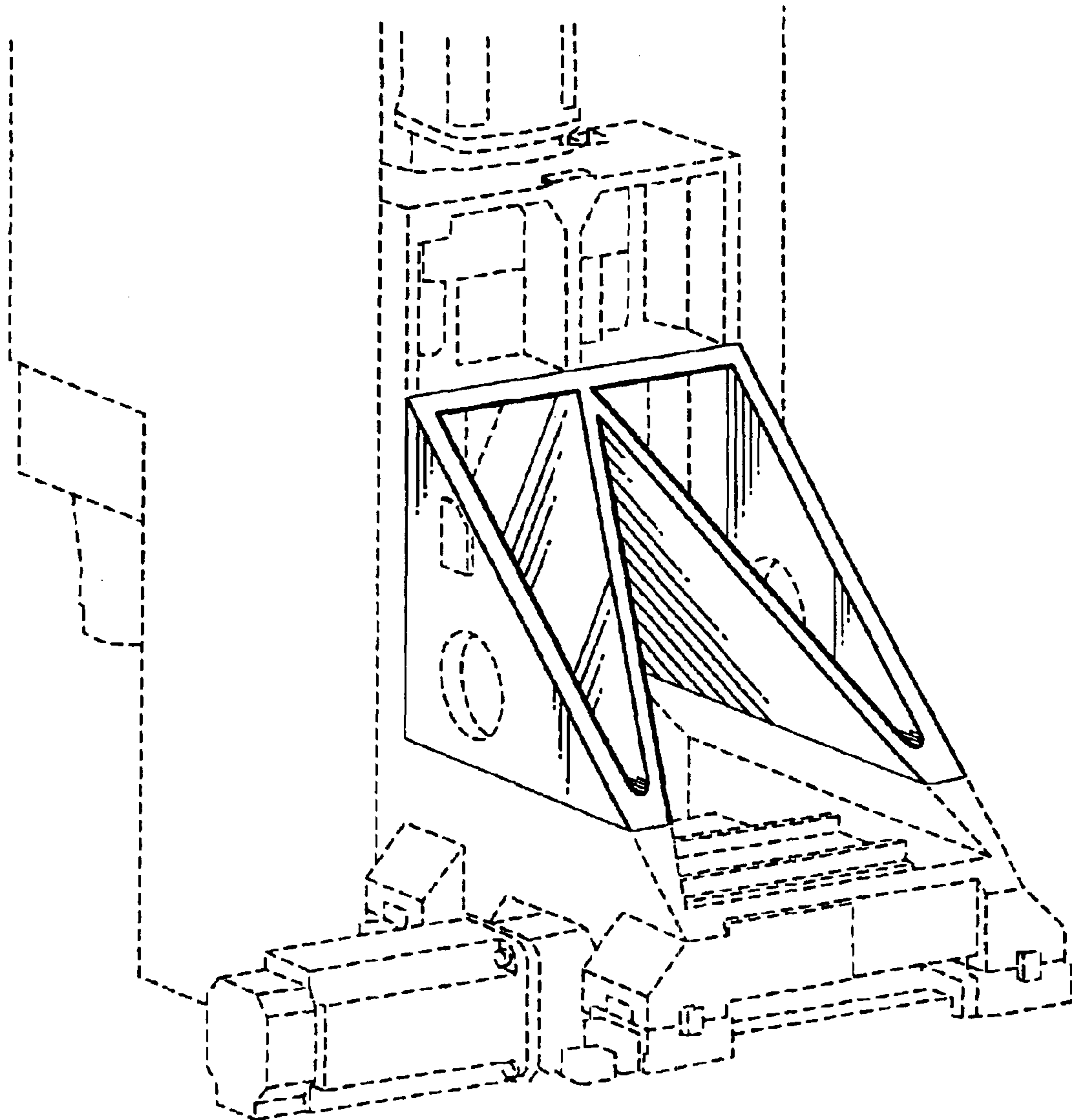


FIG. 4

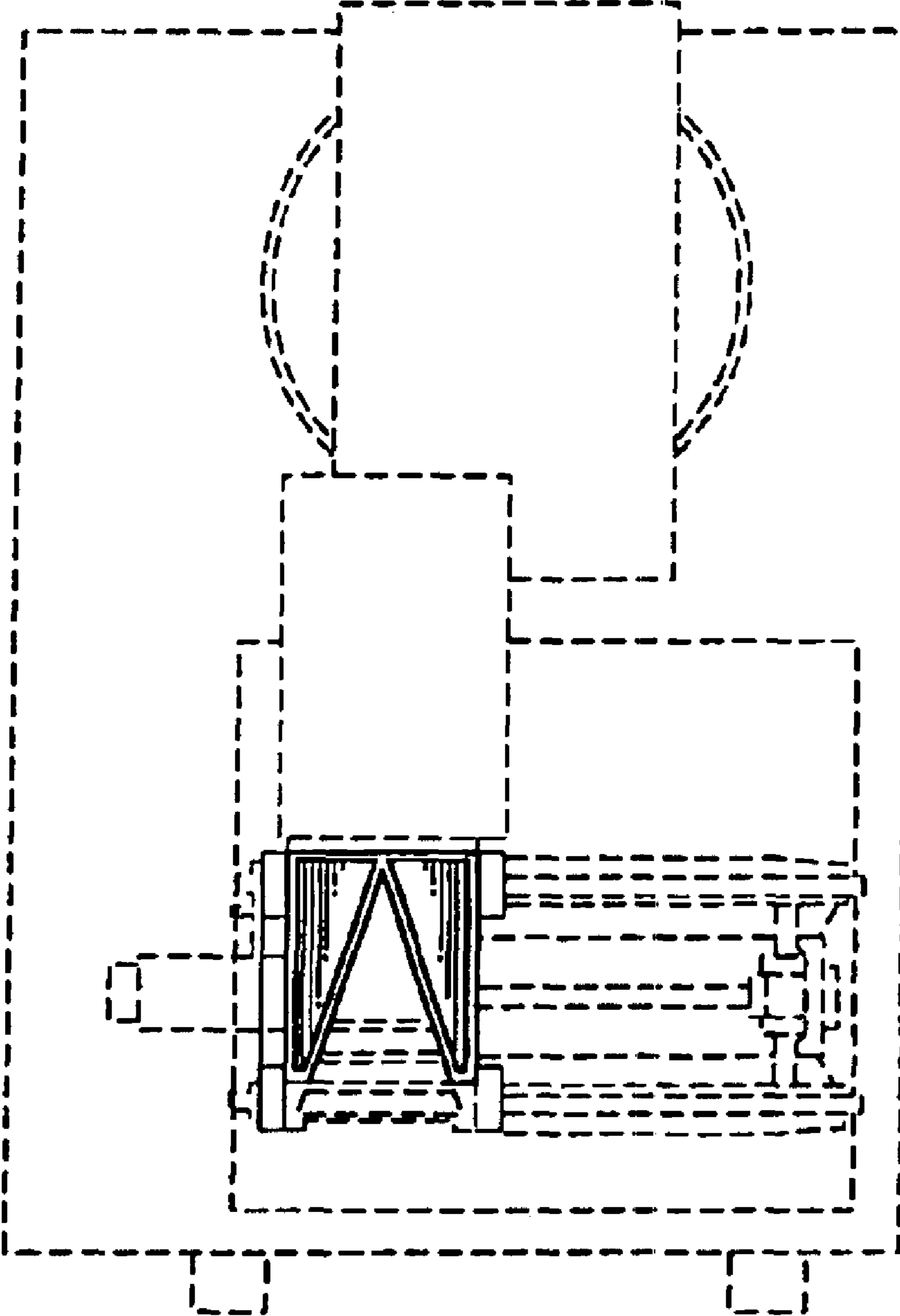


FIG. 5