

US00D497622S1

(12) **United States Design Patent** (10) **Patent No.:** **US D497,622 S**
Theising et al. (45) **Date of Patent:** **** Oct. 26, 2004**

(54) **DRILL PRESS**

5,562,135 A 10/1996 Beth et al.
D478,602 S * 8/2003 Lee D15/134

(75) Inventors: **John L. Theising**, St. Peters, MO (US);
Randall W. Robison, O'Fallon, MO
(US); **Kiyoshi Hoshino**, Chesterfield,
MO (US); **John K. Garner**, O'Fallon,
MO (US); **Douglas H. Miner**,
Glendale, MO (US)

* cited by examiner

Primary Examiner—Antoine D. Davis
(74) *Attorney, Agent, or Firm*—Howrey Simon Arnold &
White LLP

(73) Assignee: **Emerson Electric Co.**, St. Louis, MO
(US)

(57) **CLAIM**

The ornamental design for a drill press, as shown and
described.

(**) Term: **14 Years**

DESCRIPTION

(21) Appl. No.: **29/177,265**

FIG. 1 is a side view of the drill press, showing our new
design;

(22) Filed: **Mar. 6, 2003**

FIG. 2 is a side view showing the side opposite that shown
in FIG. 1;

(51) **LOC (7) Cl.** **15-09**

FIG. 3 is a back view;

(52) **U.S. Cl.** **D15/134**

FIG. 4 is a front view;

(58) **Field of Search** D15/134; 83/814-837,
83/72, 76.7

FIG. 5 is a top view; and,

FIG. 6 is a bottom view.

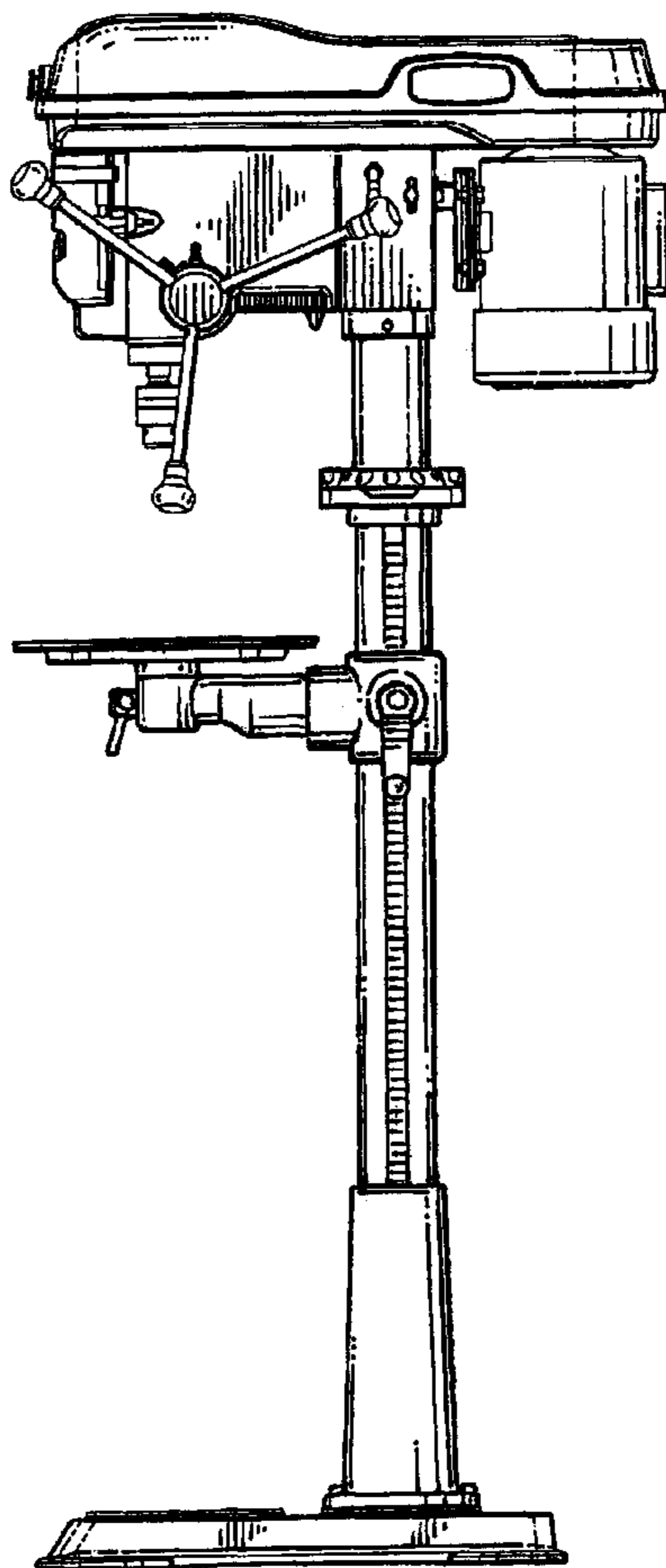
(56) **References Cited**

The hub and handles shown in broken lines illustrate an
alternative configuration, with the hub and handles situated
on the opposite side of the drill press.

U.S. PATENT DOCUMENTS

D285,797 S 9/1986 Arehart
5,517,746 A 5/1996 Cox et al.

1 Claim, 5 Drawing Sheets



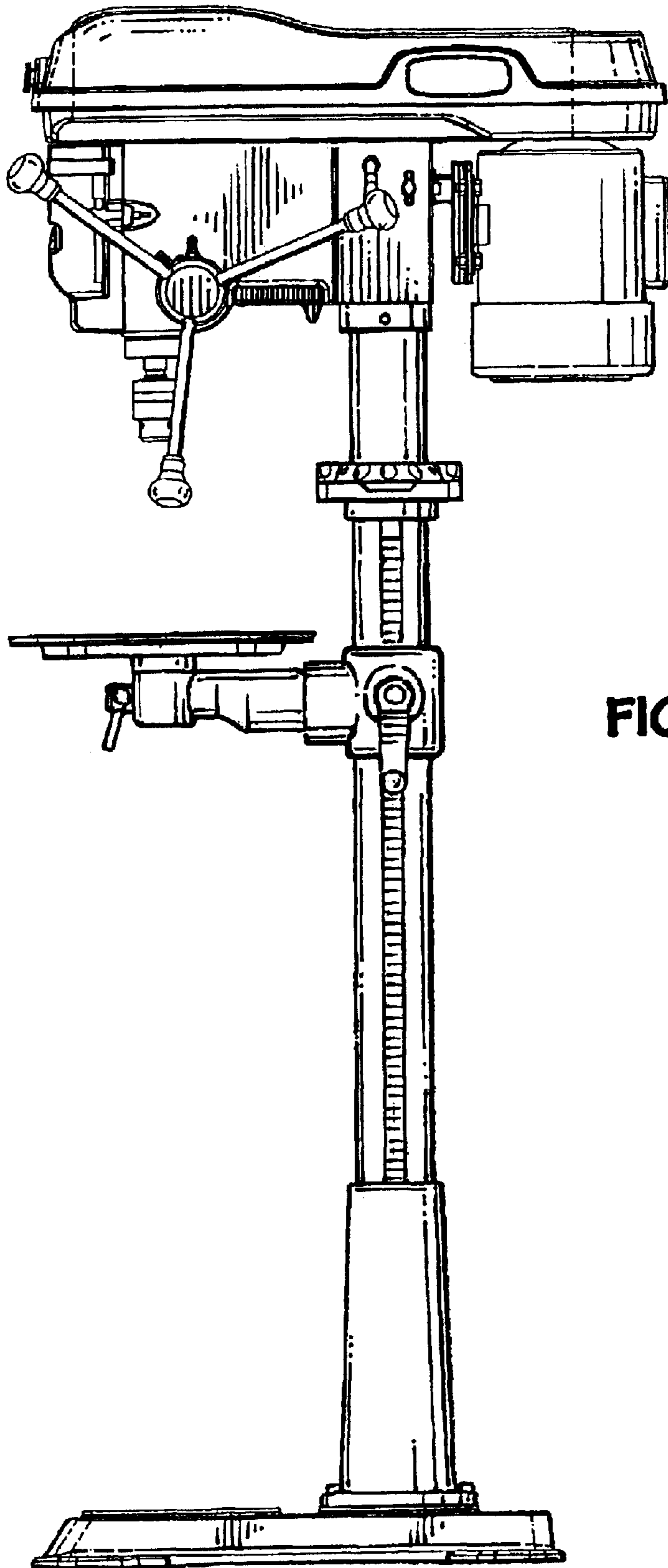
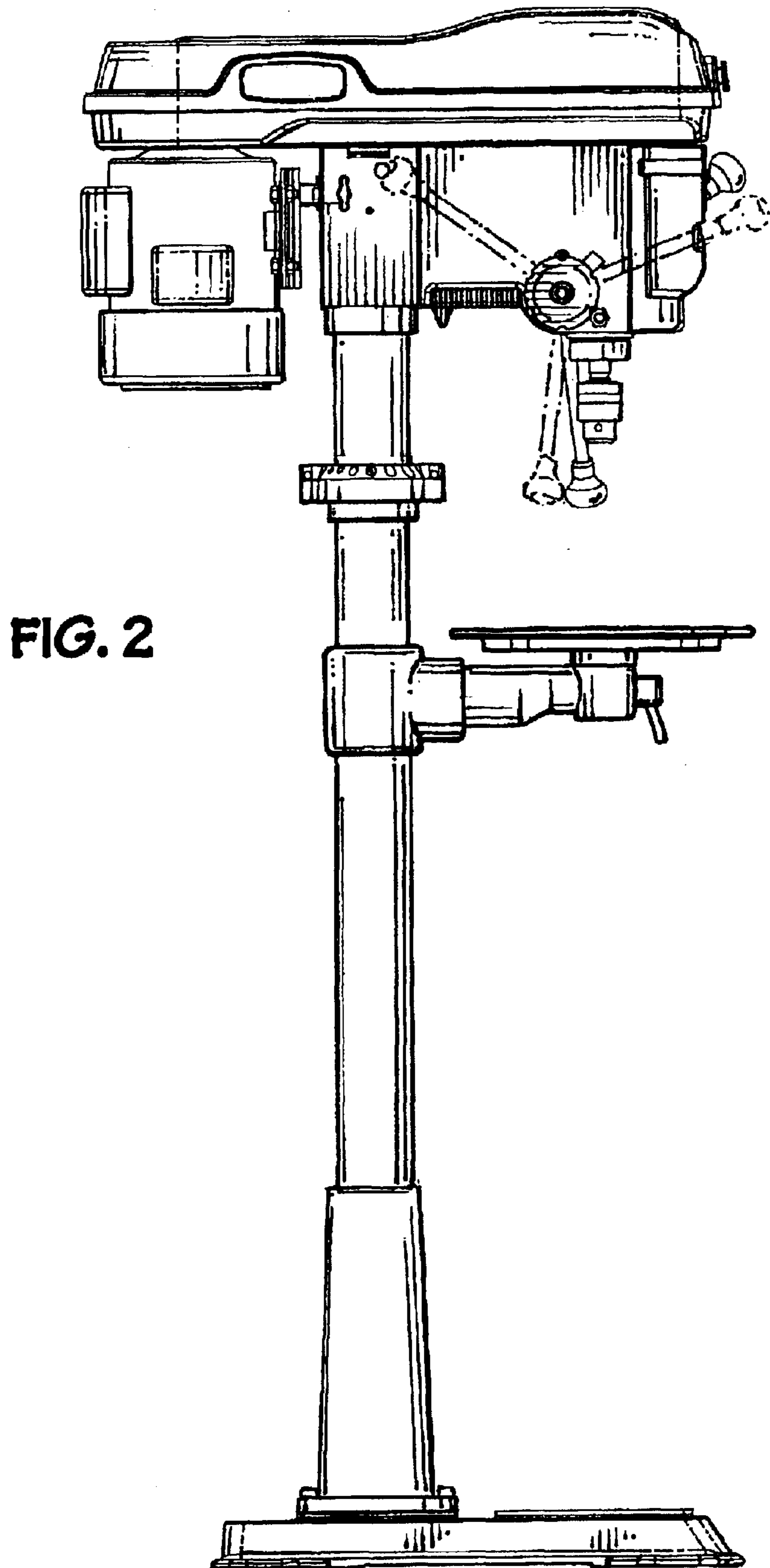


FIG. 1



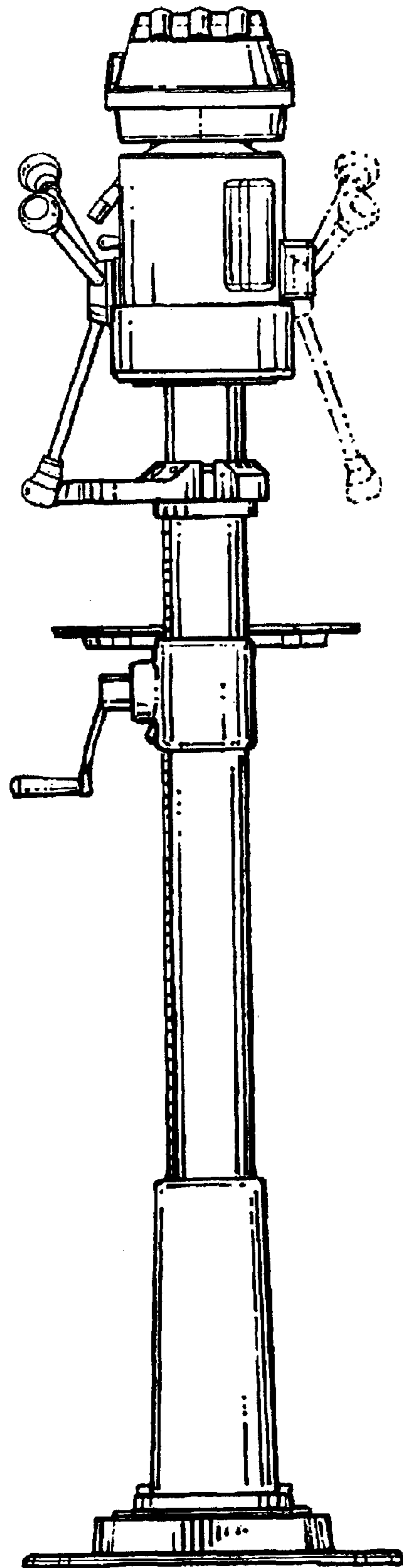


FIG. 3

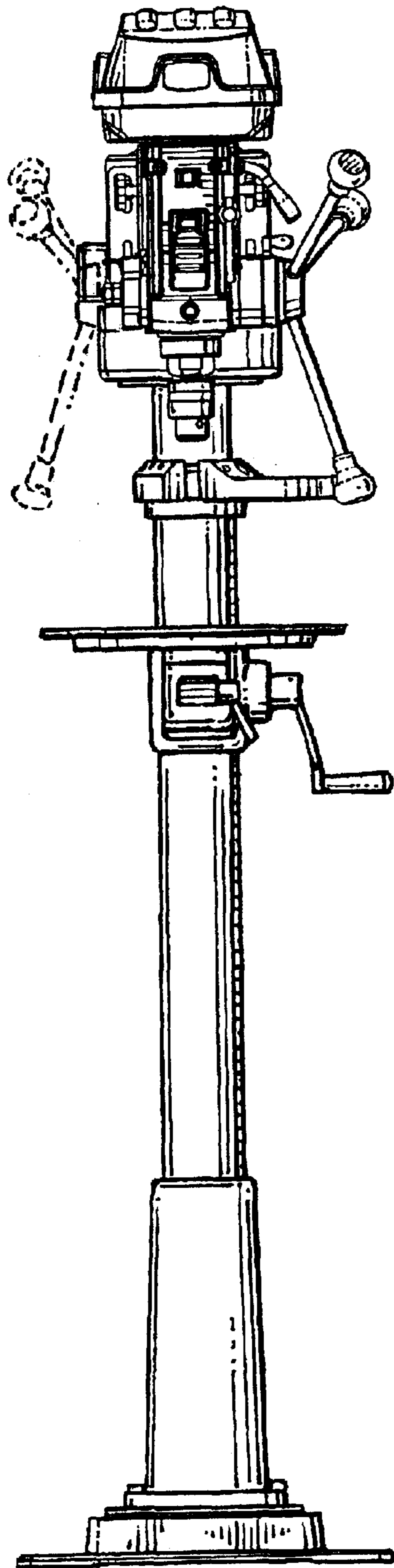


FIG. 4

FIG. 5

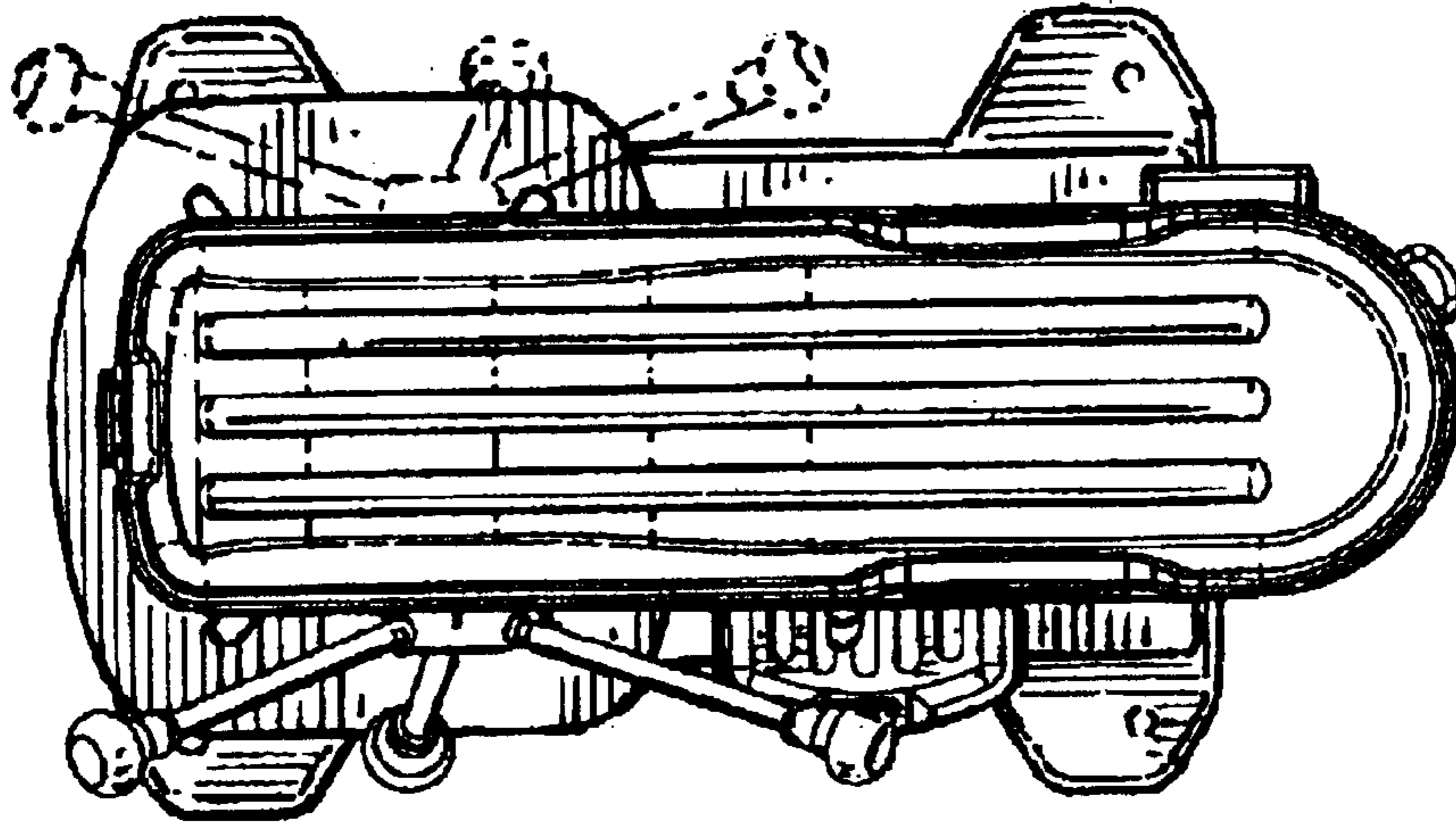


FIG. 6

