

US00D497621S1

(12) **United States Design Patent** (10) **Patent No.:** **US D497,621 S**  
**Inaoka et al.** (45) **Date of Patent:** **\*\* Oct. 26, 2004**

(54) **TRACTOR**

(75) Inventors: **Motonari Inaoka**, Sakai (JP);  
**Yoshikazu Aota**, Sakai (JP); **Takashi Kobayashi**, Sakai (JP); **Takeshi Imamura**, Sakai (JP)

(73) Assignee: **Kubota Corporation**, Osaka (JP)

(\*\*) Term: **14 Years**

(21) Appl. No.: **29/186,348**

(22) Filed: **Jul. 14, 2003**

(30) **Foreign Application Priority Data**

Jan. 14, 2003 (JP) ..... 2003-000596

(51) **LOC (7) Cl.** ..... **15-03**

(52) **U.S. Cl.** ..... **D15/28**

(58) **Field of Search** ..... D15/22-26, 28;  
305/136, 629, 15; 180/9.54, 9.21, 9.26,  
9.28

(56) **References Cited**

**U.S. PATENT DOCUMENTS**

D230,300 S \* 2/1974 Oestmann ..... D15/28  
3,939,930 A \* 2/1976 Firstenberg ..... 180/9.21  
D263,051 S \* 2/1982 Allen et al. .... D15/24

D274,333 S \* 6/1984 Meisel et al. .... D15/24  
6,199,646 B1 \* 3/2001 Tani et al. .... 180/9.21  
D488,171 S \* 4/2004 Juncker et al. .... D15/28

\* cited by examiner

*Primary Examiner*—Mitchell Siegel

(74) *Attorney, Agent, or Firm*—Webb Ziesenheim Logsdon Orkin & Hanson, P.C.

(57) **CLAIM**

The ornamental design for a tractor, as shown and described.

**DESCRIPTION**

FIG. 1 is a front view of a tractor in accordance with the present invention, with the broken line showing the environment for illustrative purposes only and forming no part of the claimed design;

FIG. 2 is a rear view of the tractor shown in FIG. 1;

FIG. 3 is a left side view of the tractor shown in FIG. 1;

FIG. 4 is a right side view of the tractor shown in FIG. 1;

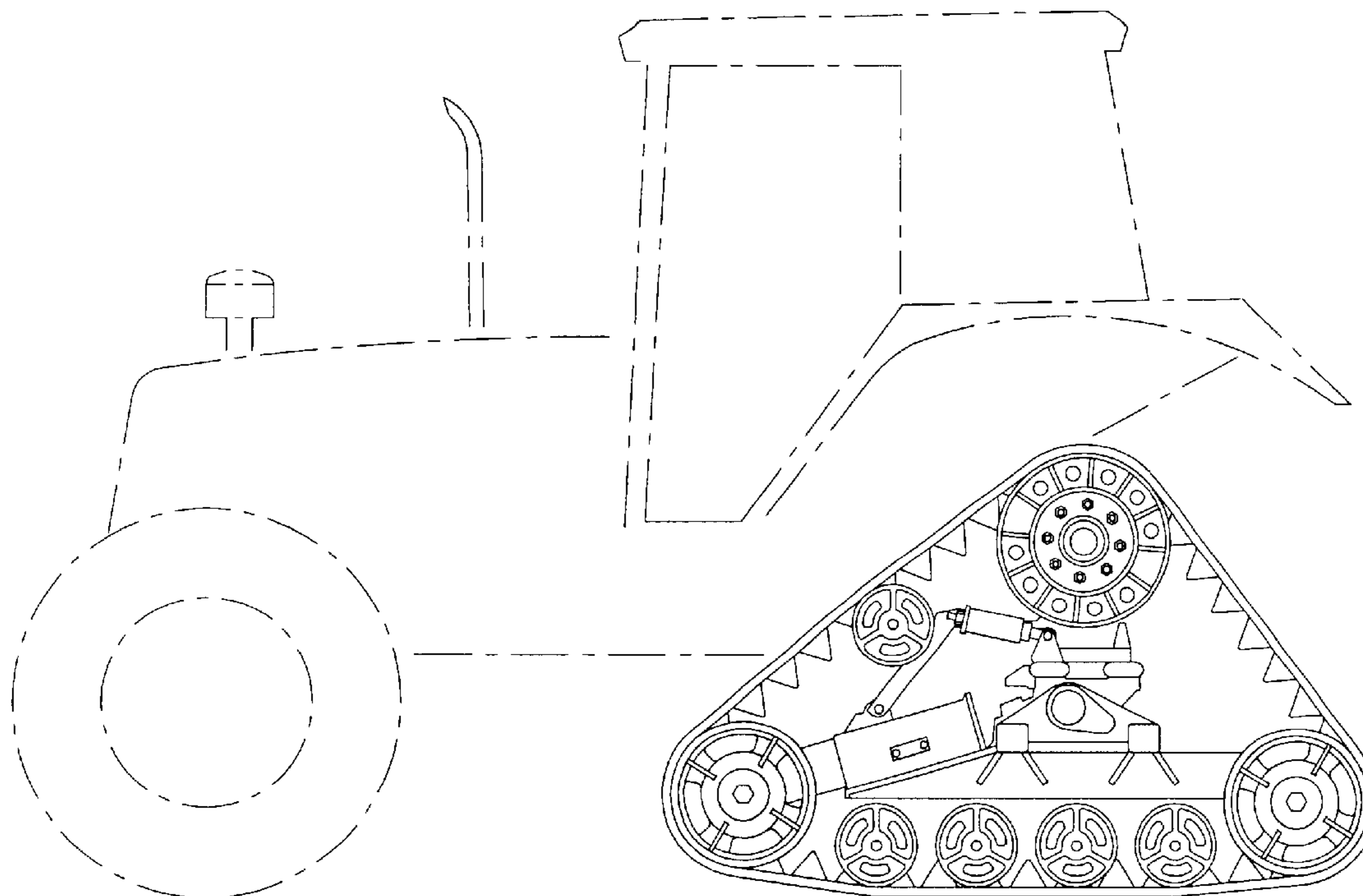
FIG. 5 is a top plan view of the tractor shown in FIG. 1;

FIG. 6 is a perspective view of the tractor shown in FIG. 1;

FIG. 7 is an enlarged perspective view of the lower portion of the rear half of the tractor shown in FIG. 1; and,

FIG. 8 is an enlarged front view of the part of the tractor shown in FIG. 1, which is the subject of the present application and in accordance with the present invention.

**1 Claim, 4 Drawing Sheets**



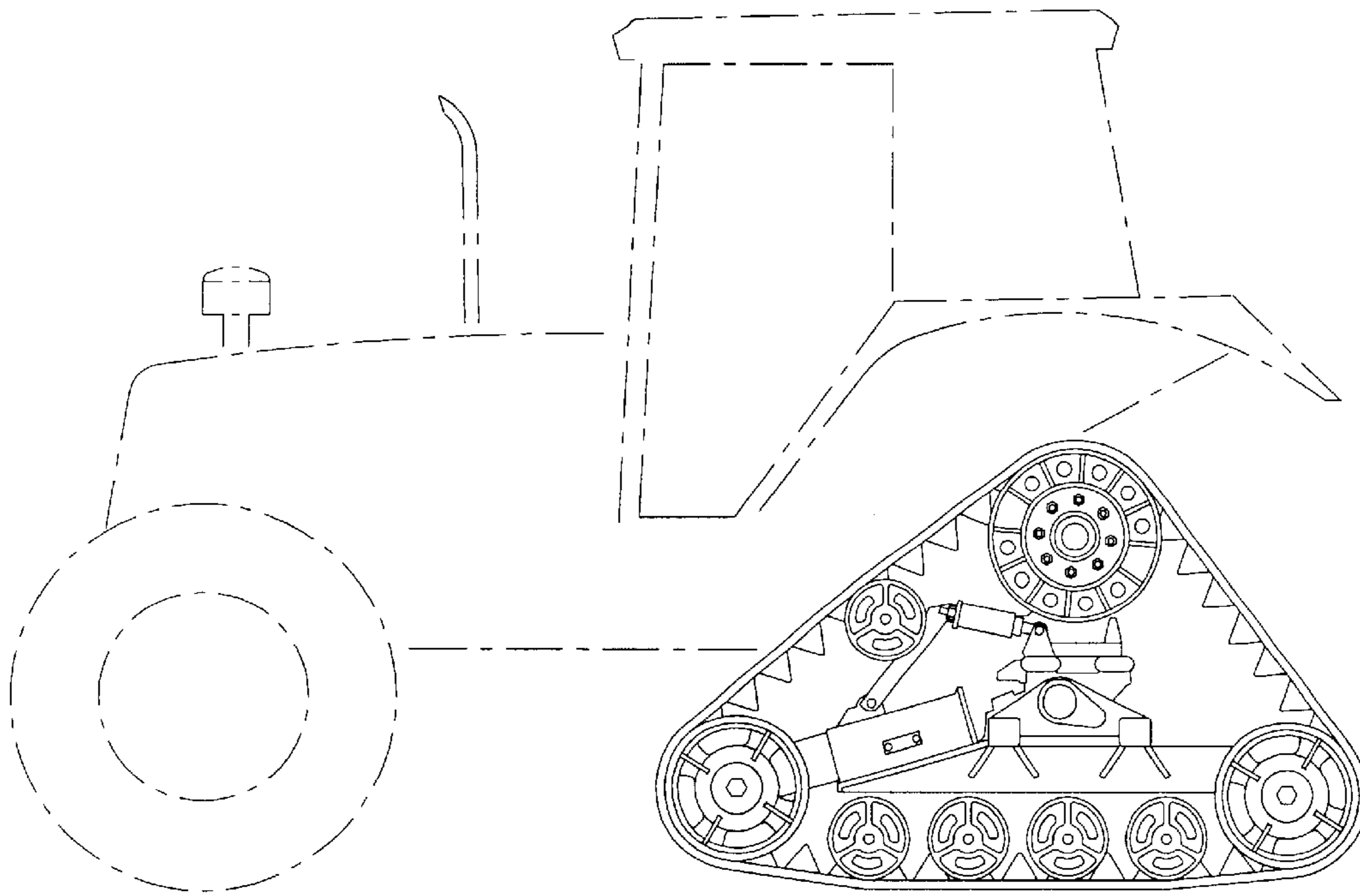


FIG. 1

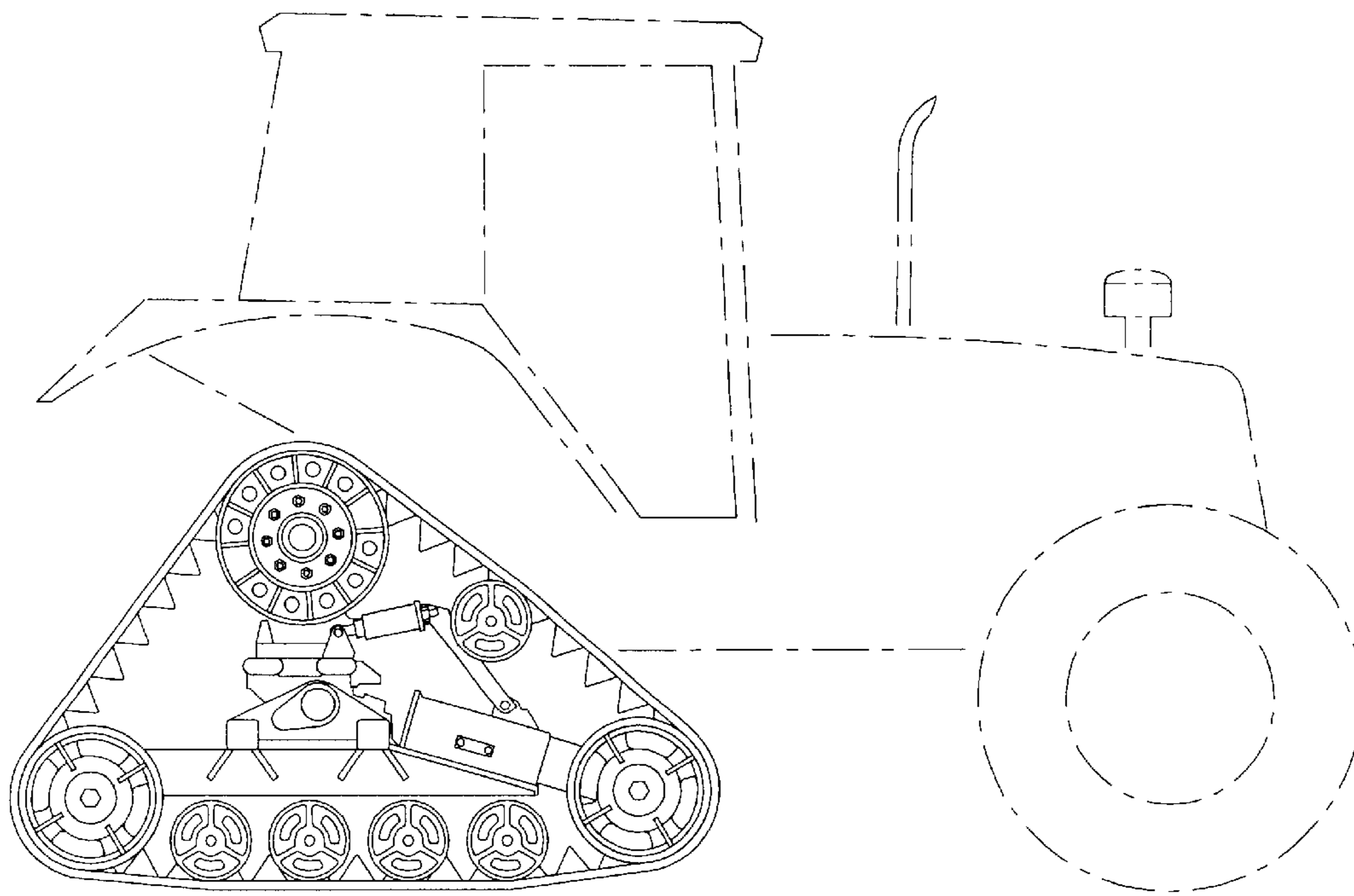


FIG. 2

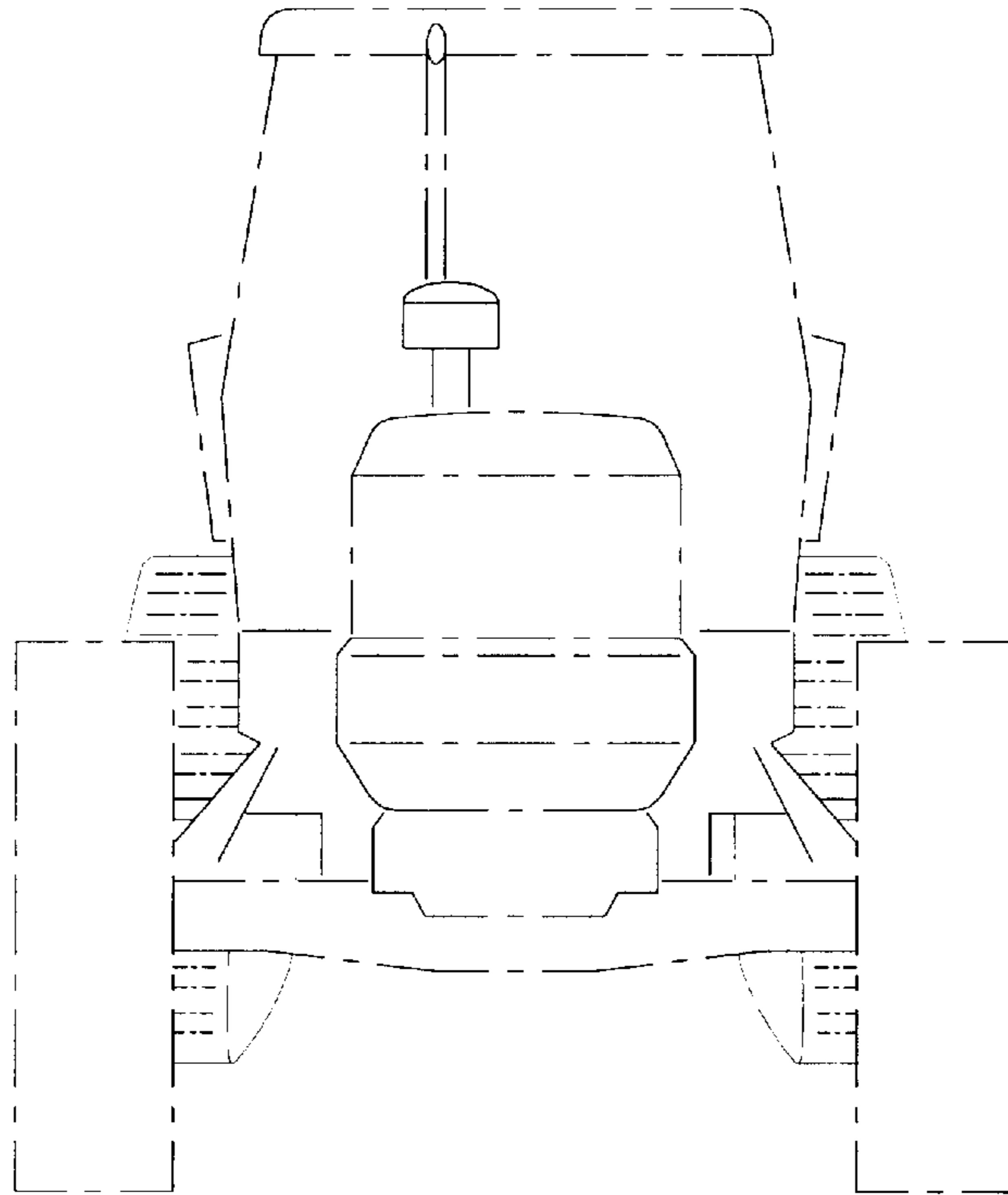


FIG. 3

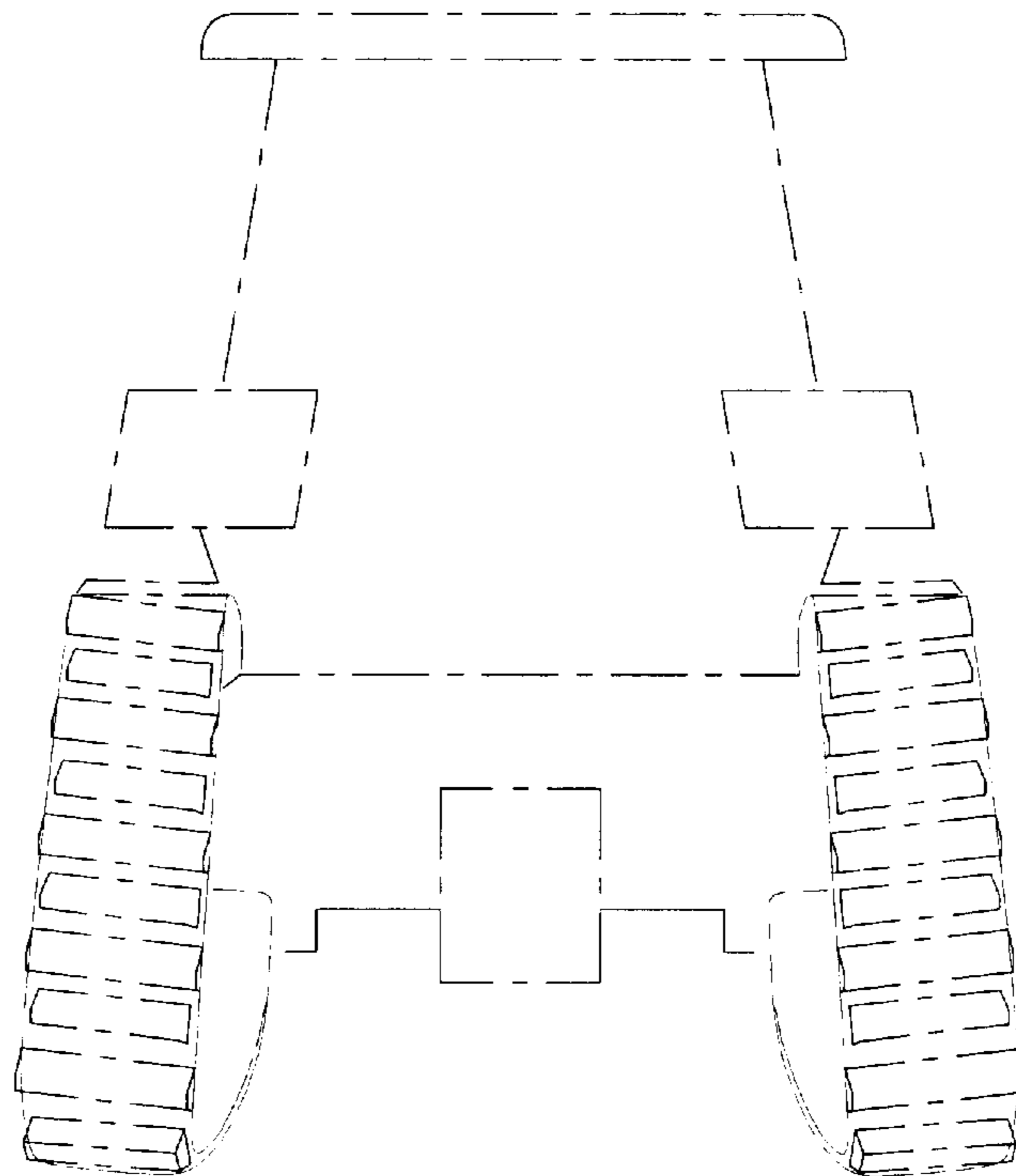


FIG. 4

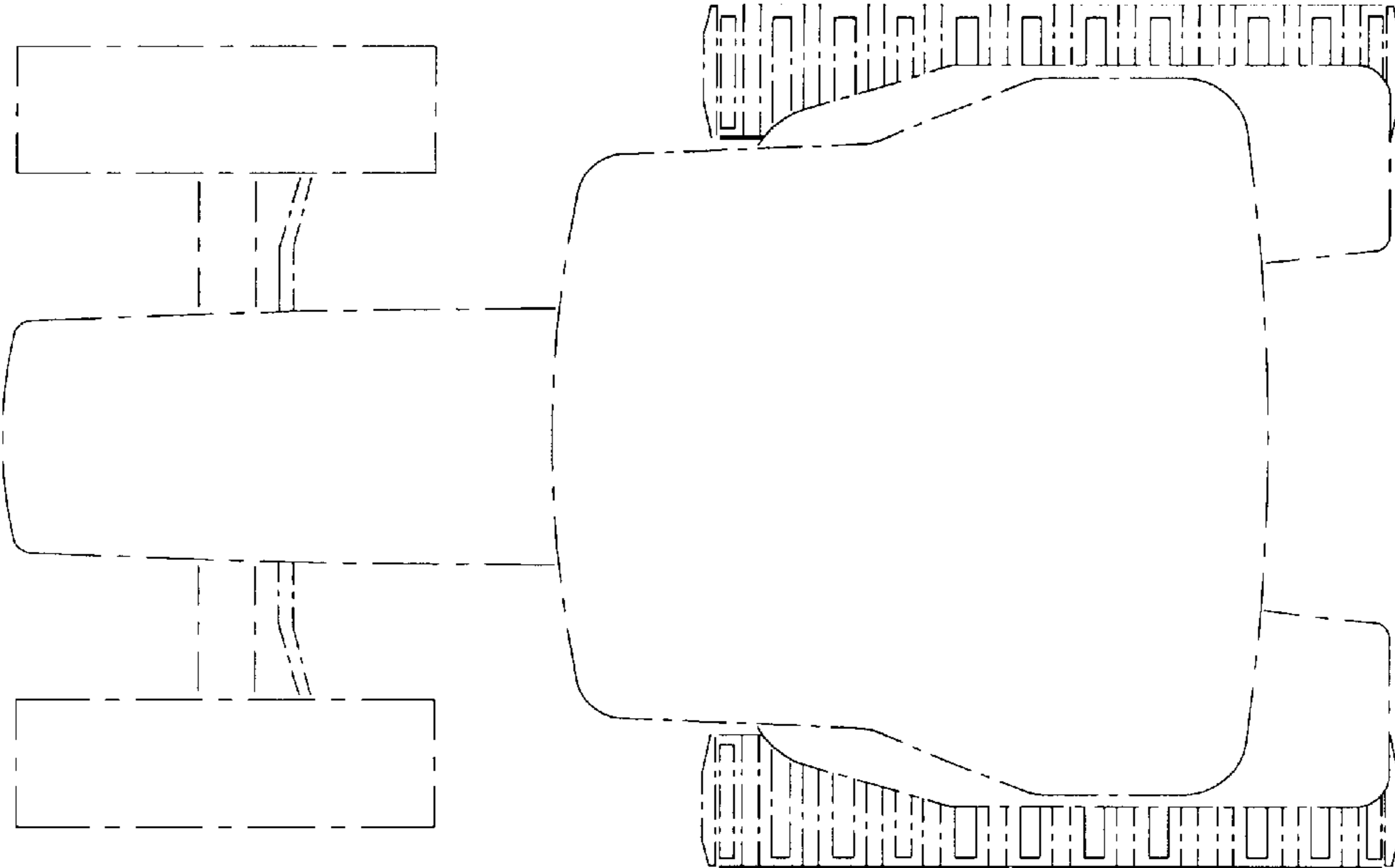


FIG. 5

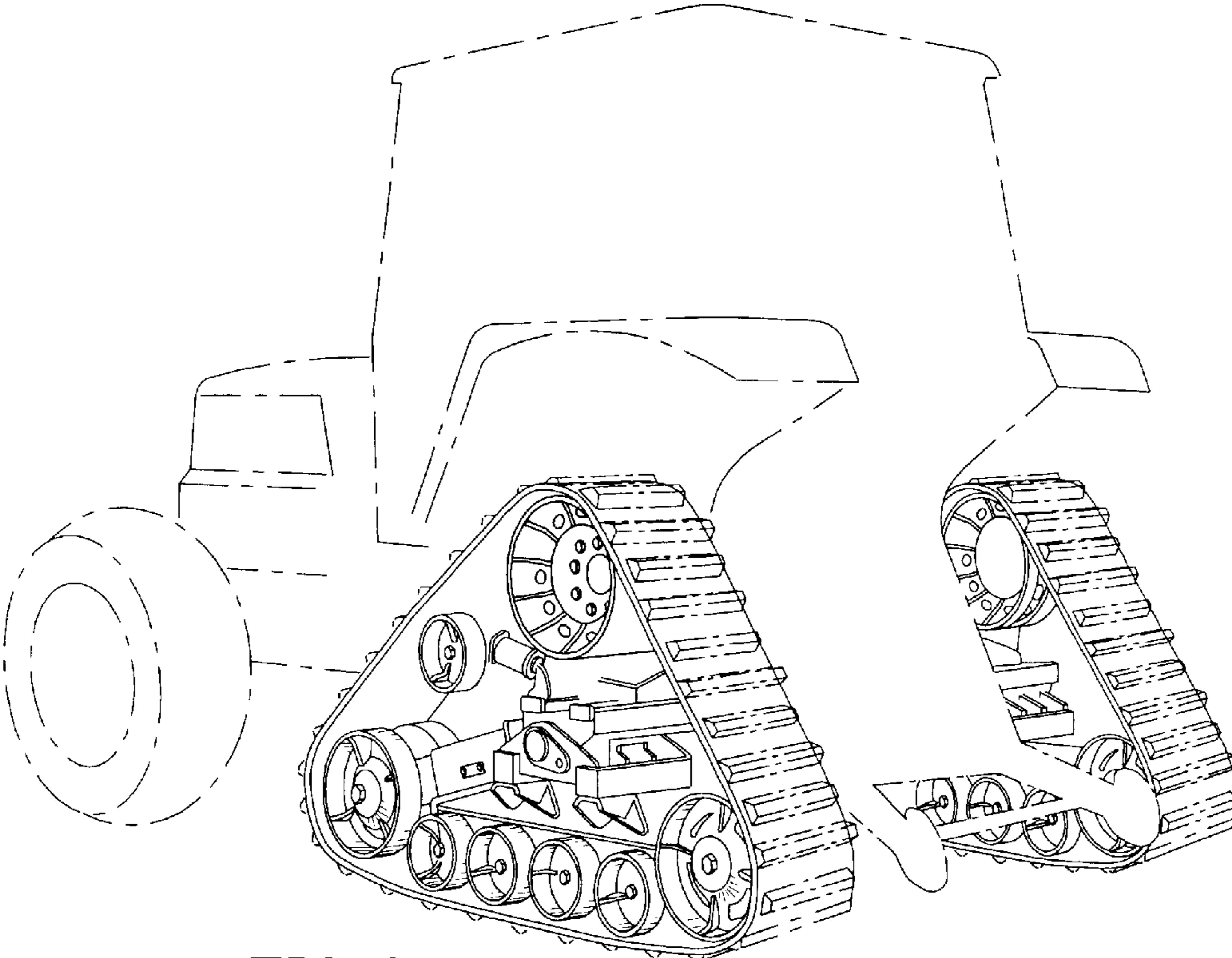


FIG. 6

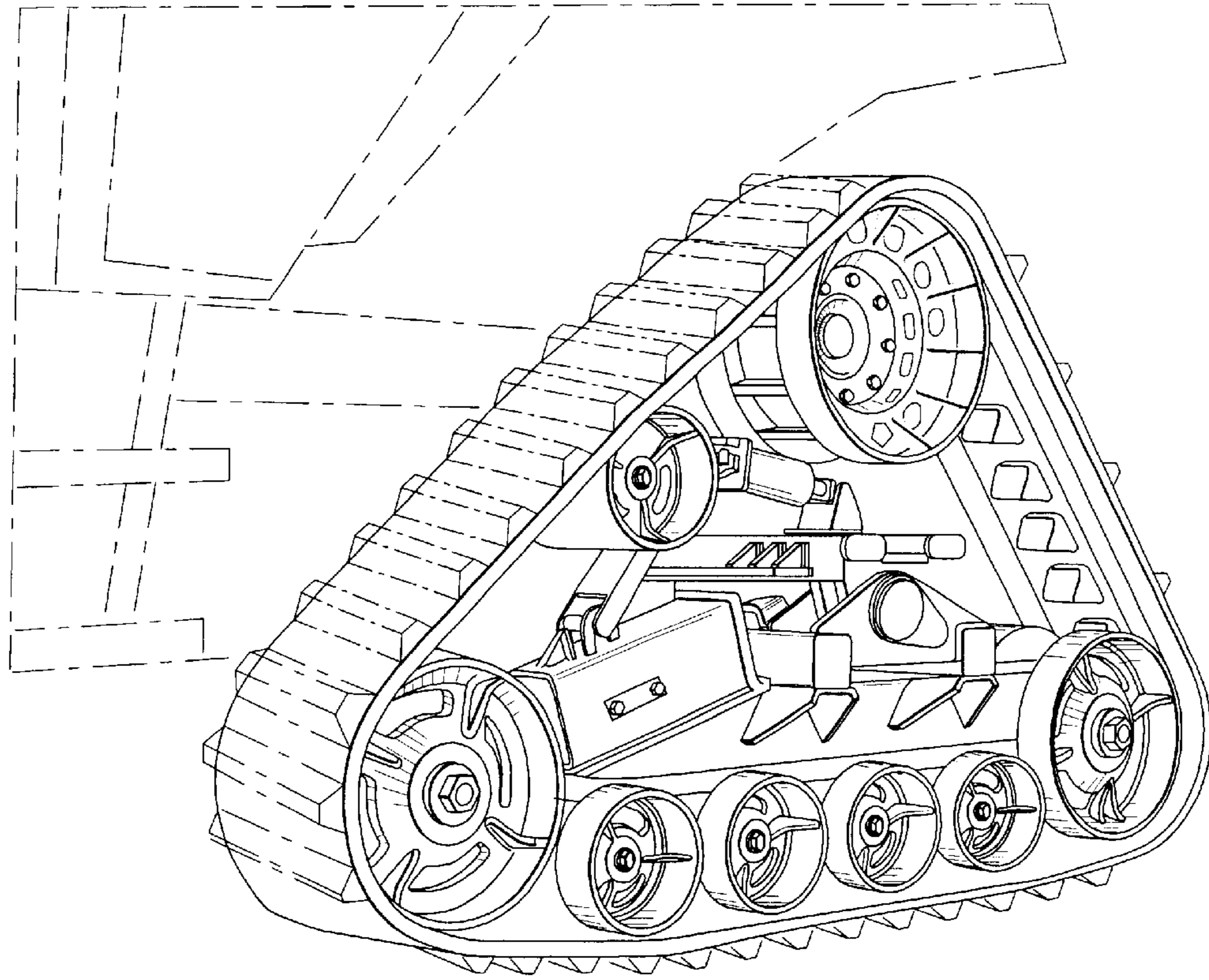


FIG. 7

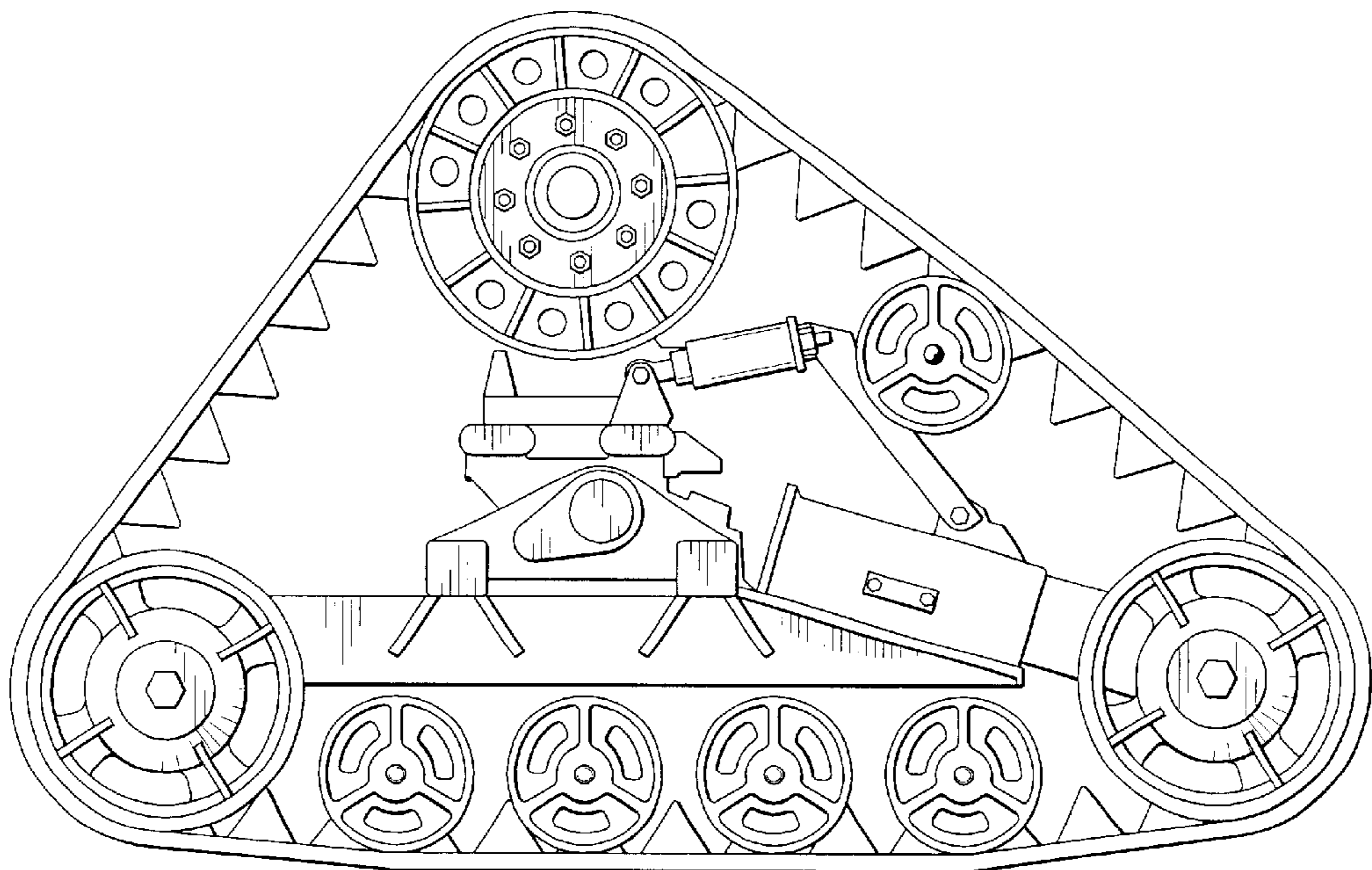


FIG. 8