

US00D497620S1

(12) **United States Design Patent**
Morton

(10) **Patent No.:** **US D497,620 S**

(45) **Date of Patent:** **** Oct. 26, 2004**

(54) **LINEAR ACTUATOR BODY**

D470,863 S * 2/2003 Williams D15/7

(75) **Inventor:** **Frank Morton**, Harwinton, CT (US)

* cited by examiner

(73) **Assignee:** **Tritex Corporation**, Waterbury, CT (US)

Primary Examiner—Ralf Seifert

(74) *Attorney, Agent, or Firm*—John H. Crozier

(**) **Term:** **14 Years**

(57) **CLAIM**

The ornamental design for a linear actuator body, as shown and described.

(21) **Appl. No.:** **29/190,536**

(22) **Filed:** **Sep. 22, 2003**

DESCRIPTION

(51) **LOC (7) Cl.** **15-02**

(52) **U.S. Cl.** **D15/7**

(58) **Field of Search** D15/7-9; 417/321,
417/410, 413.1, 415, 423.3, 486, 521, 534;
415/148

FIG. 1 is a left side/rear/top isometric view of a linear actuator body of my new design;
FIG. 2 is a right side elevational view thereof;
FIG. 3 is a left side elevational view thereof;
FIG. 4 is a top plan view thereof;
FIG. 5 is a bottom plan view thereof;
FIG. 6 is a rear elevational view thereof; and,
FIG. 7 is a front elevational view thereof.

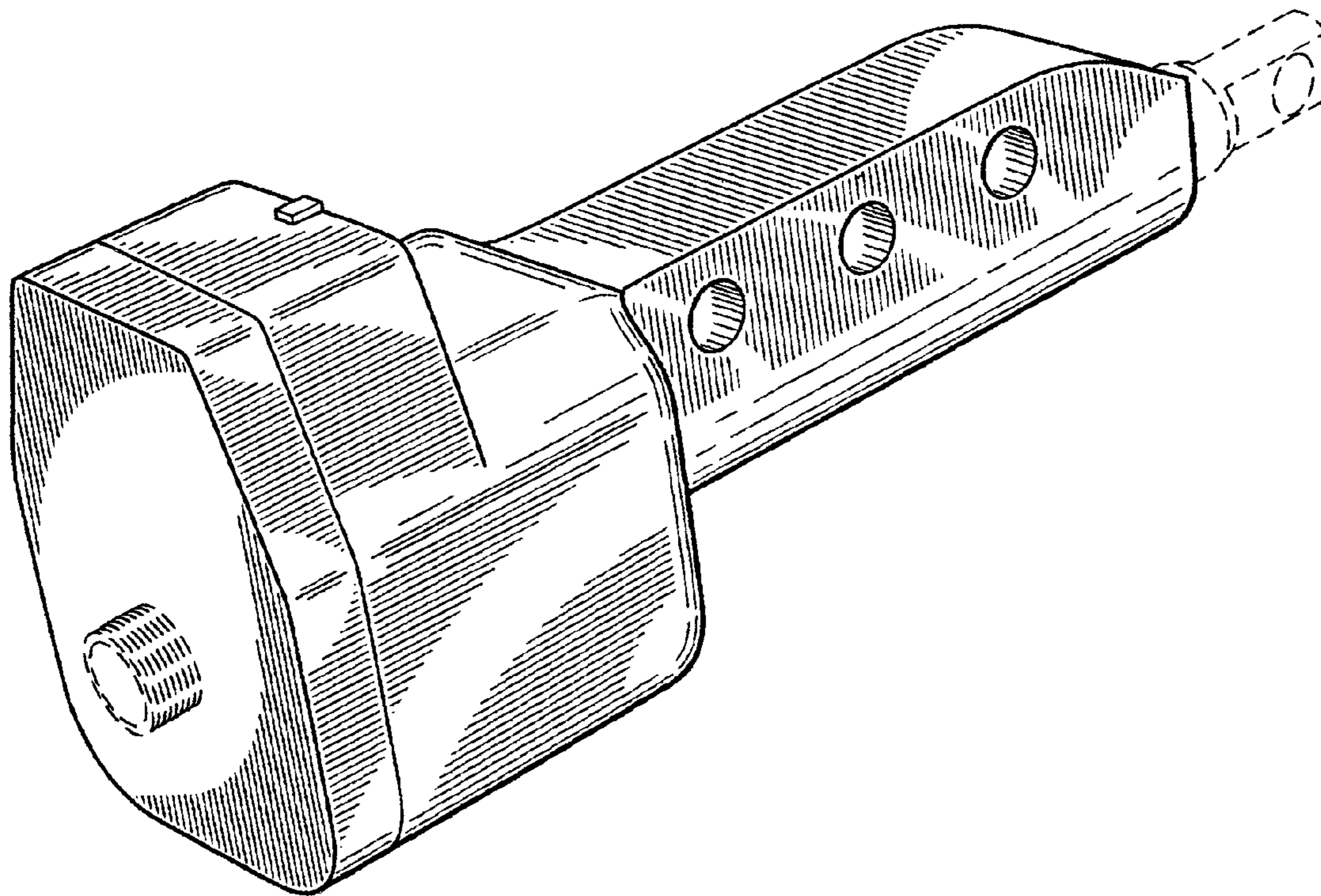
(56) **References Cited**

U.S. PATENT DOCUMENTS

- D248,396 S * 7/1978 Sendak D15/7
- D306,596 S * 3/1990 Maddock D15/7
- D383,762 S * 9/1997 Lung-Po D15/7
- D399,213 S * 10/1998 Sorensen et al. D15/7
- D405,907 S * 2/1999 Herst et al. D26/76

It being understood that the material shown in broken lines is for illustrative purposes only and forms no part of the claimed design.

1 Claim, 4 Drawing Sheets



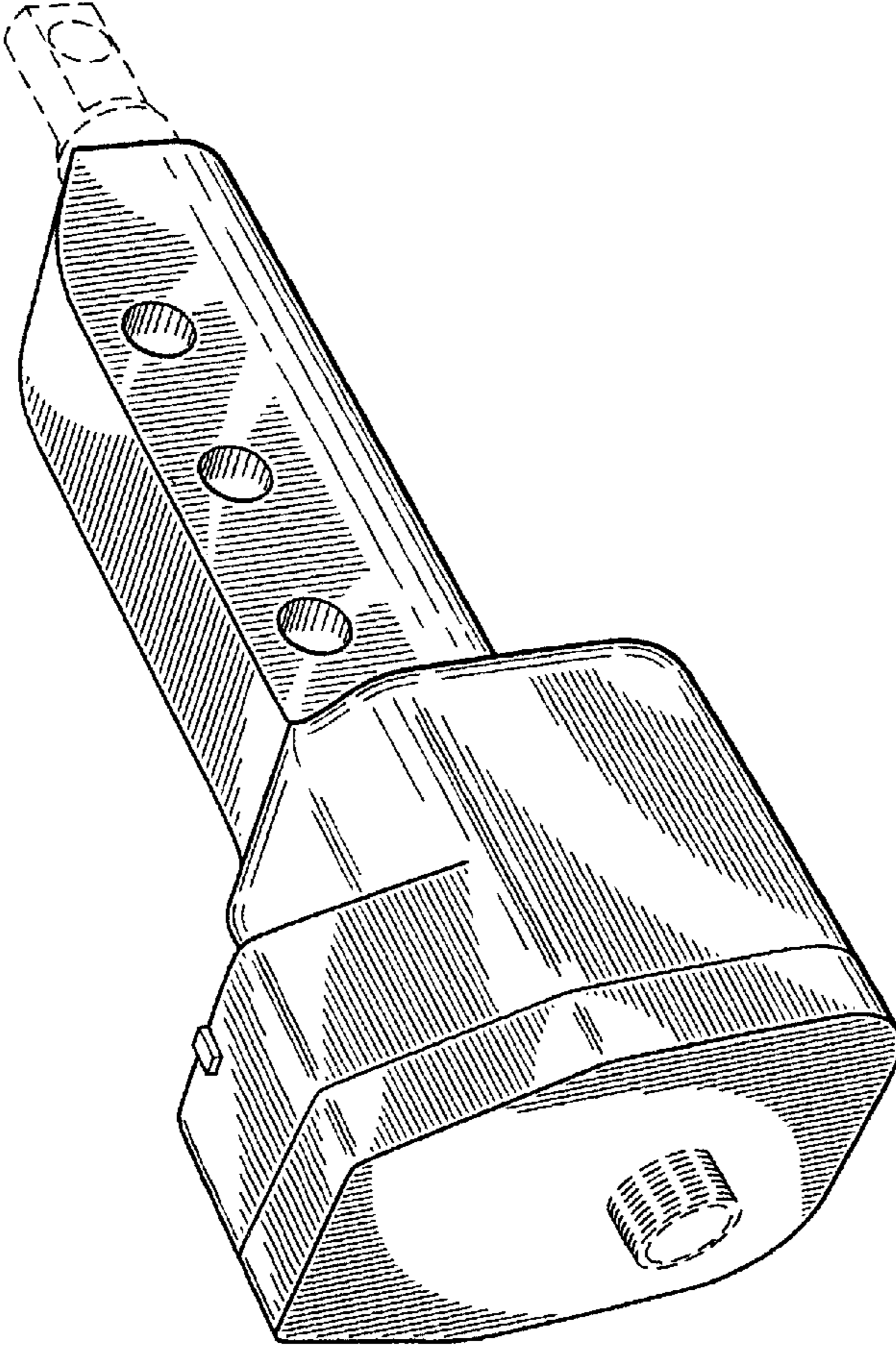


FIG. 1

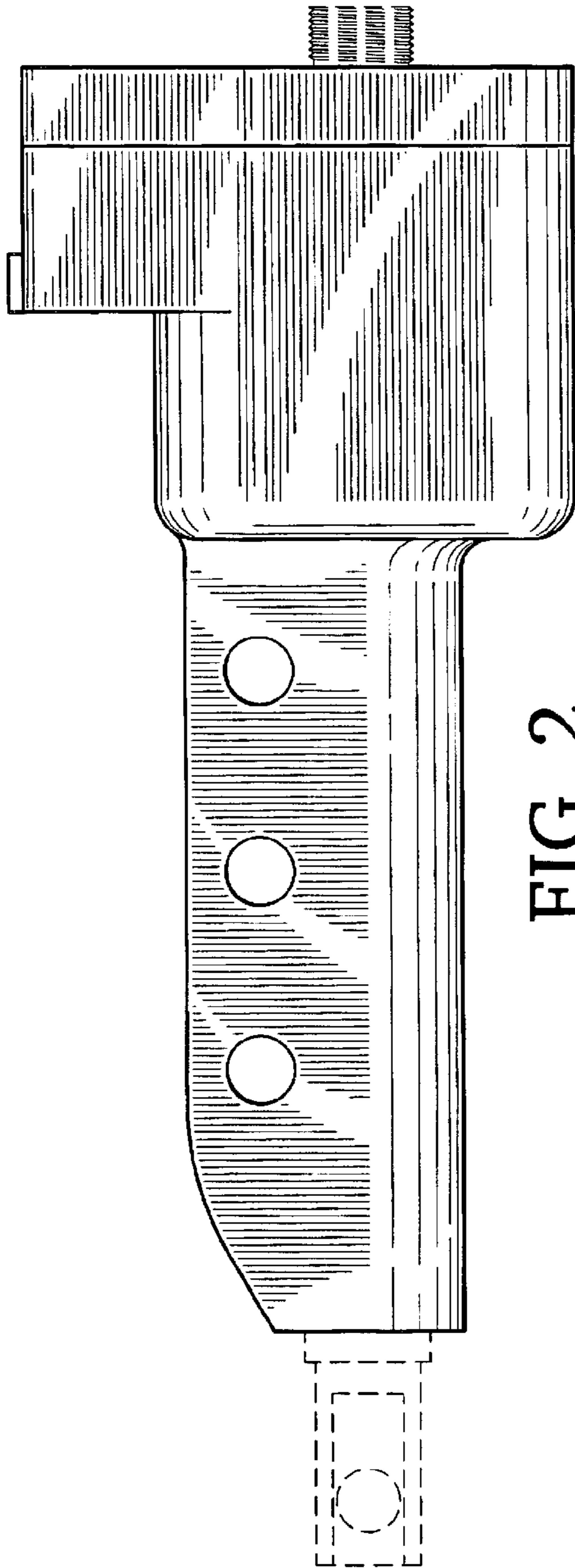


FIG. 2

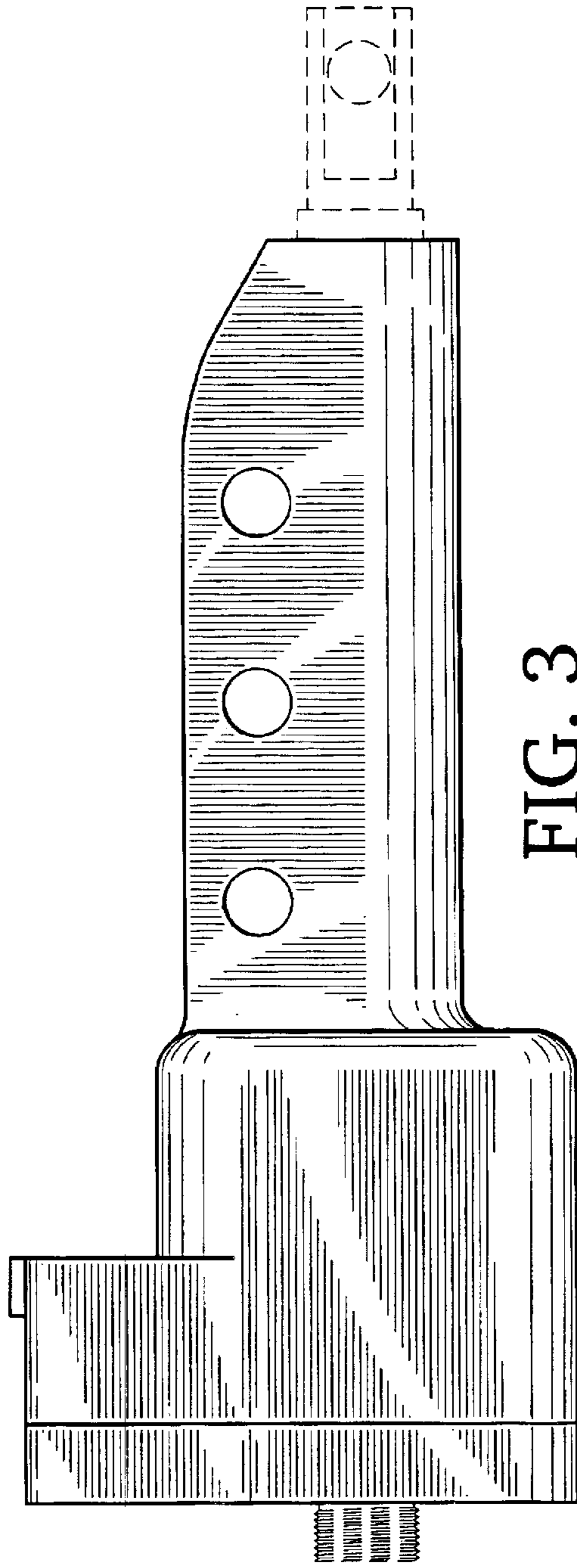


FIG. 3

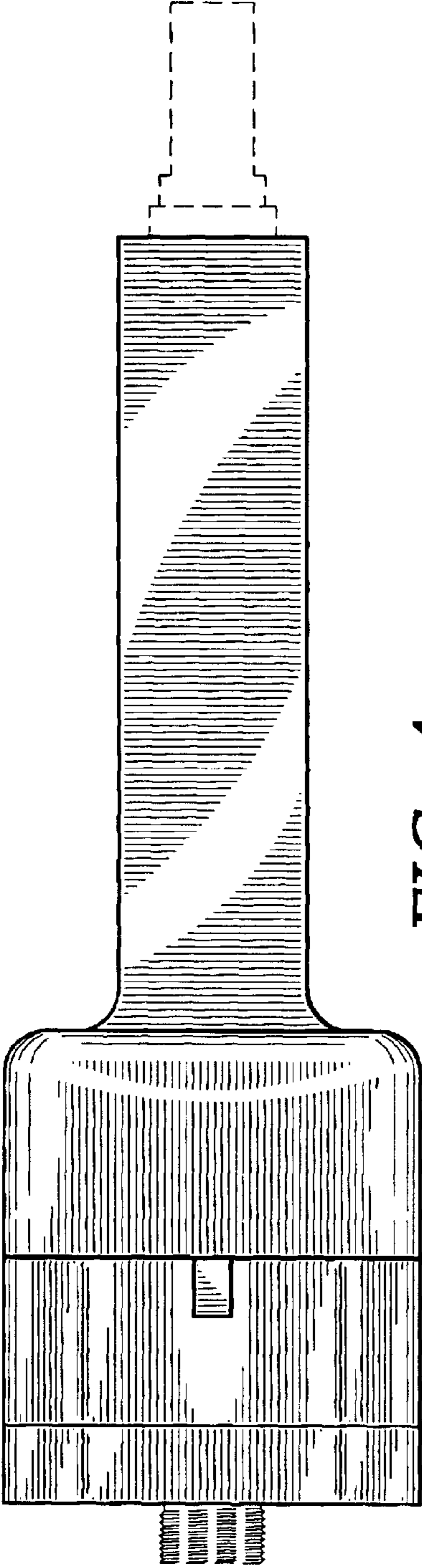


FIG. 4

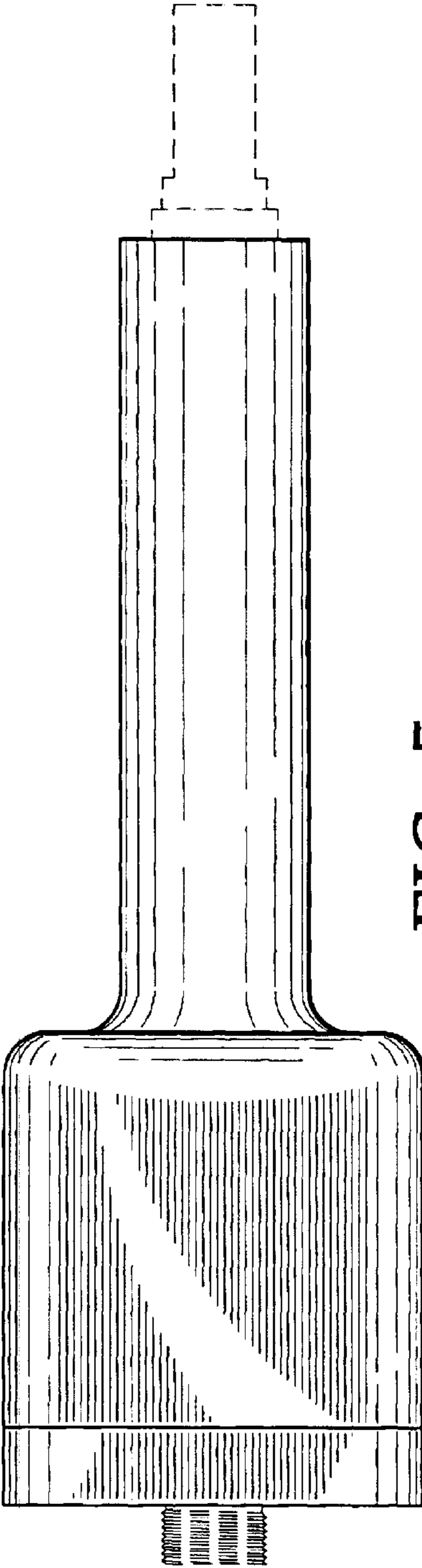


FIG. 5

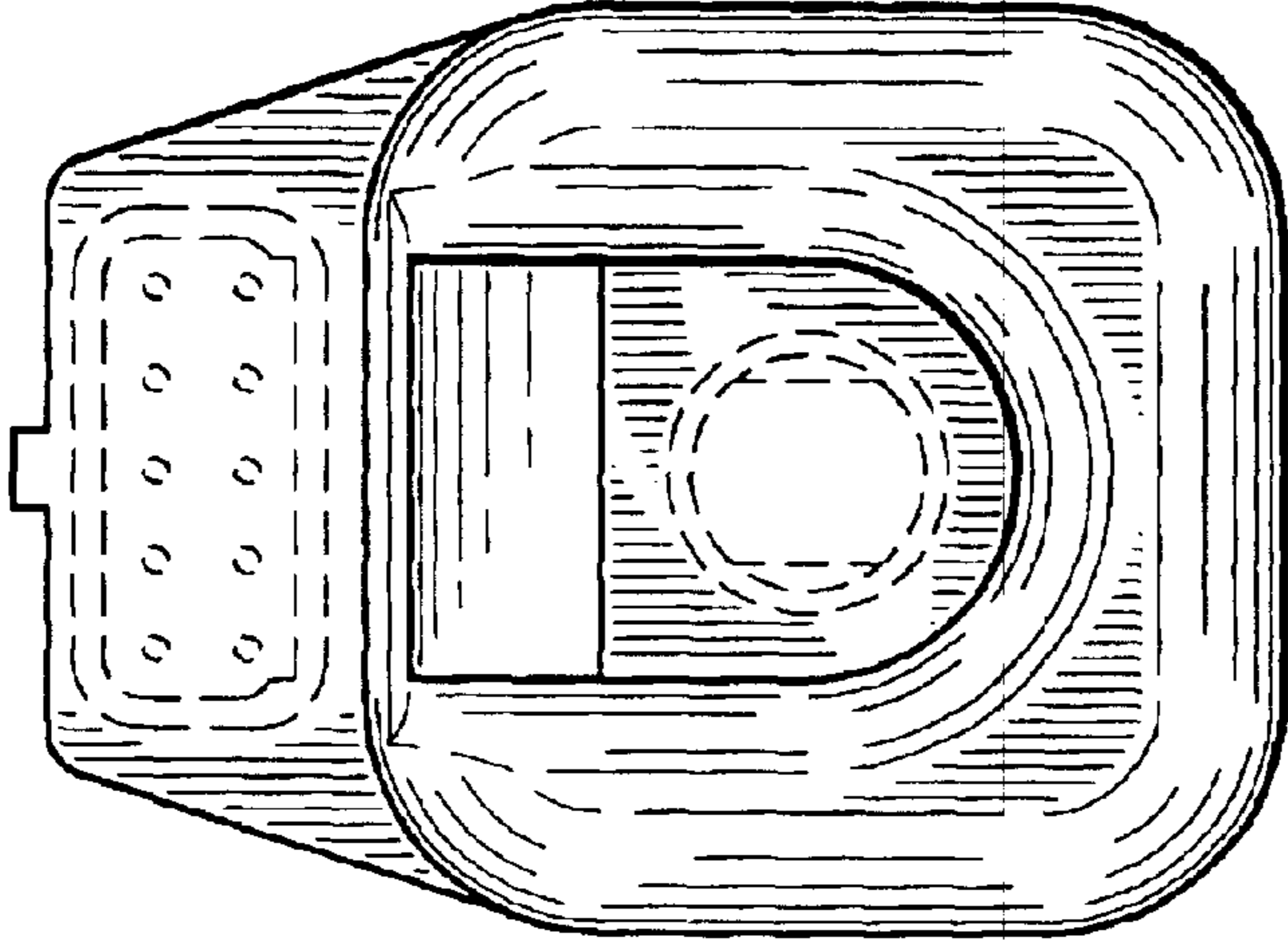


FIG. 7

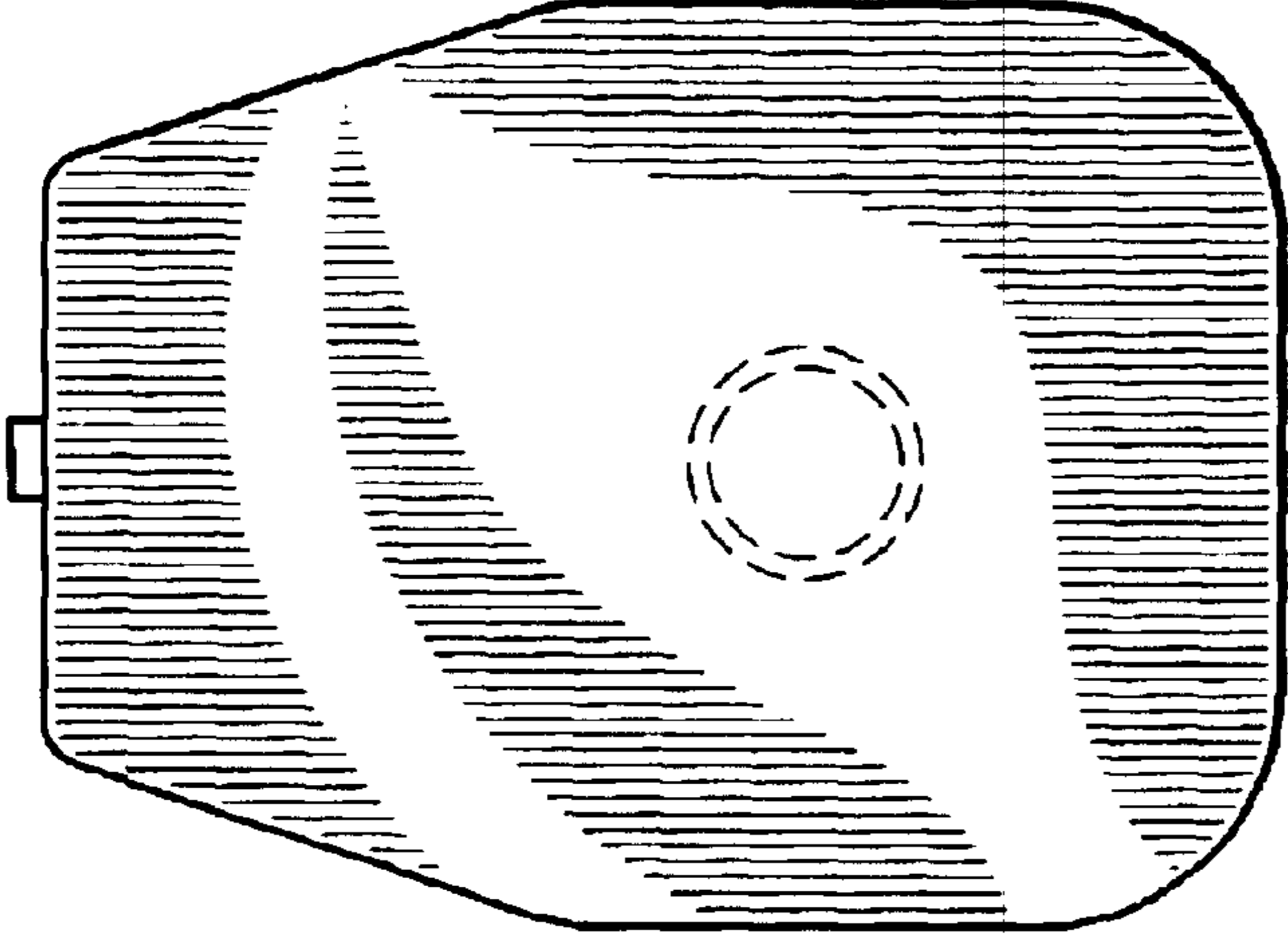


FIG. 6