

US00D497616S1

(12) **United States Design Patent**  
**Ma et al.**

(10) **Patent No.: US D497,616 S**  
(45) **Date of Patent: \*\* Oct. 26, 2004**

(54) **PEN-SHAPED PORTABLE STORING DEVICE**

(75) Inventors: **Tiem-Shun Ma**, Tucheng (TW);  
**Jao-ching Lin**, Taoyuan (TW);  
**Chien-cheng Huang**, Taoyuan (TW)

(73) Assignee: **Asia Vital Components Co., Ltd.**,  
Kaohsiung (TW)

(\*\*) Term: **14 Years**

(21) Appl. No.: **29/186,021**

(22) Filed: **Jul. 9, 2003**

(51) **LOC (7) Cl.** ..... **14-02**

(52) **U.S. Cl.** ..... **D14/431; D14/356; D19/36;**  
D19/57

(58) **Field of Search** ..... D14/420, 431;  
D19/35, 36, 41-43, 45, 51, 52, 54, 57;  
178/19.01, 19.04; 345/179-183; 401/17,  
33, 34, 98, 195, 202; 24/11 P

(56) **References Cited**

**U.S. PATENT DOCUMENTS**

D174,486 S \* 4/1955 Beckstrom ..... D19/57  
3,412,436 A \* 11/1968 Darst ..... 24/11 P  
5,247,137 A \* 9/1993 Epperson ..... 178/19.04  
D364,641 S \* 11/1995 Osterhout ..... D19/36  
D387,804 S \* 12/1997 Izushima ..... D19/51

D400,579 S \* 11/1998 Ham ..... D19/36  
5,902,968 A \* 5/1999 Sato et al. .... 178/19.01  
6,050,735 A \* 4/2000 Hazzard ..... 401/33  
6,130,666 A \* 10/2000 Persidsky ..... 345/179  
D458,635 S \* 6/2002 Boyle et al. .... D19/36

\* cited by examiner

*Primary Examiner*—Freda S. Nunn

(74) *Attorney, Agent, or Firm*—Bacon & Thomas PLLC

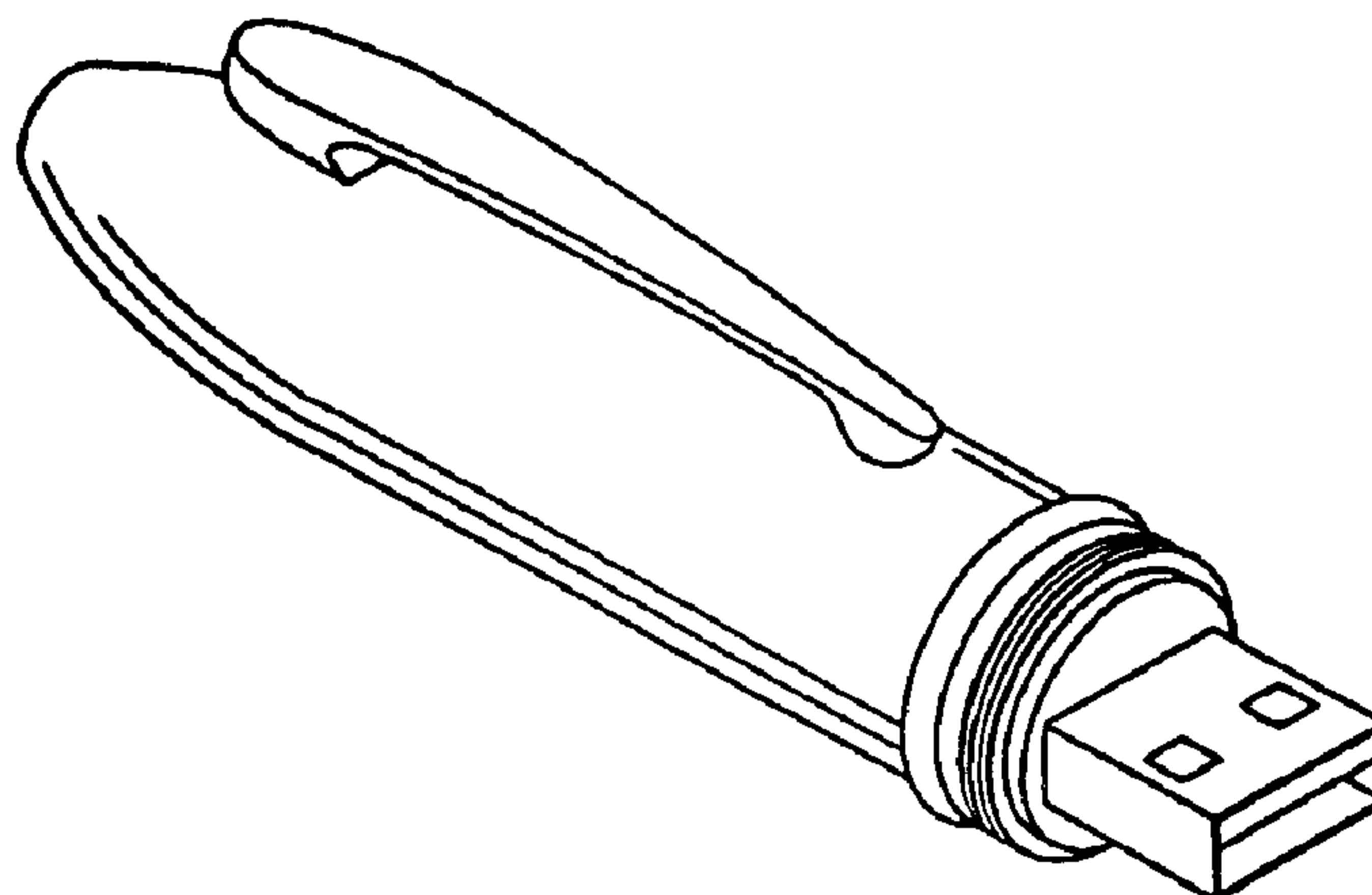
(57) **CLAIM**

The ornamental design for a pen-shaped portable storing device, as shown and described.

**DESCRIPTION**

FIG. 1 is a front elevational view of a pen-shaped portable storing device showing my design;  
FIG. 2 is a rear elevational view thereof;  
FIG. 3 is a left side elevational view thereof (a right elevational view is the same as left side);  
FIG. 4 is a top plan view thereof;  
FIG. 5 is a bottom plan view thereof; and  
FIG. 6 is a perspective view thereof; and,  
FIG. 7 is a perspective view thereof wherein the bottom portion of the storing device is shown in broken lines for illustrative purposes only and forms no part of the claimed design.

**1 Claim, 2 Drawing Sheets**



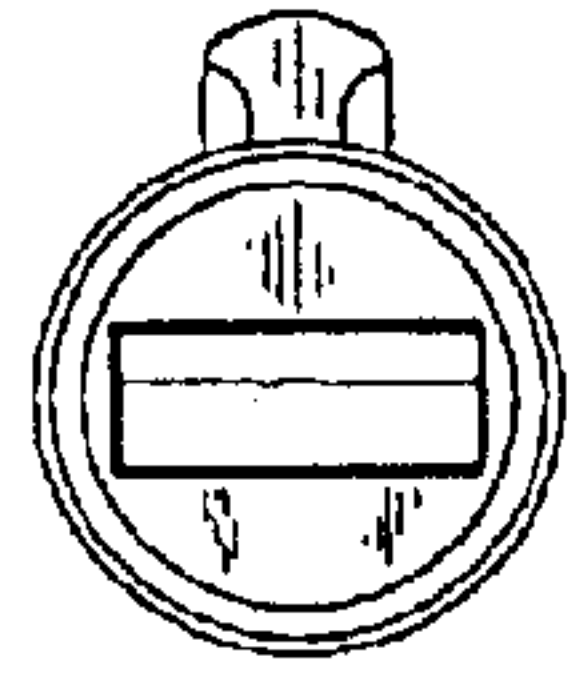


FIG. 1

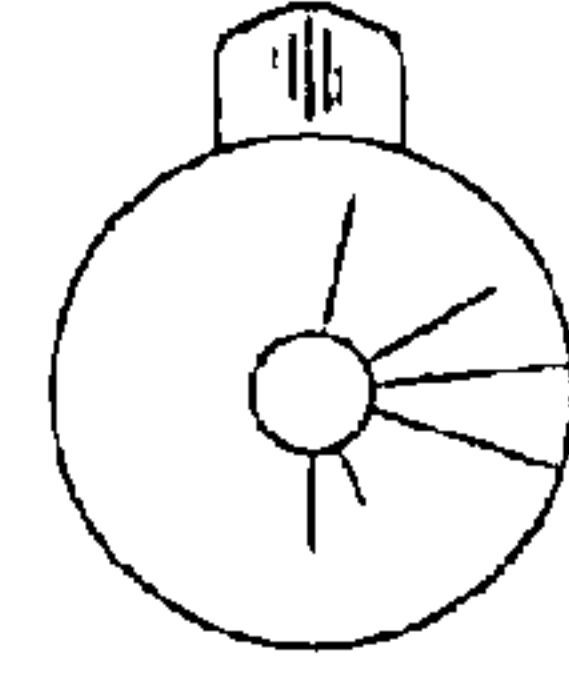


FIG. 2

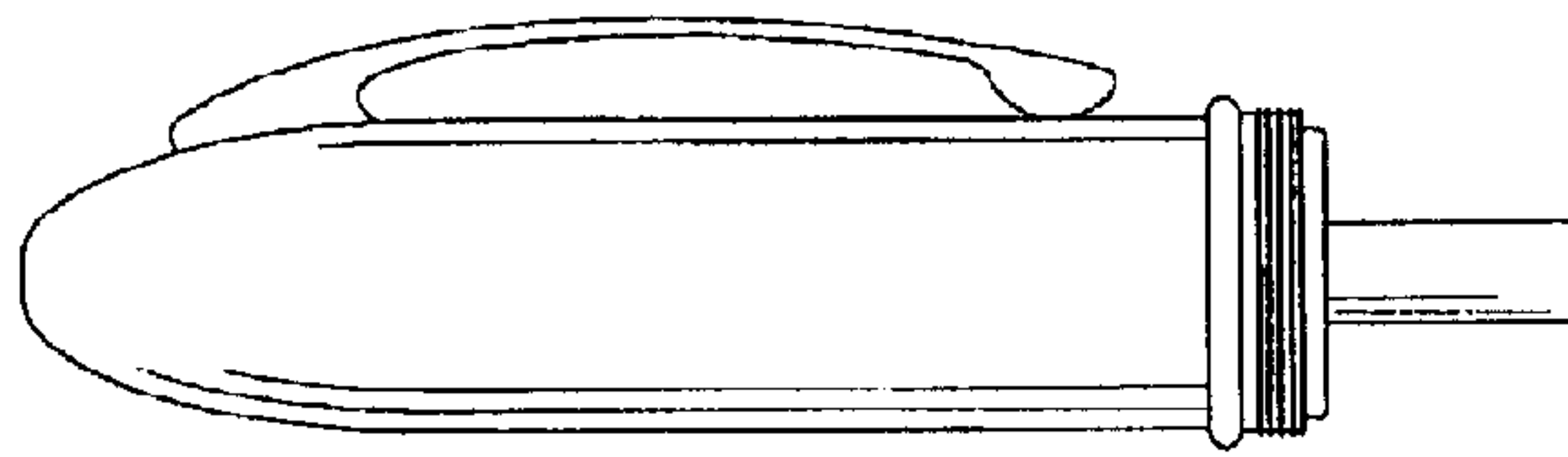


FIG. 3

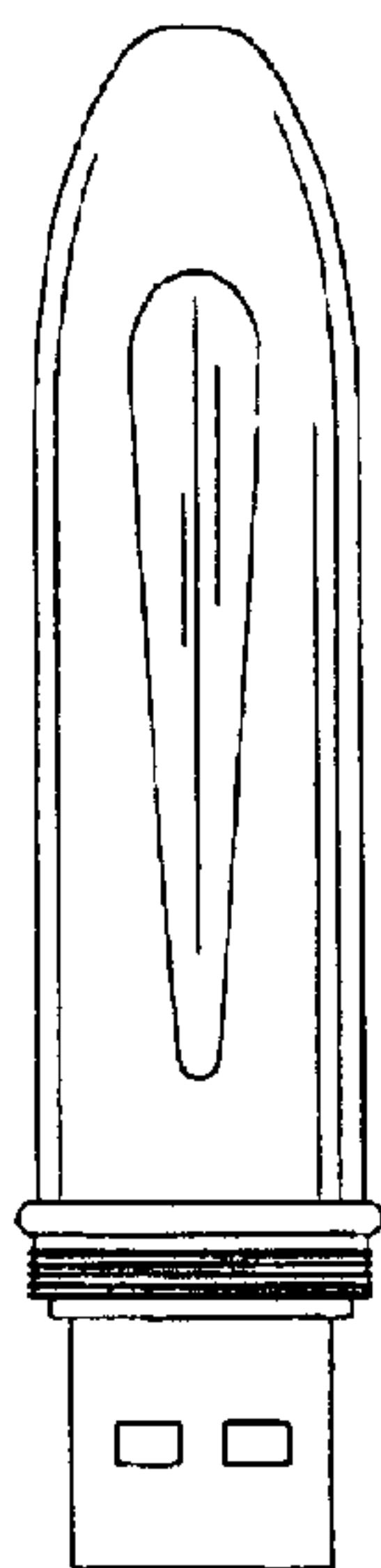


FIG. 4

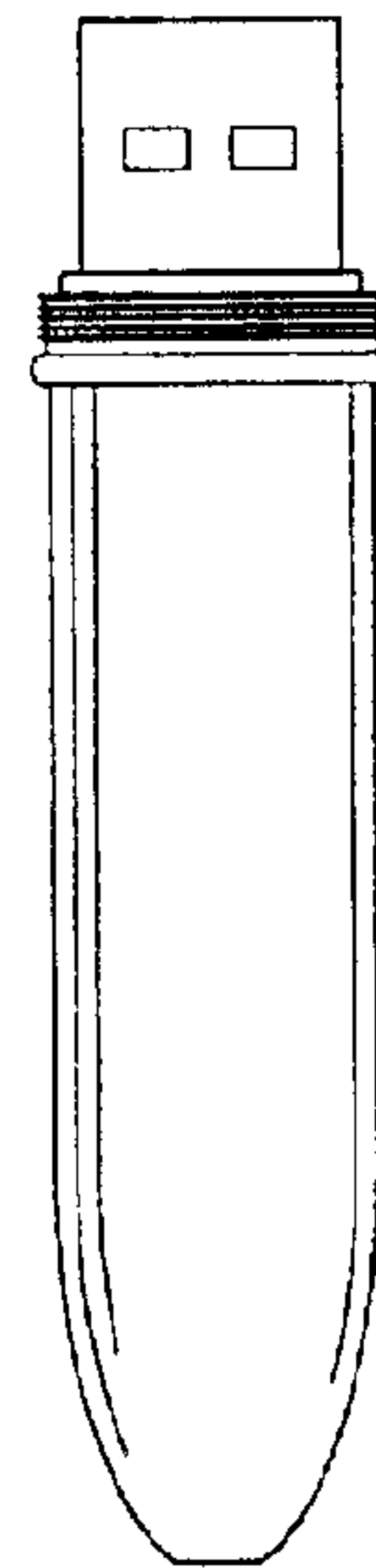


FIG. 5

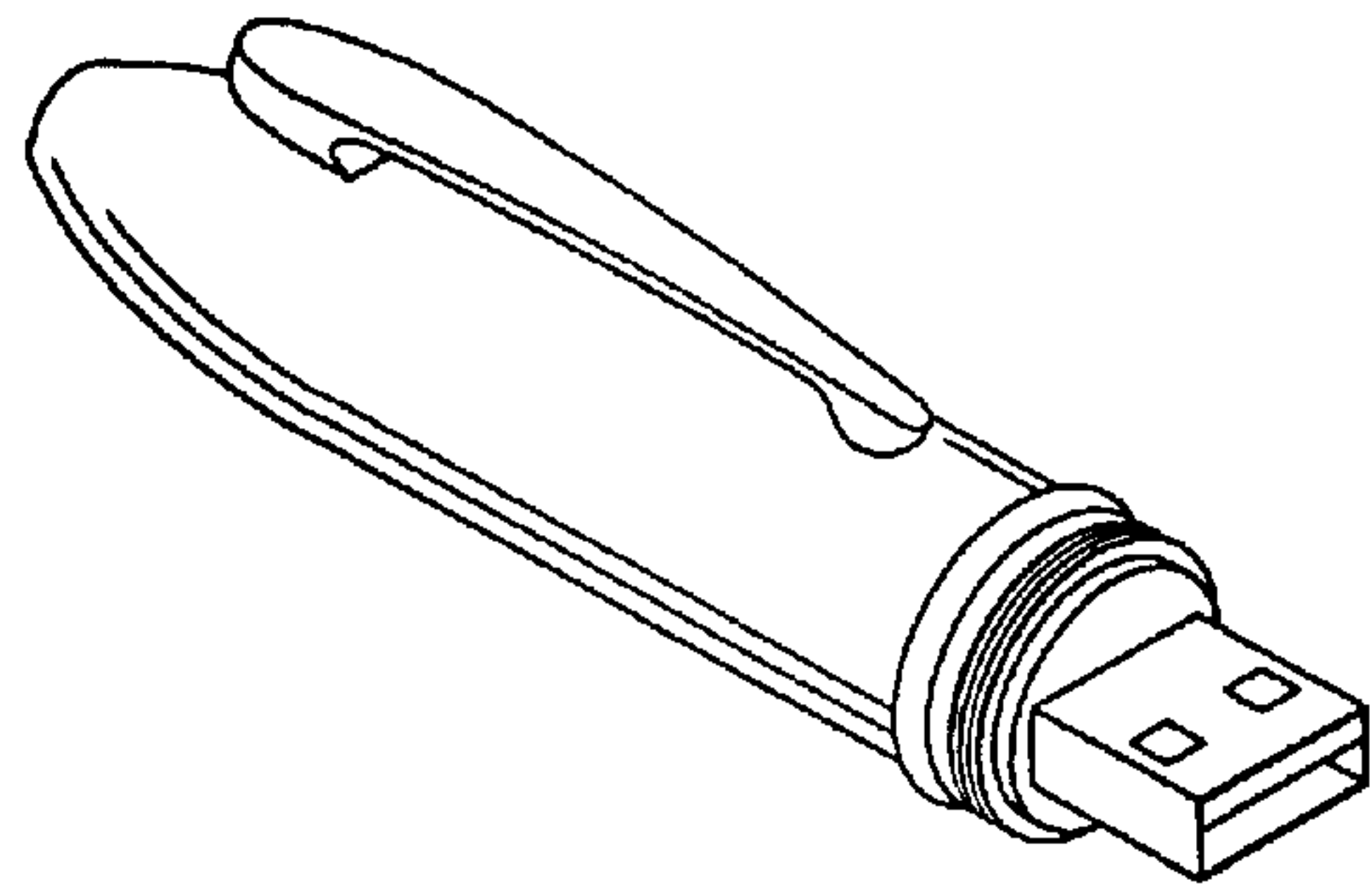


FIG. 6

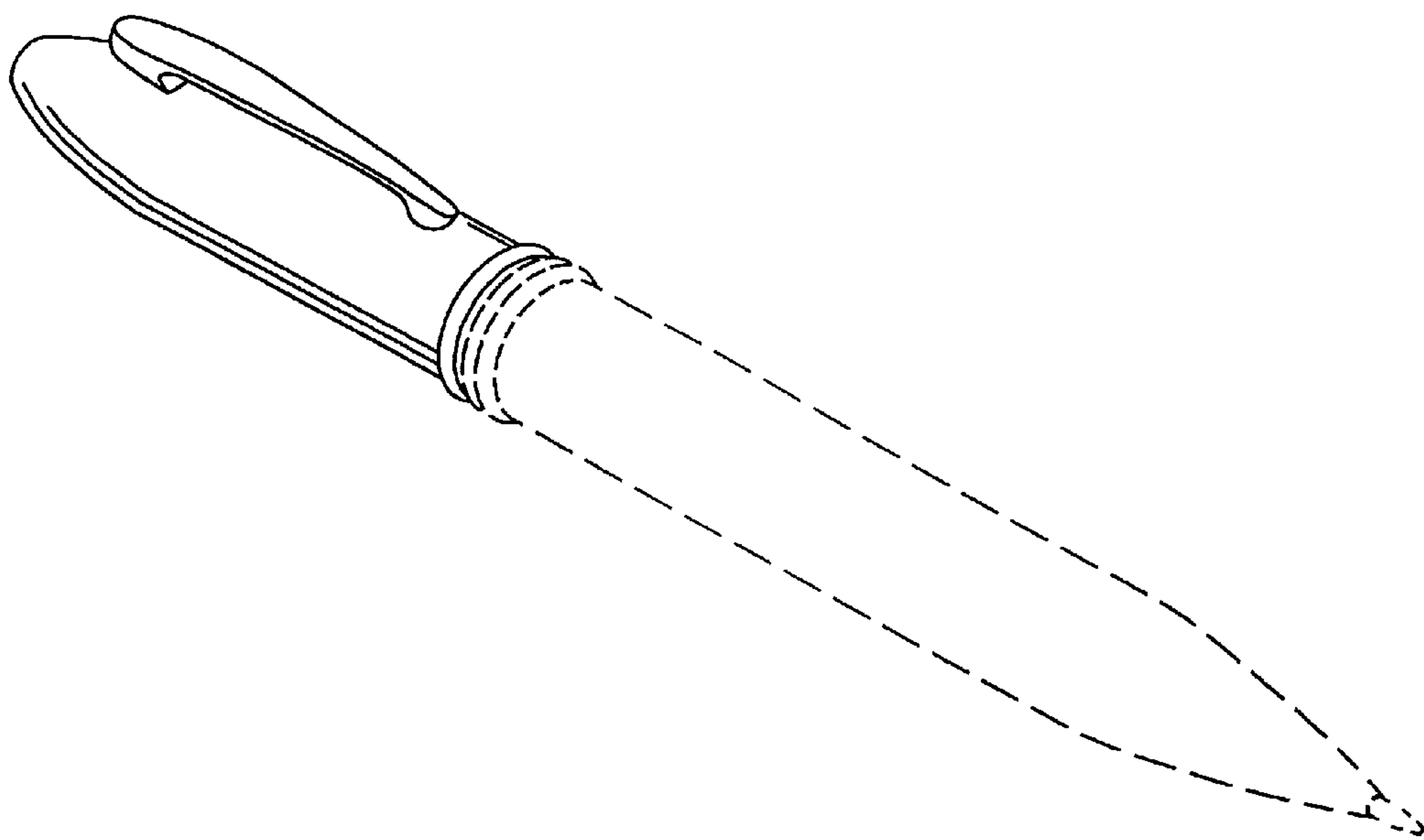


FIG. 7