

US00D497613S1

(12) **United States Design Patent**
Gwee

(10) **Patent No.:** **US D497,613 S**

(45) **Date of Patent:** **** Oct. 26, 2004**

(54) **WIRELESS HEADSET**

D478,067 S * 8/2003 Kawakami et al. D14/223
D485,549 S * 1/2004 Ma et al. D14/223

(76) **Inventor:** **Lin Kar Gwee**, Blk 35, Amber Garden
#05-39, Maryland Points (SG), 43996

* cited by examiner

(**) **Term:** **14 Years**

Primary Examiner—Paula A. Greene
(74) *Attorney, Agent, or Firm*—Ruben C. DeLeon; DeLeon
Law Group PC

(21) **Appl. No.:** **29/193,622**

(22) **Filed:** **Nov. 10, 2003**

(57) **CLAIM**

(51) **LOC (7) Cl.** **14-01**

The ornamental design for a wireless headset, as shown and
described.

(52) **U.S. Cl.** **D14/223; D14/205**

(58) **Field of Search** D14/192, 205,
D14/206, 223; 181/128, 129, 130; 381/381;
379/430, 433; D24/174

DESCRIPTION

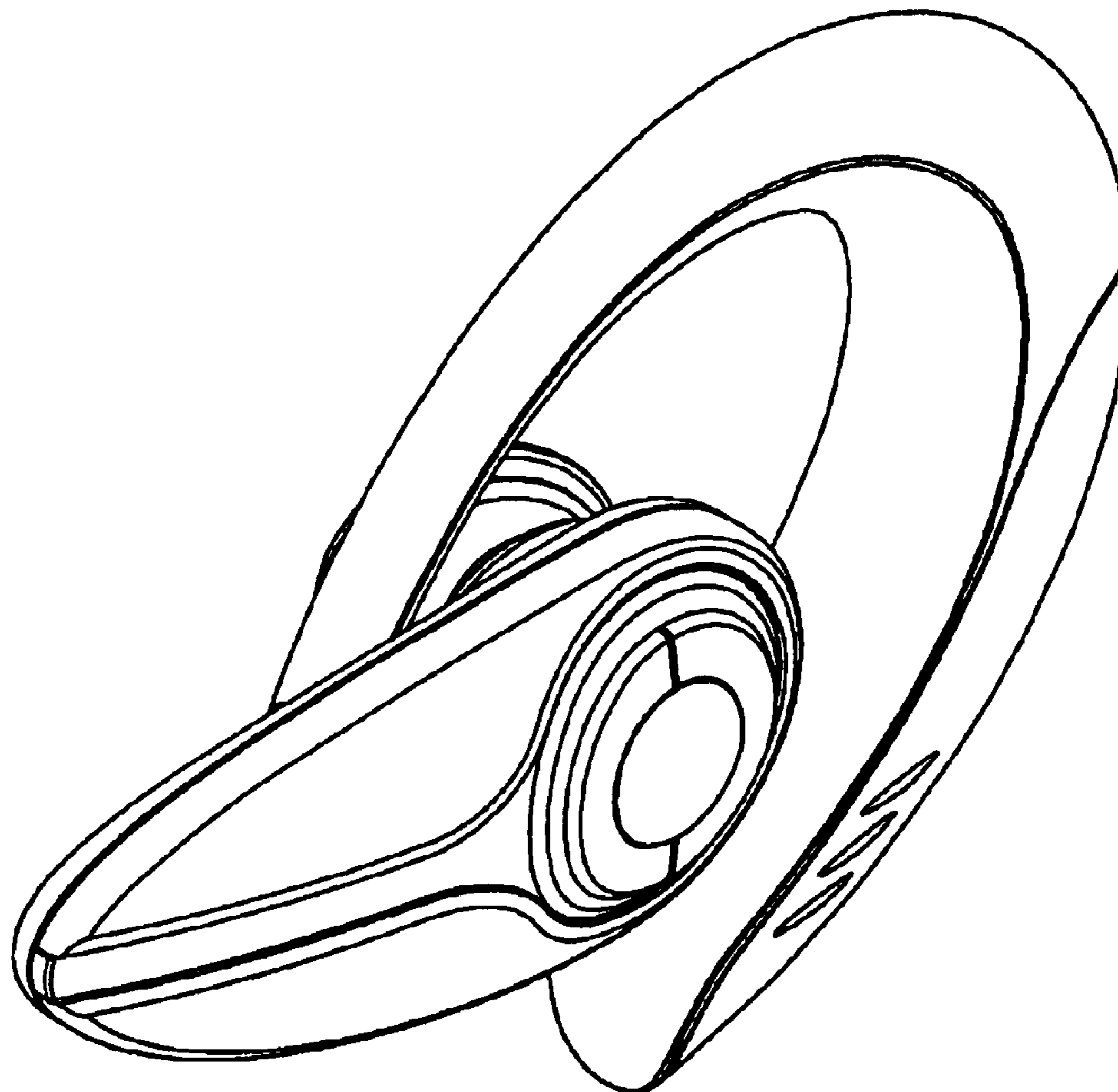
(56) **References Cited**

U.S. PATENT DOCUMENTS

D180,695 S * 7/1957 Norris D14/192
D439,890 S * 4/2001 Skulley et al. D14/223
D443,261 S * 6/2001 Yuyama D14/223
D463,791 S * 10/2002 Nagai et al. D14/223
D471,889 S * 3/2003 Rath et al. D14/205

FIG. 1 is a perspective view of a wireless headset showing
my new design;
FIG. 2 is a front elevational view thereof;
FIG. 3 is a rear elevational view thereof;
FIG. 4 is a left side elevational view thereof;
FIG. 5 is a right side elevational view thereof;
FIG. 6 is a top plan view thereof; and,
FIG. 7 is a bottom plan view thereof.

1 Claim, 7 Drawing Sheets



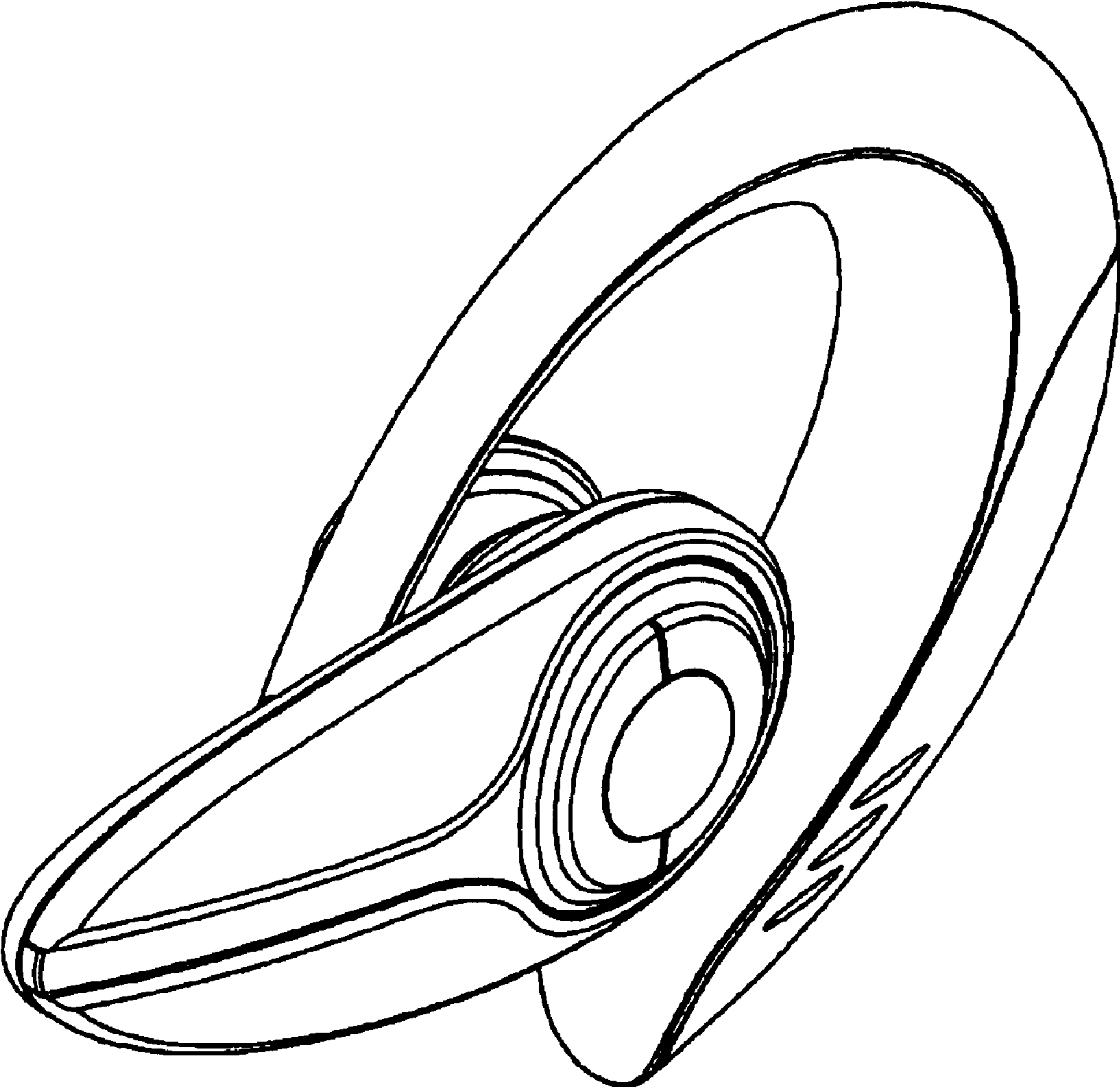


FIG.1

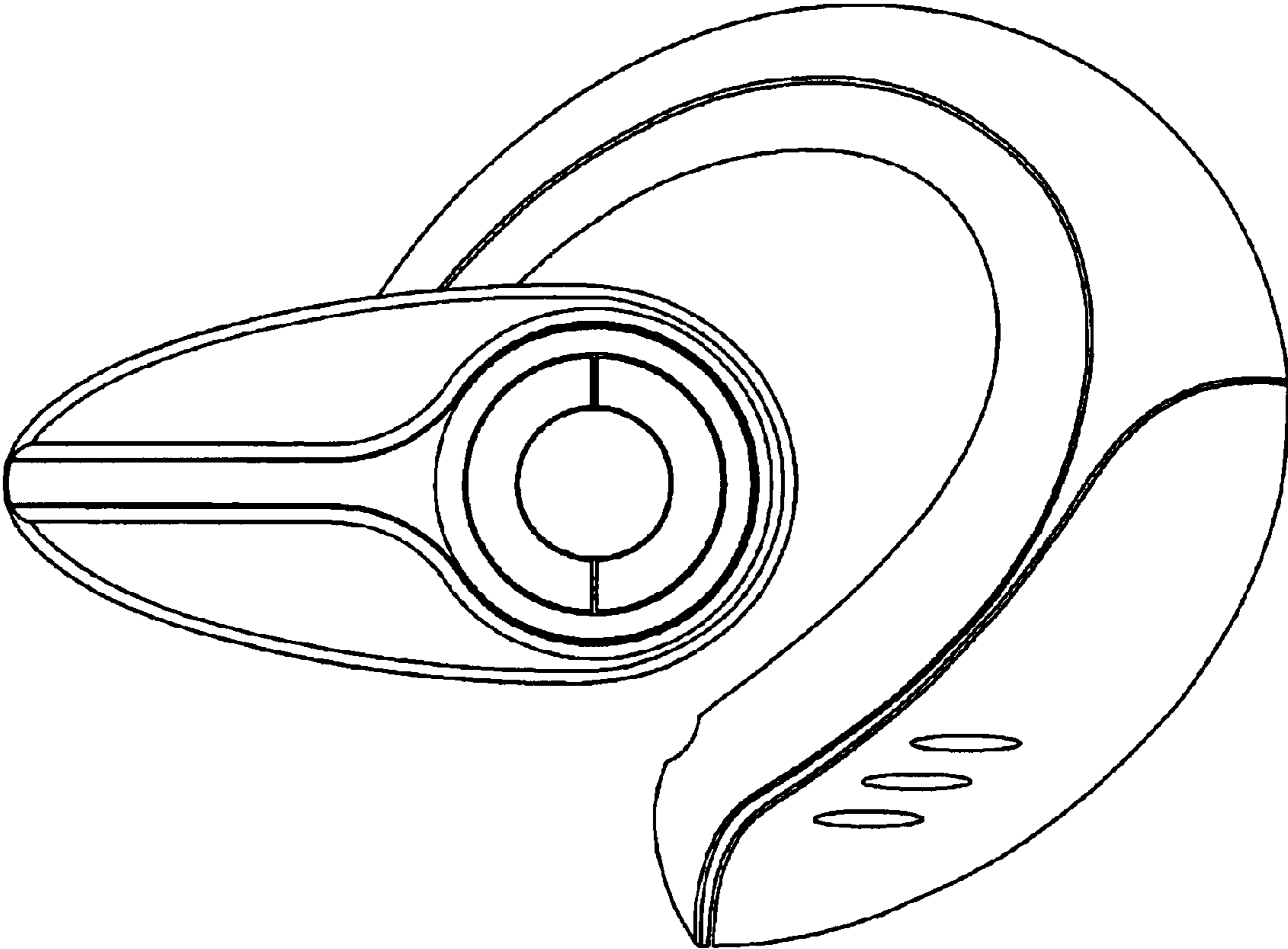


FIG.2

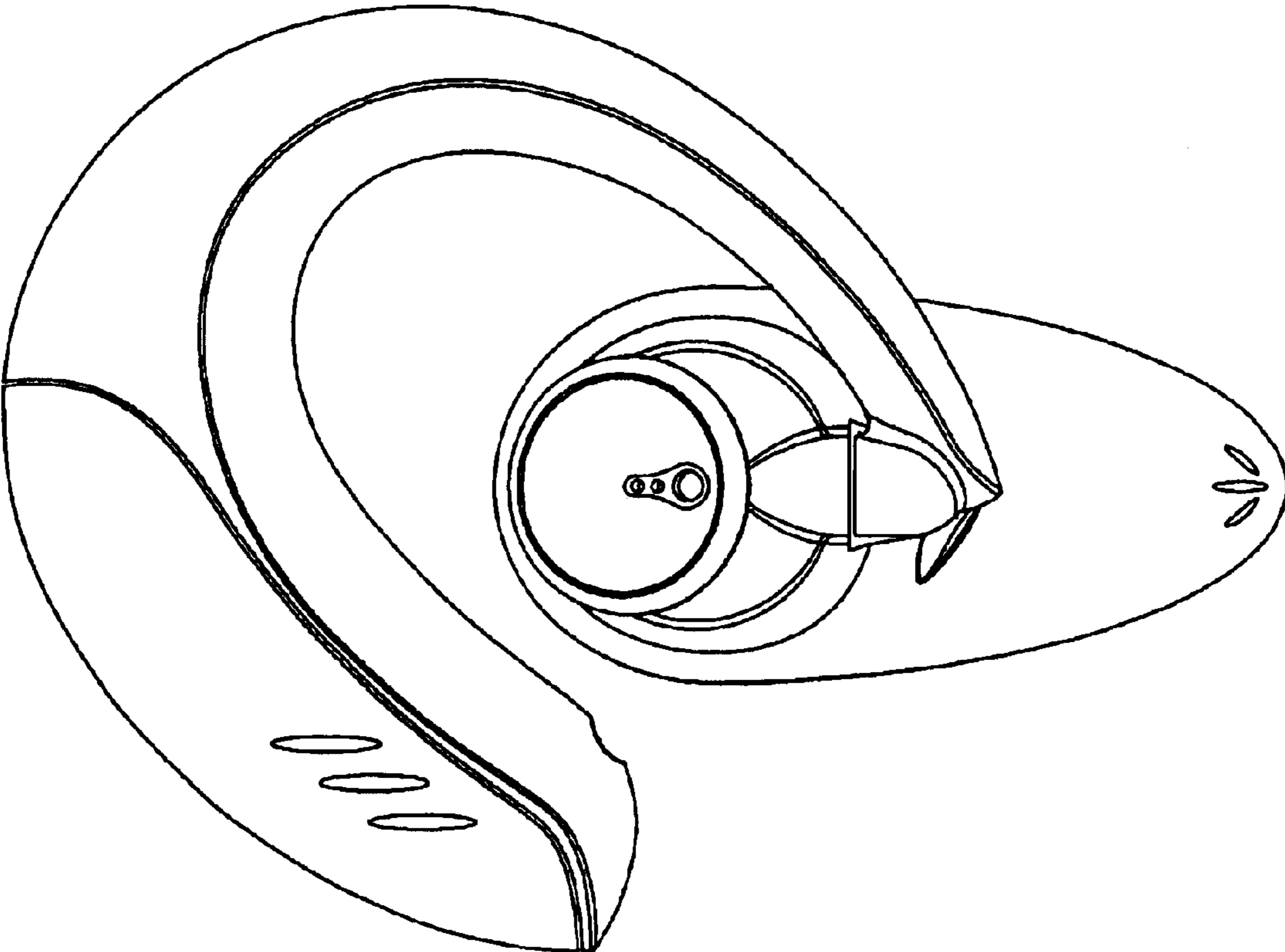


FIG.3

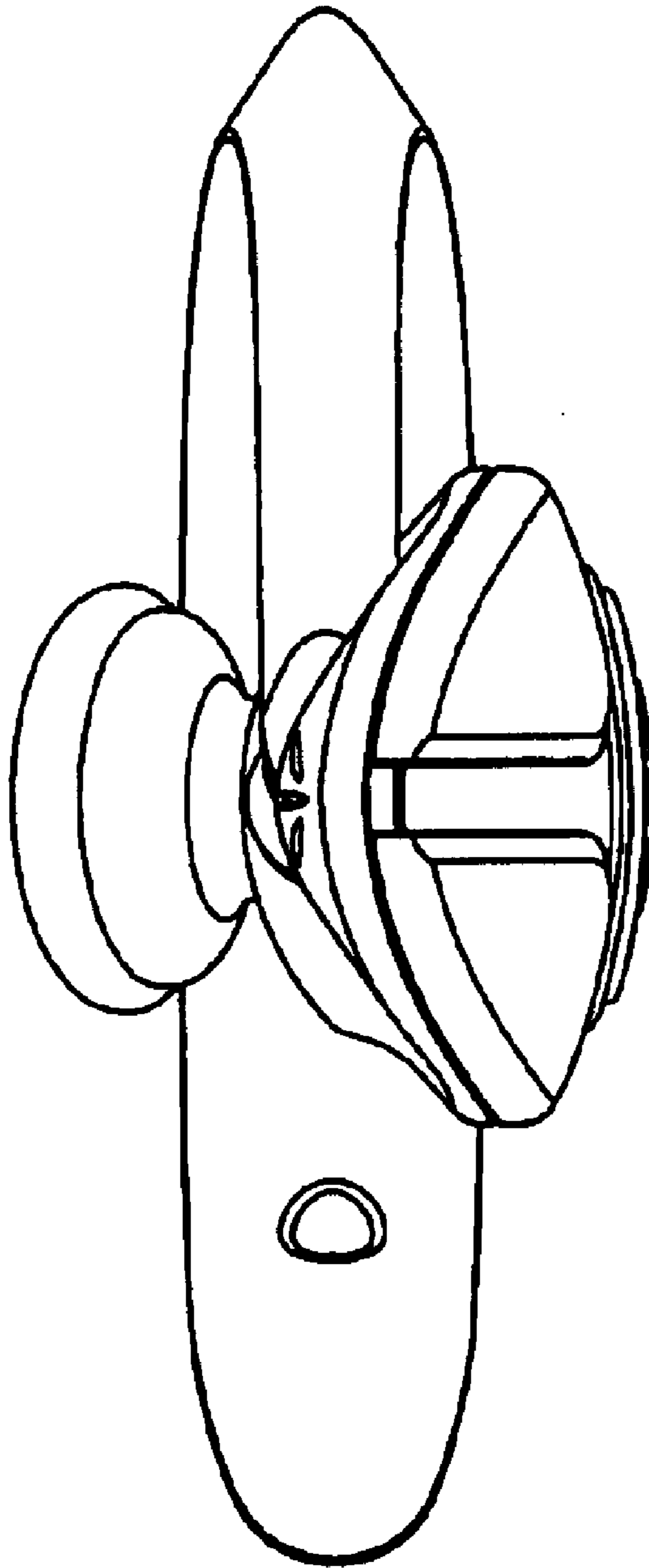


FIG. 4

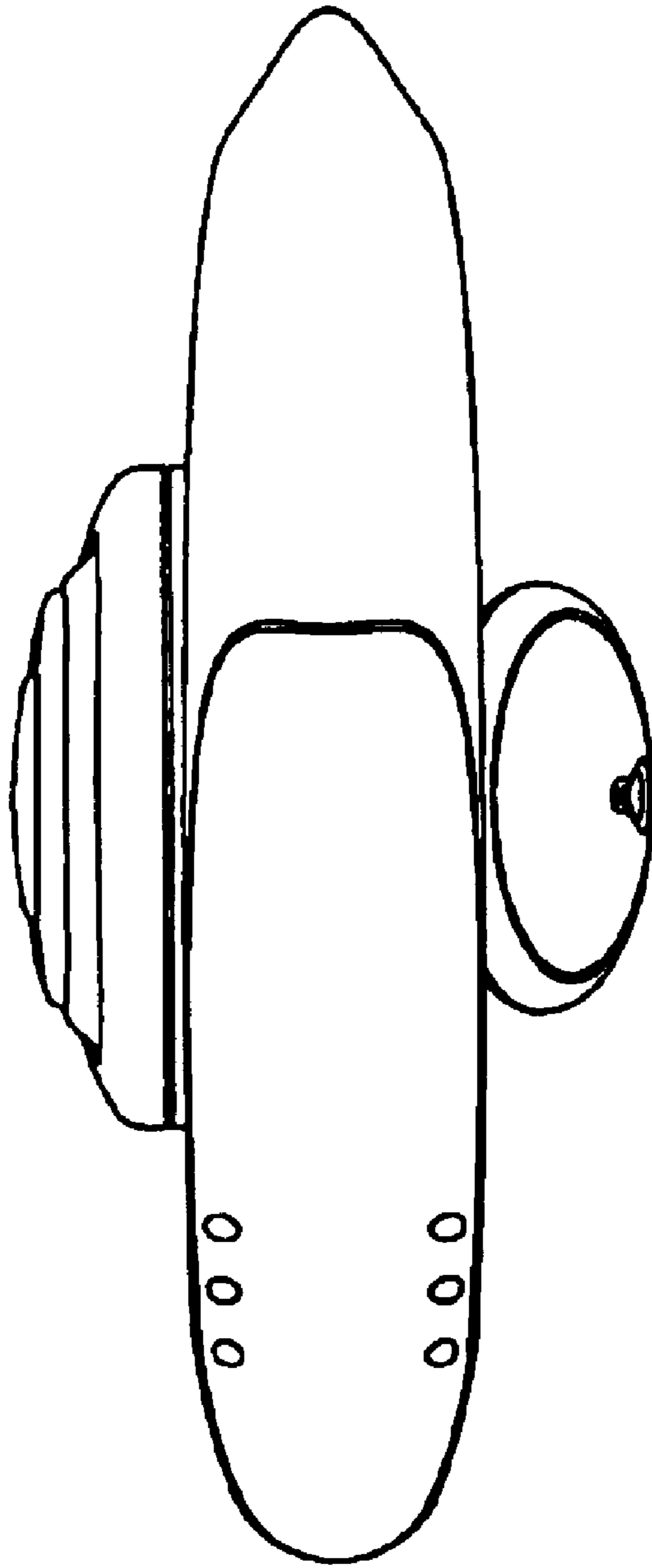


FIG. 5

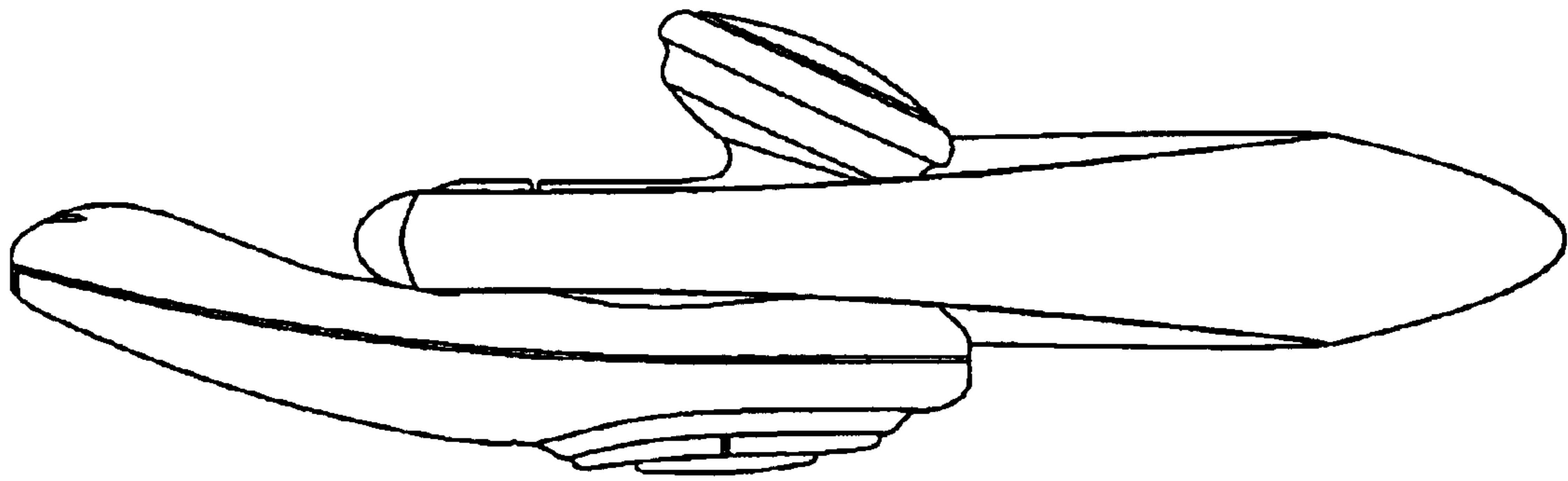


FIG.6

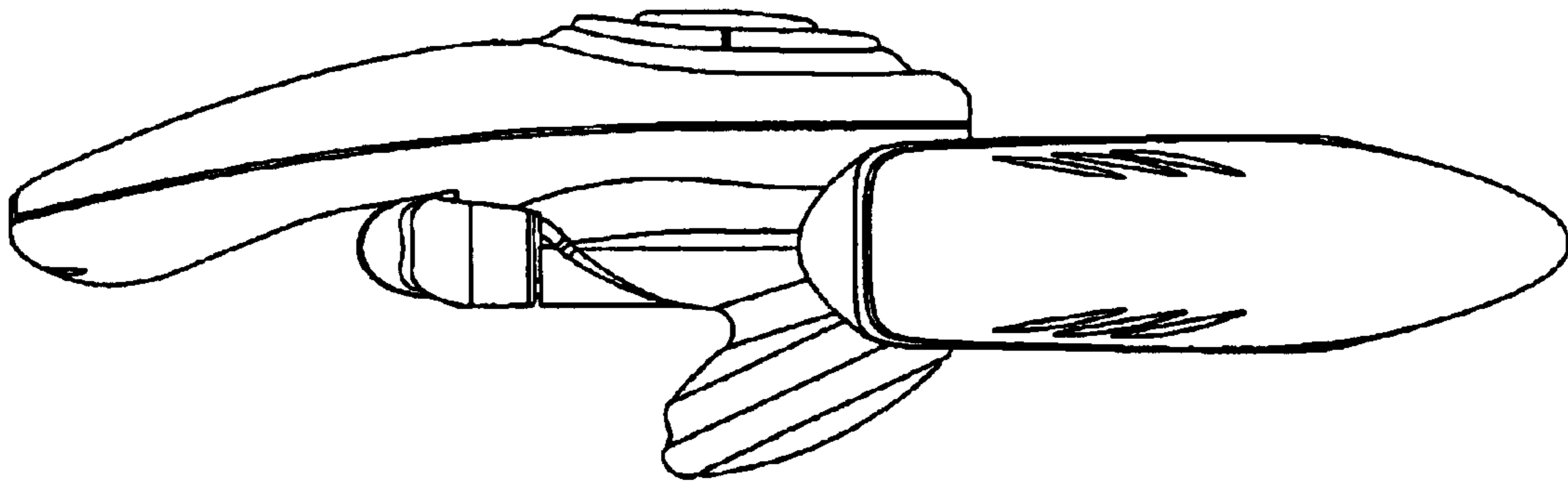


FIG. 7