

US00D497612S1

(12) **United States Design Patent**
Olson

(10) **Patent No.:** **US D497,612 S**
(45) **Date of Patent:** **** Oct. 26, 2004**

(54) **SPEAKER**

D467,238 S * 12/2002 Hlas et al. D14/216

(76) **Inventor:** **Norman Olson**, 1000 Green St., #705,
San Francisco, CA (US) 94133

* cited by examiner

(**) **Term:** **14 Years**

Primary Examiner—Nanda Bondade

(74) *Attorney, Agent, or Firm*—Thomas M. Freiburger

(21) **Appl. No.:** **29/195,112**

(57) **CLAIM**

(22) **Filed:** **Dec. 5, 2003**

The ornamental design for a speaker, substantially as shown and described.

(51) **LOC (7) Cl.** **14-01**

DESCRIPTION

(52) **U.S. Cl.** **D14/216**

(58) **Field of Search** D14/204, 207,
D14/209–216, 356; 181/143–144, 147–148,
150, 157, 198–199, 151, 153; 381/300–302,
306, 333, 345, 361–364, 386–388, 332,
336

FIG. 1 is a front perspective view showing a speaker according to my new design;

FIG. 2 is a front elevational view thereof;

FIG. 3 is a side elevation view thereof, the opposite side being identical;

FIG. 4 is a rear elevation view thereof;

FIG. 5 is a top plan view thereof; and,

FIG. 6 is a bottom plan view thereof.

The broken line showing on FIGS. 1–6 is for illustrative purposes only and forms no part of the claimed design.

(56) **References Cited**

U.S. PATENT DOCUMENTS

2,881,850 A * 4/1959 Bonn 181/153
4,865,153 A * 9/1989 Toyoda 181/153
D420,358 S * 2/2000 Warren D14/214

1 Claim, 2 Drawing Sheets

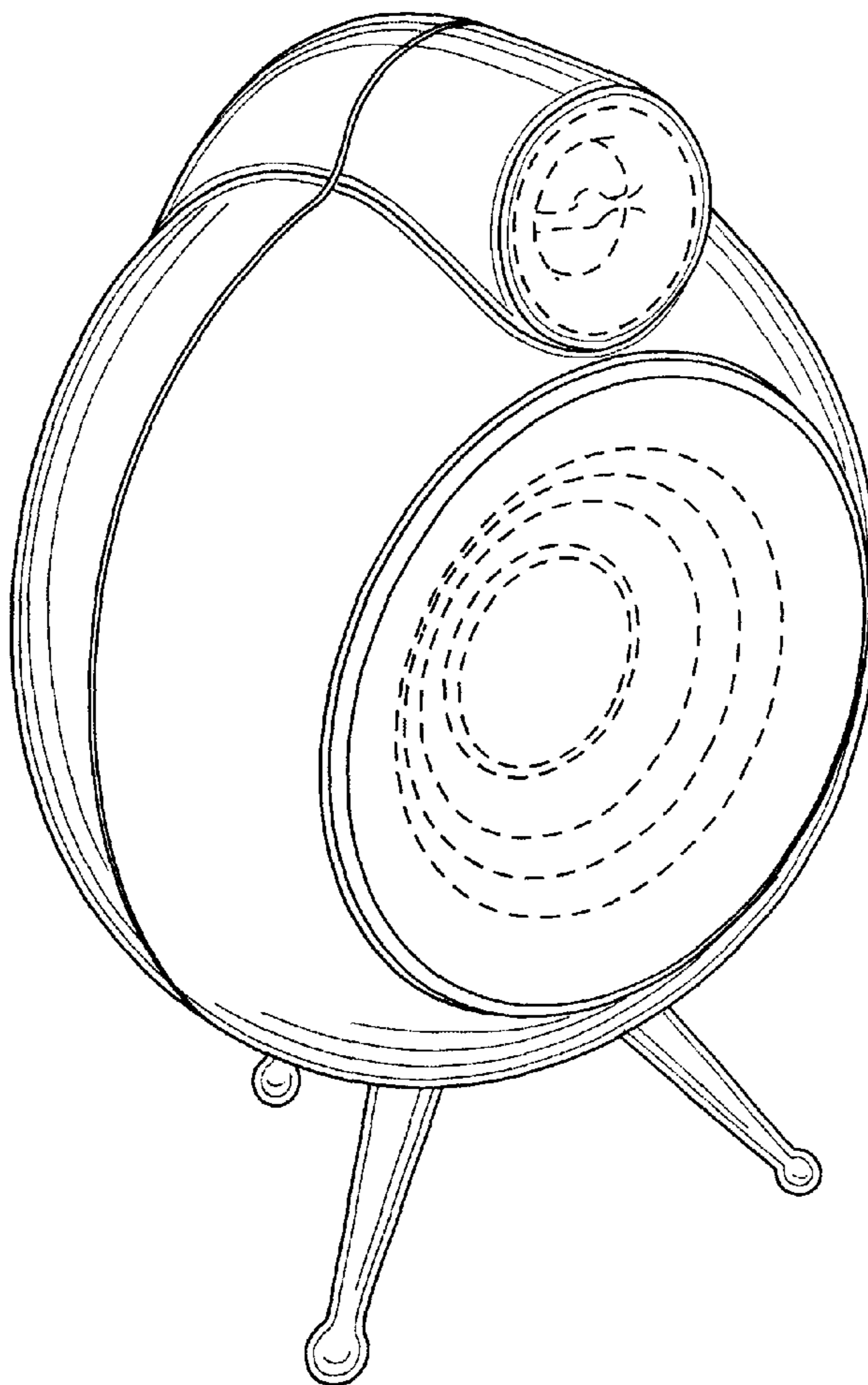


FIG. 1

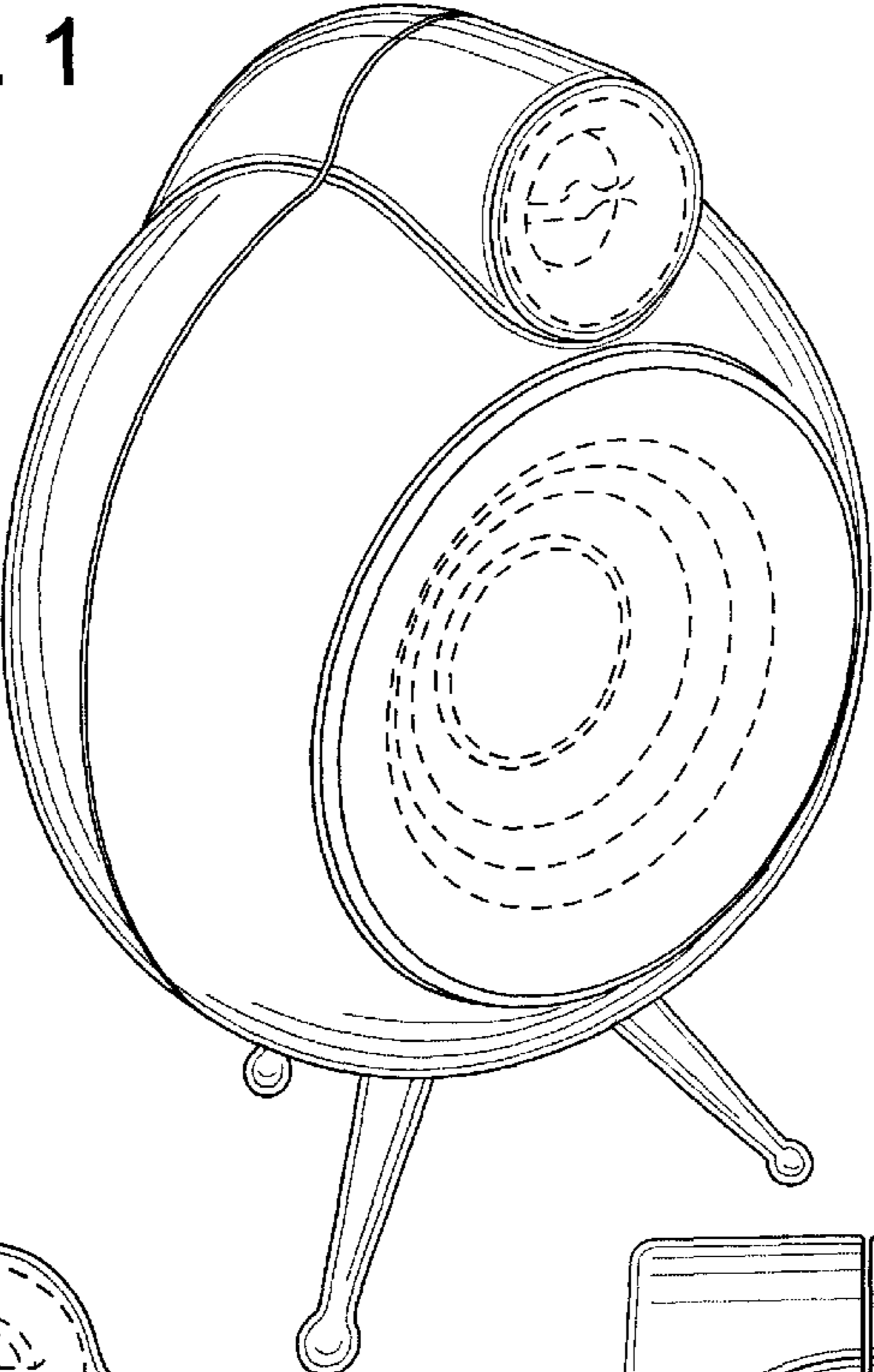


FIG. 2

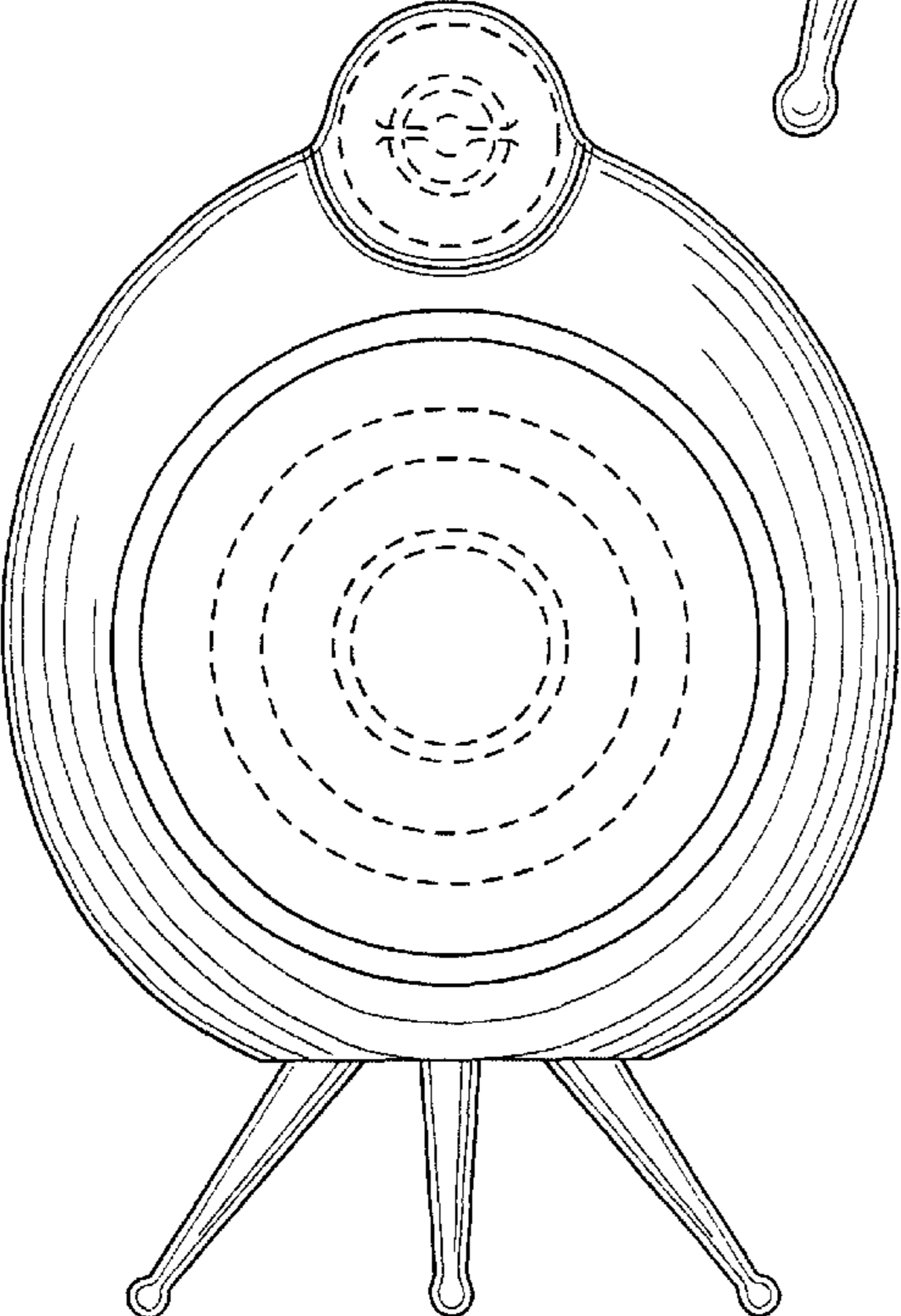


FIG. 3

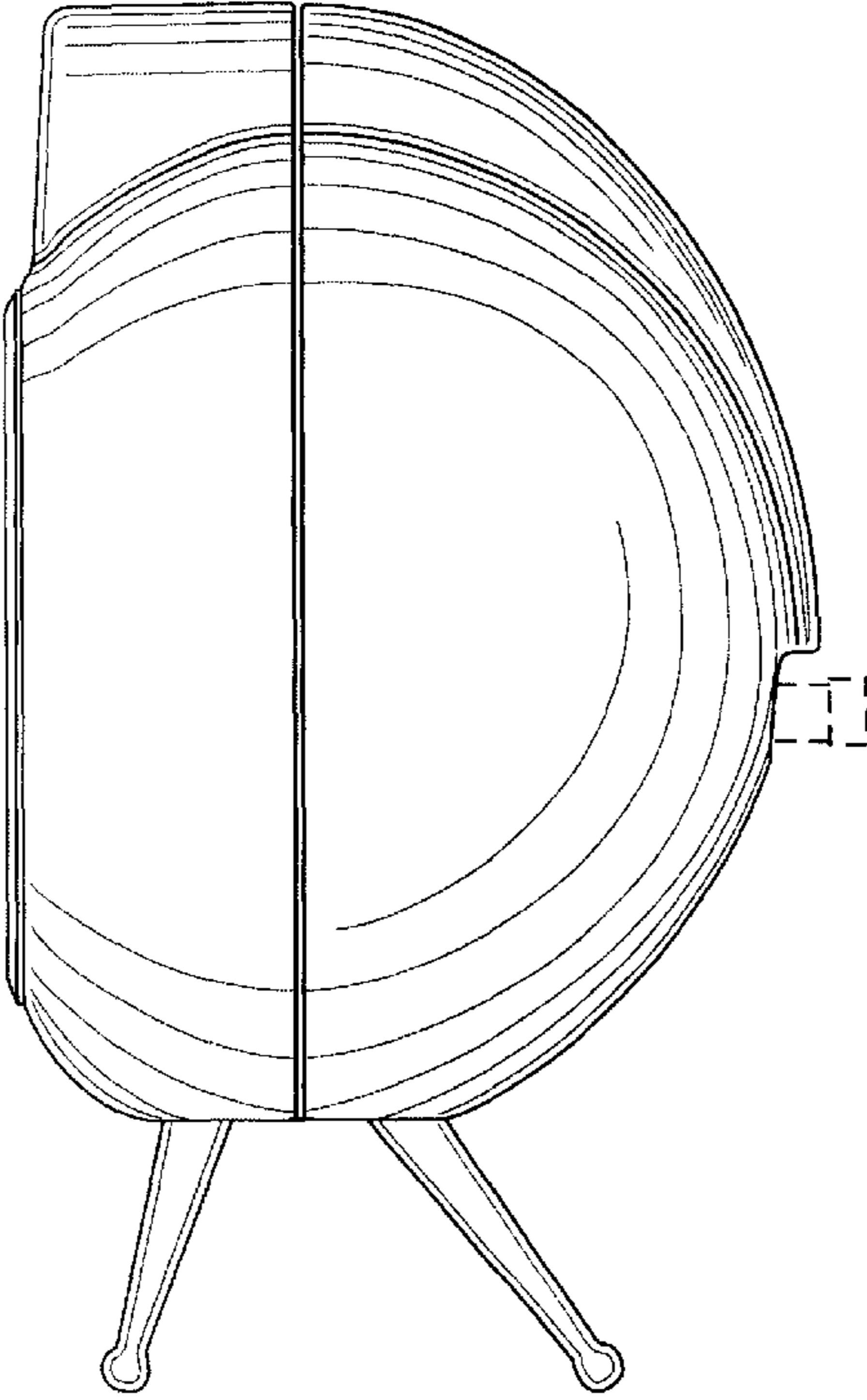


FIG. 4

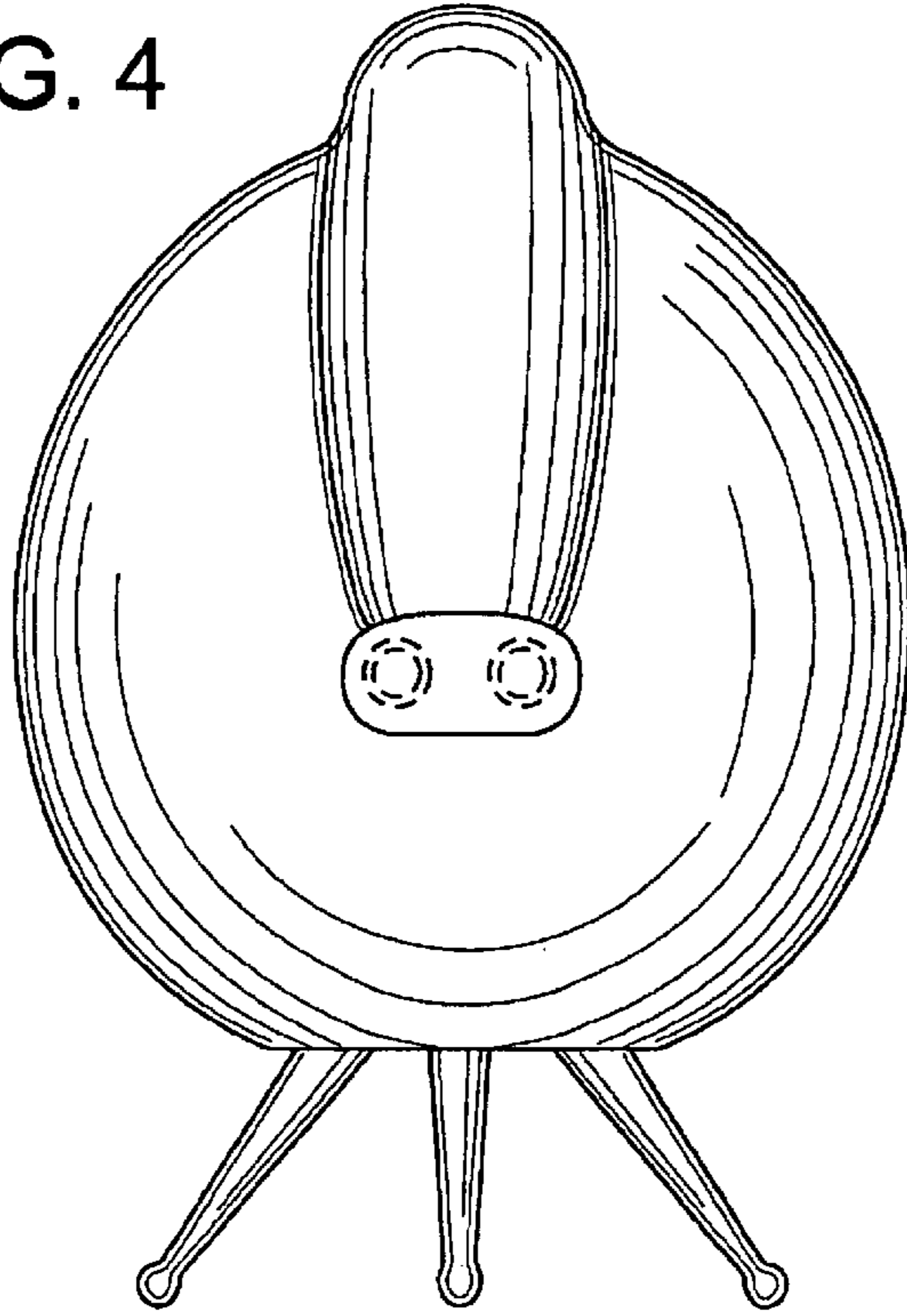


FIG. 5

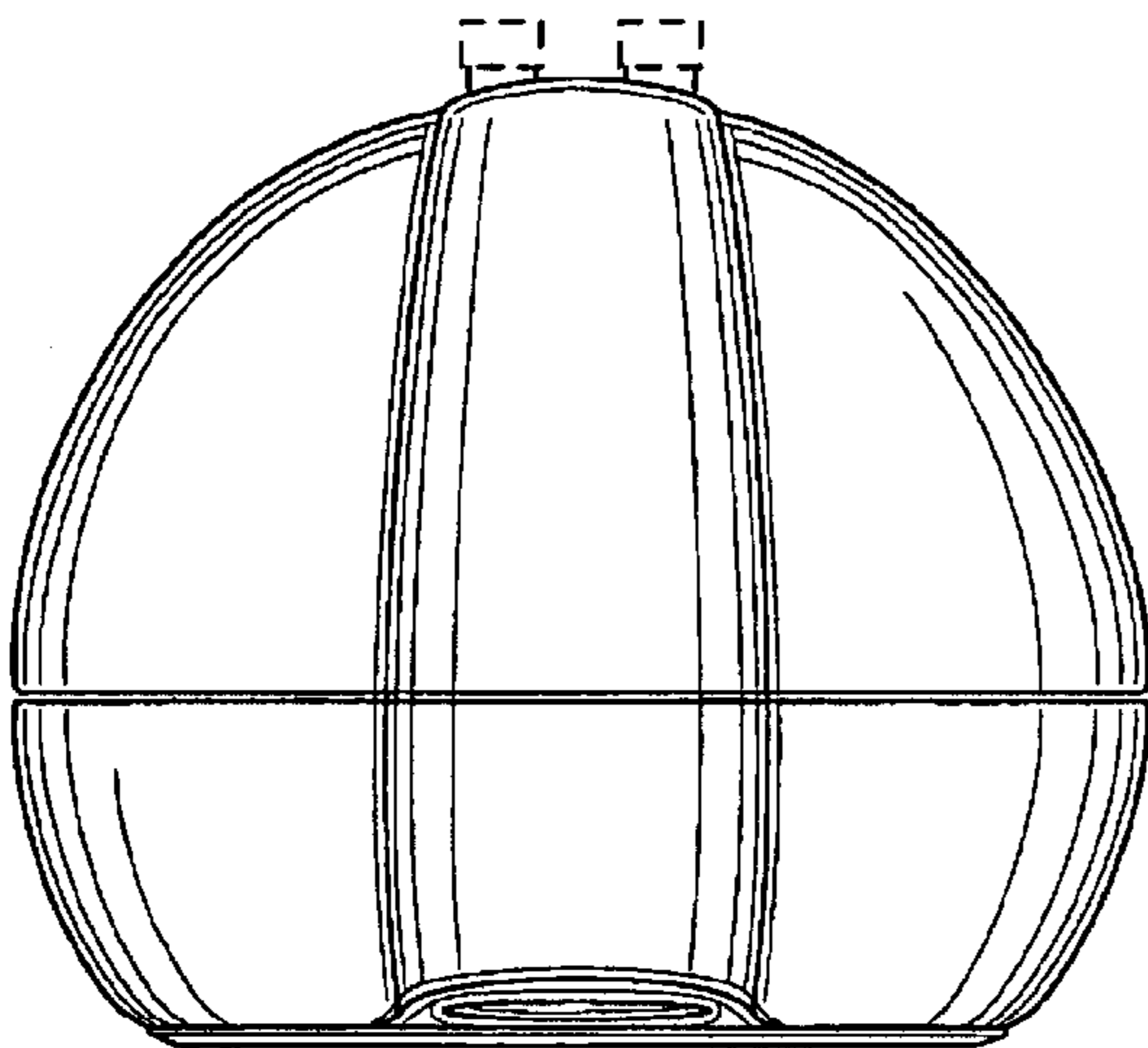


FIG. 6

