

US00D497602S1

(12) **United States Design Patent**
Huff

(10) **Patent No.:** **US D497,602 S**
(45) **Date of Patent:** **** Oct. 26, 2004**

(54) **MOBILE PHONE**

(75) Inventor: **Leif Huff**, München (DE)

(73) Assignee: **Siemens Aktiengesellschaft**, Munich (DE)

(**) Term: **14 Years**

(21) Appl. No.: **29/191,086**

(22) Filed: **Sep. 30, 2003**

(30) **Foreign Application Priority Data**

Apr. 1, 2003 (DE) 4 03 02 745

(51) **LOC (7) Cl.** **14-03**

(52) **U.S. Cl.** **D14/138**

(58) **Field of Search** D14/137, 138,
D14/218, 147-148, 247-248, 144, 341-347;
379/433.01-433.13, 419, 434, 428.01-428.04,
420.01-420.04, 440; 455/550.1-90.3; D21/517;
D13/168; D18/2, 7; 345/168, 169; D11/216,
212, 218, 215, 220

(56) **References Cited**

U.S. PATENT DOCUMENTS

D251,634 S * 4/1979 Sulek et al. D18/7
D303,233 S * 9/1989 Jang D11/216
5,151,946 A * 9/1992 Martensson 455/575.4
D349,664 S * 8/1994 Ueno D11/216
D356,563 S * 3/1995 Berry D14/138
D359,464 S * 6/1995 Grasso et al. D11/216
5,590,444 A * 1/1997 Krauss 24/625
D381,020 S * 7/1997 Harden et al. D14/138
D407,399 S * 3/1999 Frye et al. D14/138
D408,813 S * 4/1999 Prior D14/138
D409,601 S * 5/1999 Wicks et al. D14/138
D418,119 S * 12/1999 Rowell D3/218
D420,351 S * 2/2000 Waldner D14/138
D421,256 S * 2/2000 Sato et al. D14/138
D427,171 S * 6/2000 Frye et al. D14/138
D454,849 S * 3/2002 Eckholm D14/138
D464,645 S * 10/2002 O'Neil D14/248
D464,963 S * 10/2002 Nishida D14/346
D467,918 S * 12/2002 Fitch et al. D14/347

D469,748 S * 2/2003 Ribeiro et al. D14/138
D470,657 S * 2/2003 Kawamura D3/247
D470,843 S * 2/2003 Horiki D14/346
D474,594 S * 5/2003 Casparian D3/218
D476,634 S * 7/2003 Lehtonen D14/138
D478,883 S * 8/2003 Jensfelt et al. D14/138
D479,213 S * 9/2003 Ansley et al. D14/138
D480,057 S * 9/2003 Ho-Cheun et al. D14/138
D487,068 S * 2/2004 Isaacs et al. D14/138
D487,069 S * 2/2004 Thaler et al. D14/138
D488,789 S * 4/2004 Lee D14/138
D489,698 S * 5/2004 Kim et al. D14/138
2002/0006813 A1 * 1/2002 Lubowicki et al. 455/566
2004/0071286 A1 * 4/2004 Asaro 379/433.01

FOREIGN PATENT DOCUMENTS

WO DM/064370 * 9/2003

* cited by examiner

Primary Examiner—Jeffrey Asch

(74) *Attorney, Agent, or Firm*—Bell, Boyd & Lloyd LLC

(57) **CLAIM**

I claim the ornamental design for a mobile phone, as shown and described.

DESCRIPTION

FIG. 1 is an exploded front elevational view of a mobile phone of the claimed design.

FIG. 2 is an exploded rear elevational view of the mobile phone of FIG. 1.

FIG. 3 is a bottom view of the mobile phone of FIG. 1, wherein the cover has been omitted for convenience of illustration.

FIG. 4 is a top view of the mobile phone of FIG. 1.

FIG. 5 is a right side view of the mobile phone of FIG. 1.

FIG. 6 is a left side view of the mobile phone of FIG. 1.

FIG. 7 is a perspective view of the mobile phone of FIG. 1, wherein the cover has been omitted for convenience of illustration; and,

FIG. 8 is another perspective view of the mobile phone of FIG. 1.

1 Claim, 8 Drawing Sheets

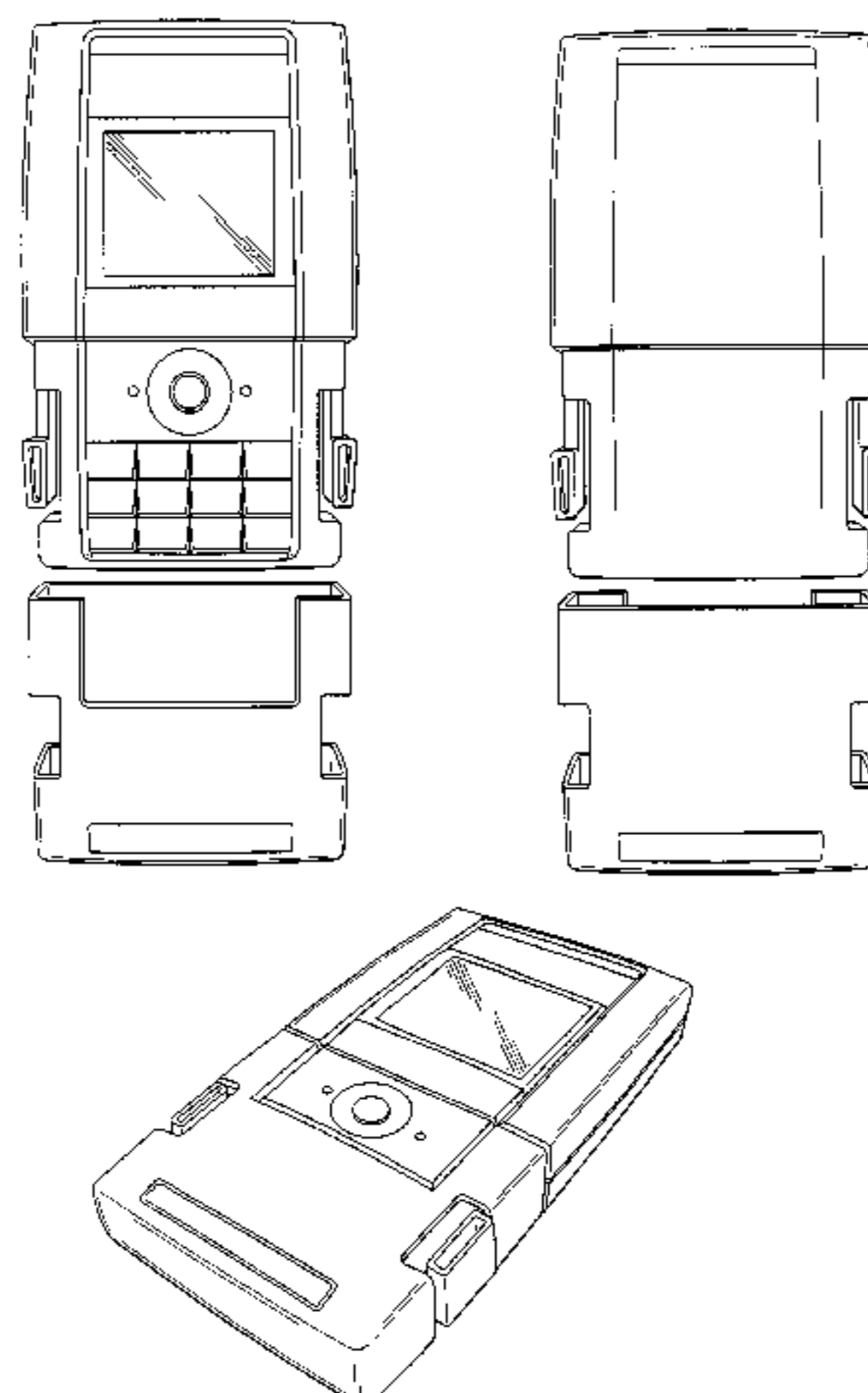


FIG.1

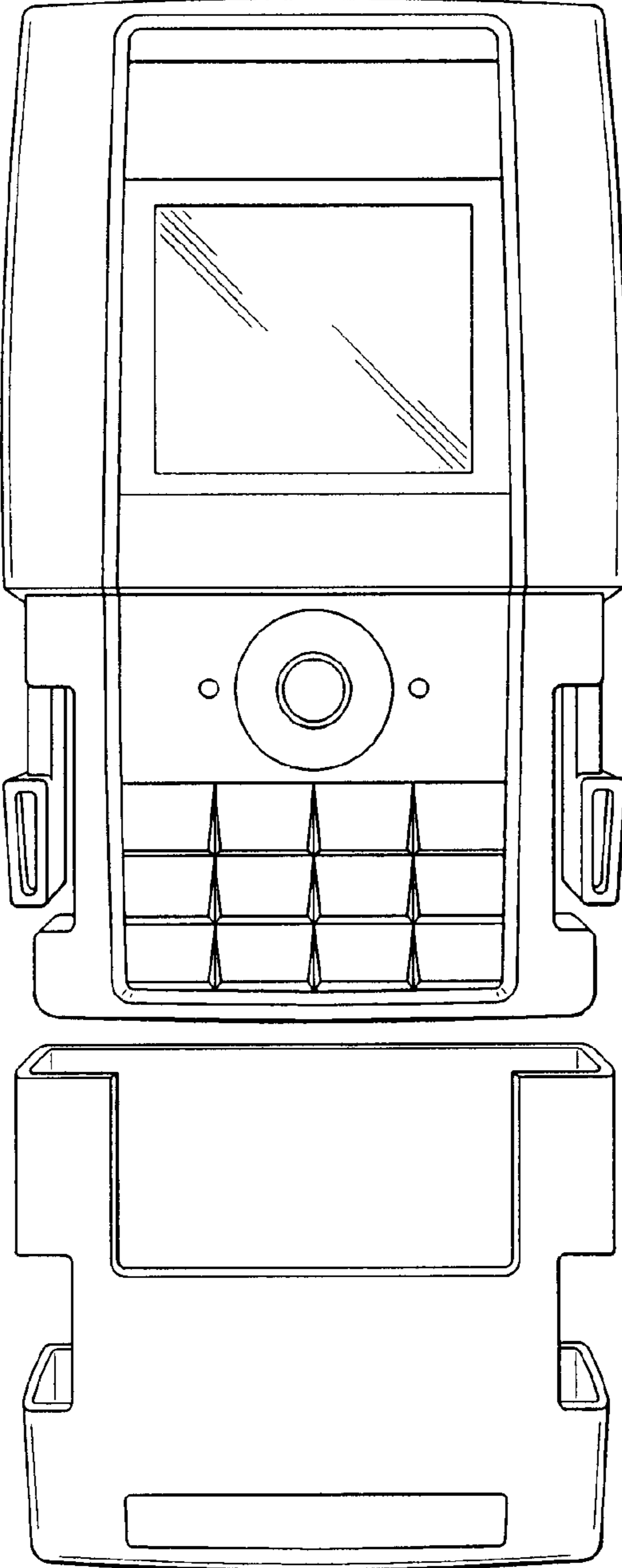


FIG. 2

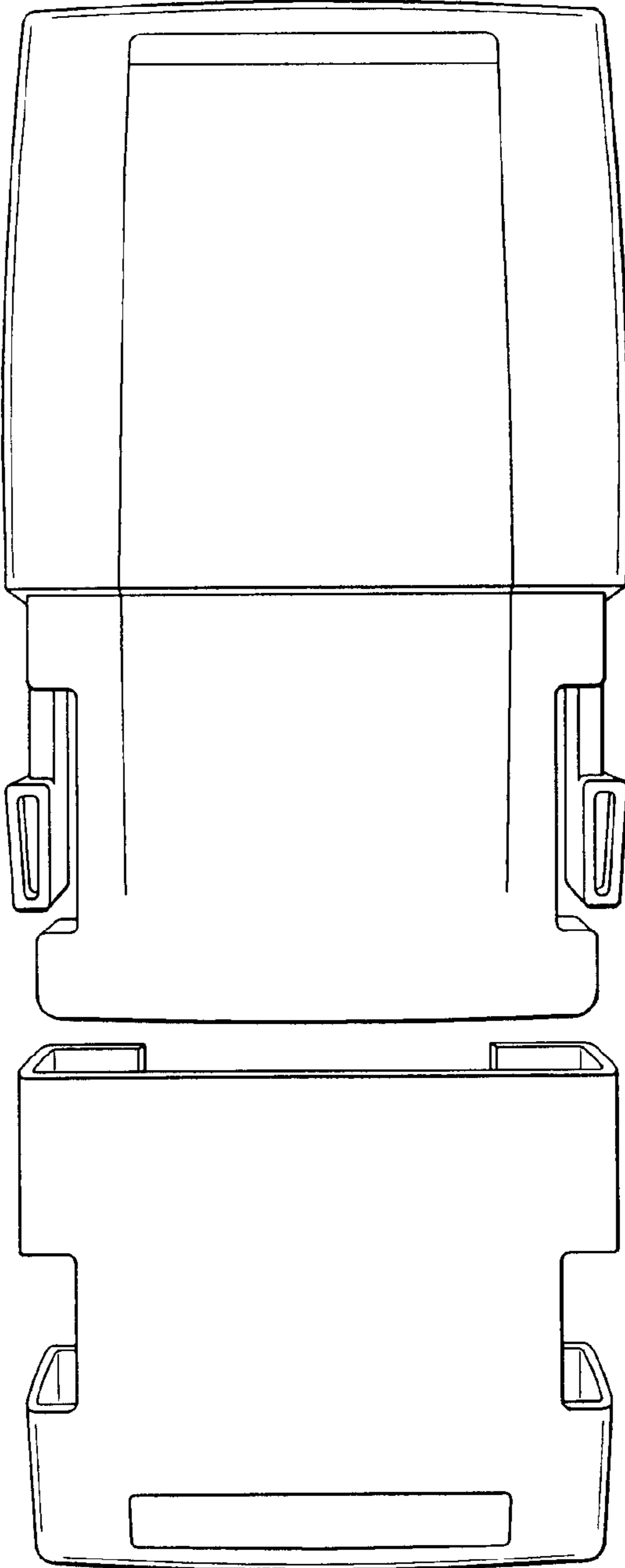


FIG. 3

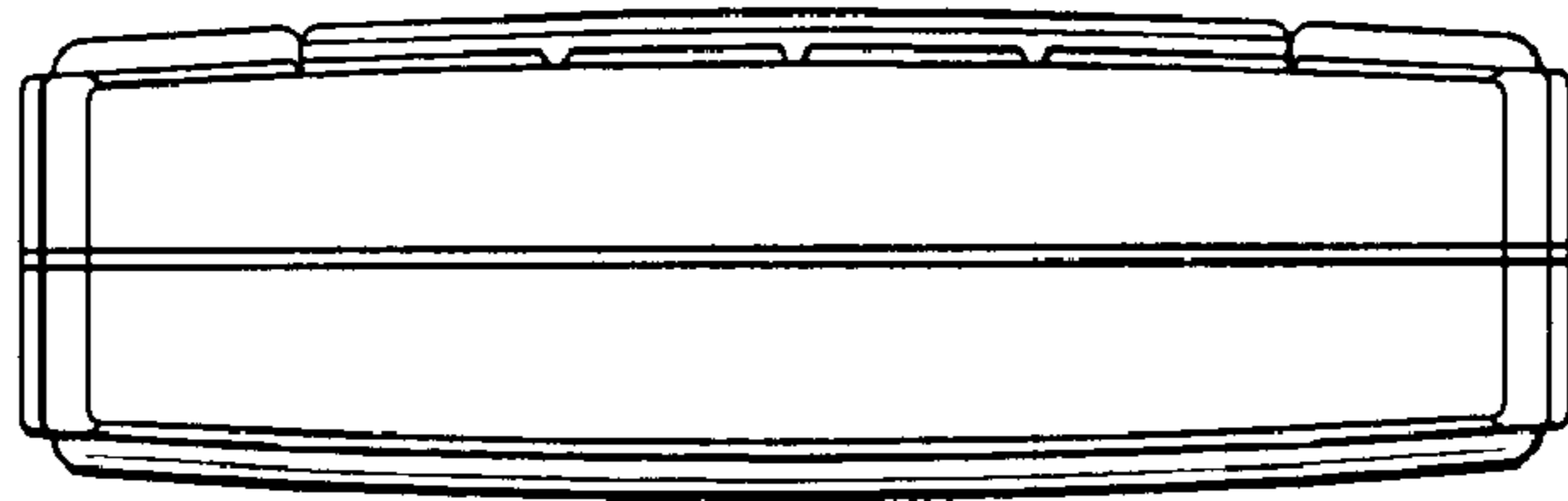


FIG. 4

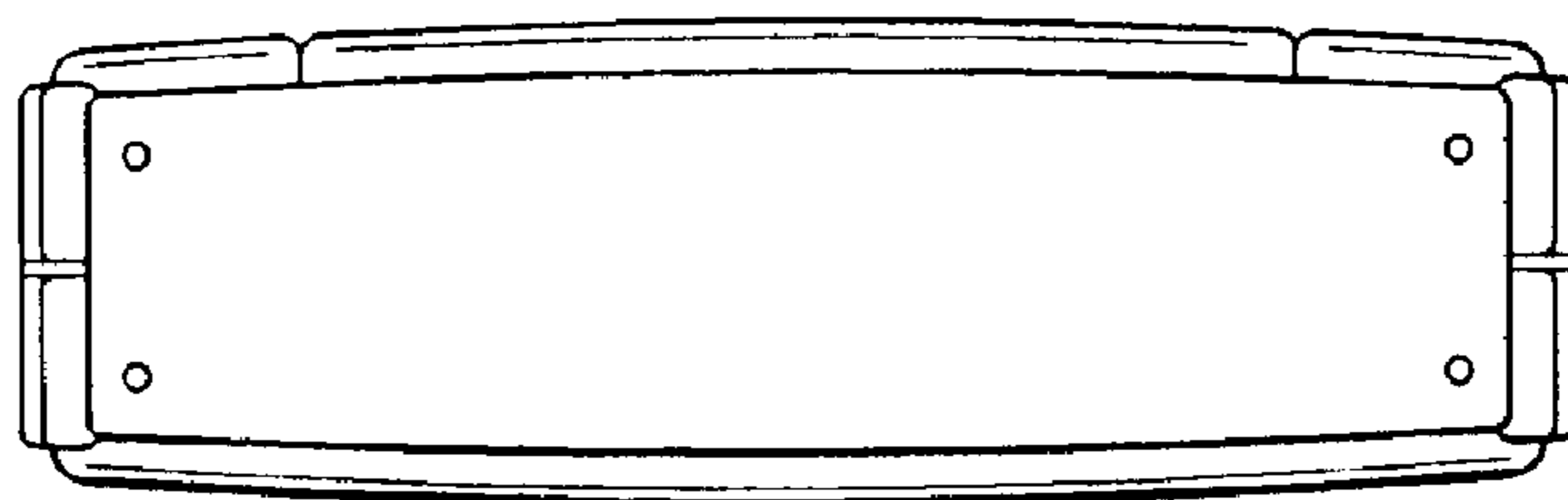


FIG. 5

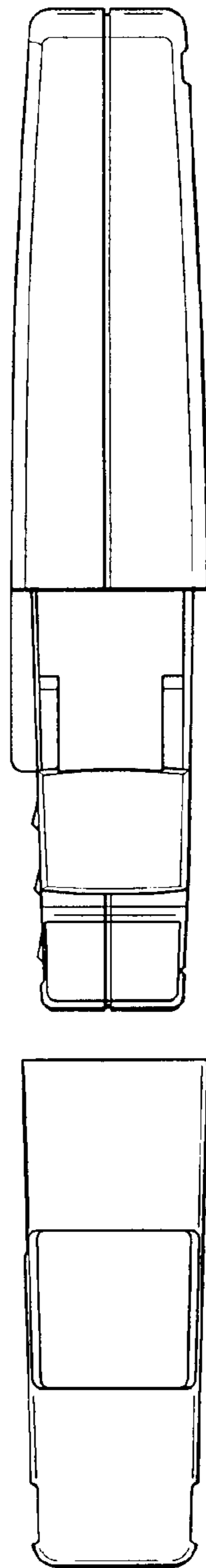


FIG. 6

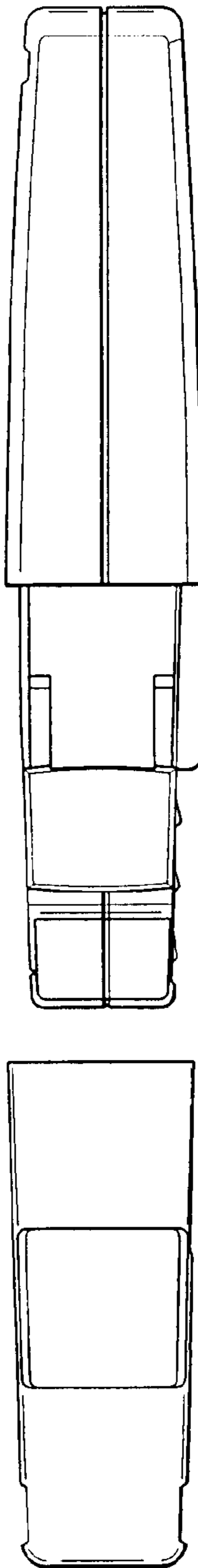


FIG. 7

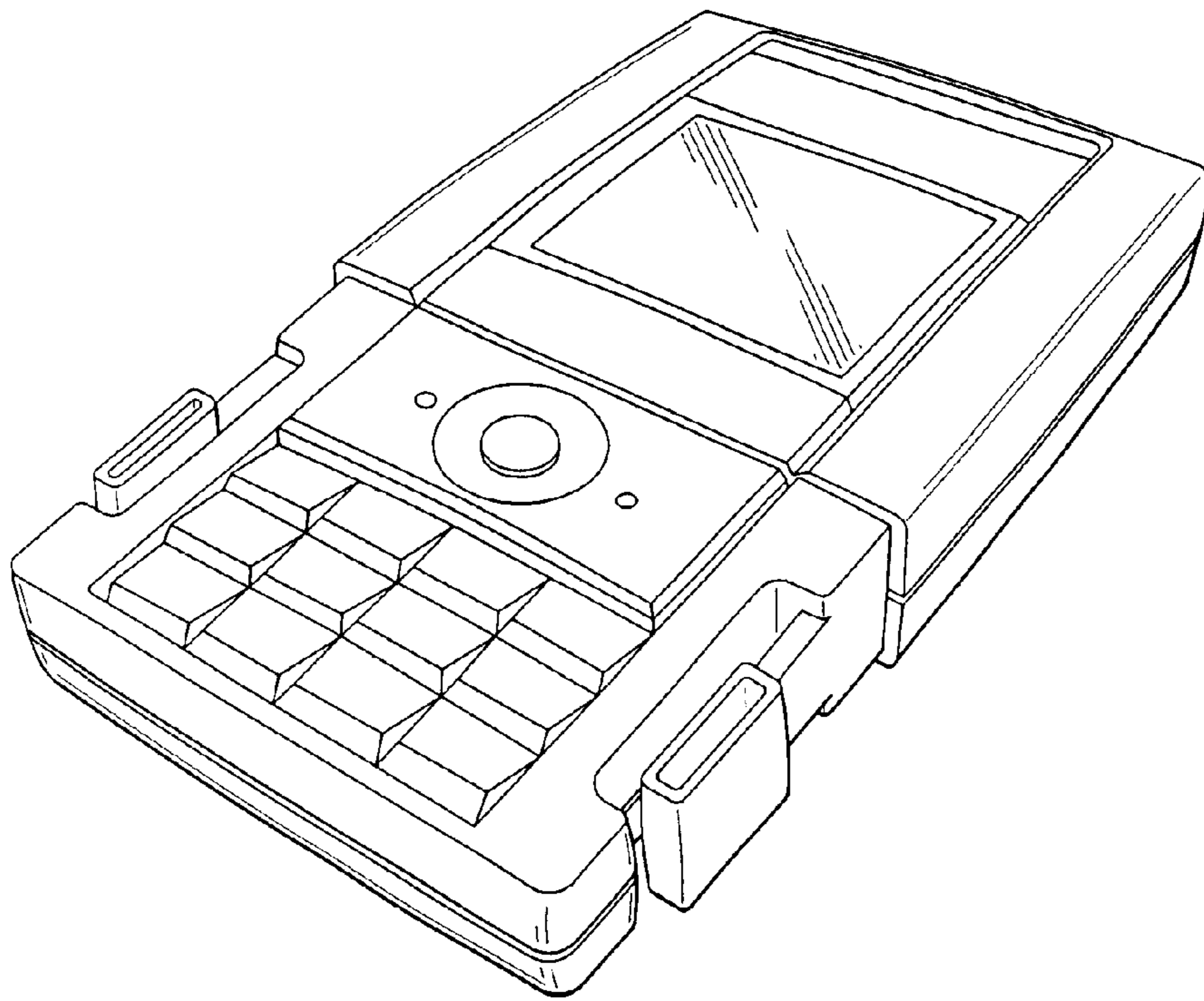


FIG. 8

