

US00D497601S1

(12) **United States Design Patent** (10) **Patent No.:** **US D497,601 S**  
**Brandis** (45) **Date of Patent:** **\*\* Oct. 26, 2004**

(54) **MOBILE PHONE**

(75) Inventor: **Michael Brandis, Nürnberg (DE)**

(73) Assignee: **Siemens Aktiengesellschaft, Munich (DE)**

(\*\*) Term: **14 Years**

(21) Appl. No.: **29/178,949**

(22) Filed: **Apr. 2, 2003**

(30) **Foreign Application Priority Data**

Oct. 2, 2002 (DE) ..... 402 08 345

(51) **LOC (7) Cl.** ..... **14-03**

(52) **U.S. Cl.** ..... **D14/138**

(58) **Field of Search** ..... D14/137, 138,  
D14/218, 147-148, 247-248, 144, 206,  
205, 223, 341-347, 156, 496; 379/433.01-433.13,  
419, 434, 428.01-428.04, 420.01-420.04,  
440; 455/550.1-90.3; D21/517, 329, 331;  
D13/168; D18/2, 7; 345/168, 169; D10/65

(56) **References Cited**

**U.S. PATENT DOCUMENTS**

- D219,028 S \* 10/1970 Miller et al. .... D14/218
- D354,489 S \* 1/1995 Patton et al. .... D14/218
- D379,009 S \* 4/1997 Osiecki ..... D14/167
- D379,456 S \* 5/1997 Osiecki ..... D14/167
- D392,336 S \* 3/1998 Liu ..... D21/329
- D399,885 S \* 10/1998 Bagley et al. .... D21/329
- D405,082 S \* 2/1999 Shibata ..... D14/156
- D406,834 S \* 3/1999 Metzcus et al. .... D14/138
- D416,895 S \* 11/1999 Fenner et al. .... D14/138
- D425,887 S \* 5/2000 Edwards et al. .... D14/138
- D436,879 S \* 1/2001 Deguchi et al. .... D10/104
- D441,185 S \* 5/2001 Shimizu et al. .... D3/207
- D442,156 S \* 5/2001 Lee ..... D14/138
- D442,934 S \* 5/2001 Volanski ..... D14/156
- D450,314 S \* 11/2001 Mattis ..... D14/218

- D450,677 S \* 11/2001 Solomita et al. .... D14/150
- D452,170 S \* 12/2001 Tomimatsu ..... D10/30
- D452,226 S \* 12/2001 Simpson et al. .... D14/167
- D452,520 S \* 12/2001 Gotham et al. .... D16/235
- D452,684 S \* 1/2002 Sedan et al. .... D14/137
- D454,869 S \* 3/2002 Becker et al. .... D14/248
- D455,411 S \* 4/2002 Wong ..... D14/137
- D457,149 S \* 5/2002 Arpe ..... D14/138
- D461,175 S \* 8/2002 Yokota ..... D14/144
- D469,367 S \* 1/2003 Mirabelli et al. .... D10/65
- D478,889 S \* 8/2003 Kulkarni ..... D14/160
- D481,692 S \* 11/2003 Husgafvel ..... D14/138
- D483,032 S \* 12/2003 Bertrand et al. .... D14/248
- D483,281 S \* 12/2003 Cobigo ..... D10/104
- D483,341 S \* 12/2003 Rausch et al. .... D14/138
- D488,391 S \* 4/2004 Kume ..... D10/32
- D490,068 S \* 5/2004 Chen ..... D14/156
- 2003/0122784 A1 \* 7/2003 Shkolnikov ..... 345/169

**FOREIGN PATENT DOCUMENTS**

WO DM/064643 \* 7/2003

\* cited by examiner

*Primary Examiner*—Jeffrey Asch

(74) *Attorney, Agent, or Firm*—Bell, Boyd & Lloyd LLC

(57) **CLAIM**

The ornamental design for a mobile phone, as shown and described.

**DESCRIPTION**

FIG. 1 is a front elevational view of a mobile phone of the claimed design.

FIG. 2 is a rear elevational view of the mobile phone of FIG. 1.

FIG. 3 is a top view of the mobile phone of FIG. 1.

FIG. 4 is a bottom view of the mobile phone of FIG. 1.

FIG. 5 is a right side view of the mobile phone of FIG. 1.

FIG. 6 is a left side view of the mobile phone of FIG. 1; and,

FIG. 7 is a perspective view of the mobile phone of FIG. 1.

**1 Claim, 7 Drawing Sheets**

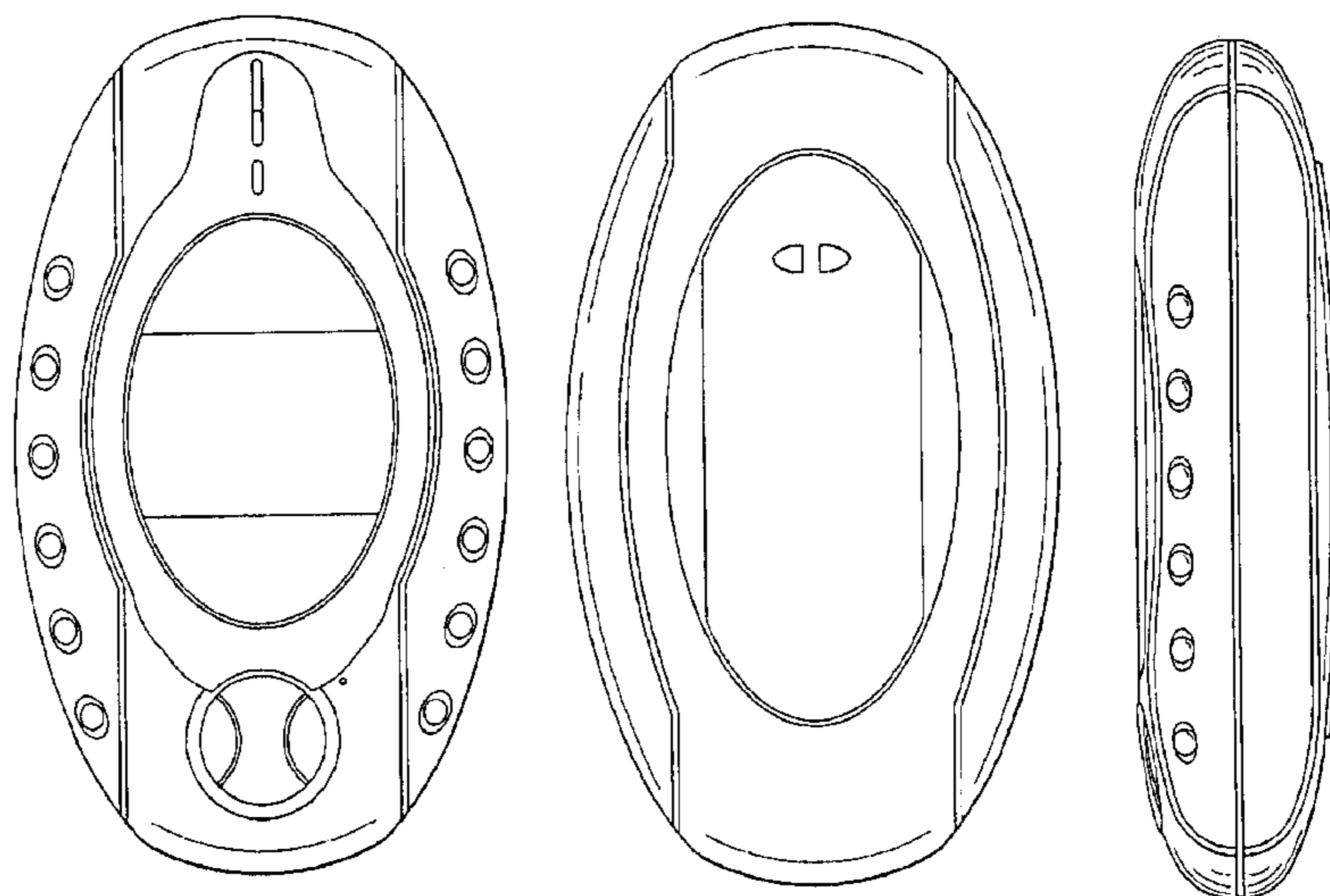


FIG. 1

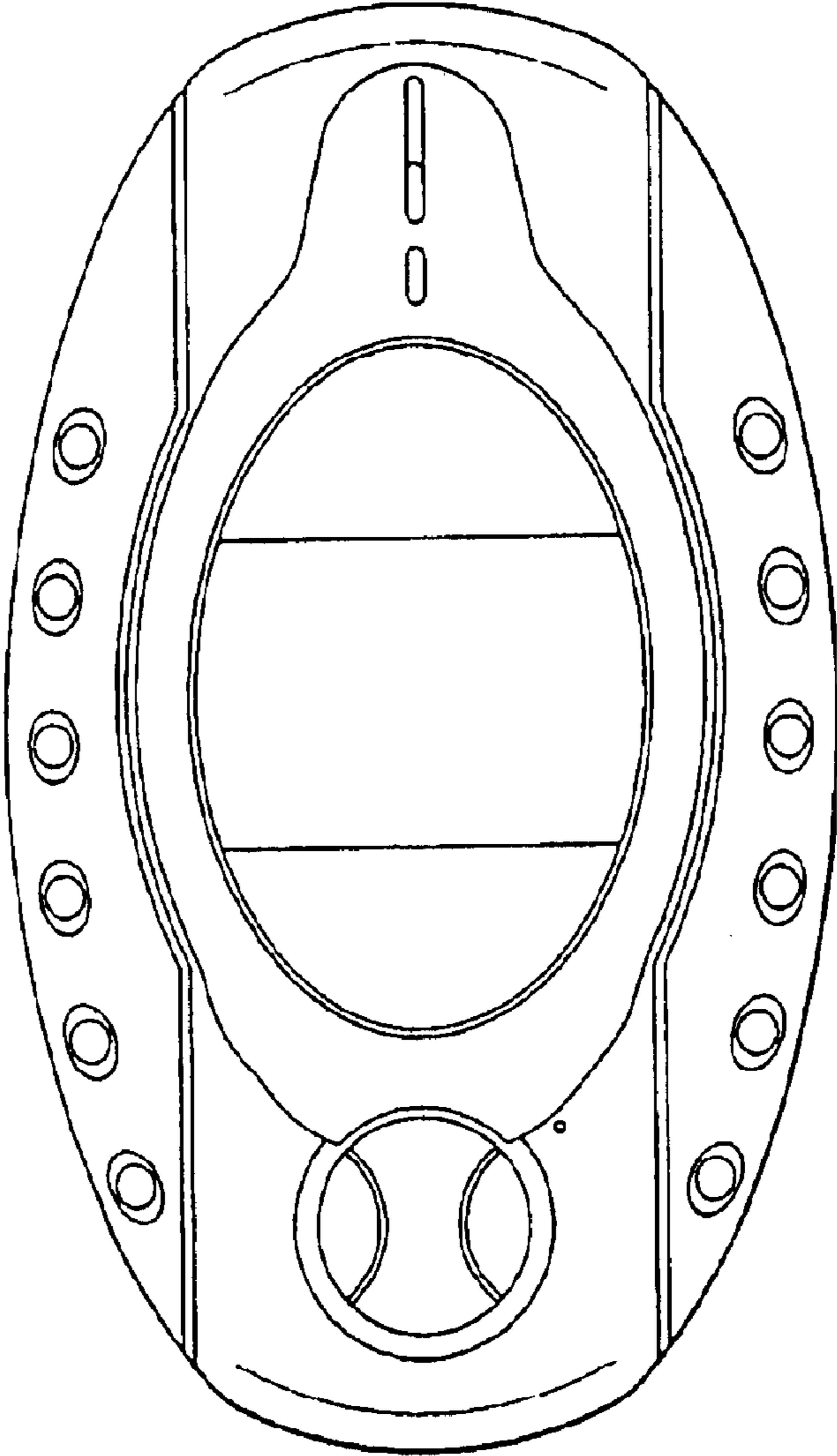


FIG. 2

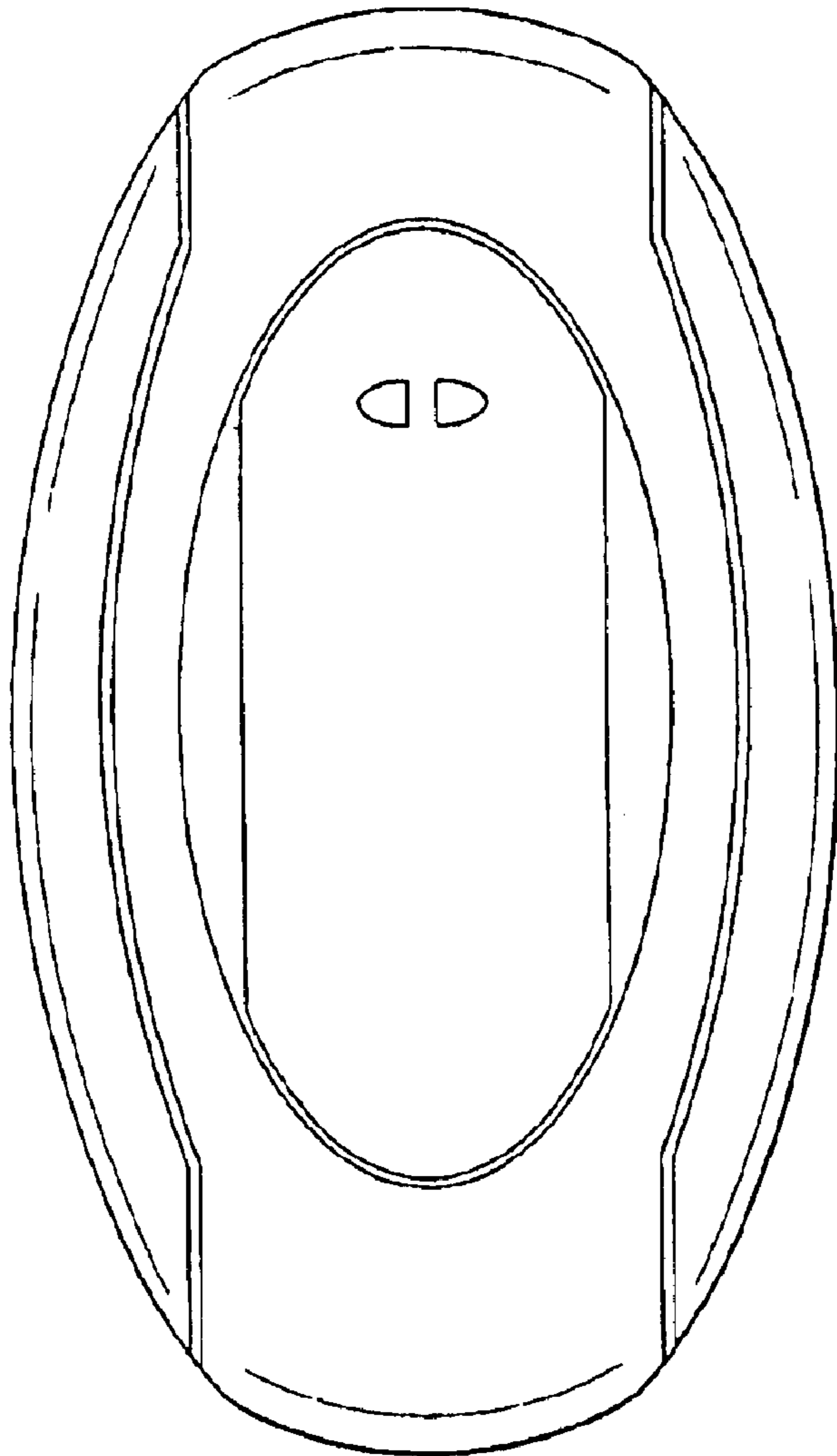


FIG. 3

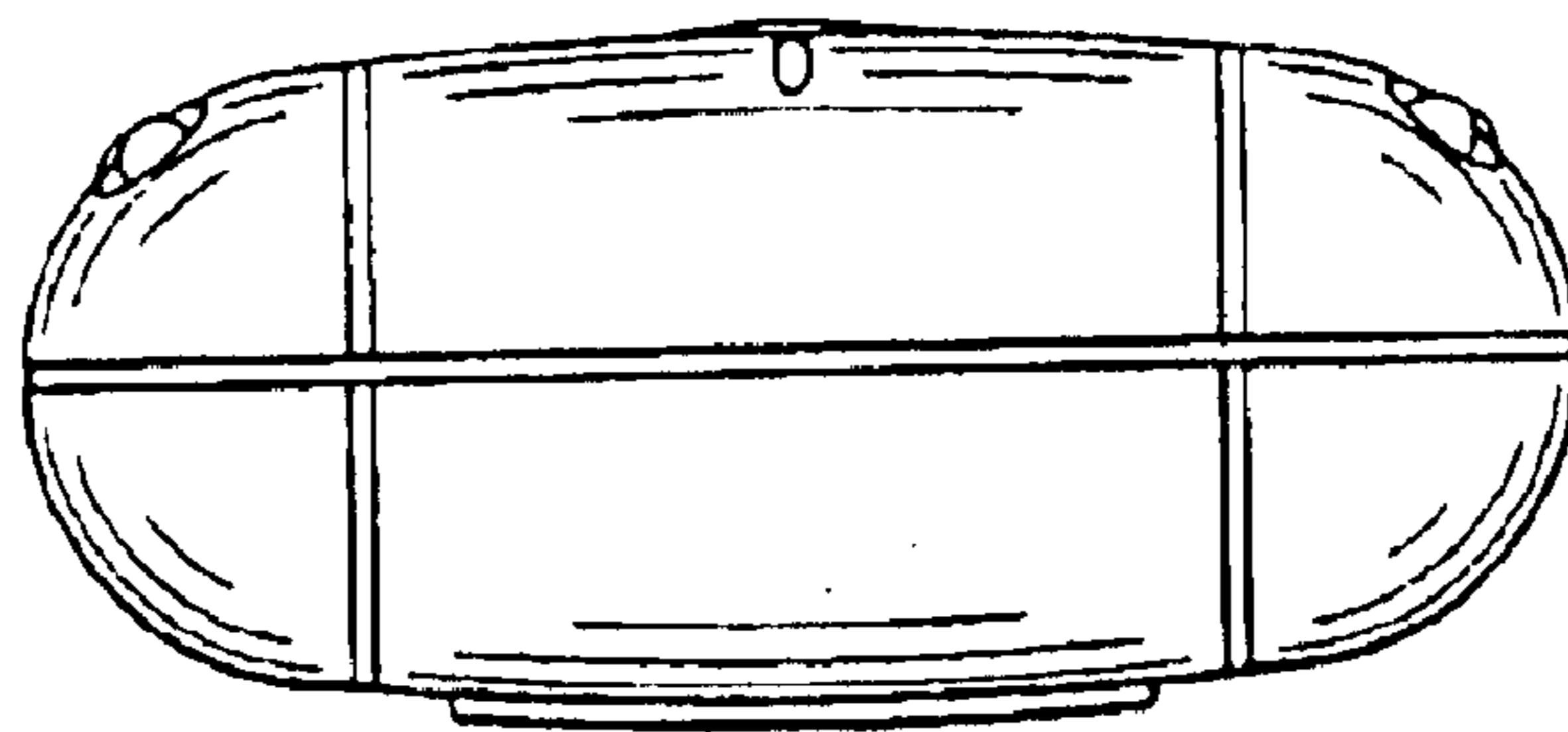


FIG. 4

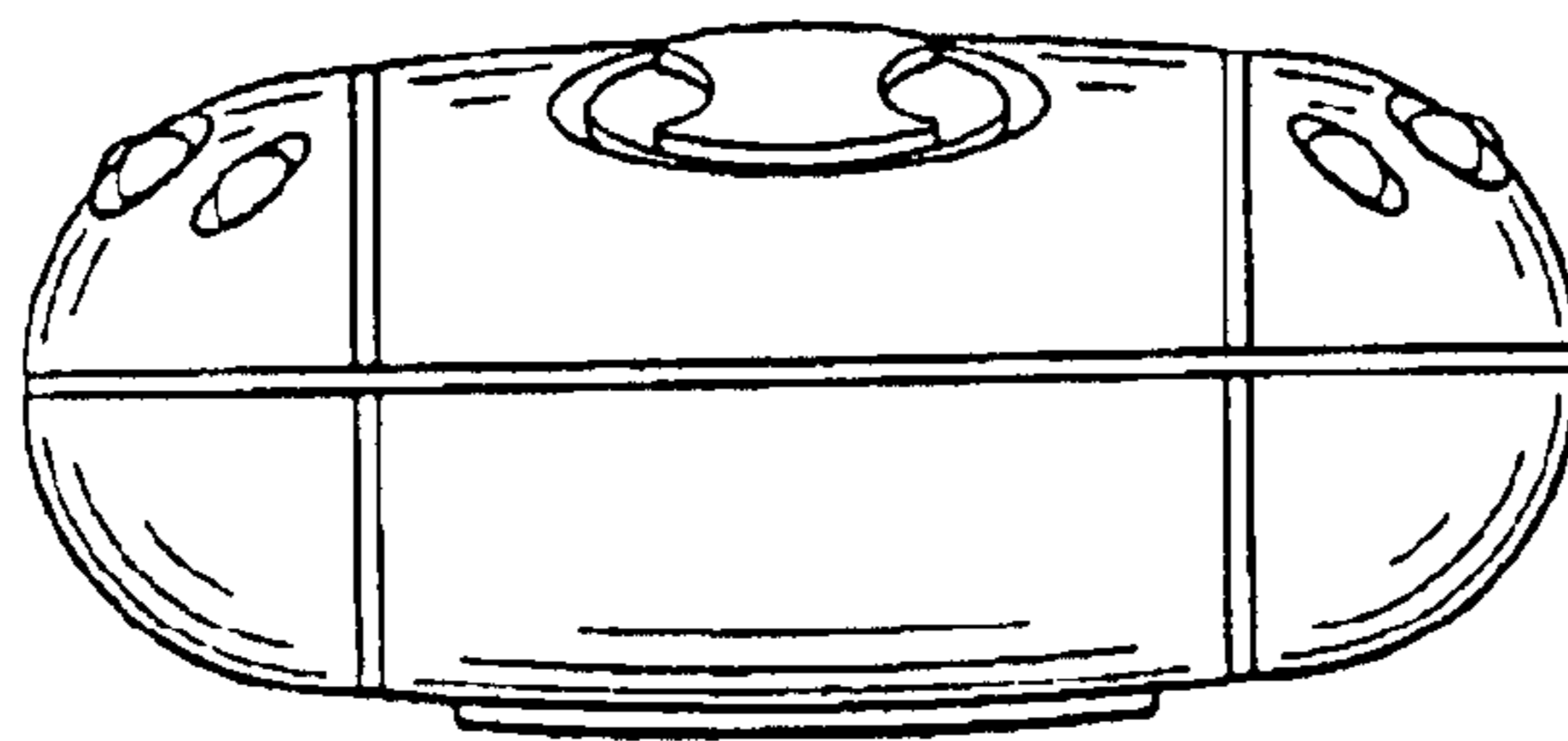


FIG. 5

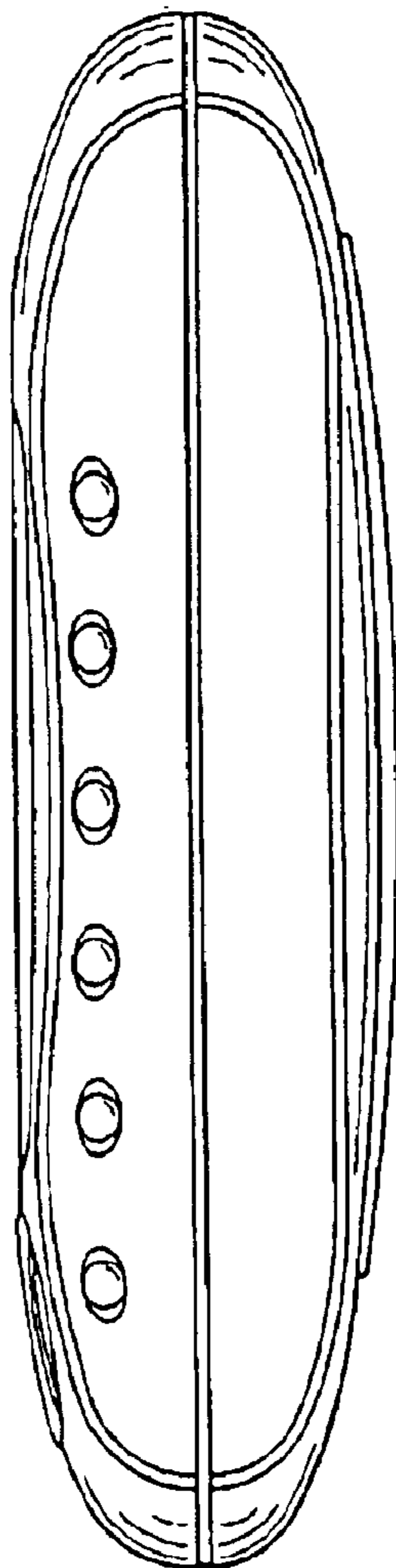


FIG. 6

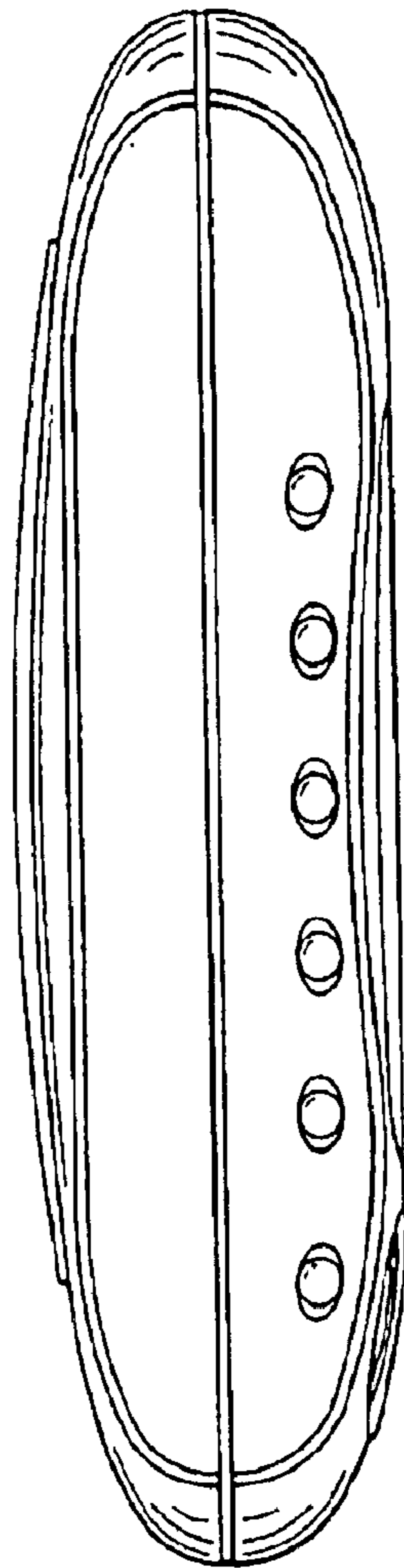


FIG. 7

