

US00D497594S1

(12) **United States Design Patent** (10) **Patent No.:** **US D497,594 S**
Hisamatsu et al. (45) **Date of Patent:** **** Oct. 26, 2004**

(54) **ELECTRICAL CONNECTOR**

(75) Inventors: **Kazuhito Hisamatsu, Akiruno (JP); Akira Kimura, Kokubunji (JP)**

(73) Assignee: **Japan Aviation Electronics Industry, Limited, Tokyo (JP)**

(**) Term: **14 Years**

(21) Appl. No.: **29/189,751**

(22) Filed: **Sep. 10, 2003**

(30) **Foreign Application Priority Data**

Mar. 11, 2003 (JP) 2003-010668

(51) **LOC (7) Cl.** **13-03**

(52) **U.S. Cl.** **D13/147**

(58) **Field of Search** D13/147; 439/62, 439/260, 329, 395, 422, 495, 499, 607

(56) **References Cited**

U.S. PATENT DOCUMENTS

5,906,504 A *	5/1999	Igarashi et al.	439/495
6,099,346 A *	8/2000	Hashiguchi et al.	439/495
6,267,623 B1 *	7/2001	Hisamatsu	439/607
D457,138 S *	5/2002	Igarashi	D13/147
D482,001 S *	11/2003	Hisamatsu et al.	D13/147

* cited by examiner

Primary Examiner—Stella Reid
Assistant Examiner—Selina Sikder

(74) *Attorney, Agent, or Firm*—Collard & Roe, P.C.

(57) **CLAIM**

The ornamental design for an electrical connector, as shown and described.

DESCRIPTION

FIG. 1 is a front, top, and right side perspective view of an electrical connector;

FIG. 2 is a front elevational view thereof;

FIG. 3 is a top plan view thereof;

FIG. 4 is a bottom plan view thereof;

FIG. 5 is a right side elevational view thereof;

FIG. 6 is a rear elevational view thereof;

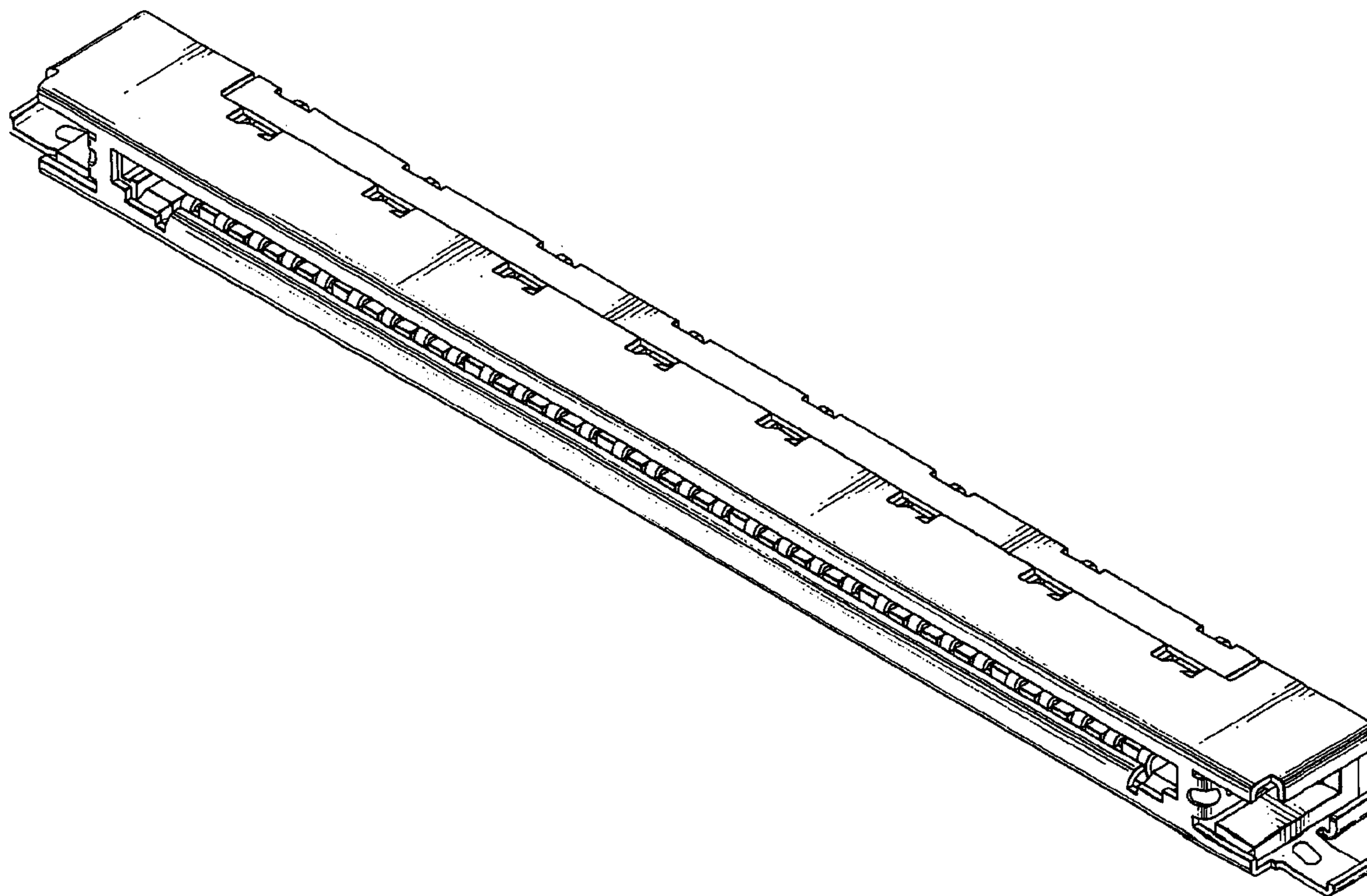
FIG. 7 is a perspective view illustrating the electrical connector mounted on a printed circuit board; and,

FIG. 8 is a rear, bottom perspective view thereof.

A left side elevational view of the electrical connector is omitted because it is presented symmetrical to the right side elevational view of FIG. 5.

The features shown in dotted lines in the drawings show environmental structure only and form no part of the invention.

1 Claim, 5 Drawing Sheets



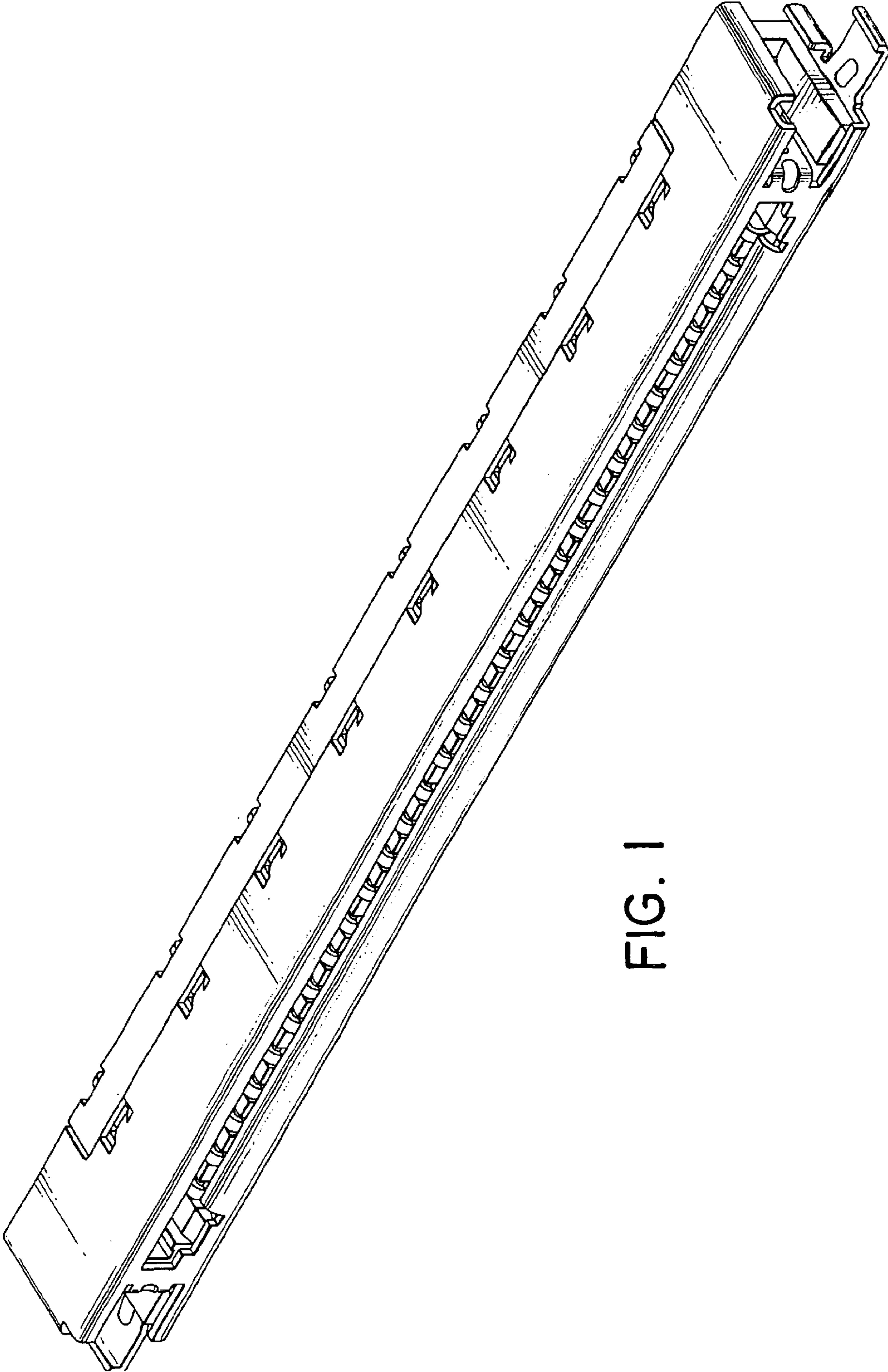


FIG. 1

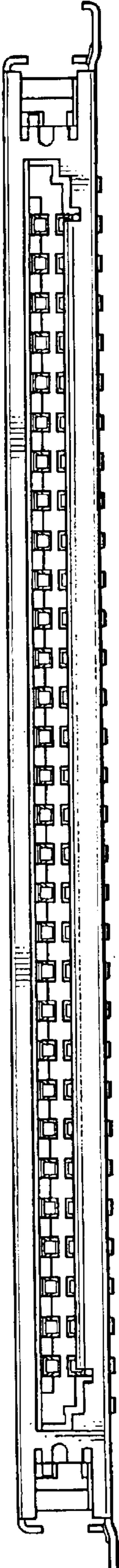


FIG. 2

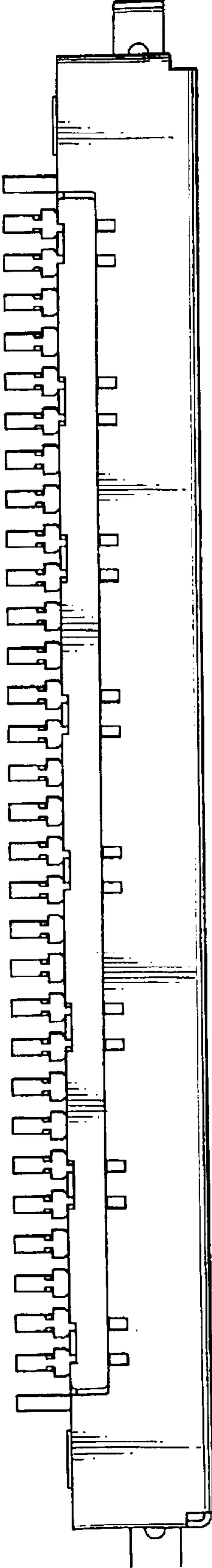


FIG. 3

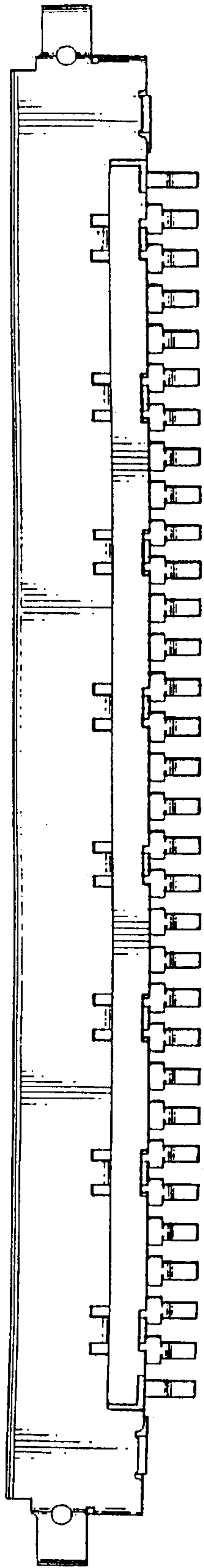


FIG. 4

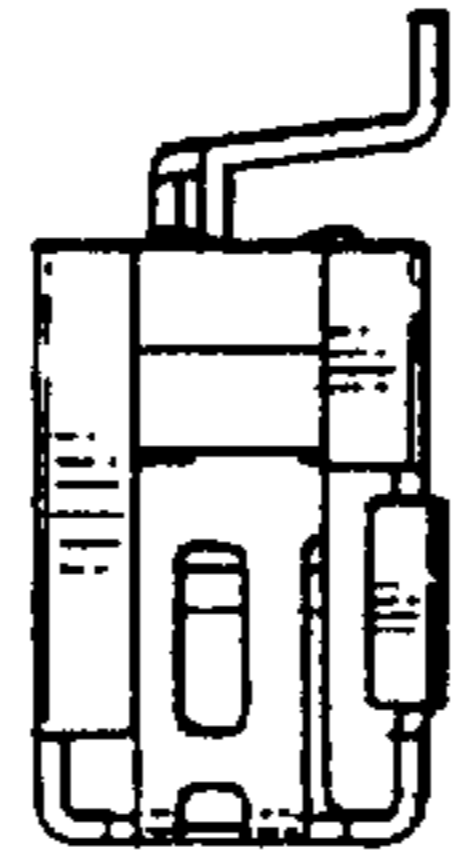


FIG. 5

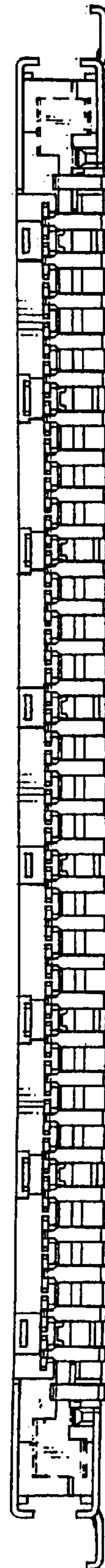


FIG. 6

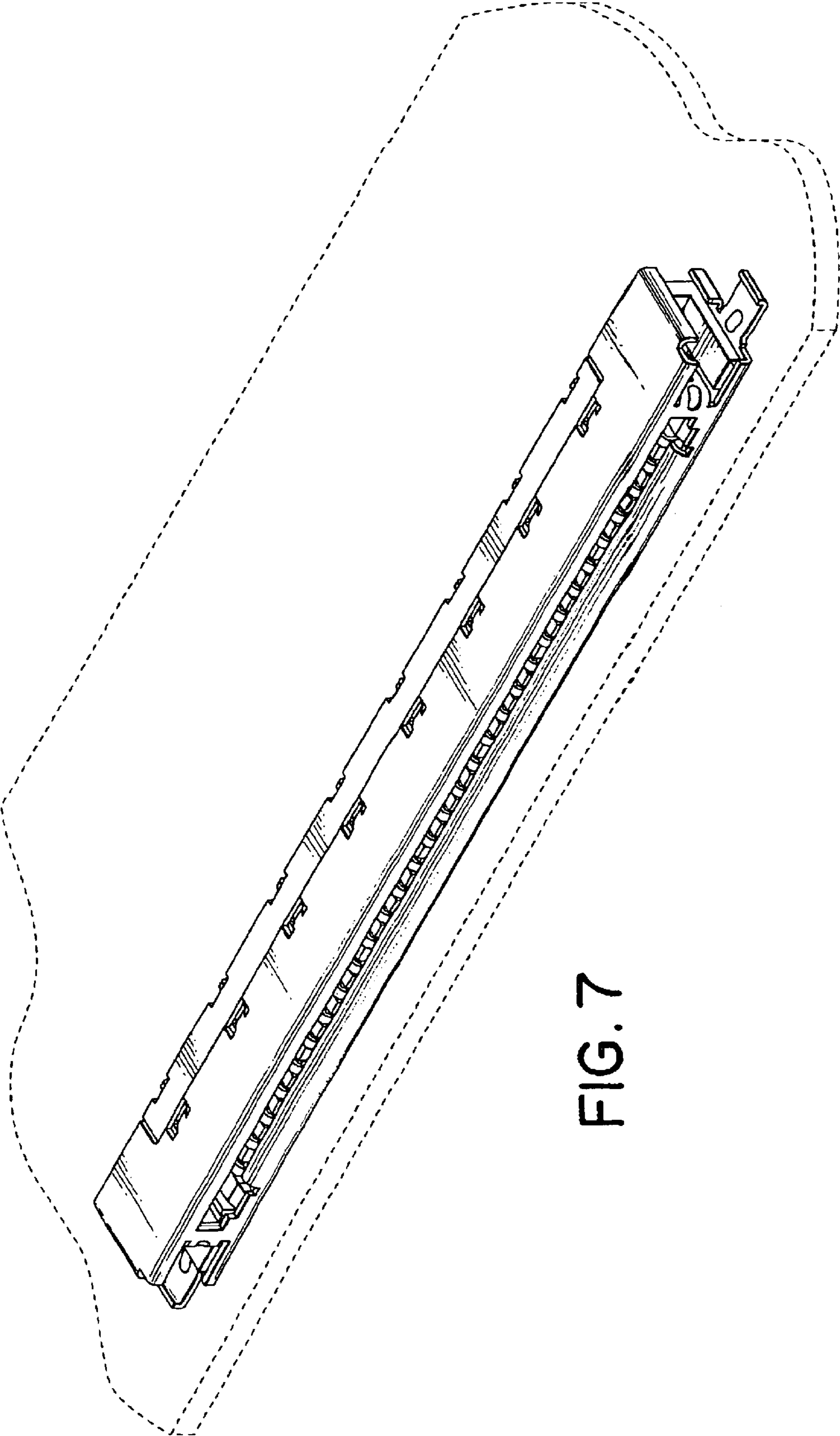


FIG. 7

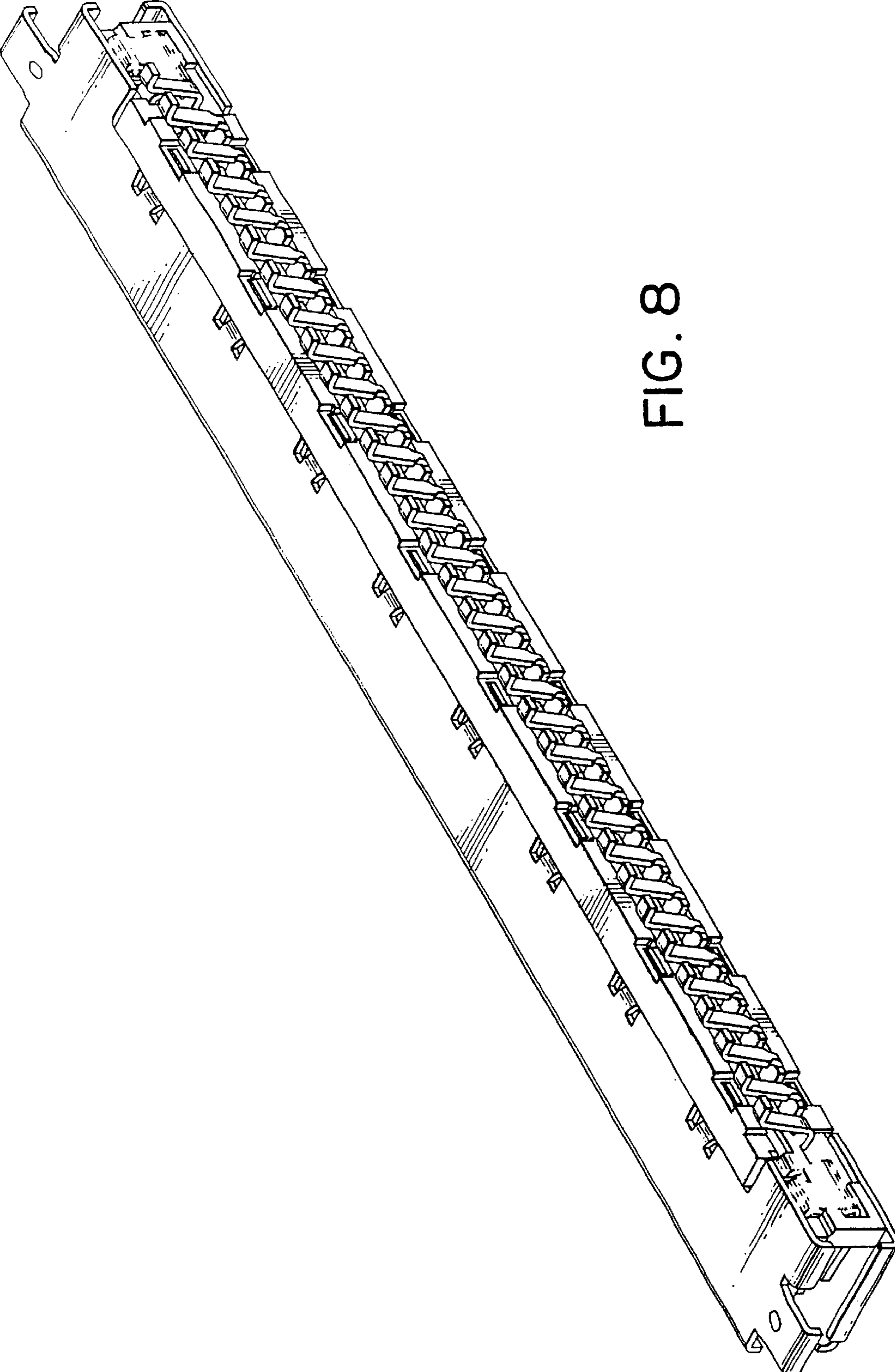


FIG. 8