



US00D497588S1

(12) **United States Design Patent**  
**Wu**

(10) **Patent No.:** **US D497,588 S**  
(45) **Date of Patent:** **\*\* Oct. 26, 2004**

(54) **LUGGAGE CARRIER FOR A MOTOR VEHICLE TRUNK**

(76) **Inventor:** **Jung-Cheng Wu**, No. 8, Lane 243, Sec. 2, Chong Hwa E. Rd., Tainan (TW)

(\*\*) **Term:** **14 Years**

(21) **Appl. No.:** **29/200,872**

(22) **Filed:** **Mar. 8, 2004**

(51) **LOC (7) Cl.** ..... **12-16**

(52) **U.S. Cl.** ..... **D12/412; D25/64**

(58) **Field of Search** ..... D12/406, 412, D12/414, 414.1; 293/37.1, 3, 100; 224/309-310, 315-316, 323-329; 182/201-207, 107-109; D6/552; D3/304-306; 280/760-762, 848, 727, 769; D25/62, 64, 68

(56) **References Cited**

**U.S. PATENT DOCUMENTS**

D182,705 S	*	5/1958	Binding	.....	D12/412
D216,256 S	*	12/1969	Hutchins	.....	D12/412
D246,238 S	*	11/1977	Boas	.....	D12/412
D347,069 S	*	5/1994	Lu	.....	D25/64
5,335,754 A	*	8/1994	Gibson	.....	182/204
D374,209 S	*	10/1996	Lundgren	.....	D12/412
D392,744 S	*	3/1998	Staal	.....	D25/64

D413,562 S	*	9/1999	Van Dusen et al.	.....	D12/412
D434,718 S	*	12/2000	Kreisler	.....	D12/412
D435,510 S	*	12/2000	Quidort	.....	D12/412
D454,329 S	*	3/2002	Buseman	.....	D12/412

\* cited by examiner

*Primary Examiner*—Stacia Cadmus

(74) *Attorney, Agent, or Firm*—Rosenberg, Klein & Lee

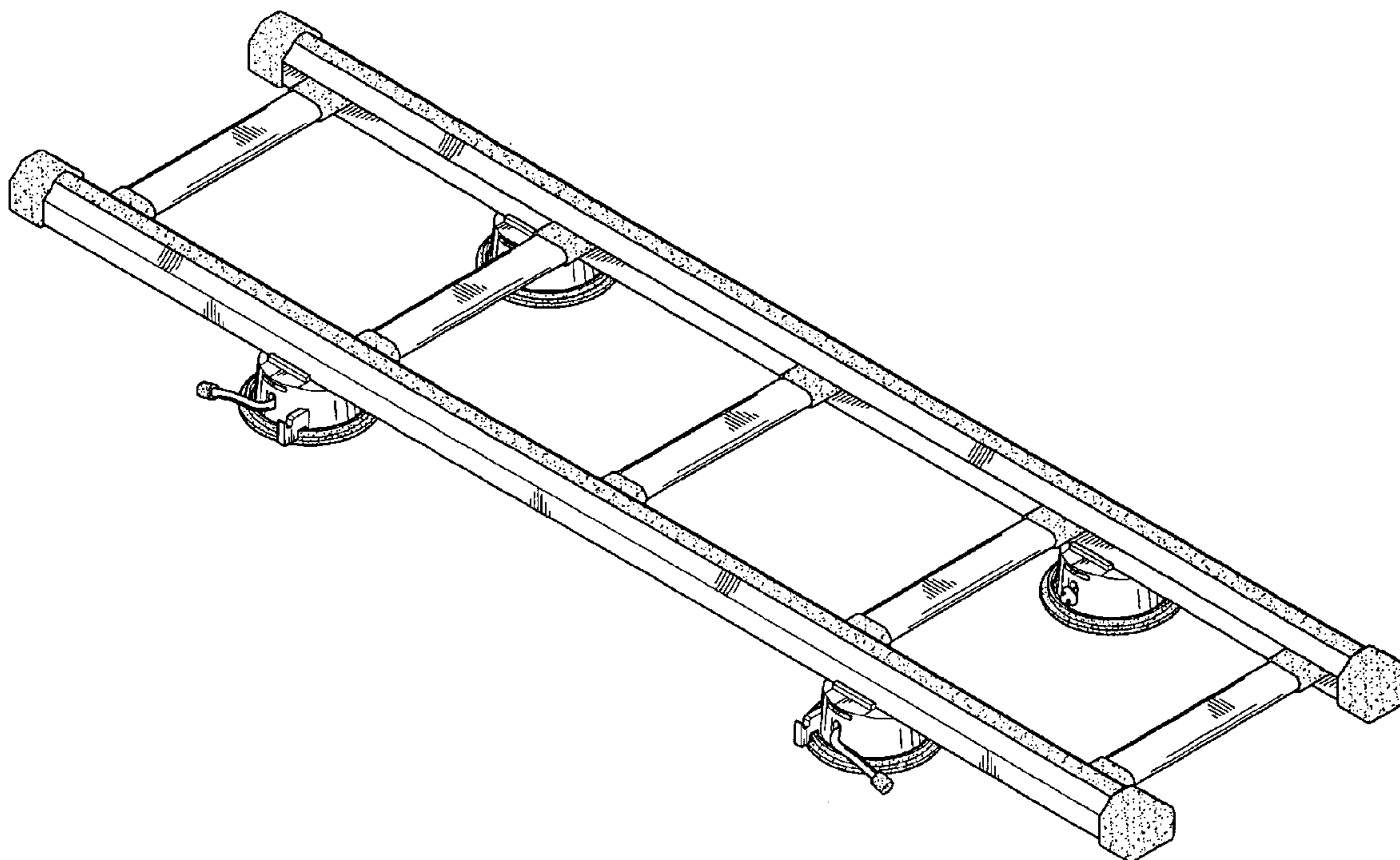
(57) **CLAIM**

The ornamental design for a luggage carrier for a motor vehicle trunk, as shown and described.

**DESCRIPTION**

FIG. 1 is a perspective view of a luggage carrier for a motor vehicle trunk showing my present design;  
 FIG. 2 is a front view thereof;  
 FIG. 3 is a rear view thereof;  
 FIG. 4 is a left view thereof;  
 FIG. 5 is a right view thereof;  
 FIG. 6 is a top plan view thereof;  
 FIG. 7 is a bottom plan view; and,  
 FIG. 8 is a reduced perspective view showing that the present design is mounted on a motor vehicle trunk.  
 The broken line showing of environment is for illustrative purposes only and forms no part of the claimed design.

**1 Claim, 7 Drawing Sheets**



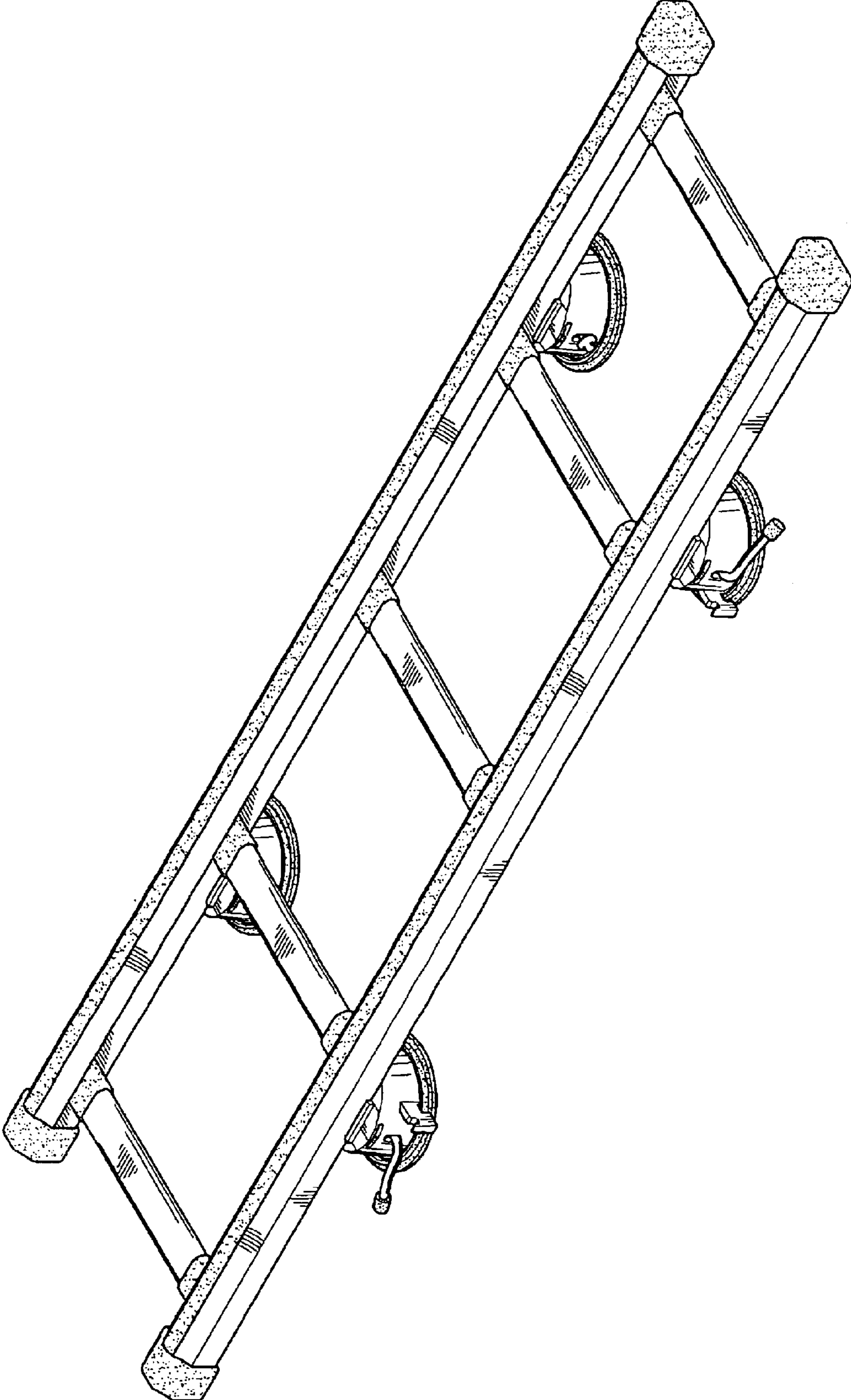


FIG. 1



FIG. 2

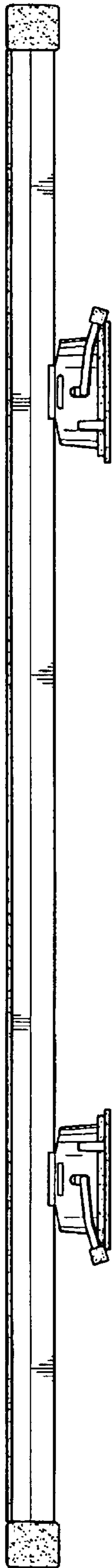


FIG. 3

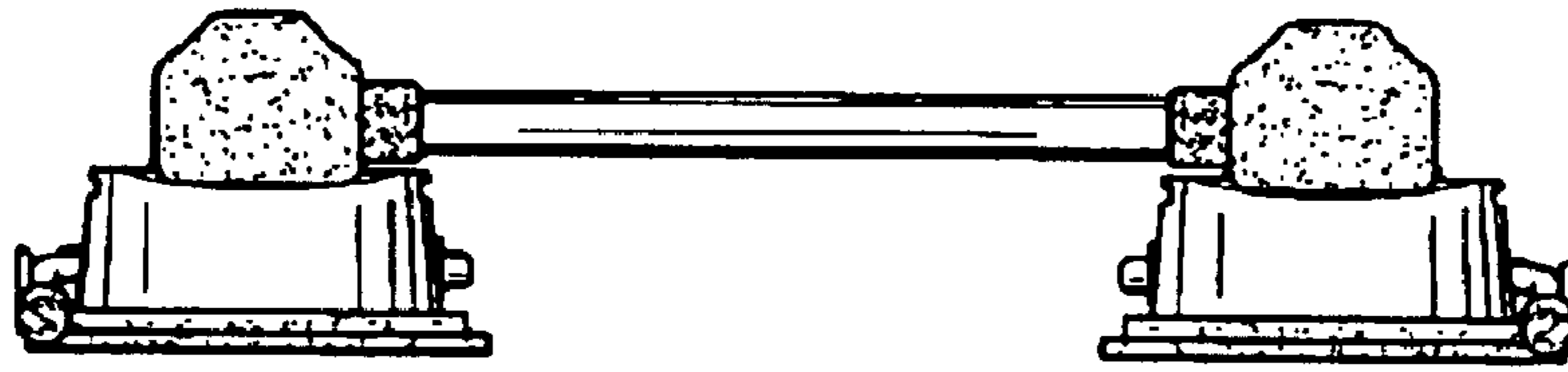


FIG. 4

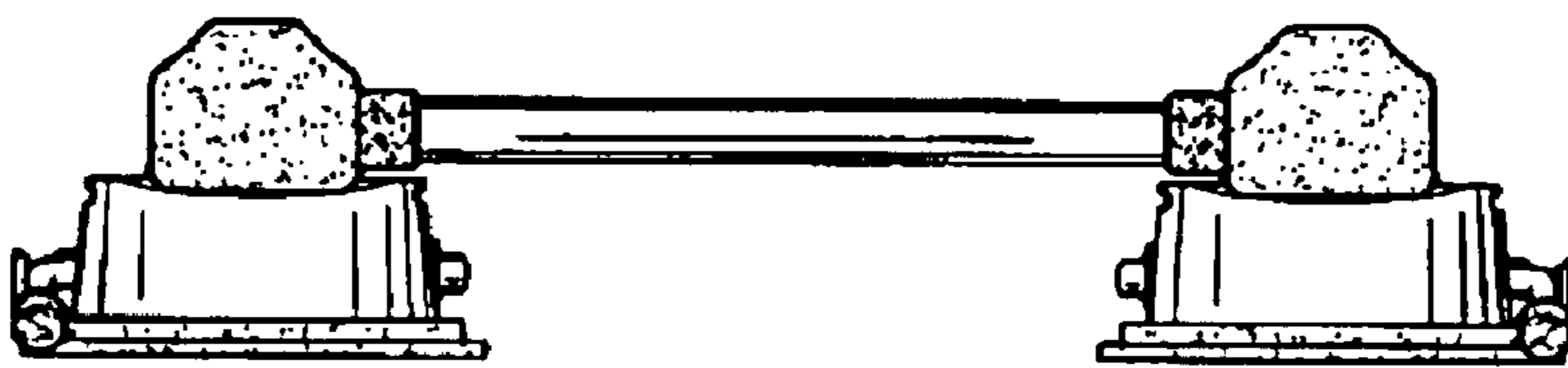


FIG. 5

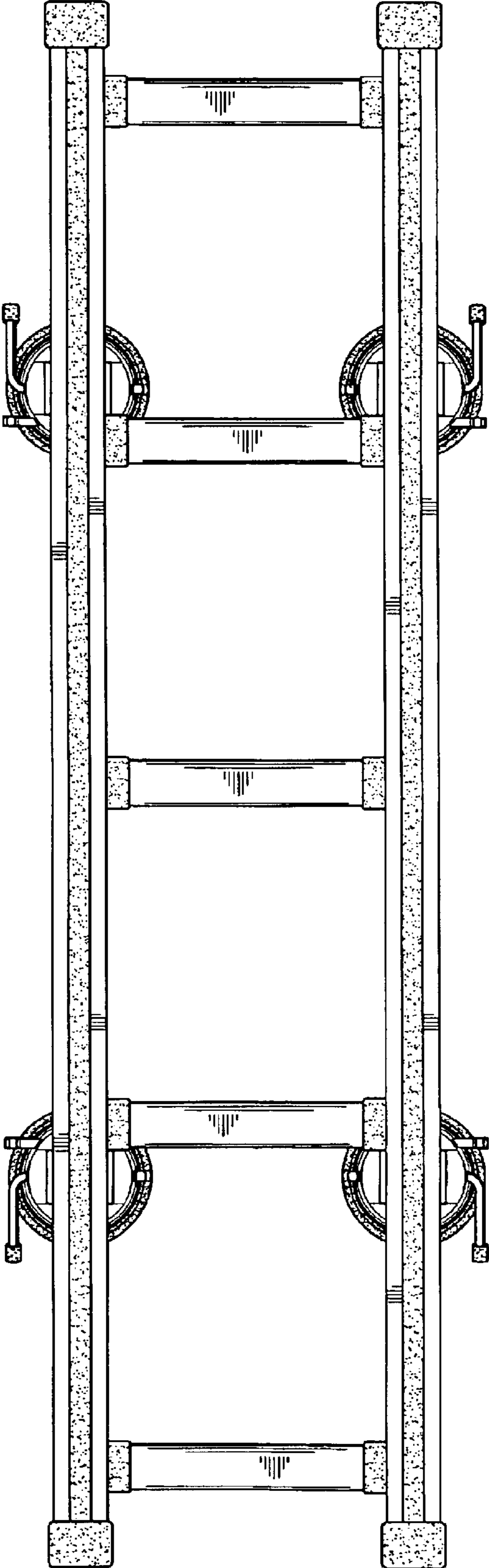


FIG. 6

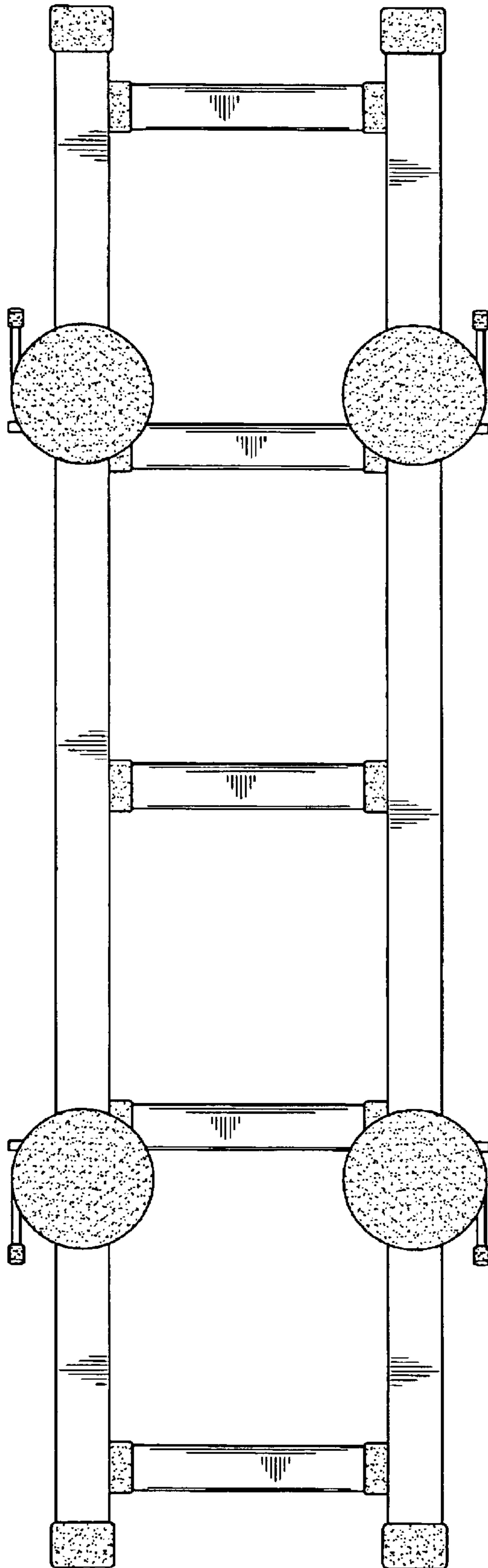


FIG. 7

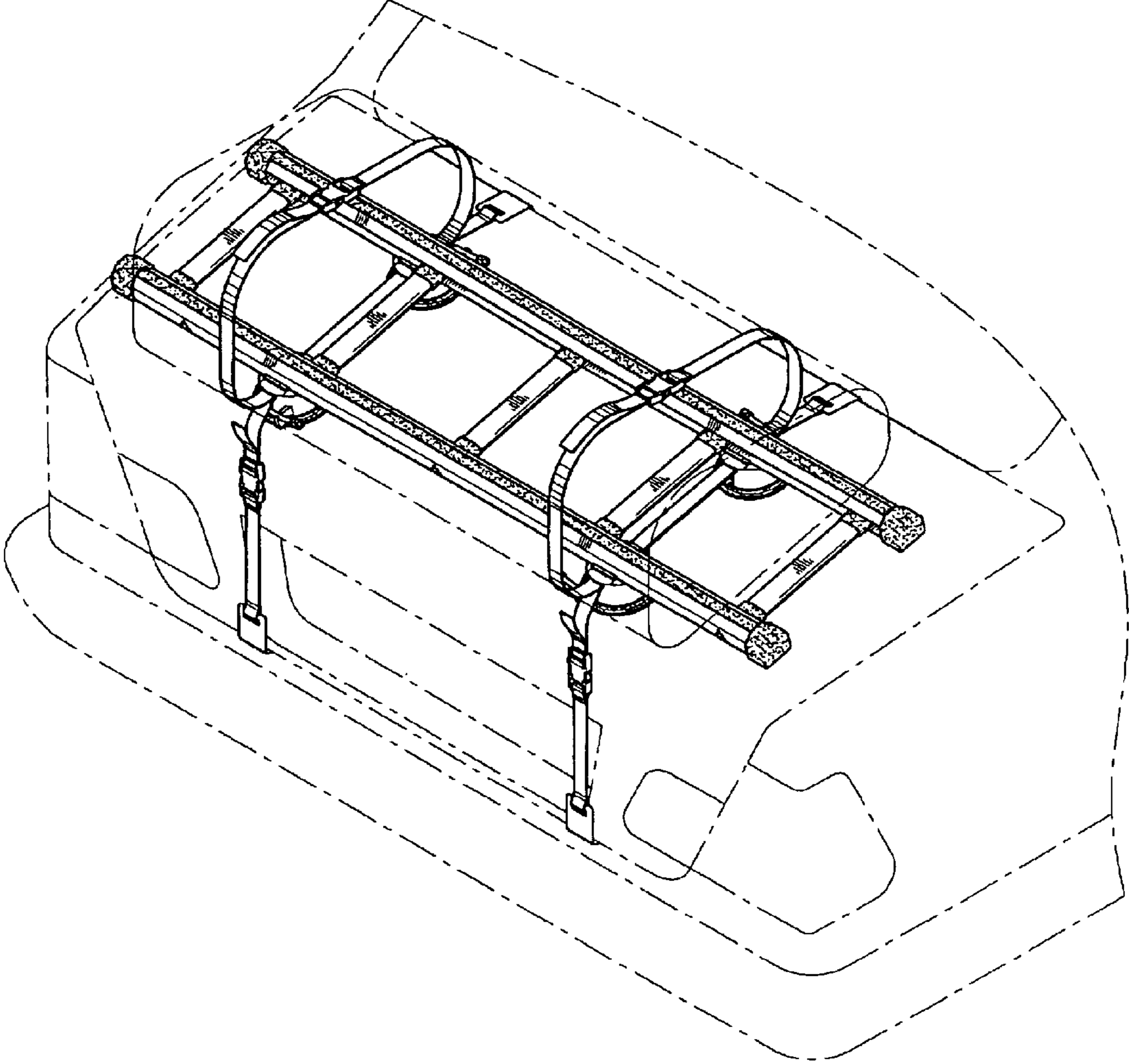


FIG . 8