

US00D497587S1

(12) **United States Design Patent**
Tyrer

(10) **Patent No.:** **US D497,587 S**
(45) **Date of Patent:** **** Oct. 26, 2004**

(54) **GOLF CART FOLDED CANOPY COVER**

(76) **Inventor:** **Stephen Edward Tyrer**, 147 Taft Crescent, Centerport, NY (US) 11721

(**) **Term:** **14 Years**

(21) **Appl. No.:** **29/186,125**

(22) **Filed:** **Jul. 9, 2003**

6,216,714	B1	4/2001	Tucker	
6,220,647	B1	4/2001	Winkler	
6,227,217	B1	5/2001	Peta	
6,227,603	B1	5/2001	Brock	
6,416,109	B1 *	7/2002	Tyrer et al. 296/100.11
6,471,281	B1	10/2002	Tyrer et al.	
D469,734	S	2/2003	Tyrer et al.	
2002/0027373	A1	3/2002	Winkler	
2002/0145302	A1	10/2002	Winkler	

Related U.S. Application Data

(63) Continuation-in-part of application No. 10/107,996, filed on Mar. 27, 2002.

(51) **LOC (7) Cl.** **12-02**

(52) **U.S. Cl.** **D12/401**

(58) **Field of Search** D12/409, 16, 190, D12/223; 135/88, 88.09; 296/77.1, 83, 100.14, 138, 141, 100.16, 101.11; 280/DIG. 5, 32.7, 208

(56) **References Cited**

U.S. PATENT DOCUMENTS

D109,106	S	*	3/1938	Scott	D12/190
4,830,037	A		5/1989	Held		
5,069,481	A	*	12/1991	Strange	280/769
5,190,340	A		3/1993	Nuscher		
5,588,690	A		12/1996	Showalter		
5,688,018	A		11/1997	Simpson		
5,741,041	A		4/1998	Sullivan		
6,007,134	A	*	12/1999	Weston	296/83
6,068,325	A	*	5/2000	Hughes	296/100.16
D439,560	S	*	3/2001	Atwell et al.	D12/401

OTHER PUBLICATIONS

U.S. patent application Ser. No. 10/107,996, Tyrer, no date available.

U.S. patent application Ser. No. 10/176,945, Tyrer, no date available.

* cited by examiner

Primary Examiner—Nelson C. Holtje

(74) *Attorney, Agent, or Firm*—Michael T. York

(57) **CLAIM**

The ornamental design for a golf cart folded canopy cover, as shown and described.

DESCRIPTION

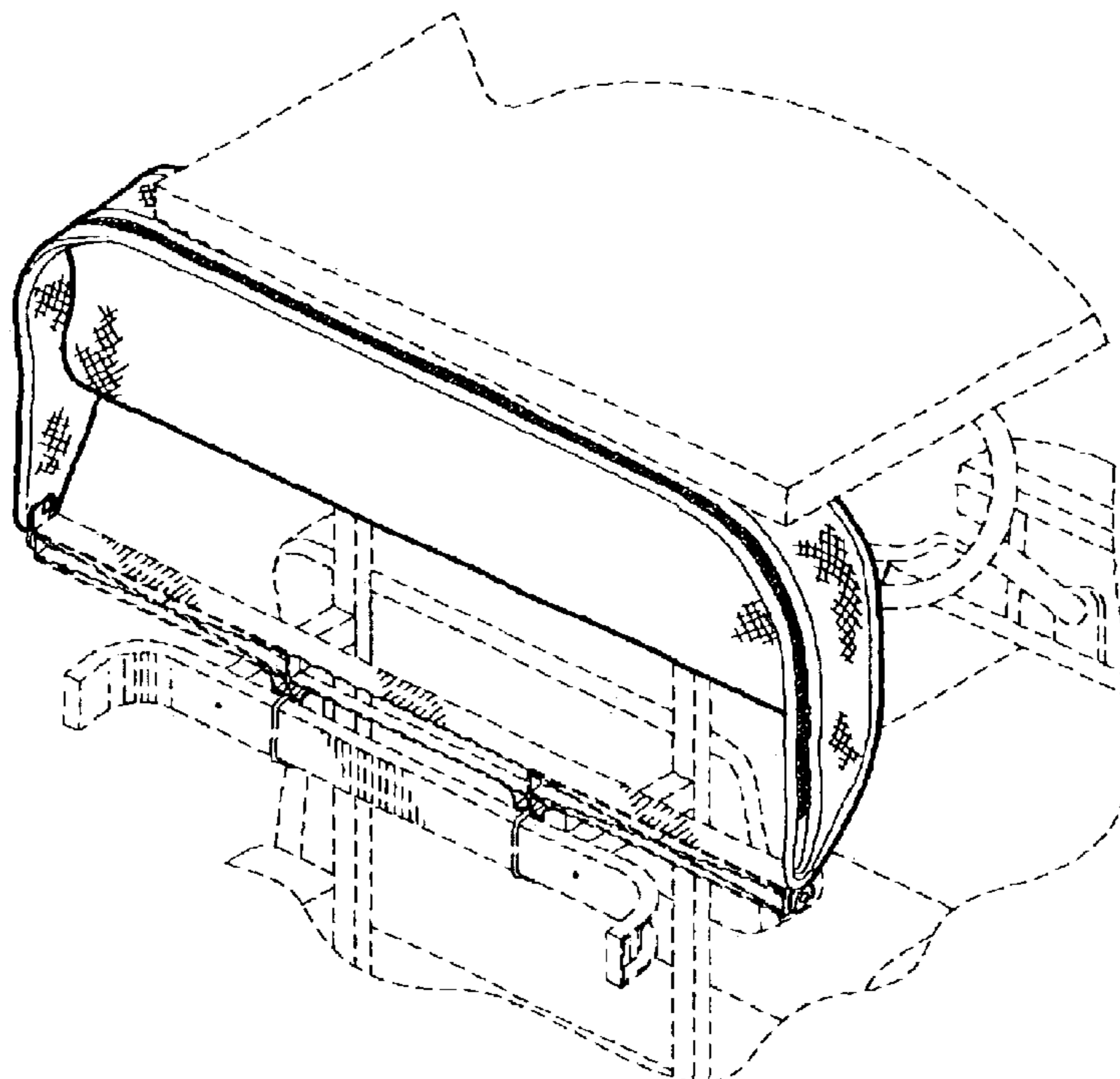
FIG. 1 is a perspective view of a golf cart folded canopy cover;

FIG. 2 is a side view thereof, and the opposite side is a mirror image thereof;

FIG. 3 is a rear view thereof; and,

FIG. 4 is a top view thereof.

1 Claim, 2 Drawing Sheets



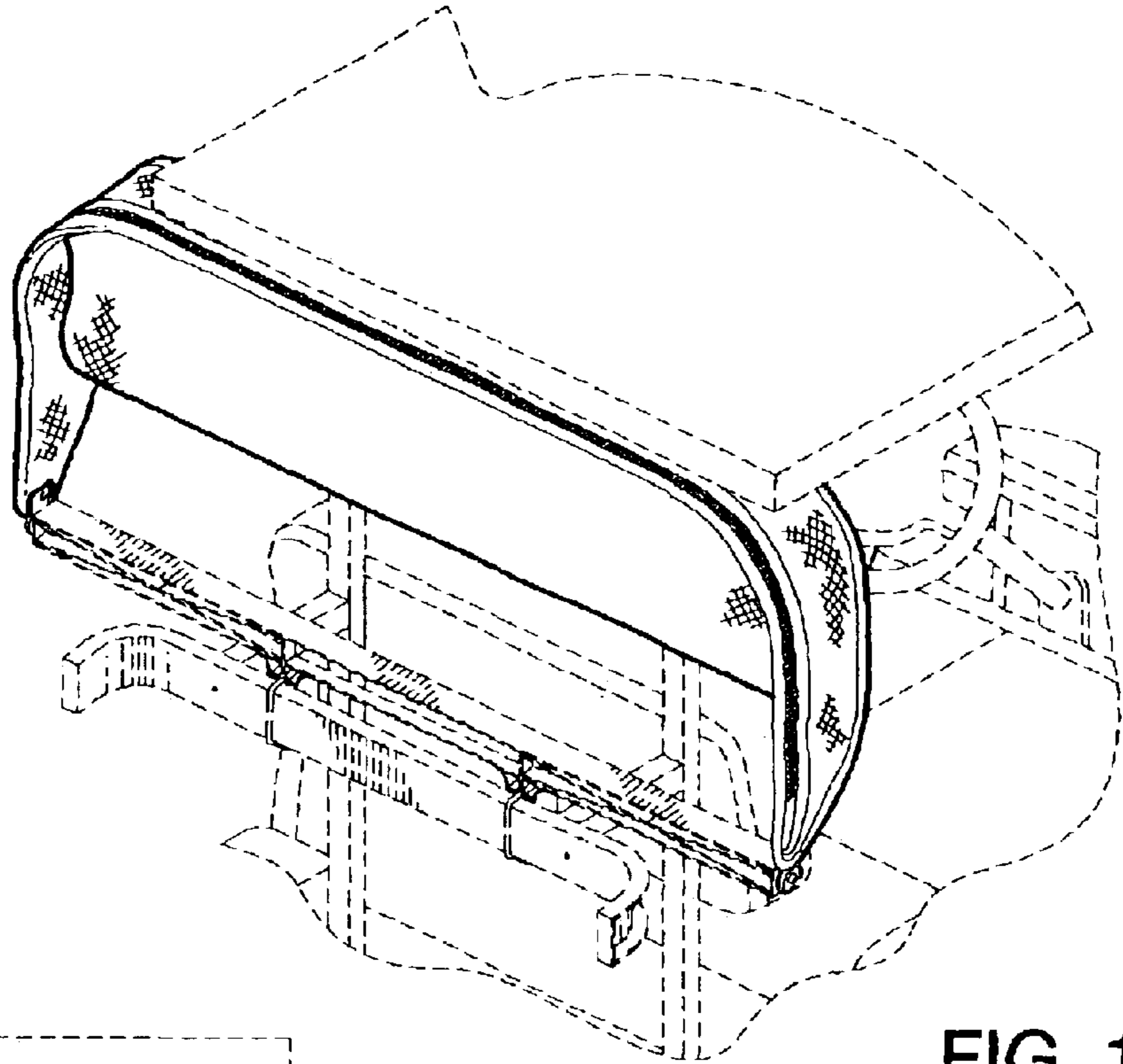


FIG. 1

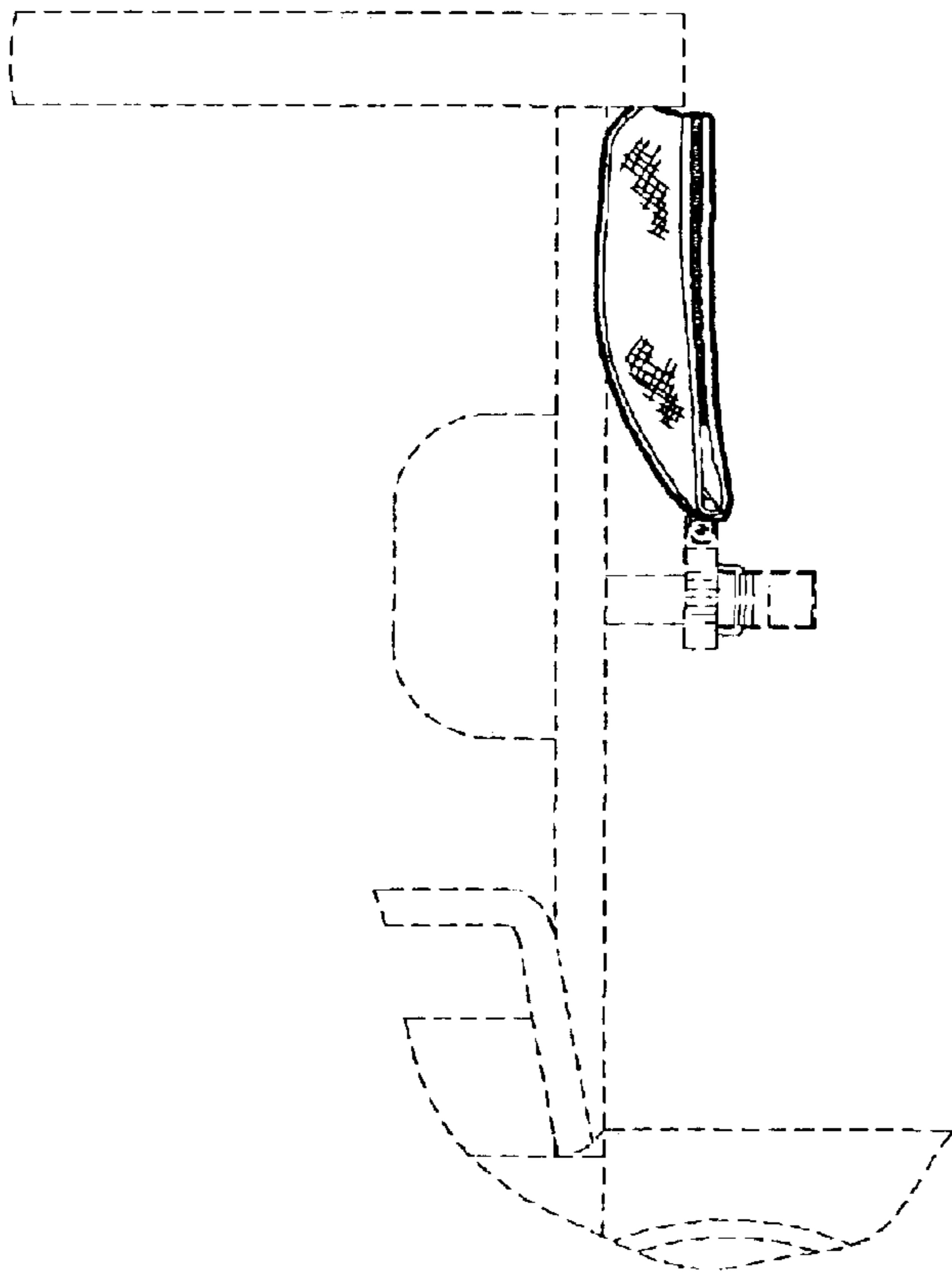


FIG. 2

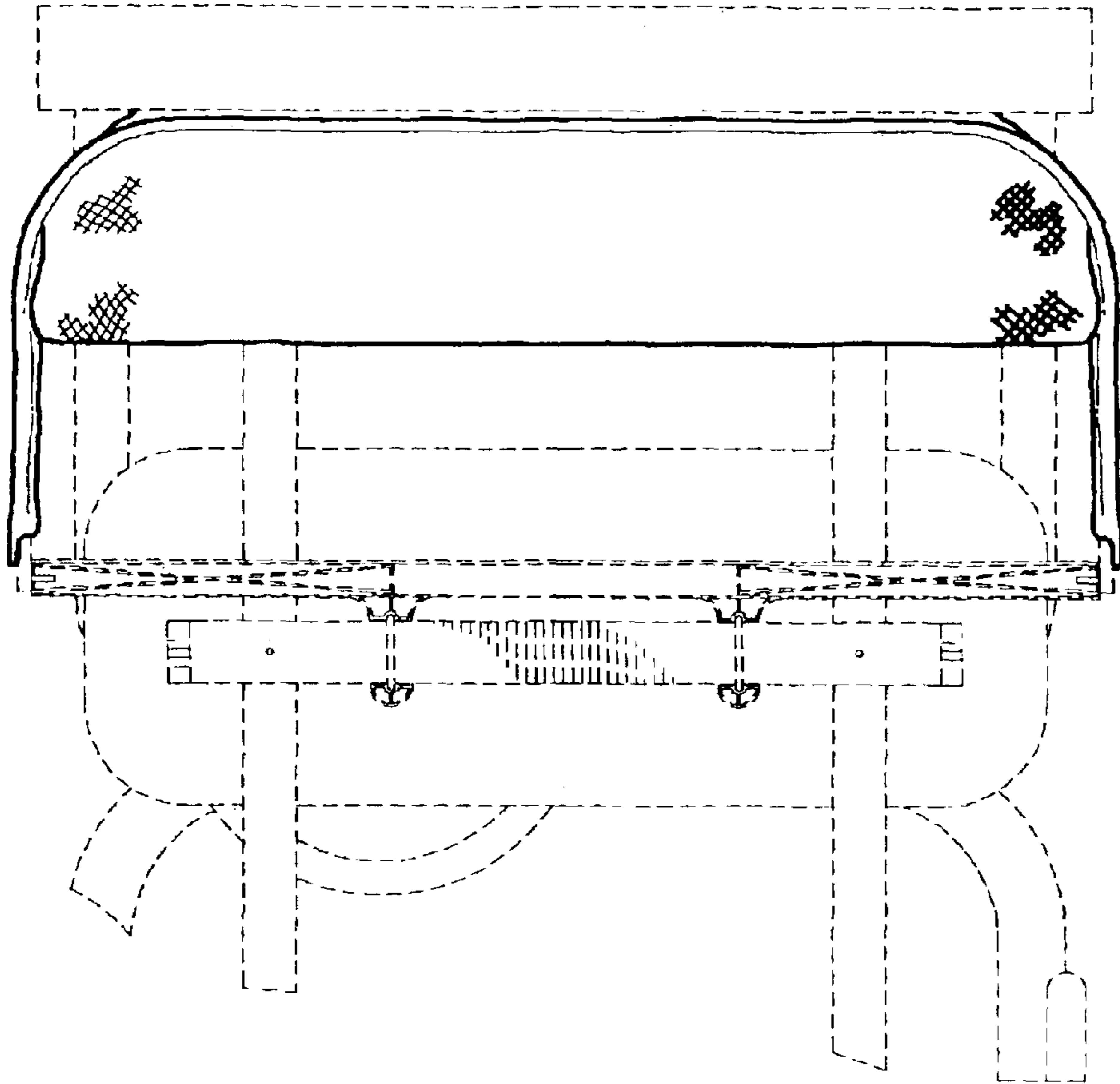


FIG. 3

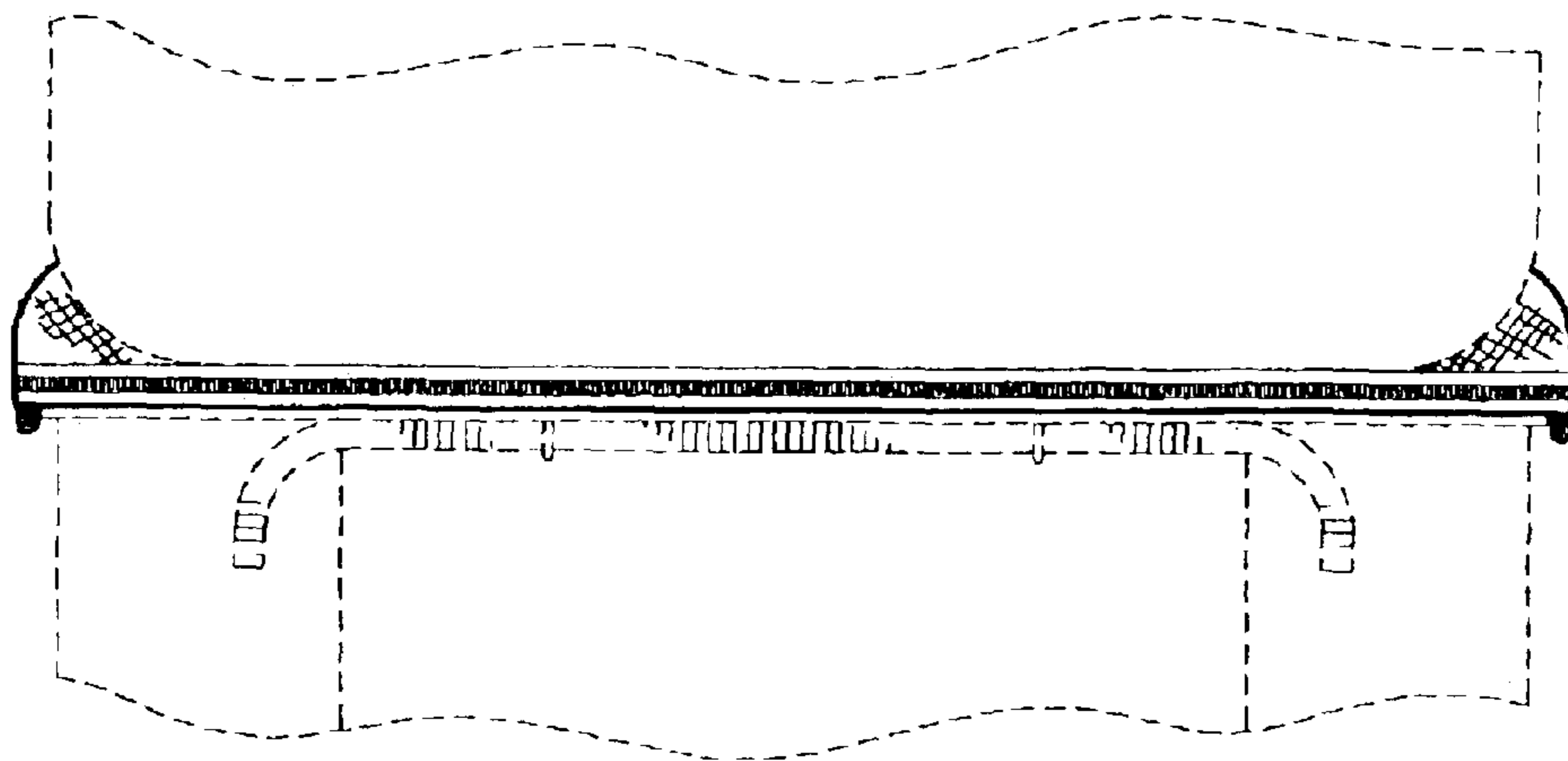


FIG. 4