



US00D497581S1

(12) **United States Design Patent**  
**Conway et al.**

(10) **Patent No.: US D497,581 S**  
(45) **Date of Patent: \*\* Oct. 26, 2004**

(54) **TRUCK HOOD**  
(75) Inventors: **Scott M. Conway**, Flower Mound, TX  
(US); **Louis D. Heilaneh**, Lewisville,  
TX (US)

D454,526 S 3/2002 Conway ..... D12/185  
D454,820 S 3/2002 Conway ..... D12/185  
D455,989 S 4/2002 Conway ..... D12/185  
D466,450 S \* 12/2002 Maher et al. .... D12/96  
D484,077 S \* 12/2003 Conway et al. .... D12/173  
D488,112 S \* 4/2004 Satou ..... D12/173

(73) Assignee: **PACCAR Inc.**, Bellevue, WA (US)  
(\*\*) Term: **14 Years**

**OTHER PUBLICATIONS**

“SBFA Competitive Overview”, Report, Jan. 25, 2002.  
\* cited by examiner

(21) Appl. No.: **29/191,559**  
(22) Filed: **Oct. 9, 2003**

*Primary Examiner*—Melody N. Brown  
(74) *Attorney, Agent, or Firm*—Sidley Austin Brown &  
Wood LLP

(51) **LOC (7) Cl.** ..... **12-16**  
(52) **U.S. Cl.** ..... **D12/173**  
(58) **Field of Search** ..... D12/173, 96, 93;  
180/89.12–89.14, 89.16

(57) **CLAIM**

The ornamental design for a truck hood, as shown and described.

(56) **References Cited**

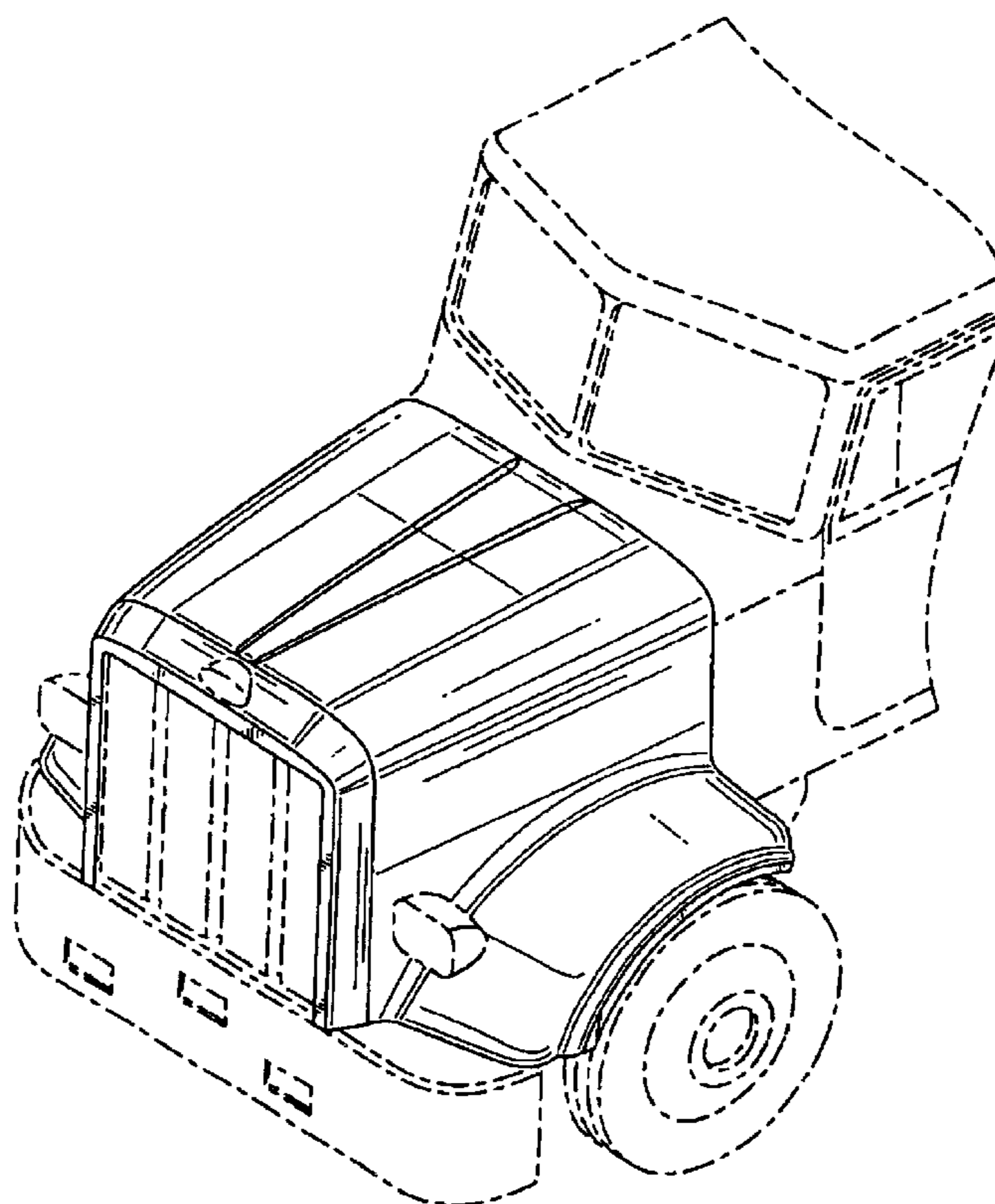
**DESCRIPTION**

**U.S. PATENT DOCUMENTS**

D366,638 S 1/1996 Tucker et al. .... D12/173  
D382,841 S 8/1997 Norwood et al. .... D12/173  
D389,108 S 1/1998 Norwood et al. .... D12/163  
D395,860 S 7/1998 Meryman et al. .... D12/173  
D403,636 S 1/1999 Meryman et al. .... D12/173  
D411,494 S 6/1999 Meryman et al. .... D12/173  
D422,251 S 4/2000 Bader et al. .... D12/173  
D422,958 S 4/2000 Conway et al. .... D12/197  
D435,816 S 1/2001 Delashaw et al. .... D12/173  
D436,563 S 1/2001 Delashaw et al. .... D12/173  
D453,720 S 2/2002 Conway ..... D12/185

FIG. 1 is a perspective view of a truck hood showing our new design, it being understood that the broken lines are for illustrative purposes only and form no part of the claimed design;  
FIG. 2 is a perspective view thereof having no broken lines;  
FIG. 3 is a top view thereof; and  
FIG. 4 is a front view thereof;  
FIG. 5 is a side view thereof; and,  
FIG. 6 is an opposite side view thereof.

**1 Claim, 4 Drawing Sheets**



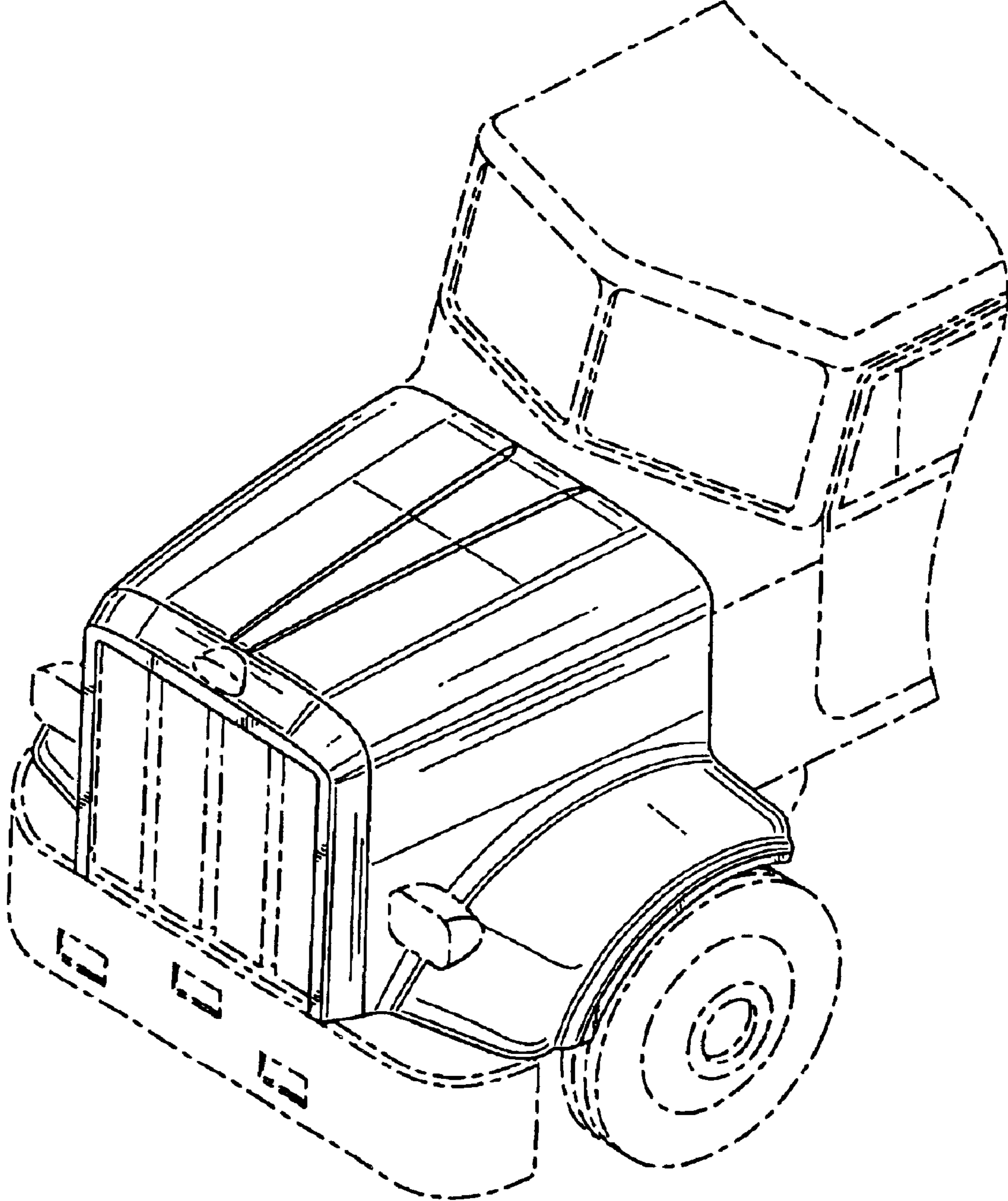


FIG. 1

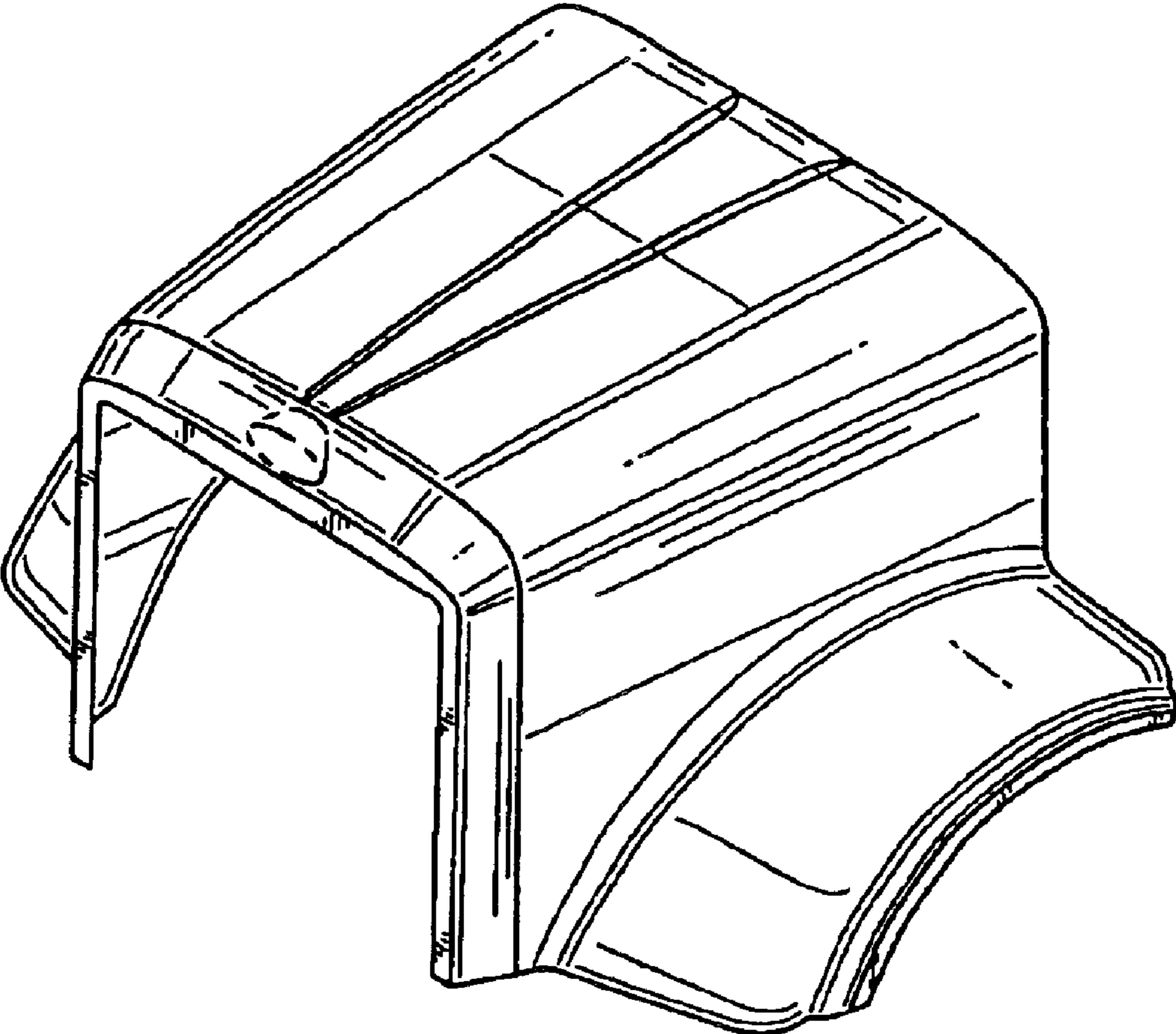


FIG. 2

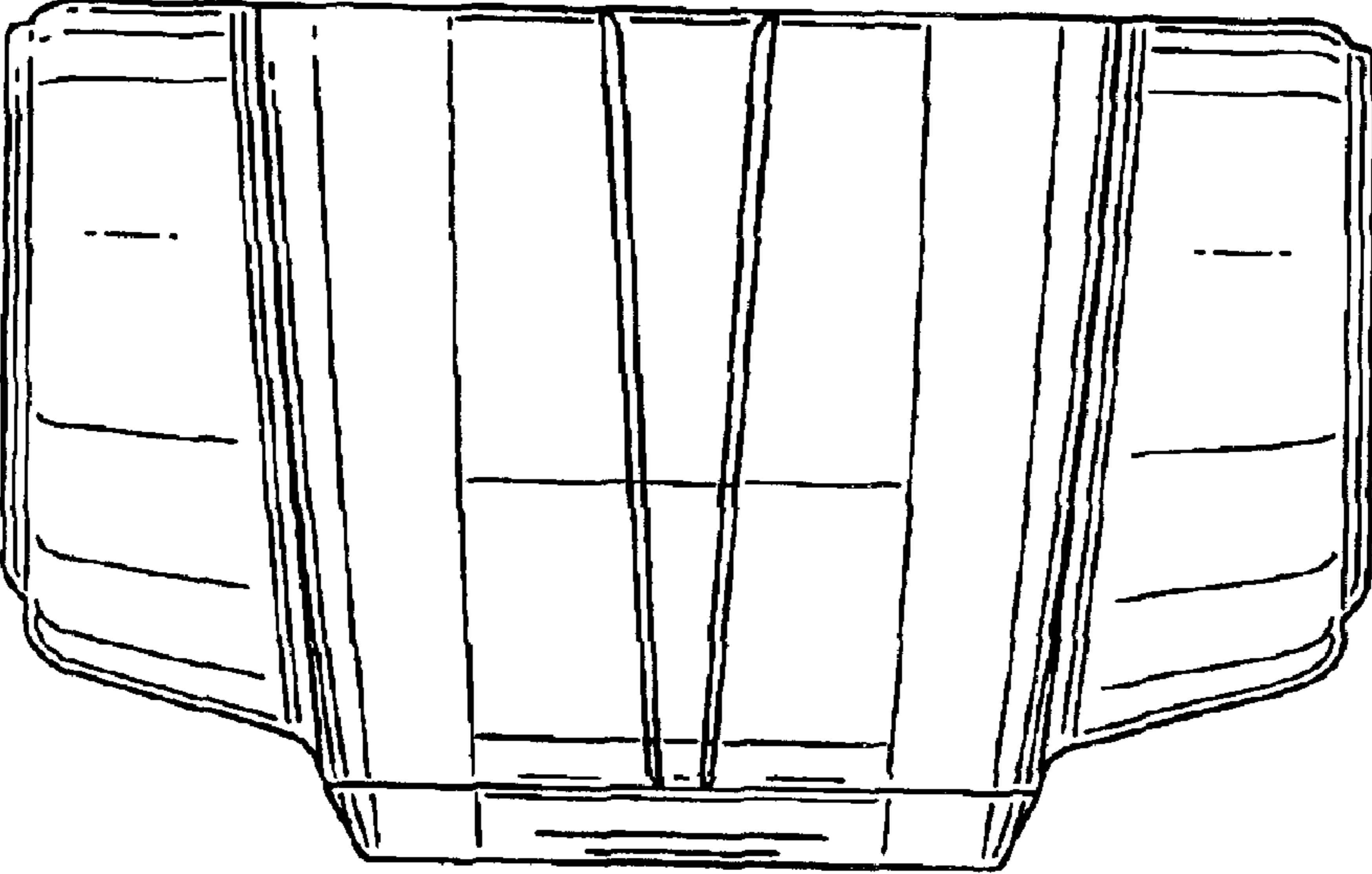


FIG. 3

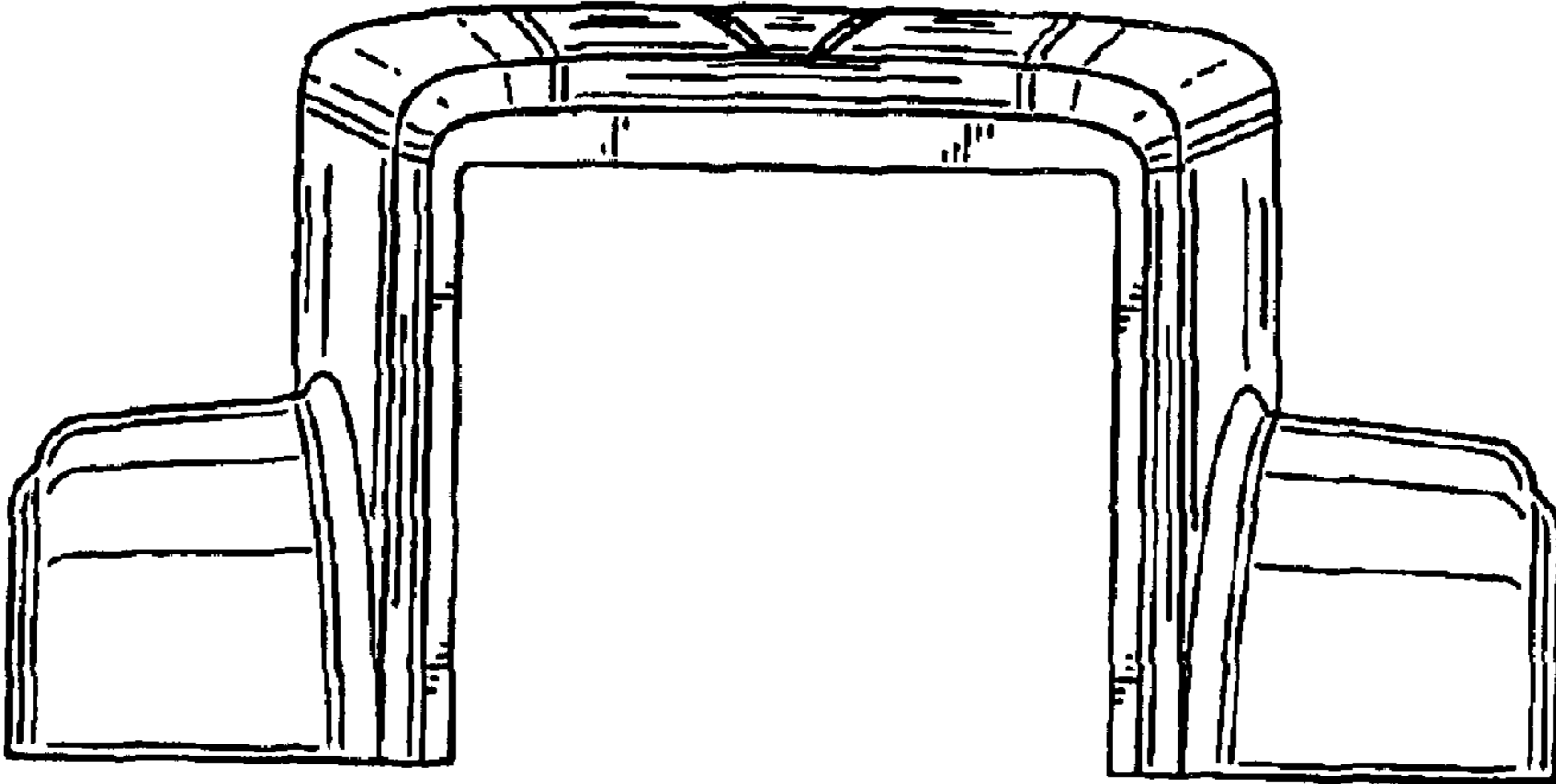


FIG. 4

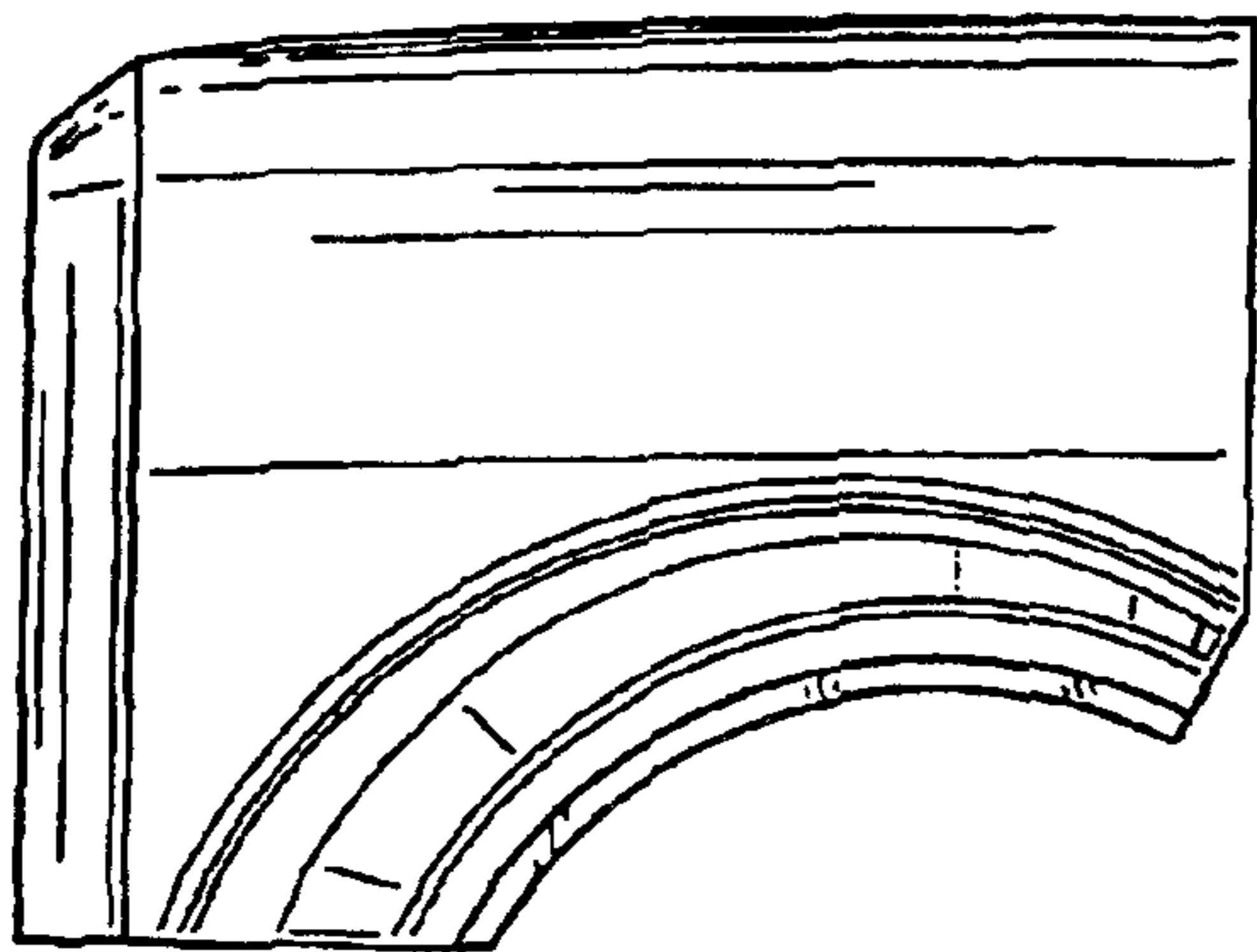


FIG. 5

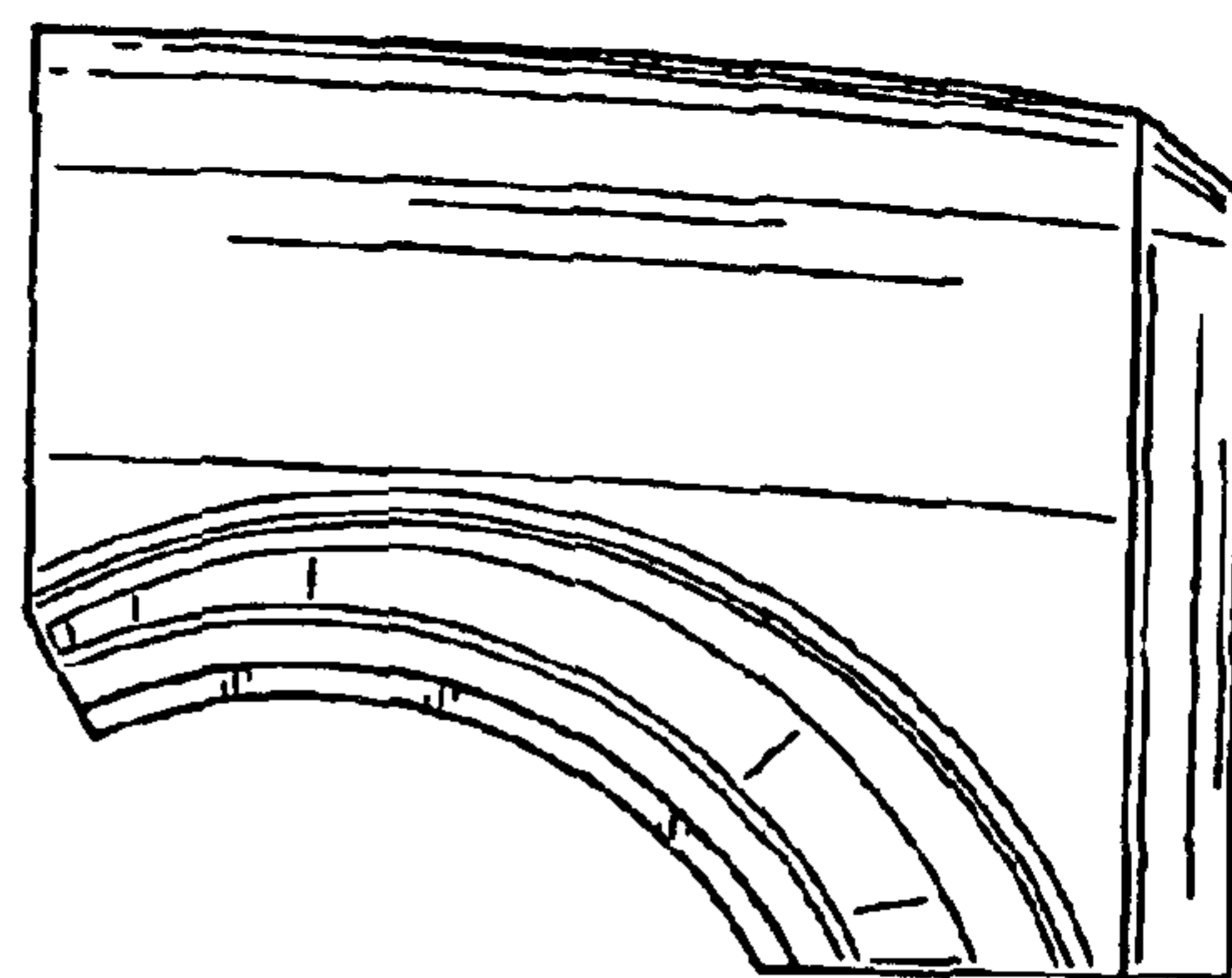


FIG. 6