

US00D497575S1

(12) **United States Design Patent**
Blankenship

(10) **Patent No.:** **US D497,575 S**

(45) **Date of Patent:** **** Oct. 26, 2004**

(54) **BICYCLE FRAME**

D449,808 S 10/2001 Soto

* cited by examiner

(75) **Inventor:** **Frank Blankenship**, Downingtown, PA (US)

Primary Examiner—Alan P. Douglas

Assistant Examiner—Linda Brooks

(73) **Assignee:** **Pacific Cycle, LLC**, Madison, WI (US)

(74) *Attorney, Agent, or Firm*—Brian G. Gilpin; Godfrey & Kahn, S.C.

(**) **Term:** **14 Years**

(57) **CLAIM**

(21) **Appl. No.:** **29/187,590**

The ornamental design for a bicycle frame, as shown and described.

(22) **Filed:** **Aug. 4, 2003**

DESCRIPTION

(51) **LOC (7) Cl.** **12-11**

FIG. 1 is a perspective view of a bicycle frame showing my new design;

(52) **U.S. Cl.** **D12/111**

FIG. 2 is a top view of the bicycle frame of FIG. 1;

(58) **Field of Search** D12/111, 117;

FIG. 3 is a bottom view of the bicycle frame of FIG. 1;

280/281.1, 274-278, 288.1-288.3, 311, 312

FIG. 4 is a left side view of the bicycle frame of FIG. 1;

FIG. 5 is a right side view of the bicycle frame of FIG. 1;

FIG. 6 is a front view of the bicycle frame of FIG. 1; and,

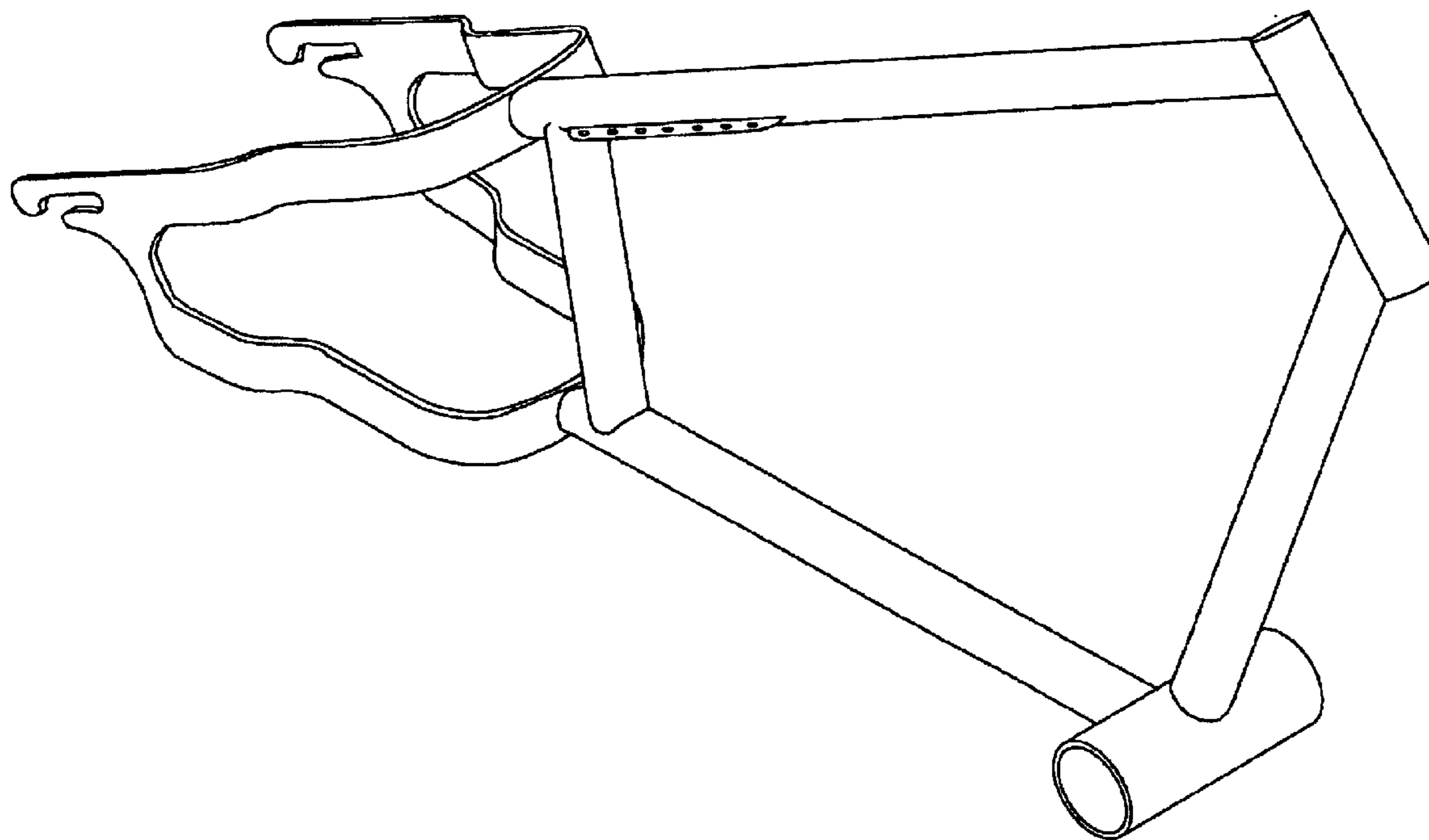
FIG. 7 is a rear view of the bicycle frame of FIG. 1.

(56) **References Cited**

U.S. PATENT DOCUMENTS

1 Claim, 7 Drawing Sheets

D419,110 S * 1/2000 Allen et al. D12/111



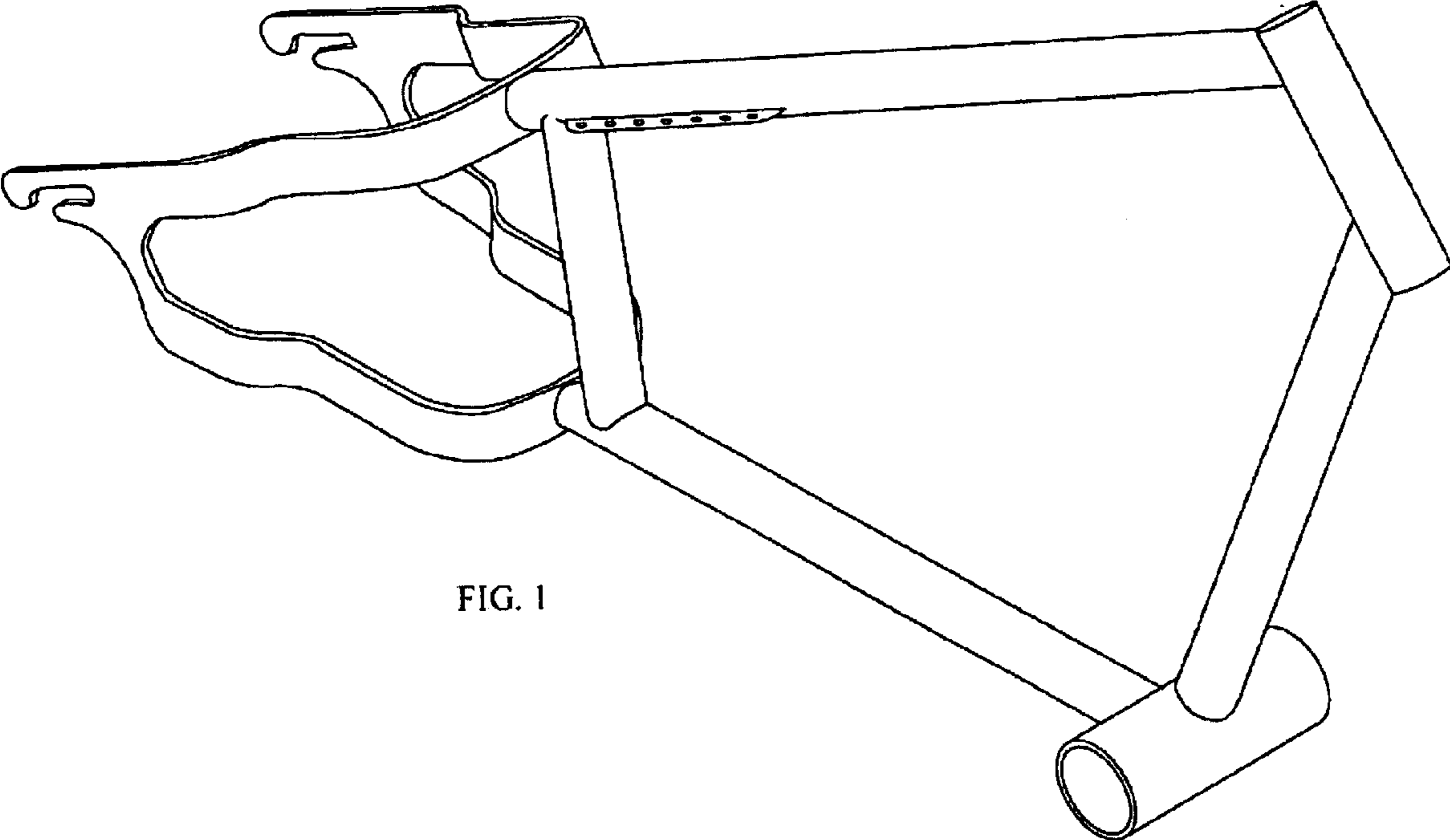


FIG. 1

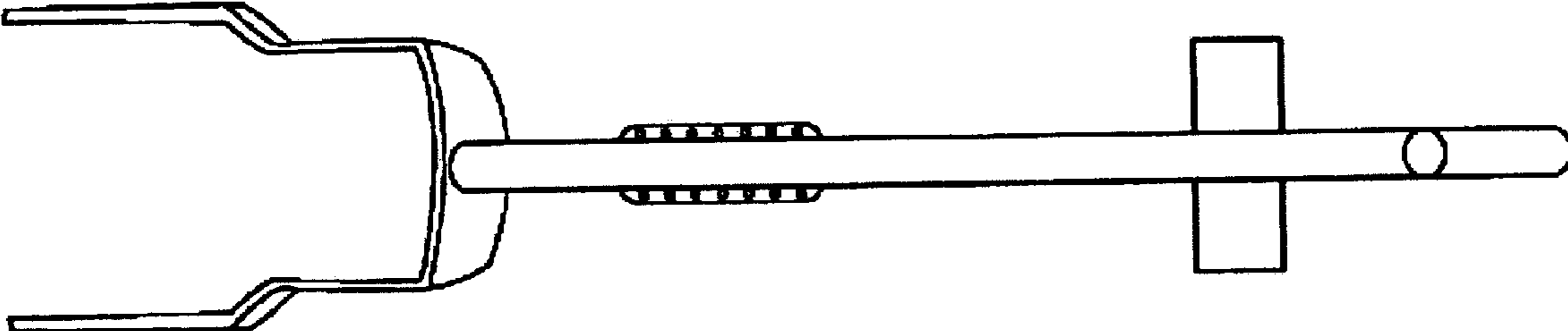


FIG. 2

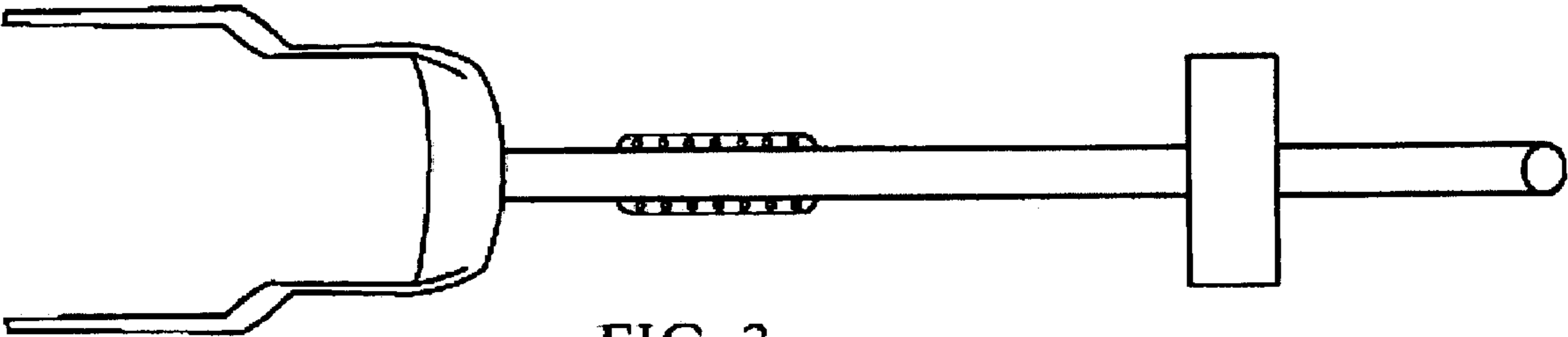


FIG. 3

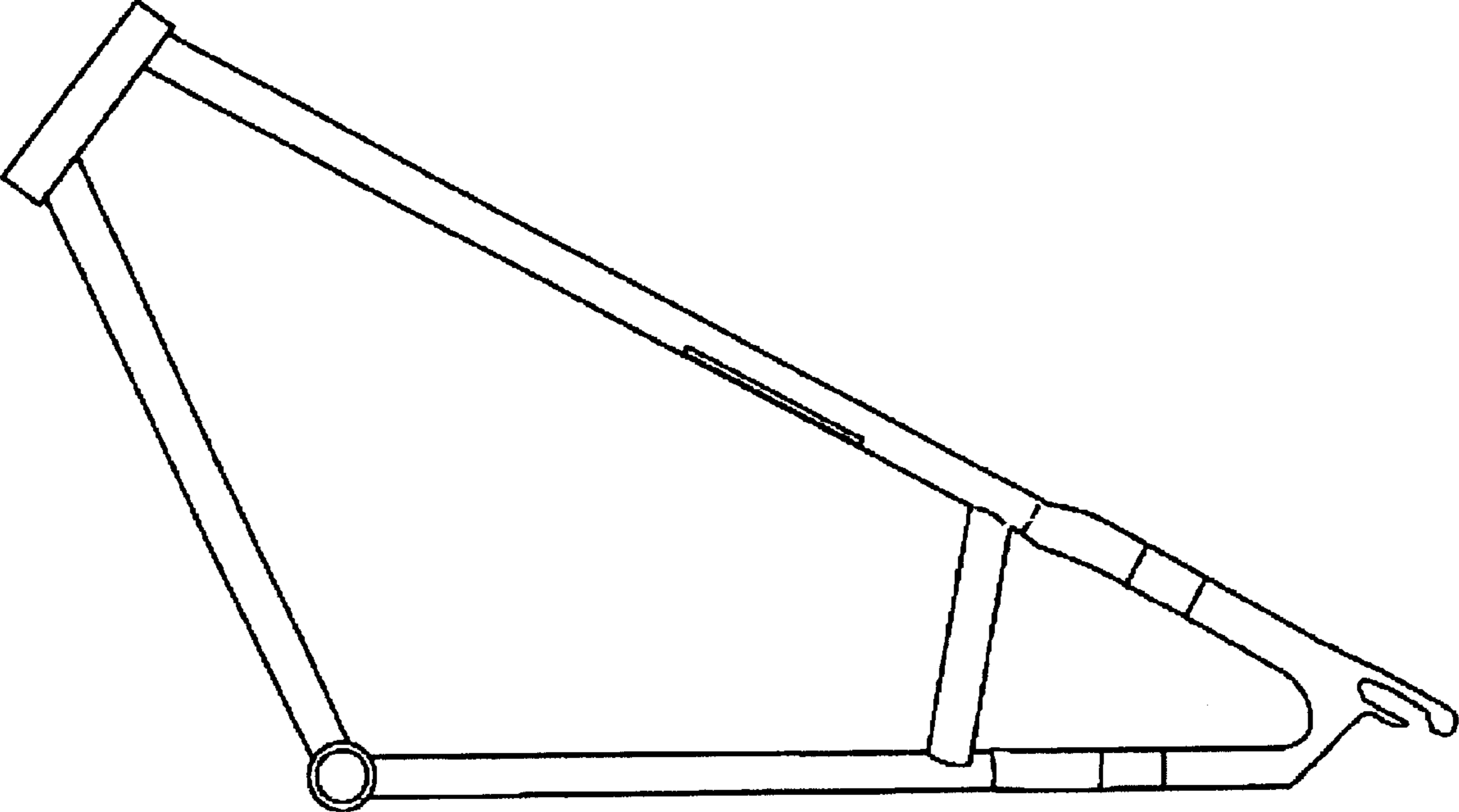


FIG. 4

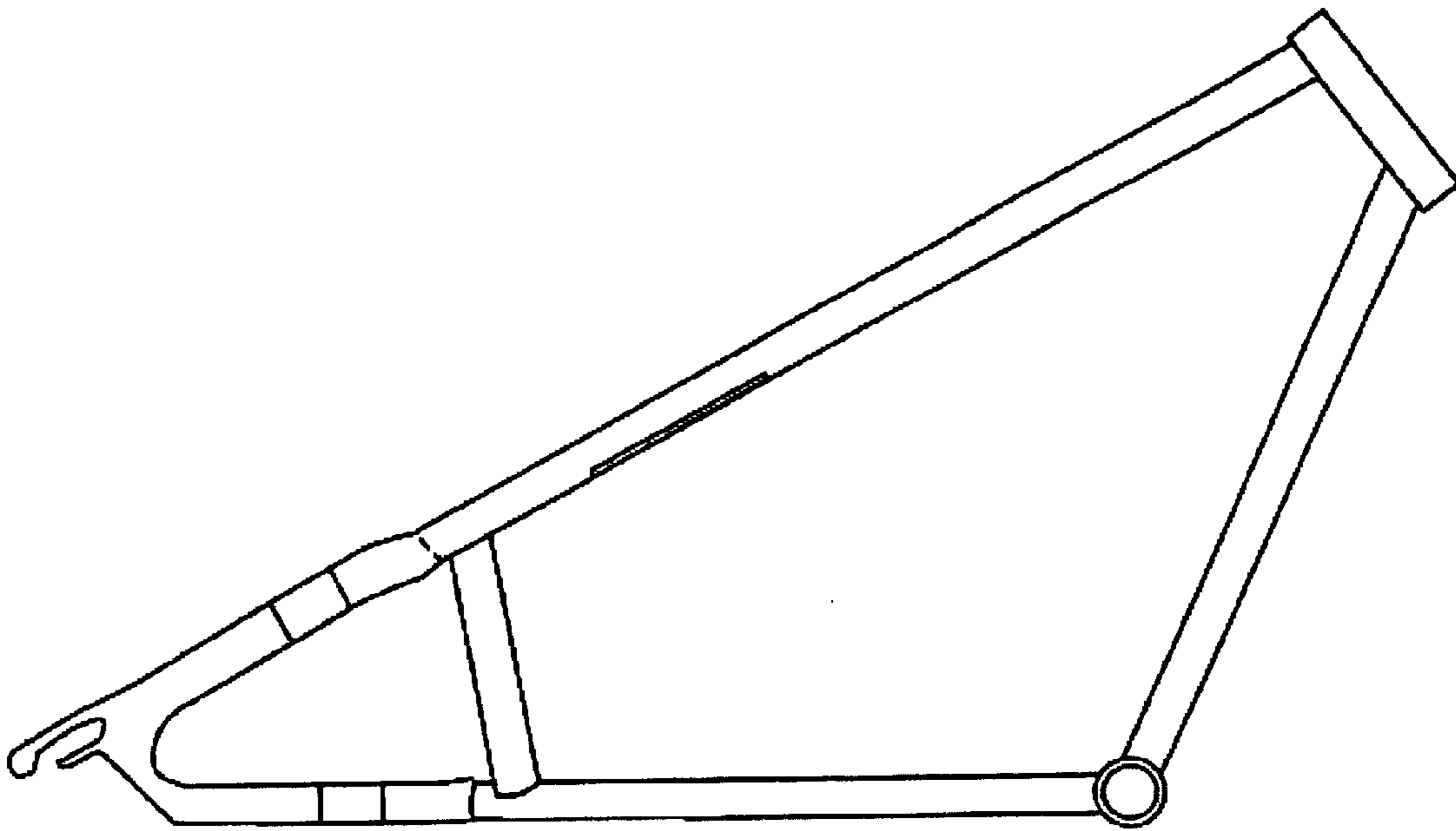


FIG. 5

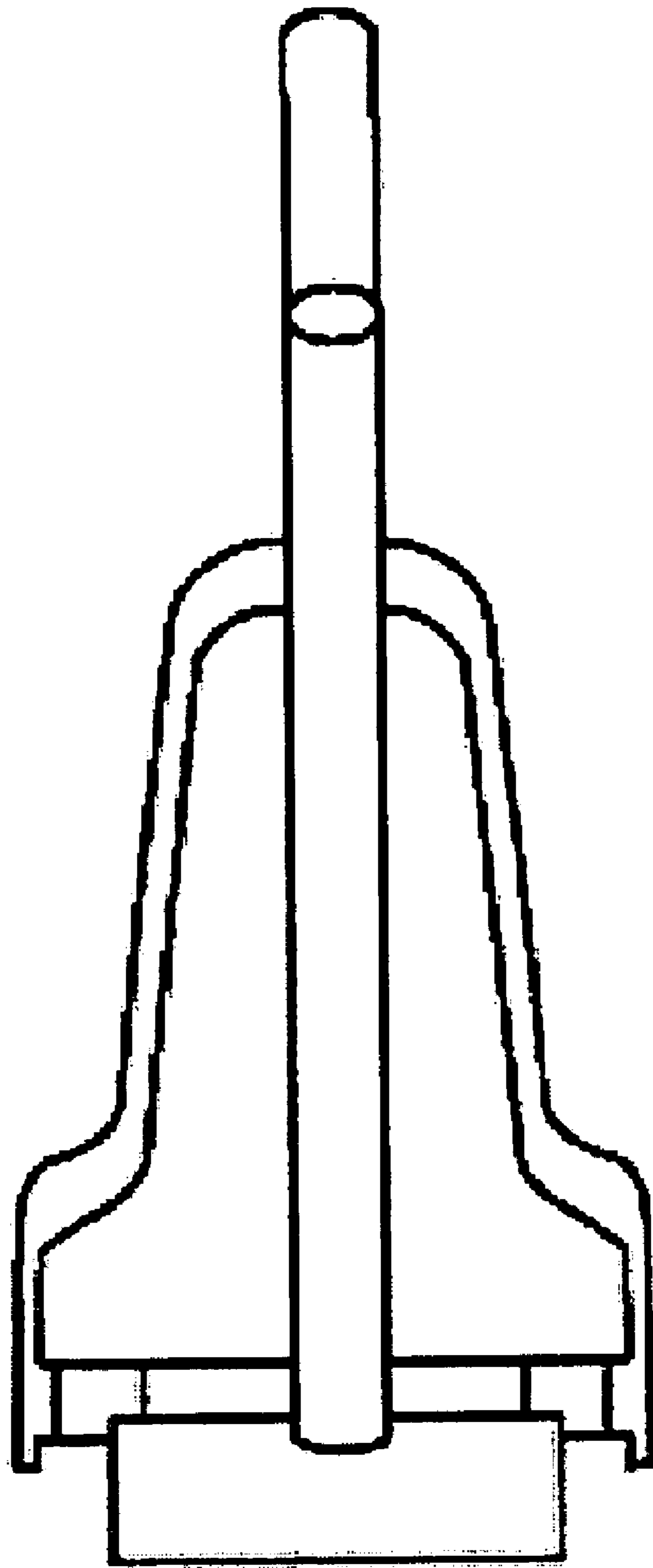


FIG. 6

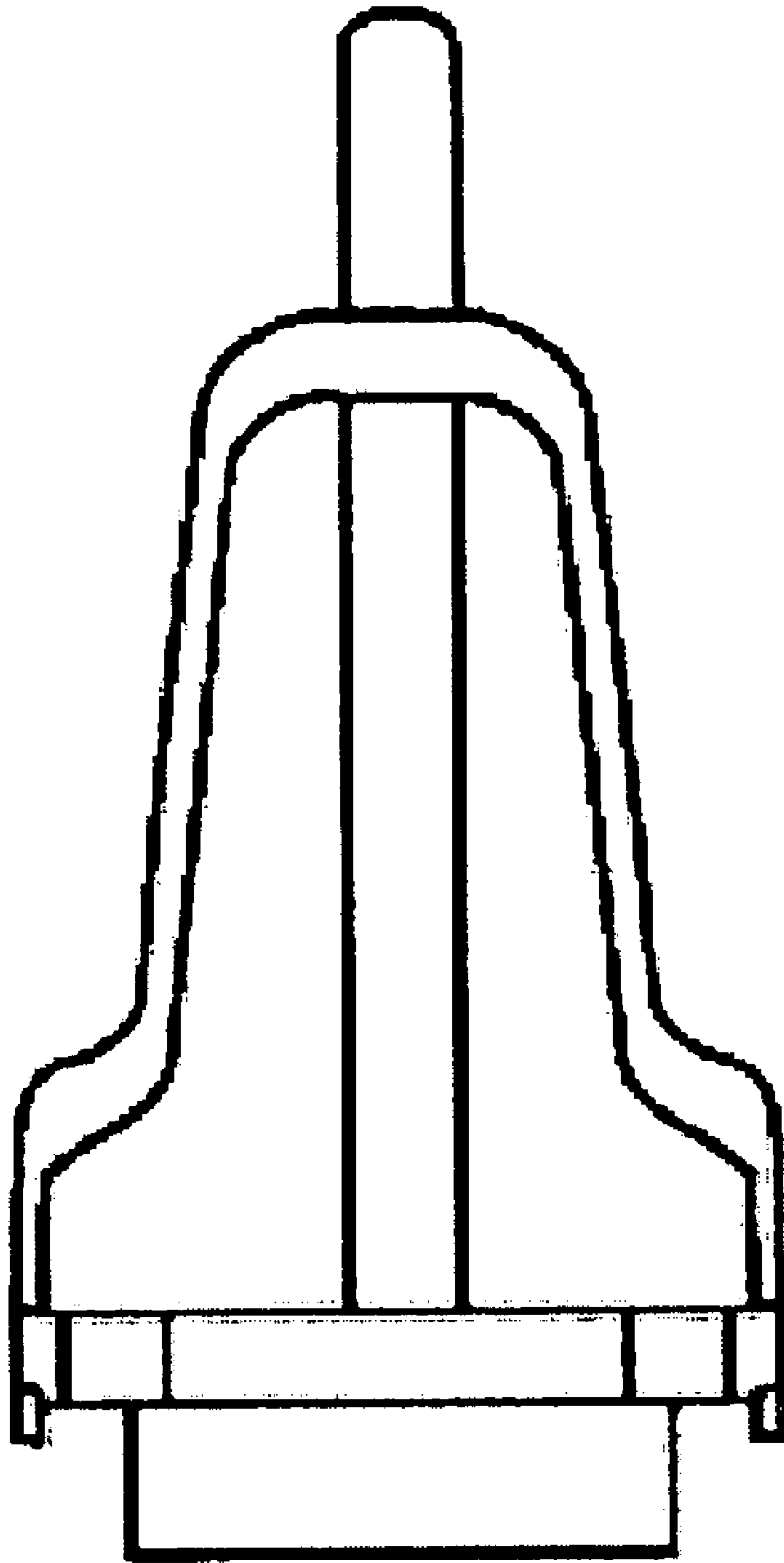


FIG. 7