

US00D497574S1

(12) **United States Design Patent**
Yamabe

(10) **Patent No.:** **US D497,574 S**
(45) **Date of Patent:** **** Oct. 26, 2004**

(54) **BICYCLE**

(75) Inventor: **Hideyasu Yamabe**, Osaka (JP)

(73) Assignee: **J.D. Corporation**, Chang Hus Hsien (TW)

(**) Term: **14 Years**

(21) Appl. No.: **29/185,762**

(22) Filed: **Jul. 3, 2003**

(51) **LOC (7) Cl.** **12-11**

(52) **U.S. Cl.** **D12/111**

(58) **Field of Search** D12/111; 280/274-278, 280/283-287

(56) **References Cited**

U.S. PATENT DOCUMENTS

D273,484 S	*	4/1984	Herbert	D12/111
D283,606 S	*	4/1986	Moulton	D12/111
D306,841 S	*	3/1990	Hellestam et al.	D12/111

* cited by examiner

Primary Examiner—Alan P. Douglas
Assistant Examiner—Linda Brooks
(74) *Attorney, Agent, or Firm*—Browdy and Neimark, P.L.L.C.

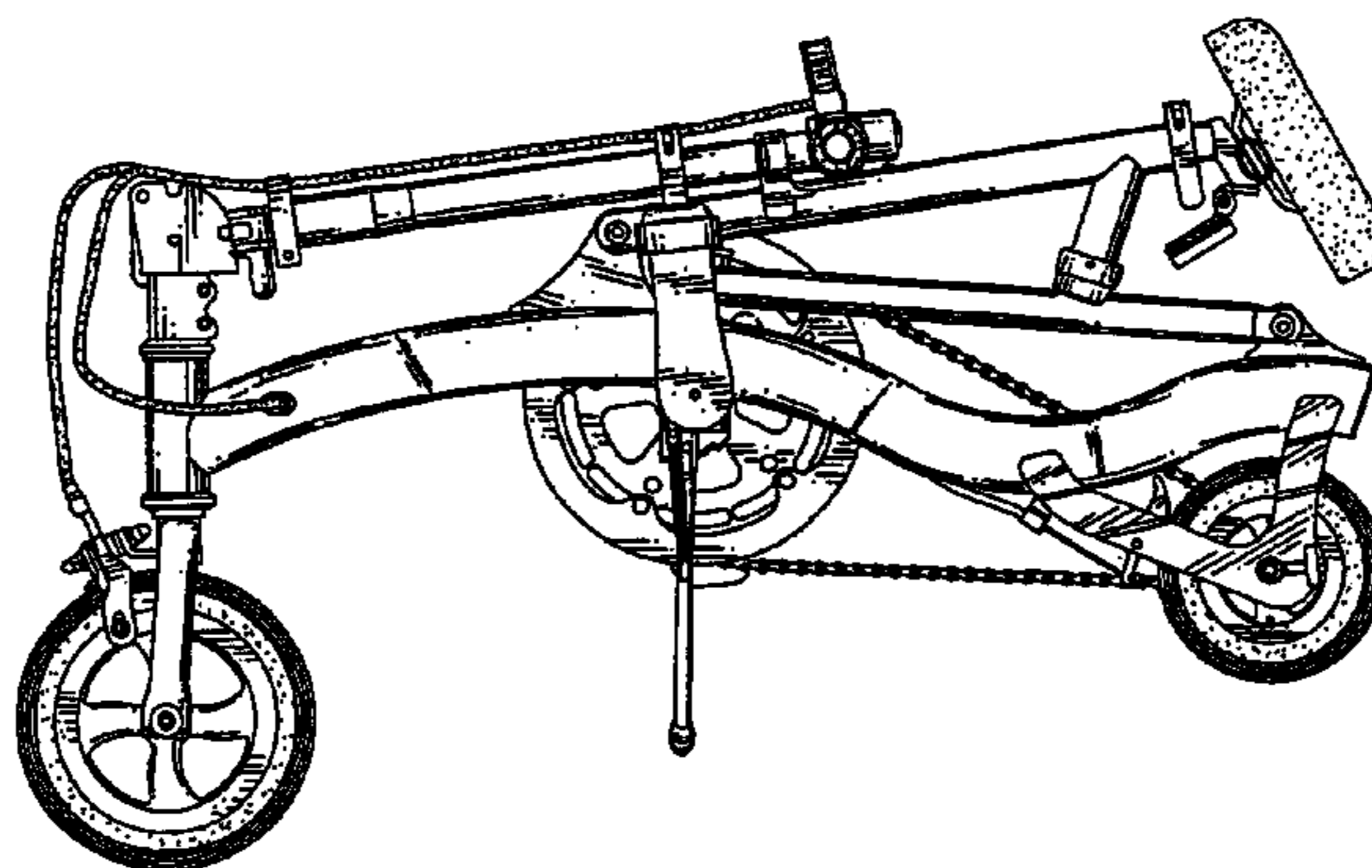
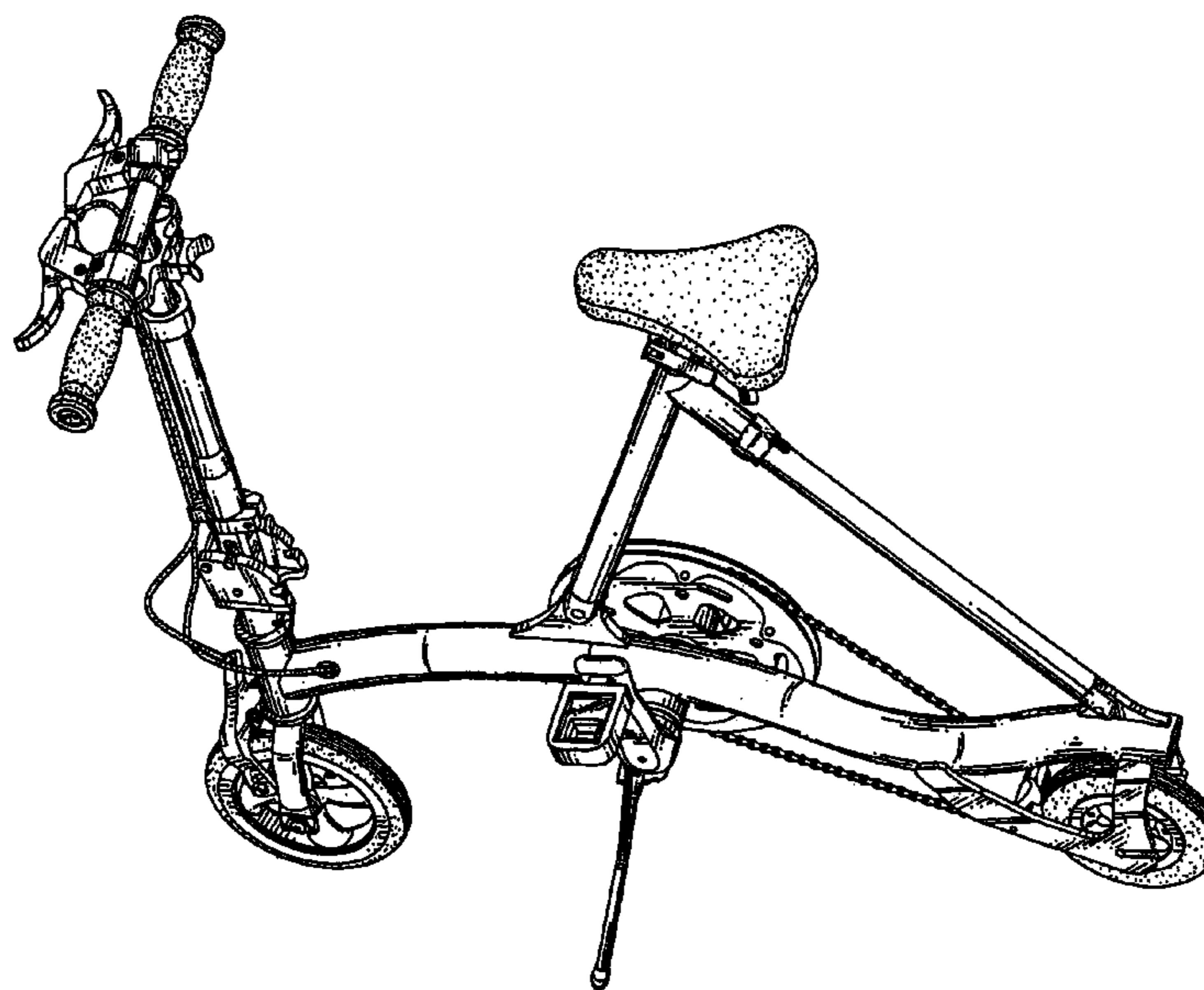
(57) **CLAIM**

The ornamental design for a bicycle, as shown and described.

DESCRIPTION

FIG. 1 shows a perspective view of the present design.
FIG. 2 shows a right side elevational view of the present design.
FIG. 3 shows a top plan view of the present design.
FIG. 4 shows a front elevational view of the present design.
FIG. 5 shows a bottom plan view of the present design.
FIG. 6 shows a left side elevational view of the present design.
FIG. 7 shows a rear elevational view of the present design; and,
FIG. 8 shows a perspective view of the present design in the folding position.

1 Claim, 8 Drawing Sheets



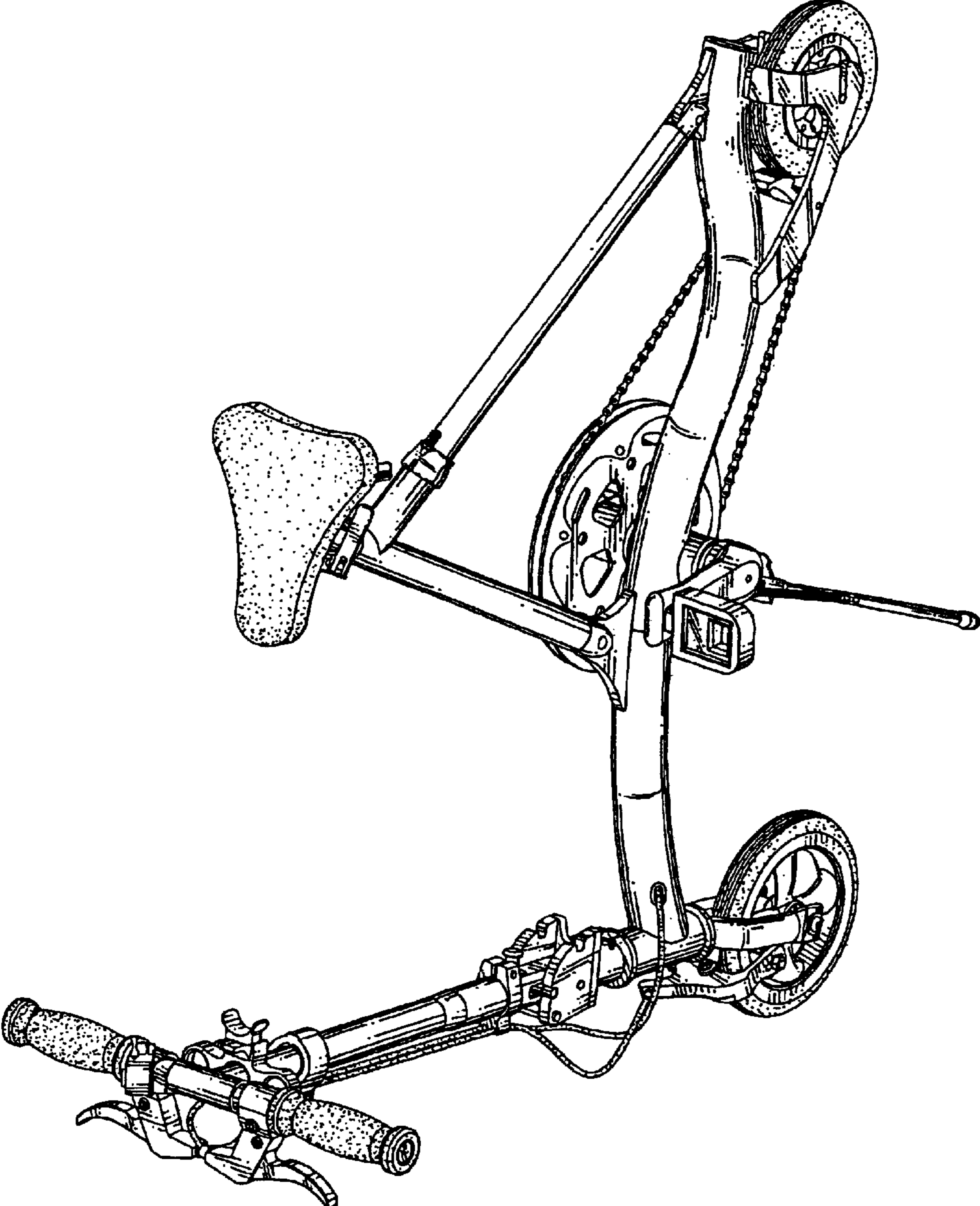


FIG. 1

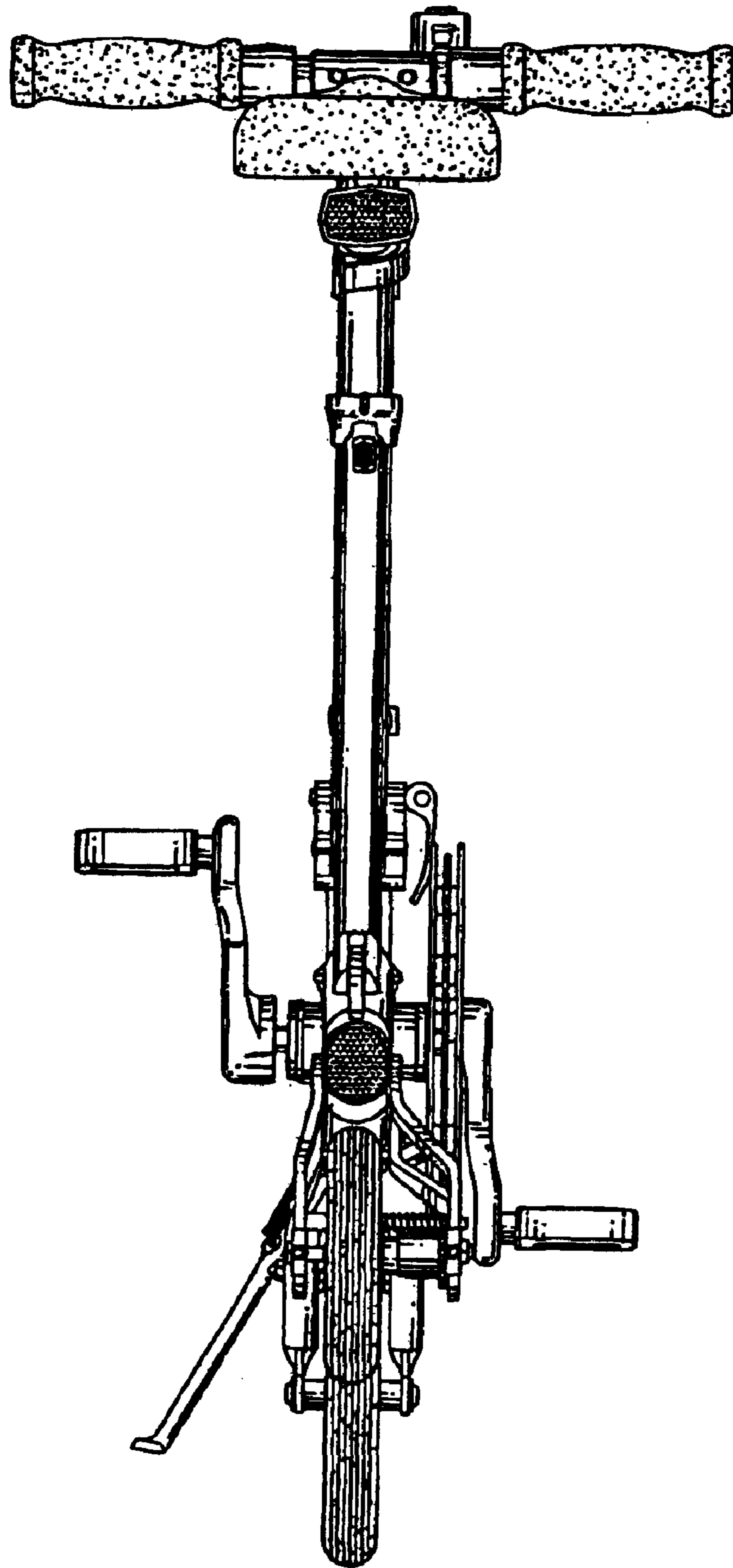


FIG. 2

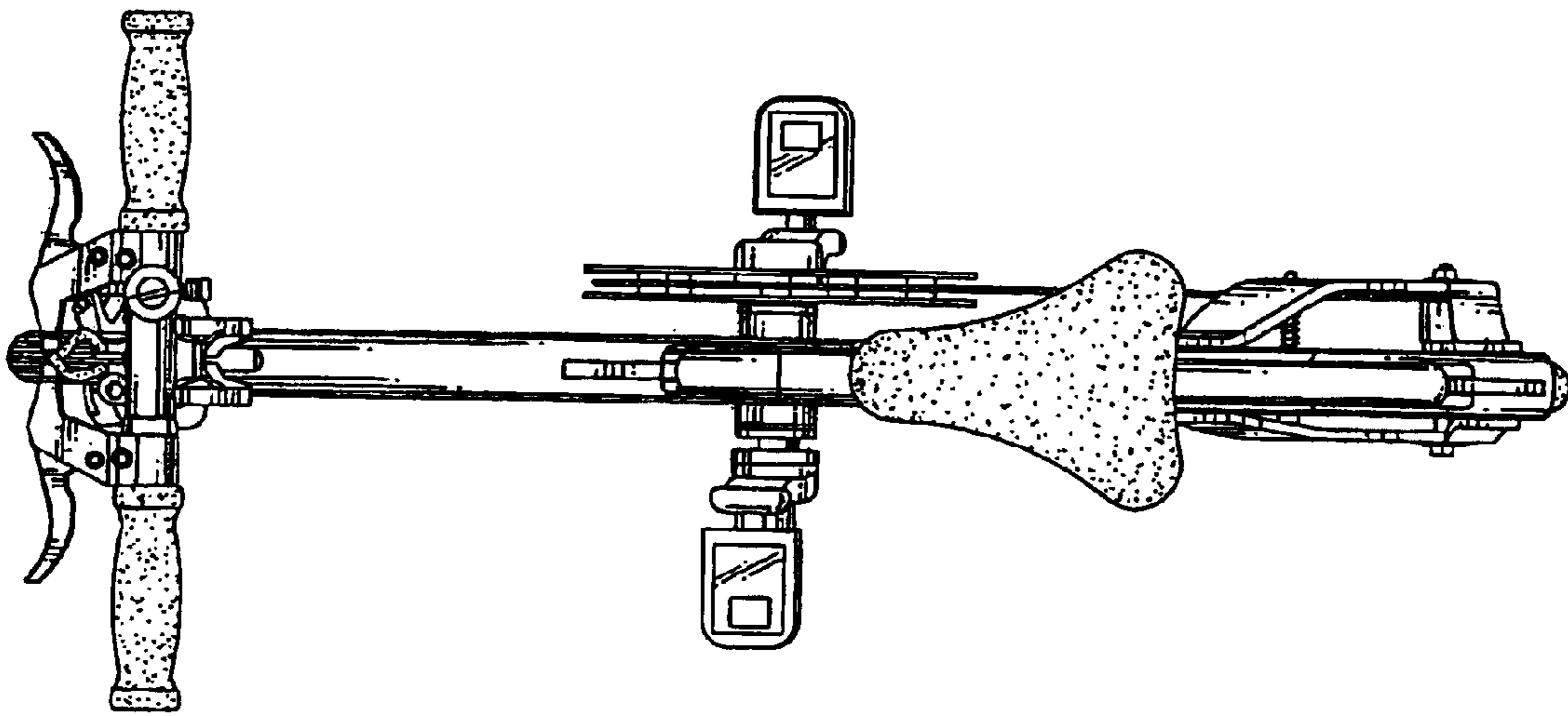


FIG. 3

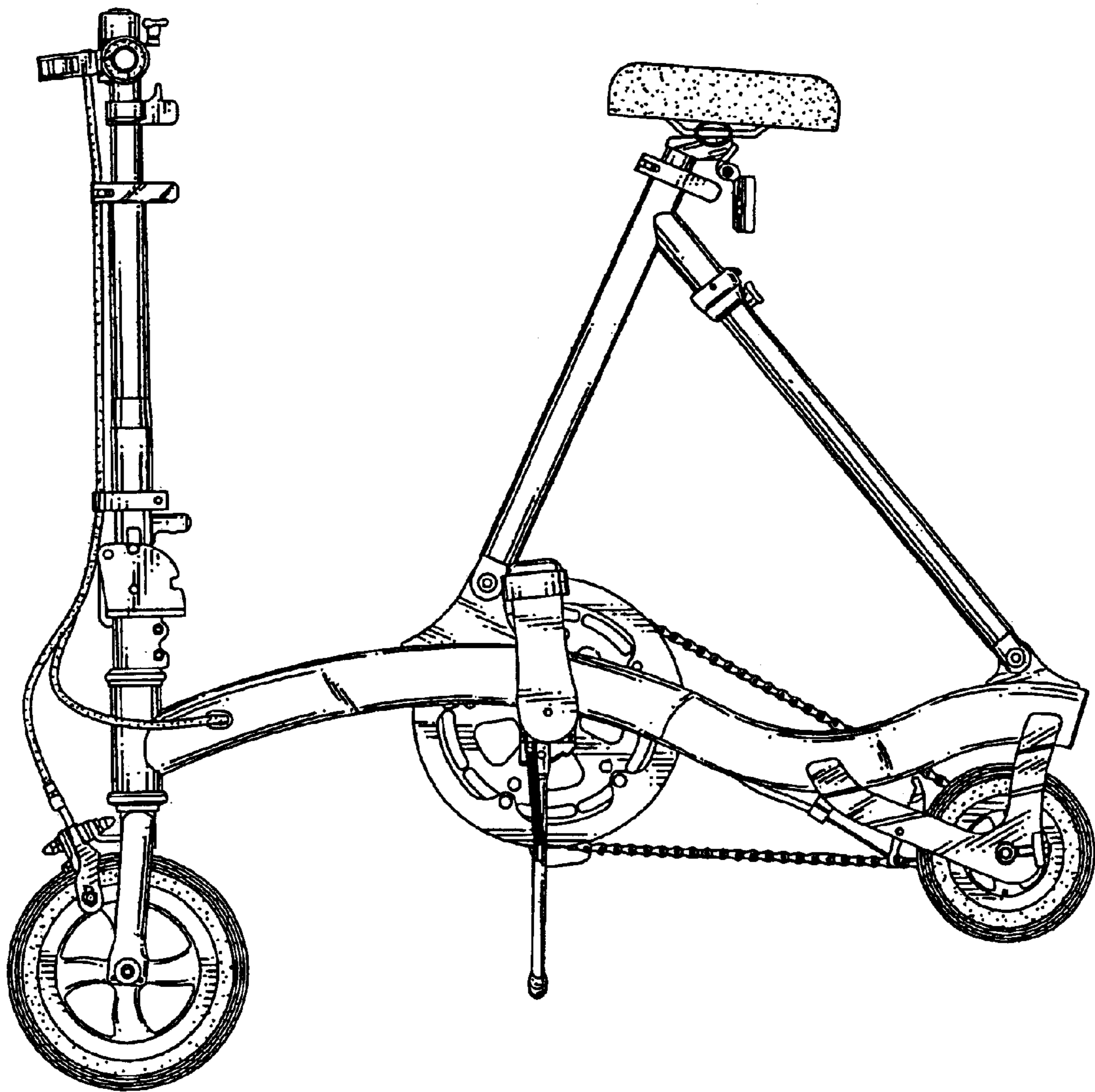


FIG. 4

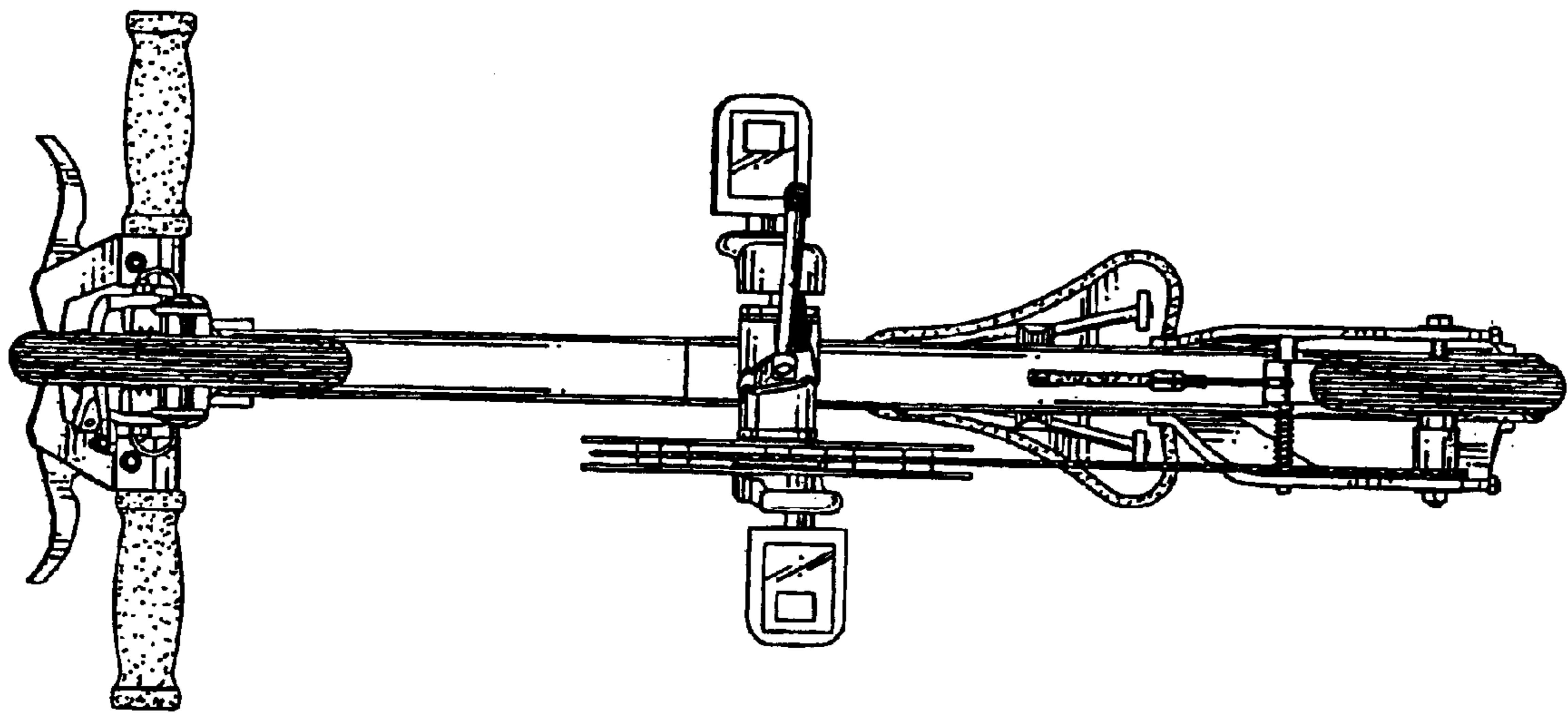


FIG. 5

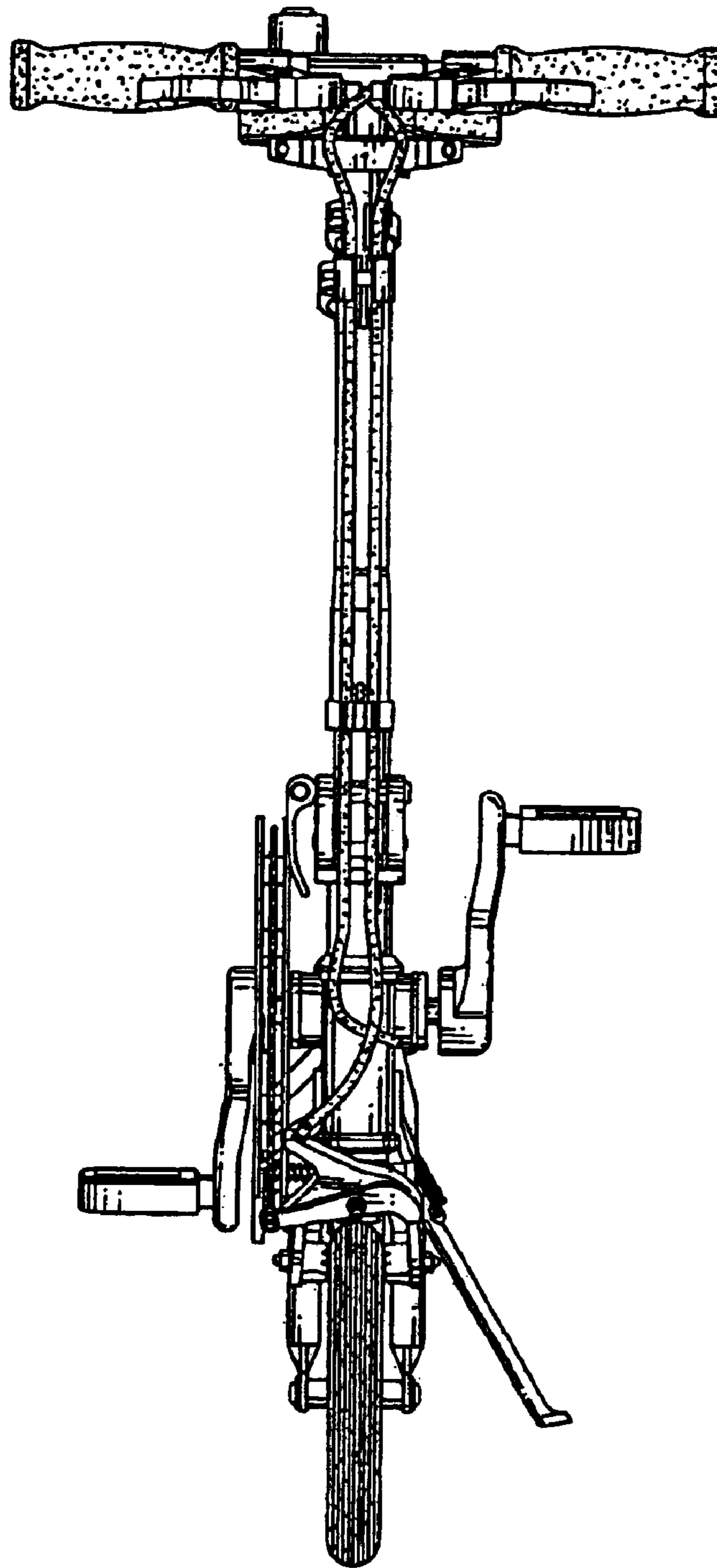


FIG. 6

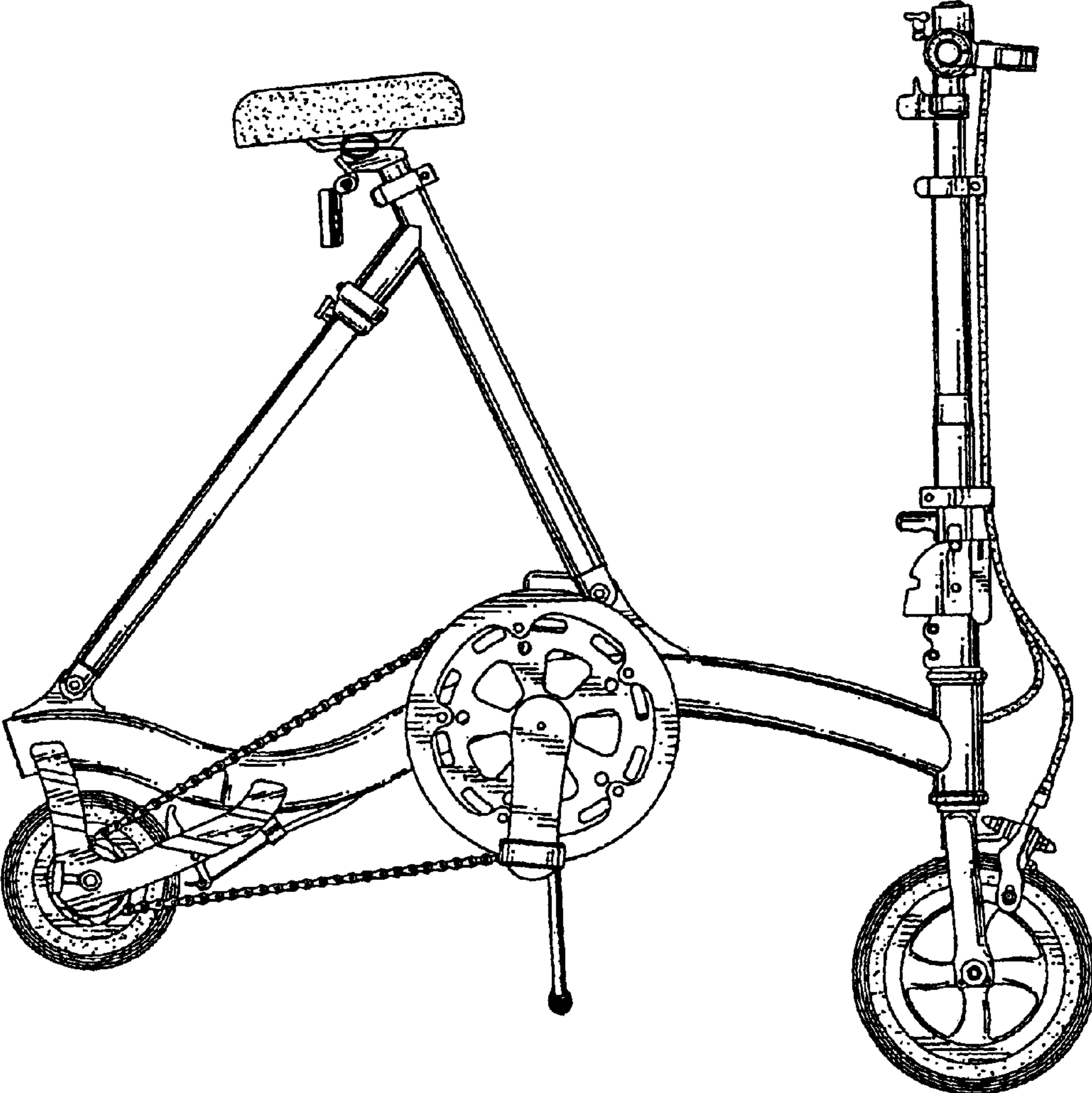


FIG. 7

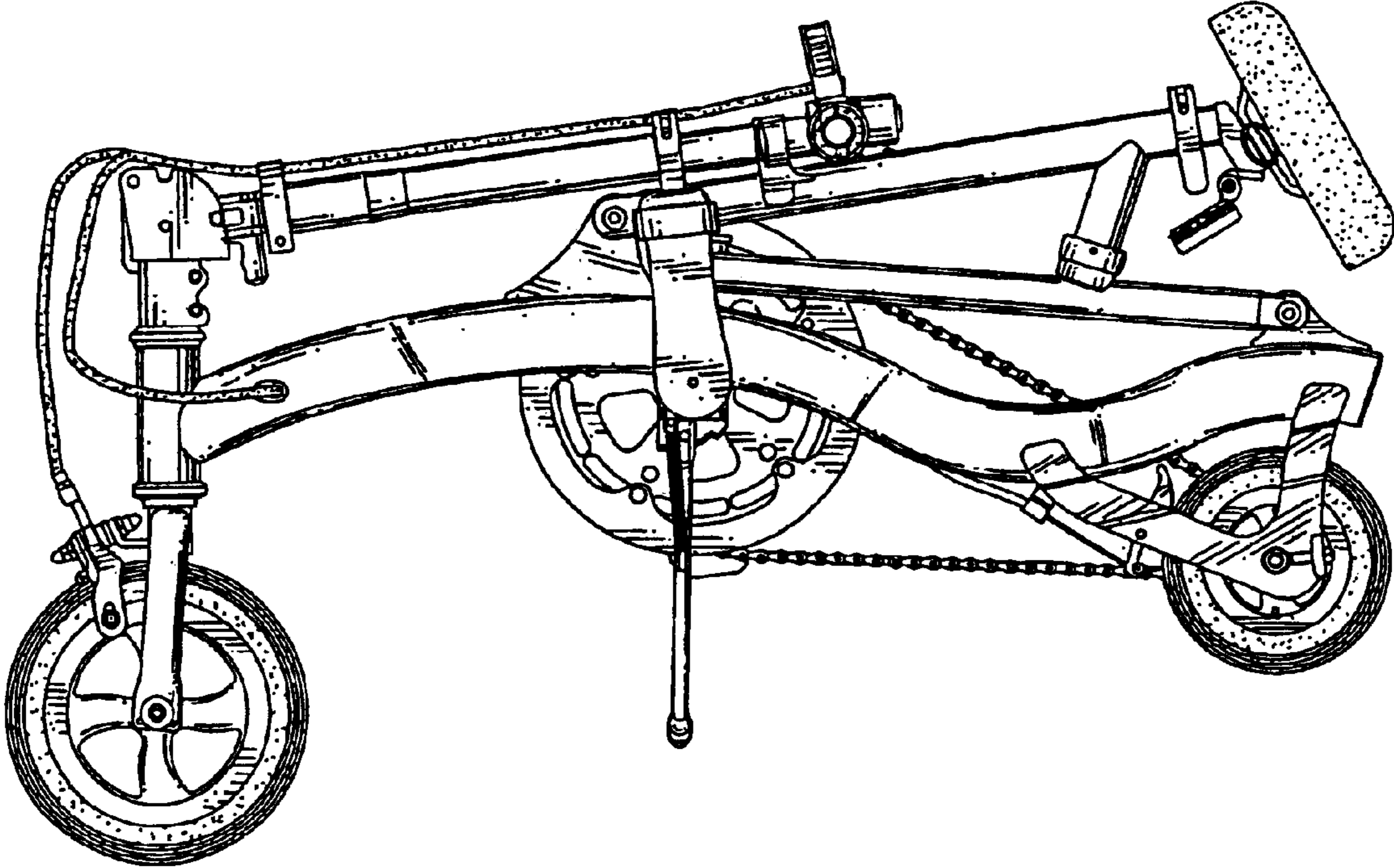


FIG. 8